



US00D641747S

(12) **United States Design Patent**
Gisborne

(10) **Patent No.:** **US D641,747 S**

(45) **Date of Patent:** **** Jul. 19, 2011**

(54) **BOAT**

(76) **Inventor:** **Montgomery Scott Gisborne, Brechin (CA)**

(**) **Term:** **14 Years**

(21) **Appl. No.:** **29/353,798**

(22) **Filed:** **Jan. 14, 2010**

(51) **LOC (9) Cl.** **12-06**

(52) **U.S. Cl.** **D14/300**

(58) **Field of Classification Search** D12/300,
D12/301, 303-306, 310-318; D21/542-544;
114/61.1, 61.14, 61.2, 61.22, 61.24, 343,
114/352, 355, 356, 357, 361

See application file for complete search history.

(56) **References Cited**

U.S. PATENT DOCUMENTS

2,339,782 A	1/1944	Johnson	
3,134,113 A *	5/1964	Boyington et al.	114/356
3,210,783 A *	10/1965	Petty	114/61.22
3,857,352 A *	12/1974	Schott	114/61.2
D292,509 S *	10/1987	Curiel	D12/316
D298,310 S *	11/1988	Robbins	D12/306
D315,138 S	3/1991	Simpkins et al.	
5,016,558 A	5/1991	Oehler	
D341,811 S *	11/1993	Pepper	D12/314
5,279,249 A *	1/1994	Pepper	114/356
5,355,828 A *	10/1994	Pepper	114/355
D369,337 S *	4/1996	Stevens	D12/316
5,518,205 A	5/1996	Wurst et al.	
D378,507 S *	3/1997	Schafer et al.	D12/316

5,931,114 A	8/1999	Bartholomew	
D416,852 S *	11/1999	Clarke	D12/310
6,000,353 A	12/1999	Leu	
6,029,598 A	2/2000	Stoll	
6,105,524 A	8/2000	Dane	
6,325,013 B1	12/2001	Brown	
D516,495 S *	3/2006	Menne	D12/300
7,047,902 B1	5/2006	Little	
7,107,926 B2 *	9/2006	Fishburn	114/361
7,270,075 B1 *	9/2007	Jones	114/361
7,430,980 B2 *	10/2008	Fishburn	114/361
7,520,240 B2 *	4/2009	Tufte	114/361
D606,481 S *	12/2009	Stepp	D12/317

* cited by examiner

Primary Examiner — Cynthia M Chin

(74) *Attorney, Agent, or Firm* — Harris Beach PLLC; Neal L. Slifkin

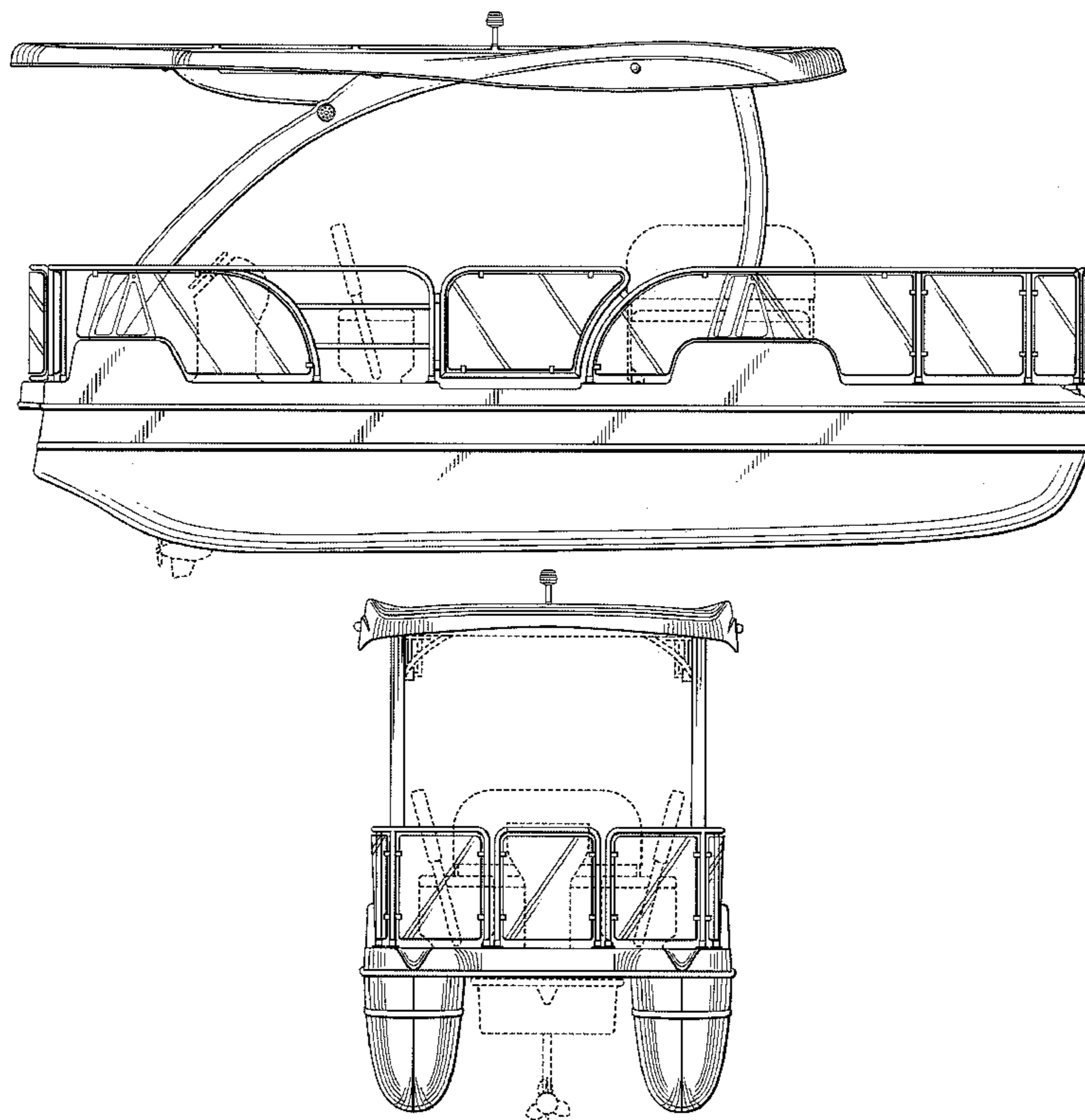
(57) **CLAIM**

The ornamental design for a boat, as shown and described.

DESCRIPTION

FIG. 1 is a right side elevation view of a boat showing my design;
FIG. 2 is a left side elevation view thereof;
FIG. 3 is front elevation view thereof;
FIG. 4 is a rear elevation view thereof;
FIG. 5 is a top plan view thereof; and,
FIG. 6 is a bottom plan view thereof.
The broken lines represent portions of the article that form no part of the claim.

1 Claim, 5 Drawing Sheets



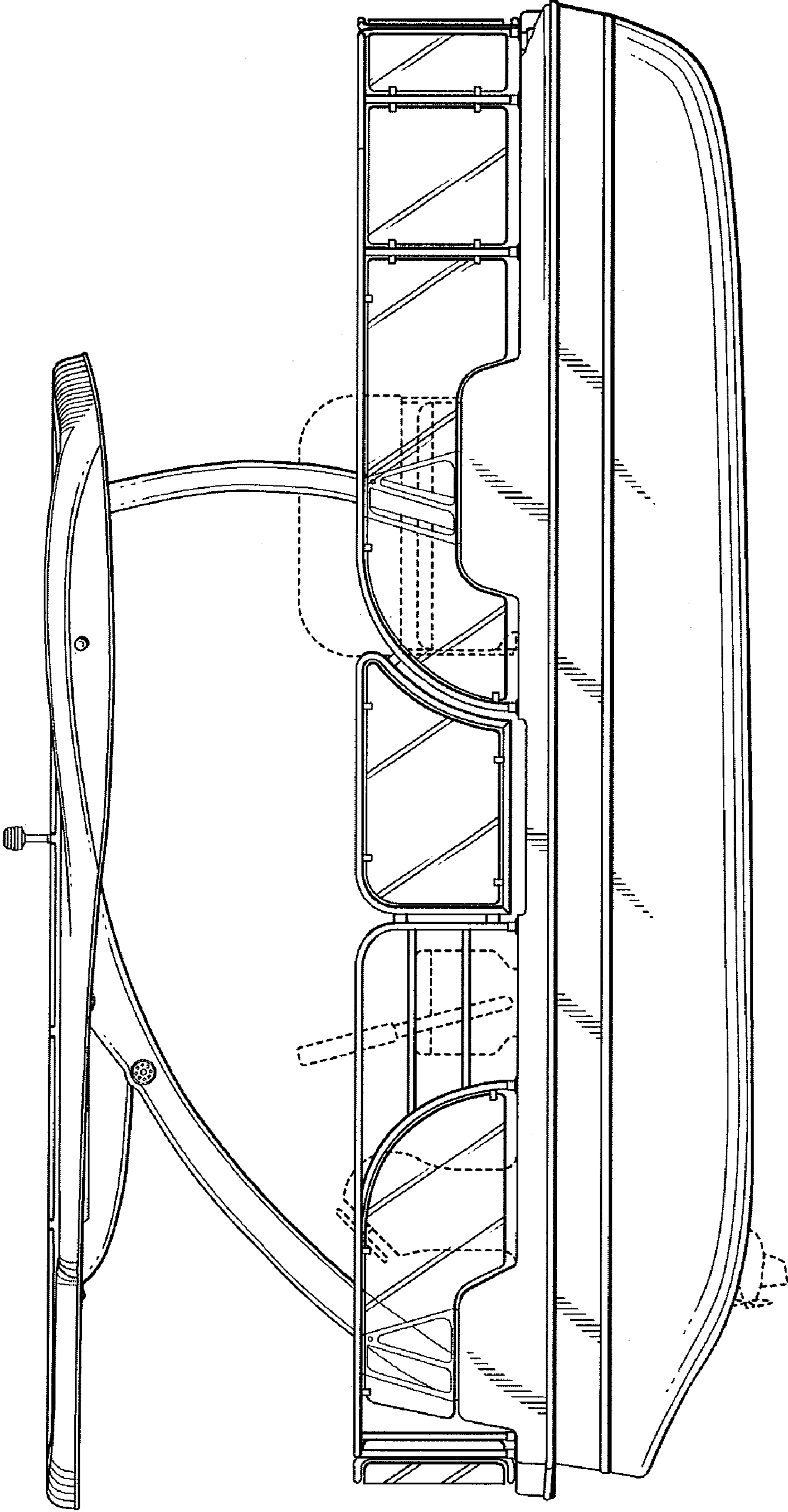


FIG. 1

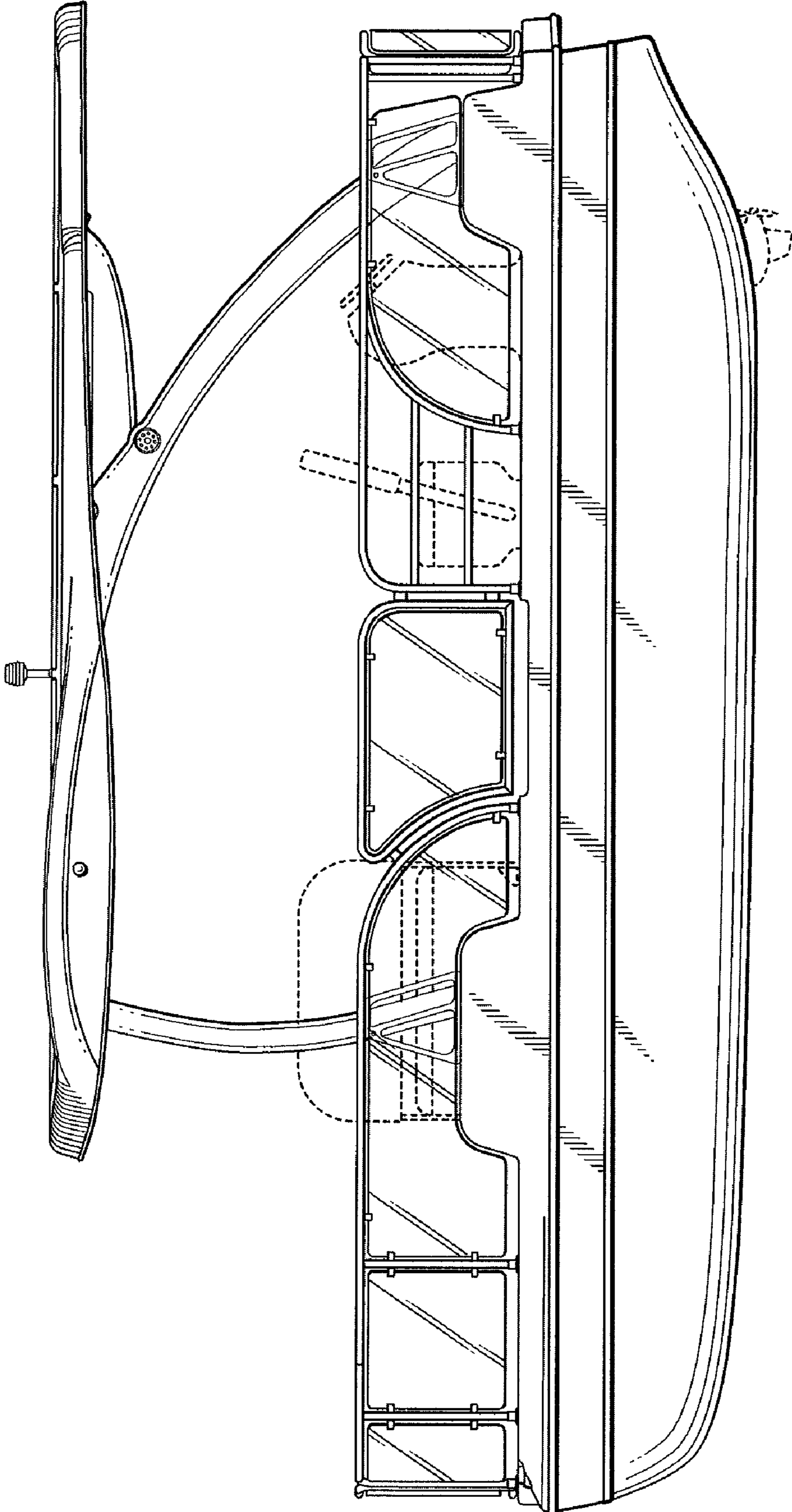


FIG. 2

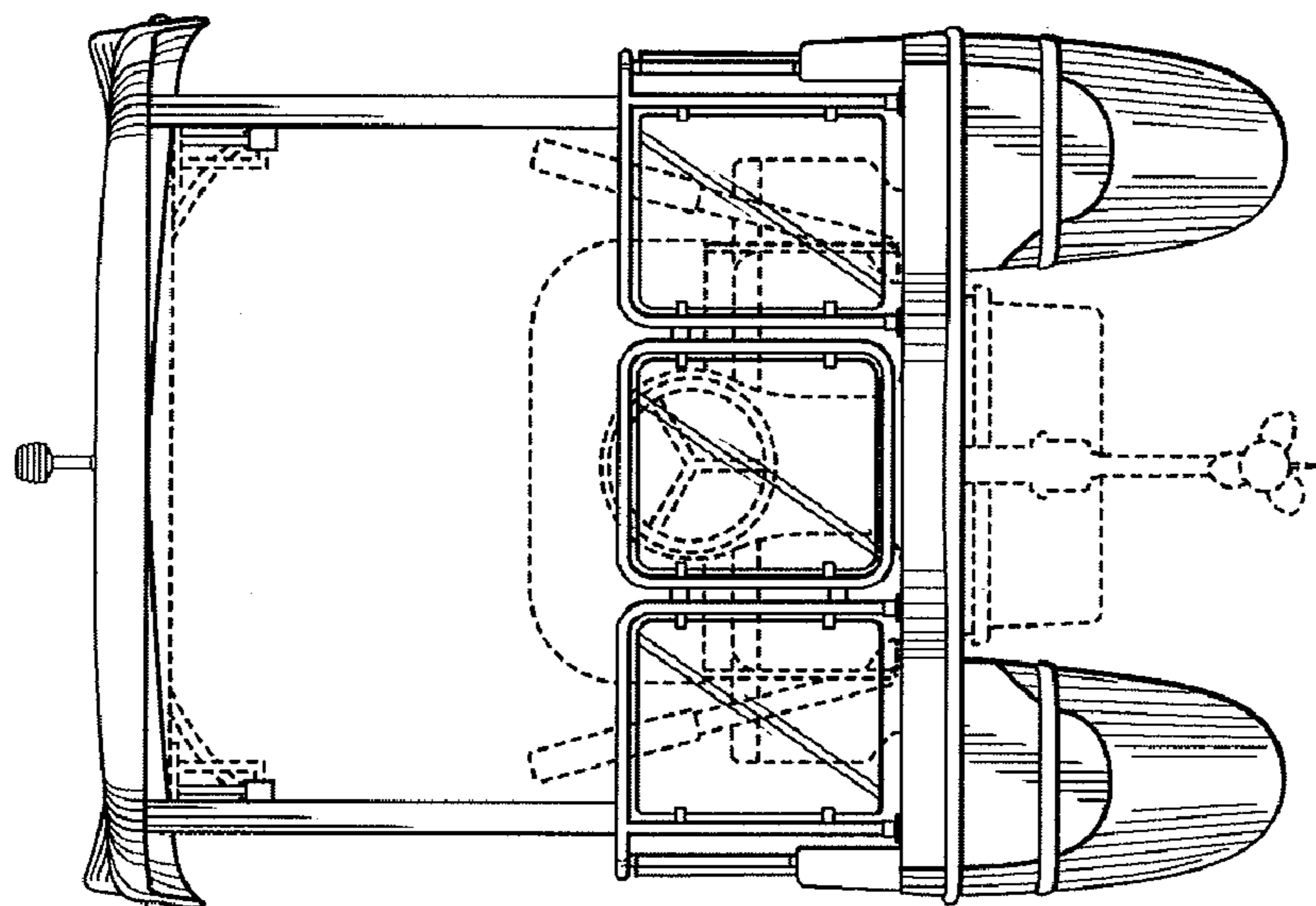


FIG. 4

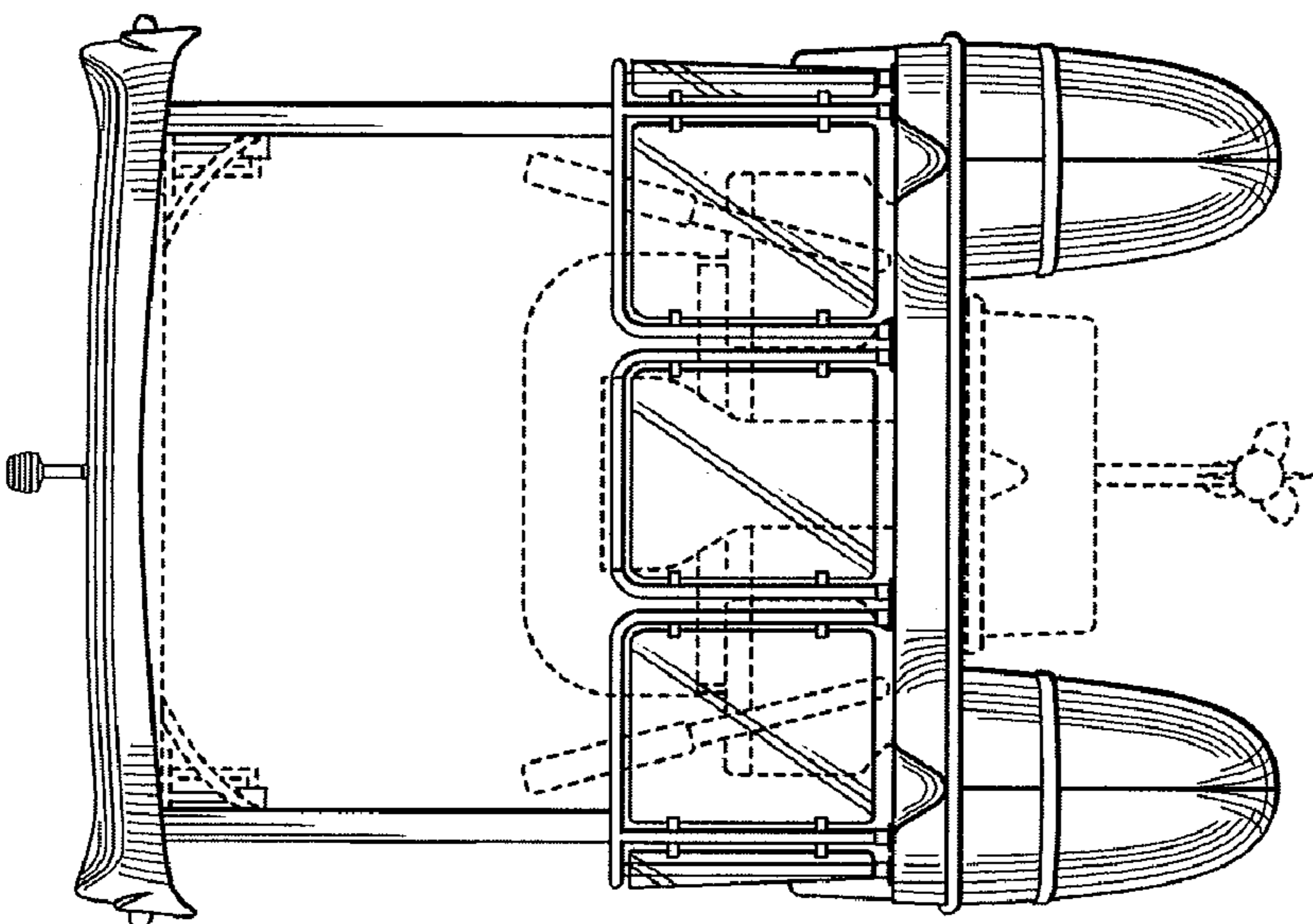


FIG. 3

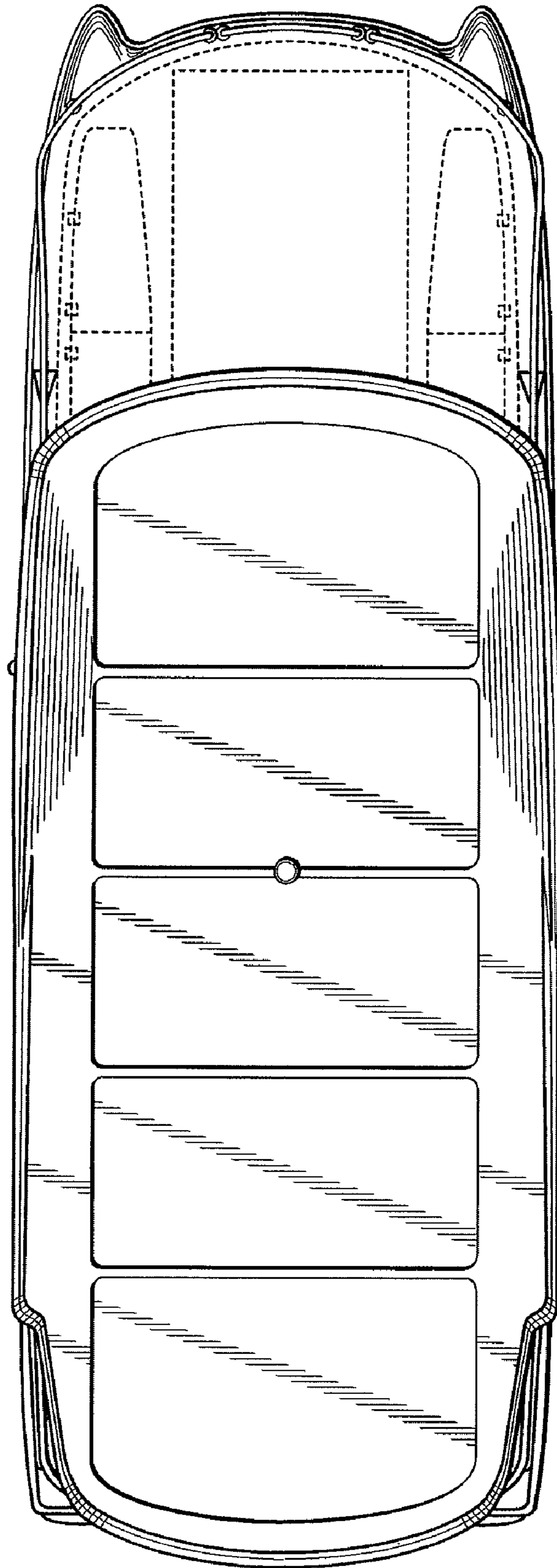


FIG. 5

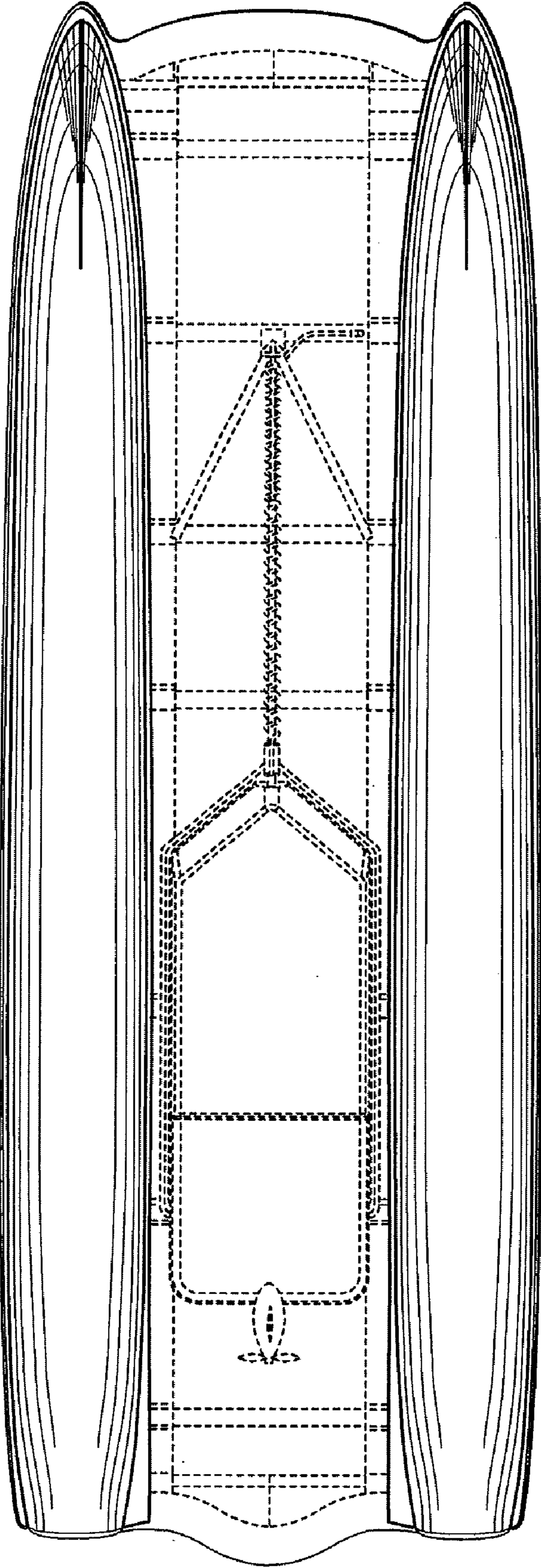


FIG. 6