



US00D641741S

(12) **United States Design Patent**
Behar

(10) **Patent No.:** **US D641,741 S**
(45) **Date of Patent:** **** Jul. 19, 2011**

(54) **DECODER MODEM TELECOMMUNICATION DEVICE**

(75) Inventor: **Yves Behar**, San Francisco, CA (US)

(73) Assignee: **Canal+ Distribution**,
Issy-les-Moulineaux (FR)

(**) Term: **14 Years**

(21) Appl. No.: **29/369,159**

(22) Filed: **Sep. 2, 2010**

(51) **LOC (9) Cl.** **14-03**

(52) **U.S. Cl.** **D14/242; D14/240**

(58) **Field of Classification Search** D14/240–242,
D14/140.1–140.6, 140, 155, 159, 141.1–141.3,
D14/137, 149, 150, 349, 351, 348, 353–358,
D14/170–171, 225, 217, 125, 352, 363, 370,
D14/411, 433, 435.1, 436; D13/184, 133,
D13/152; 455/550.1; 361/679.4, 679.56,
361/679.03, 679.26; 340/7.54; 439/717,
439/131, 135–147; 370/315; 375/311; 710/300,
710/301

See application file for complete search history.

(56) **References Cited**

U.S. PATENT DOCUMENTS

D248,653 S *	7/1978	Hirasa	D14/155
D274,428 S *	6/1984	Bottner	D14/245
D292,090 S *	9/1987	Shintomi	D14/141.1
D301,470 S *	6/1989	Preussner	D14/348
D320,212 S *	9/1991	Someya	D14/242
D330,702 S *	11/1992	Hutton	D13/184
D348,254 S *	6/1994	Ratzlaff	D14/348
D349,701 S *	8/1994	Beutler et al.	D14/149
D353,372 S *	12/1994	Delhaes	D14/149
D452,688 S *	1/2002	Goto	D14/356

D462,953 S *	9/2002	Jang	D14/299
D473,223 S *	4/2003	Pullman	D14/240
D486,150 S *	2/2004	Chung	D14/356
D489,720 S *	5/2004	Sasaki	D14/358
D512,216 S *	12/2005	Joyce	D3/203.6
D520,503 S *	5/2006	Shimizu	D14/358
D532,781 S *	11/2006	Ohno	D14/300
D566,704 S *	4/2008	Cutting	D14/313
D568,315 S *	5/2008	Yano	D14/358
D585,419 S *	1/2009	Lee	D14/150
D596,626 S *	7/2009	Andre et al.	D14/240

* cited by examiner

Primary Examiner — Jeff D Asch

(74) *Attorney, Agent, or Firm* — Thorpe North & Western LLP

(57) **CLAIM**

The ornamental design for a decoder modem telecommunication device, as shown.

DESCRIPTION

FIG. 1 is a top perspective view of a decoder modem telecommunication device in accordance with the present invention;

FIG. 2 is a top view thereof;

FIG. 3 is a bottom view thereof;

FIG. 4 is a front view thereof;

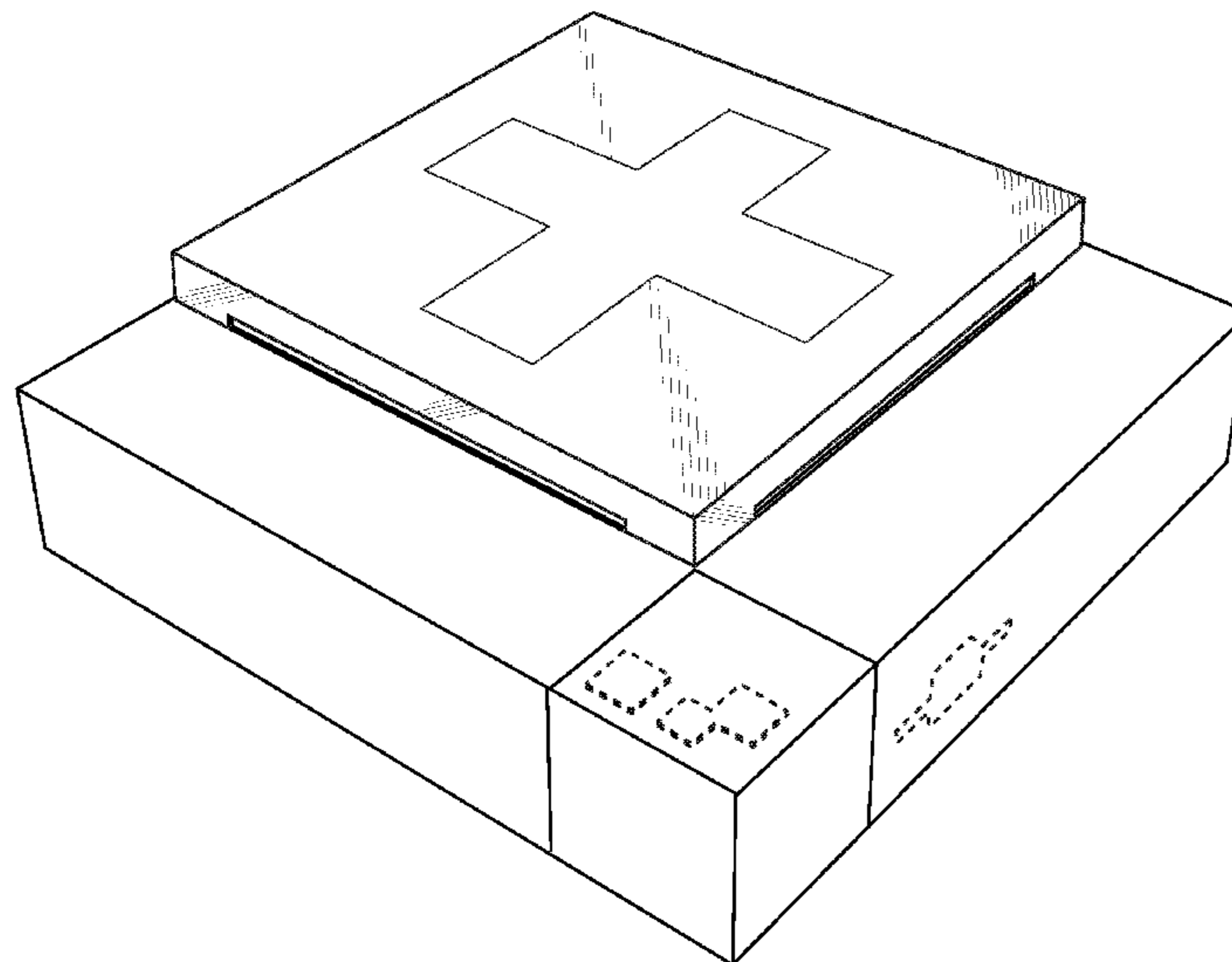
FIG. 5 is a left side view thereof;

FIG. 6 is a rear side view thereof; and,

FIG. 7 is a right side view thereof.

The broken lines shown throughout the views that are immediately adjacent to the shaded areas, and define unshaded regions, represent the bounds of the claimed design, while all other broken lines are directed to environment and are for illustrative purposes only; the broken lines form no part of the claimed design.

1 Claim, 5 Drawing Sheets



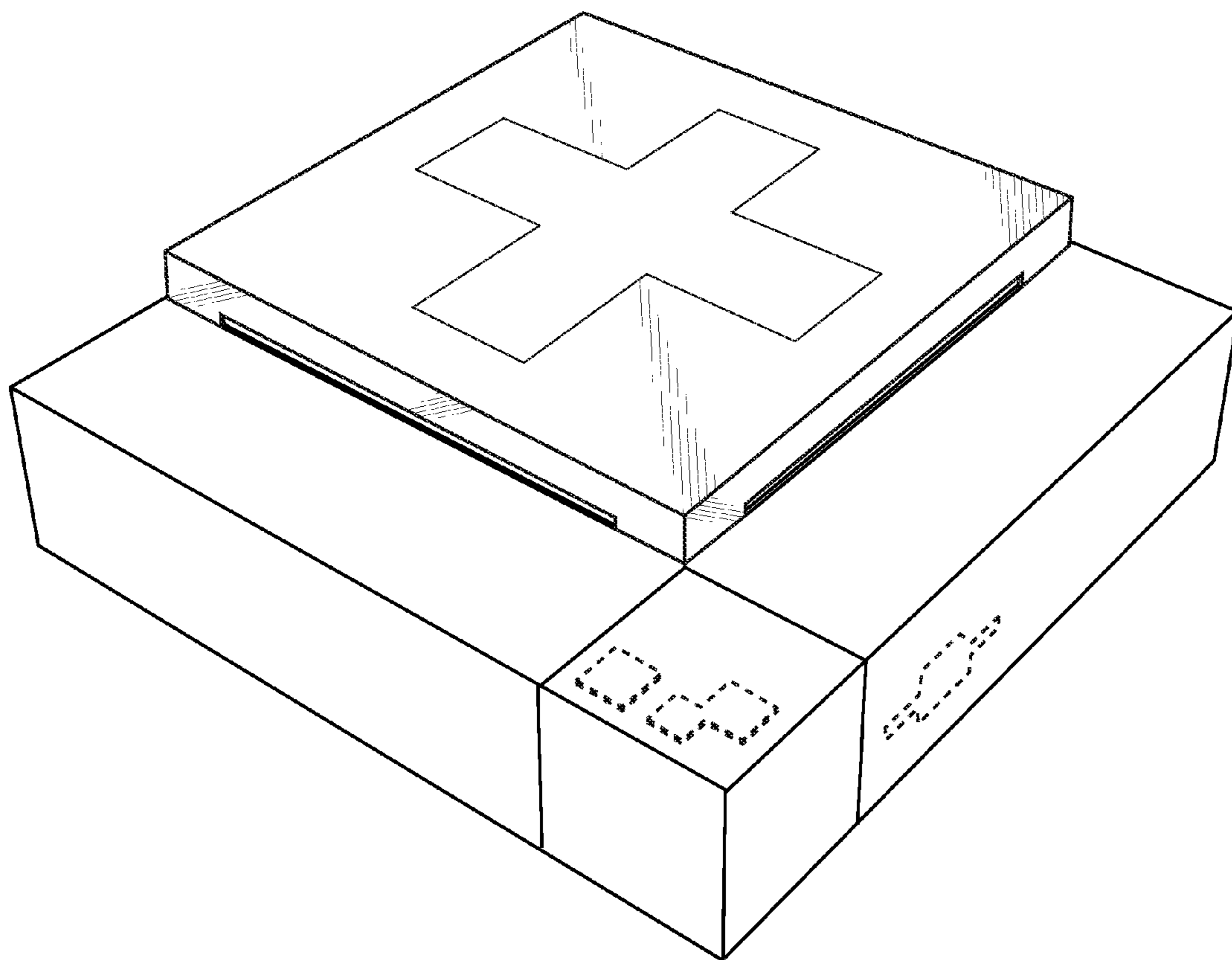


Fig. 1

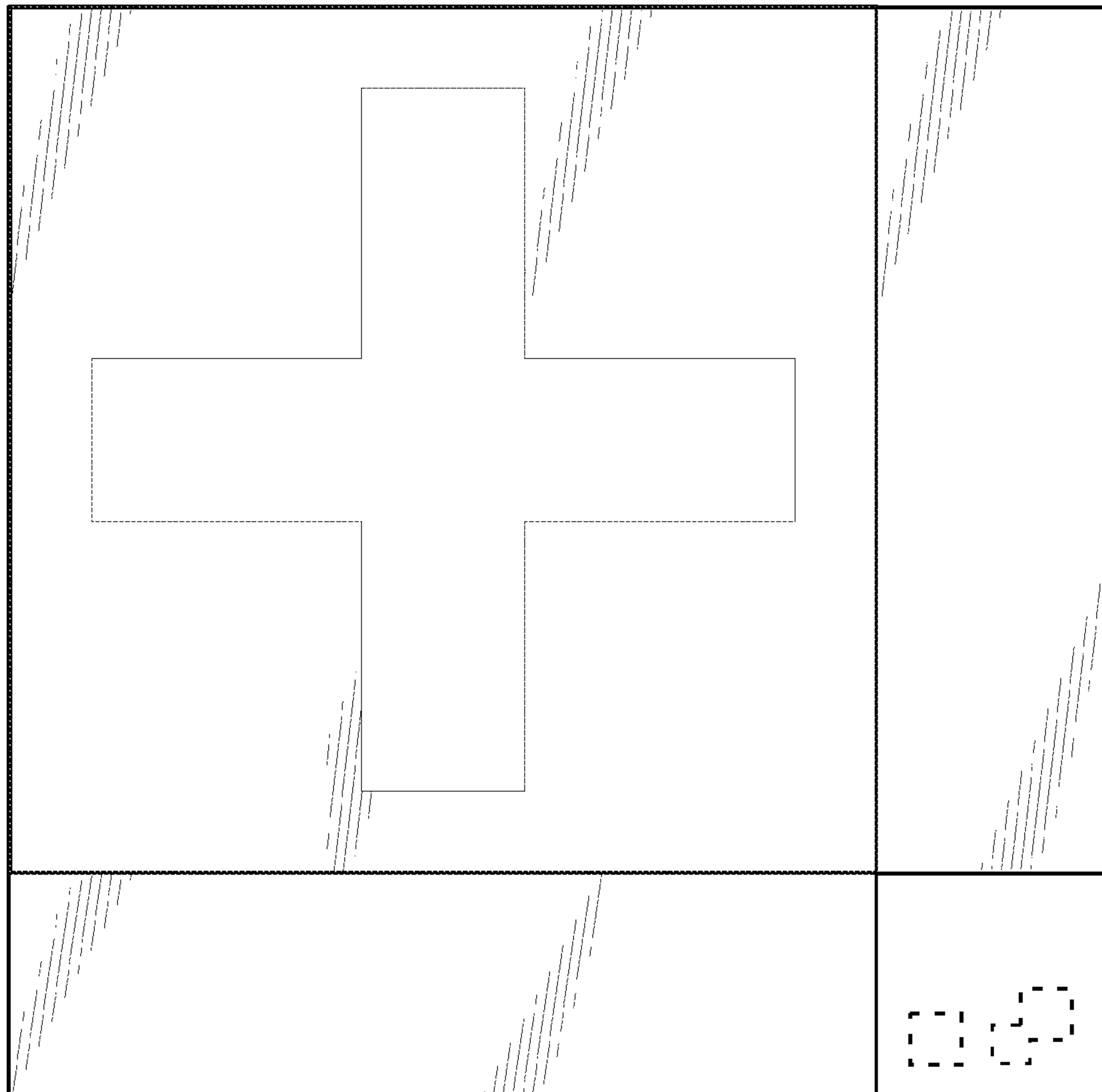


Fig. 2

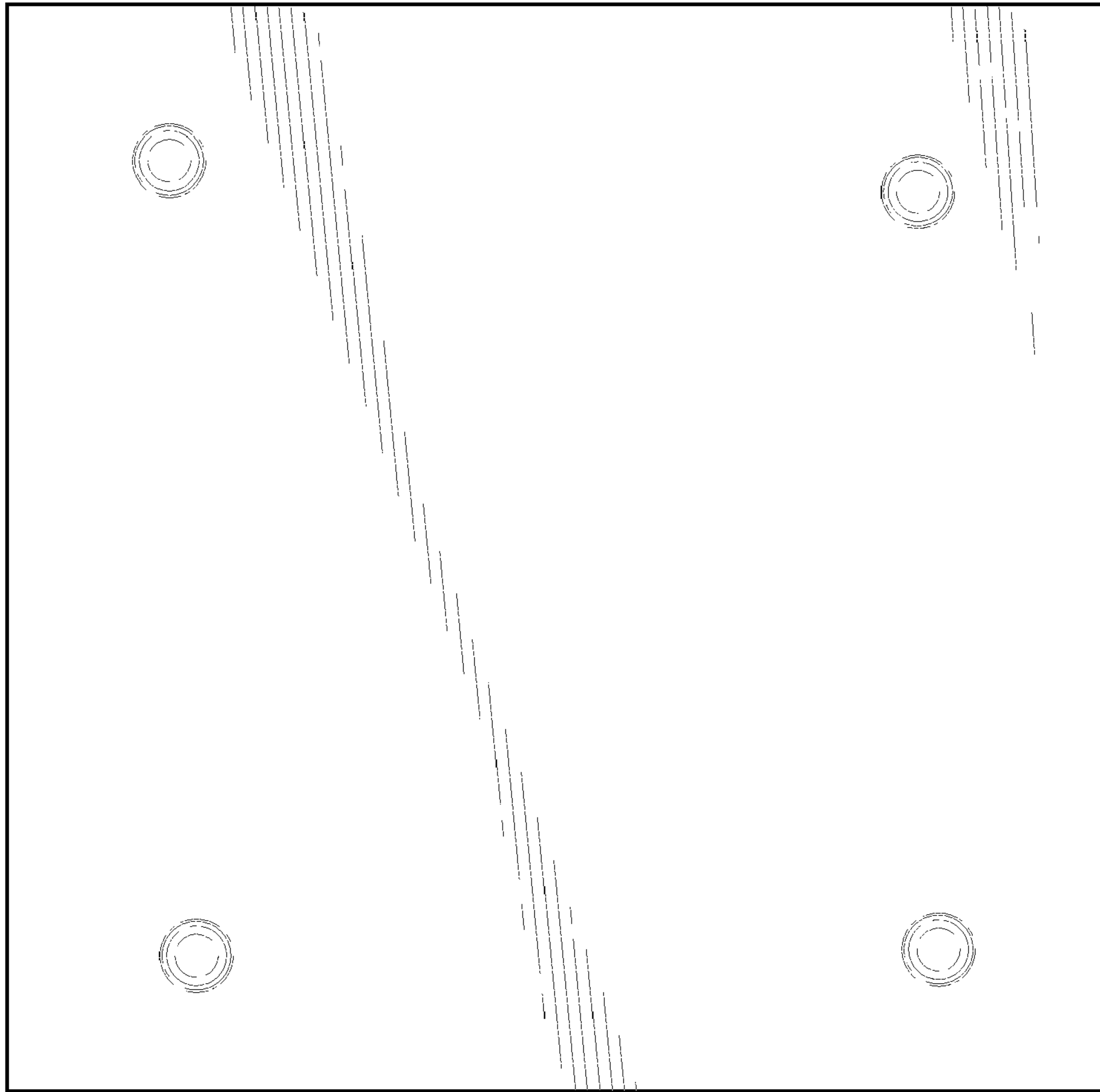


Fig. 3

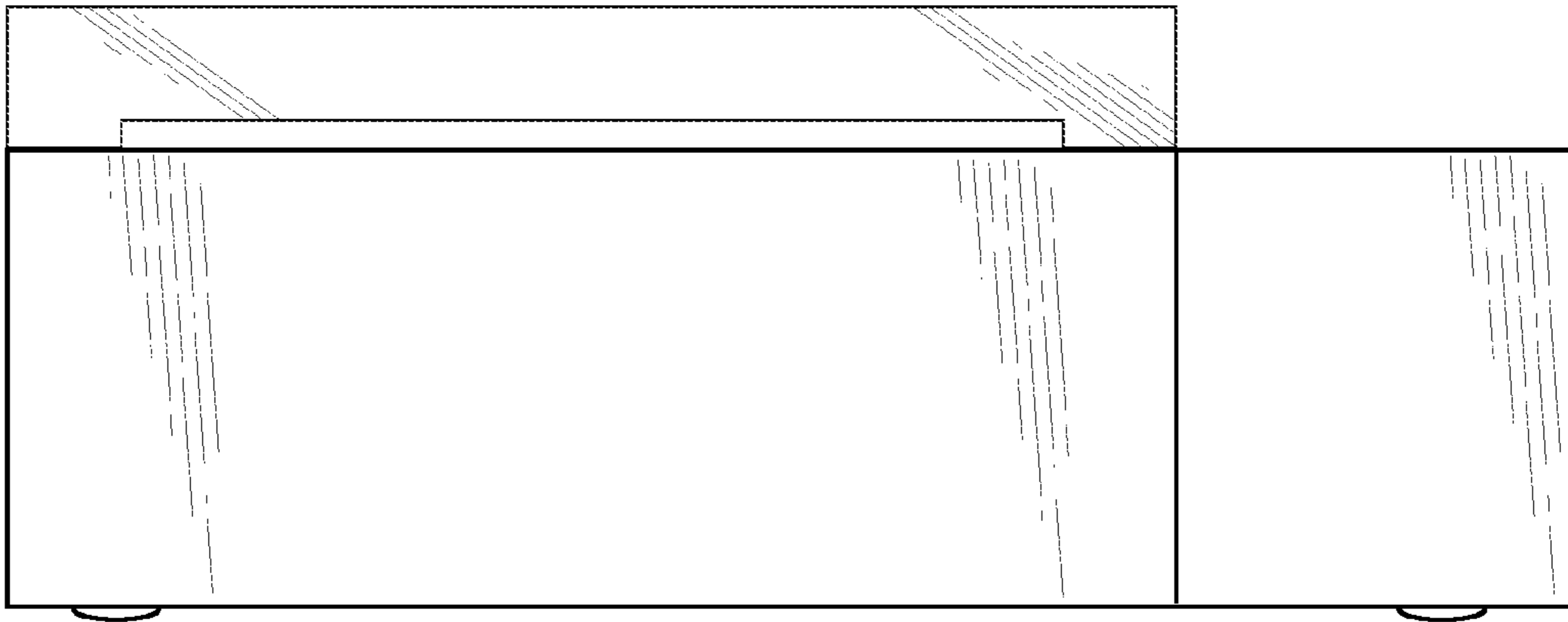


Fig. 4

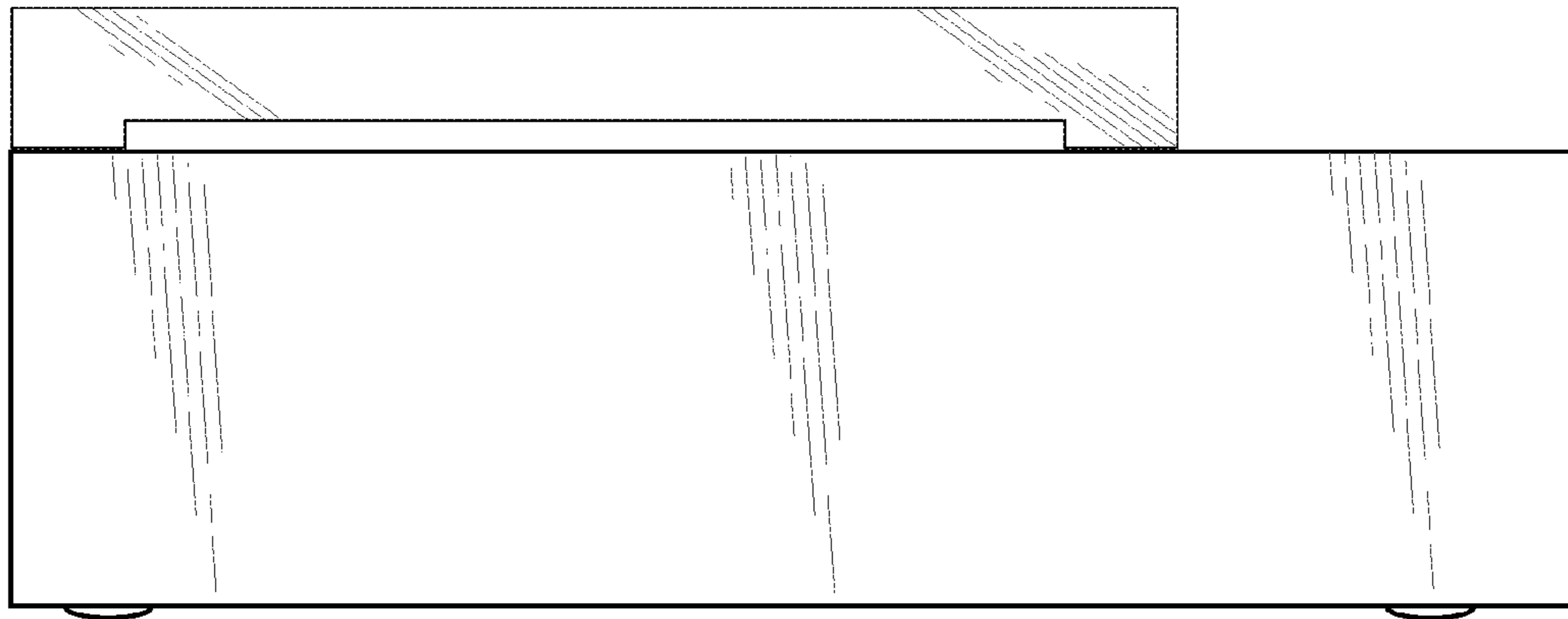


Fig. 5

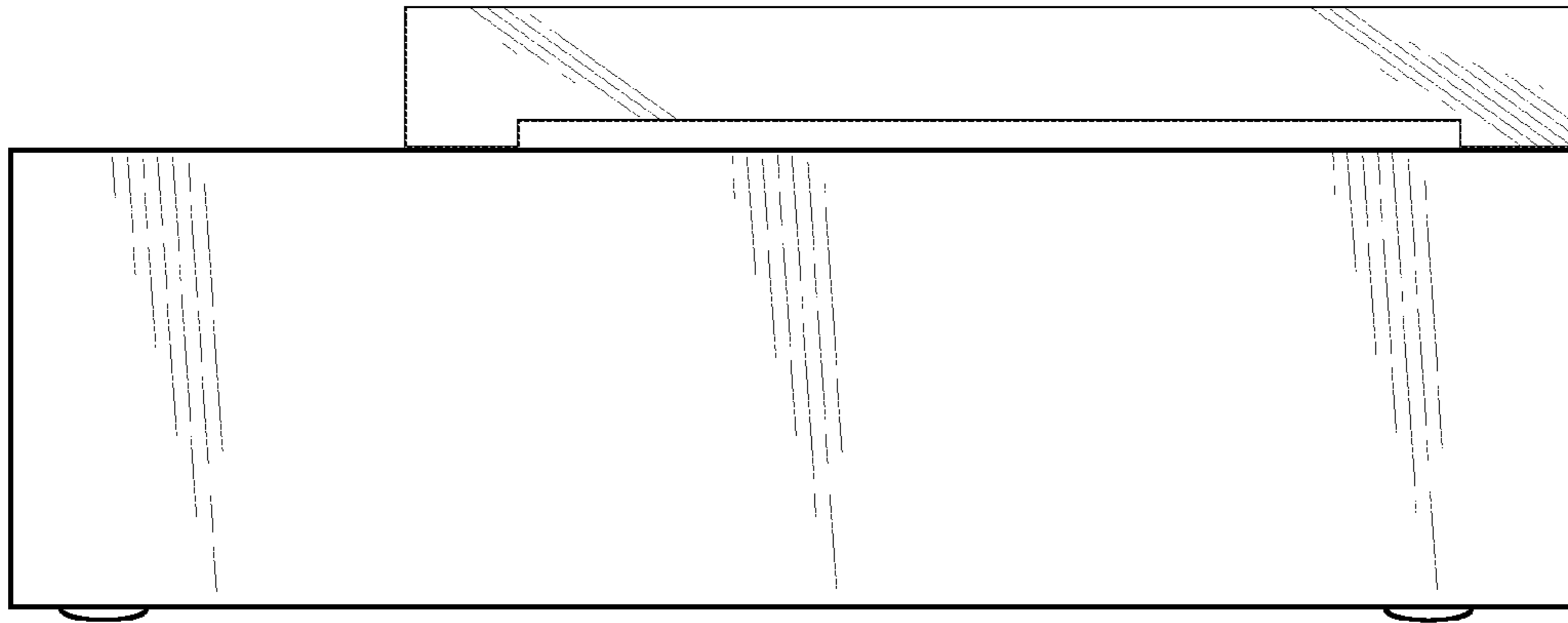


Fig. 6

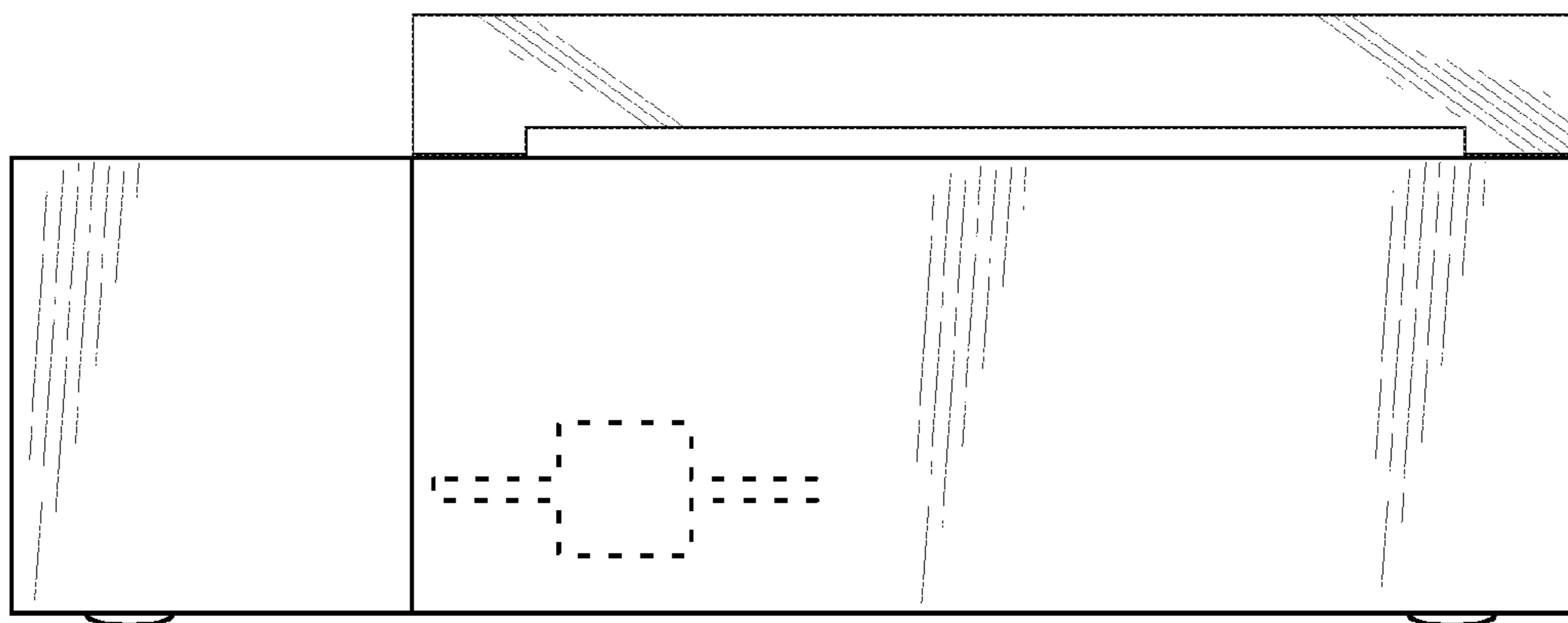


Fig. 7