

US00D641740S

(12) **United States Design Patent**
Jeon et al.

(10) **Patent No.:** **US D641,740 S**
(45) **Date of Patent:** **** Jul. 19, 2011**

- (54) **REPEATER**
- (75) Inventors: **So-Yoon Jeon**, Kyunggi-do (KR);
Sang-Sung Woo, Seoul (KR)
- (73) Assignee: **Samsung Electronics Co., Ltd.**, Suwon,
Kyunggi-Do (KR)
- (**) Term: **14 Years**
- (21) Appl. No.: **29/370,205**
- (22) Filed: **Jun. 16, 2010**
- (51) **LOC (9) Cl.** **14-03**
- (52) **U.S. Cl.** **D14/240; D14/140.6**
- (58) **Field of Classification Search** D14/240–242,
D14/356–358, 140.1–140.6, 140, 155, 159,
D14/141.1–141.3, 137, 149, 150, 349, 351,
D14/348, 353–355, 170–171, 225, 217, 125;
D13/184, 133, 152; 455/550.1; 361/679.4,
361/679.56, 679.03, 679.26; 340/7.54; 439/717;
370/315; 375/311
See application file for complete search history.

- D515,554 S 2/2006 Kwon et al.
- D520,999 S 5/2006 Woo et al.
- D535,646 S * 1/2007 Allen et al. D14/230
- D535,981 S 1/2007 Park
- D541,771 S 5/2007 Chung
- D541,811 S 5/2007 Park
- D545,777 S 7/2007 Kim
- D548,731 S * 8/2007 Liu et al. D14/240
- D560,689 S 1/2008 Cho
- D565,036 S 3/2008 Ju et al.
- D580,423 S 11/2008 Ju
- D580,933 S 11/2008 Ju et al.
- D587,281 S 2/2009 Kim et al.
- D587,282 S 2/2009 Kim et al.
- D589,045 S 3/2009 Lee et al.

(Continued)

OTHER PUBLICATIONS

EL-2635 wireless repeater, © 2008, posting date not given, [online], [site visited Feb. 28, 2011]. Available from Internet ,<URL: <http://www.electronics-line.com/acontent%20catalogue/c9992/107401.php>>.*

Primary Examiner — Jeff D Asch
(74) *Attorney, Agent, or Firm* — Flynn, Thiel, Boutell & Tanis, P.C.

(56) **References Cited**

U.S. PATENT DOCUMENTS

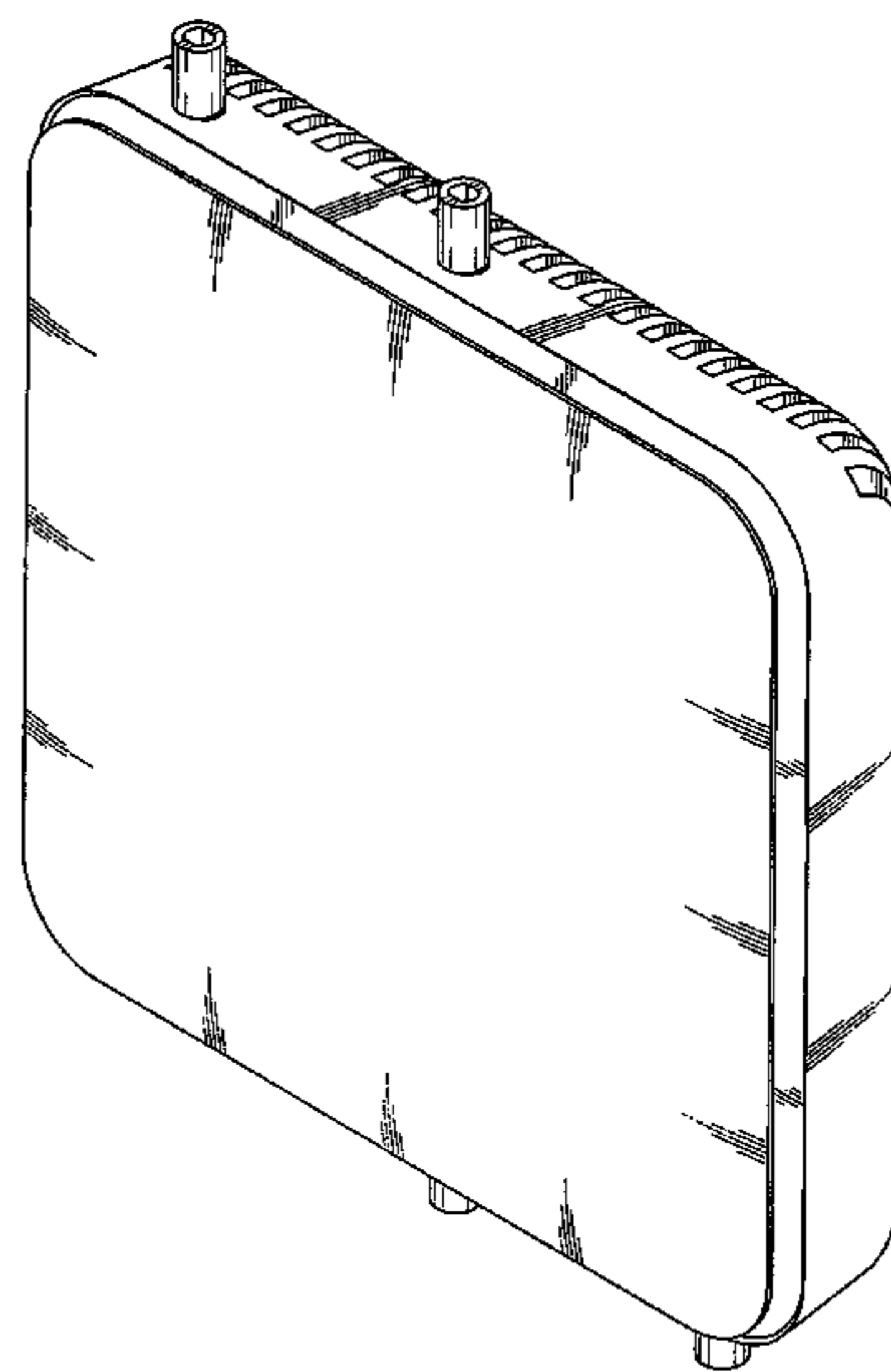
- D226,565 S * 3/1973 Klepa et al. D14/349
- D292,914 S * 11/1987 Moeller D13/123
- D306,583 S * 3/1990 Krolopp et al. D14/137
- D392,644 S * 3/1998 McGugan D14/240
- D395,897 S * 7/1998 Honma et al. D14/240
- D408,823 S * 4/1999 Kirby D14/240
- D414,187 S * 9/1999 Lange et al. D14/231
- 6,008,750 A * 12/1999 Cottle et al. 342/42
- D424,028 S * 5/2000 Vaiani D13/184
- D427,182 S * 6/2000 Andrew et al. D14/230
- D428,006 S * 7/2000 Sagues et al. D14/356
- D429,238 S * 8/2000 Kolinen D14/240
- D438,198 S * 2/2001 Sakakieda et al. D14/240
- D438,532 S * 3/2001 Gargani et al. D14/240
- D483,353 S * 12/2003 Hyogo D14/240
- D493,169 S * 7/2004 Cheng D14/357

(57) **CLAIM**
The ornamental design for a repeater, as shown and described.

DESCRIPTION

FIG. 1 is a top front perspective view of a repeater showing our new design;
FIG. 2 is a front elevational view thereof;
FIG. 3 is a rear elevational view thereof;
FIG. 4 is a left side elevational view thereof;
FIG. 5 is a right side elevational view thereof;
FIG. 6 is a top plan view thereof; and,
FIG. 7 is a bottom plan view thereof.

1 Claim, 5 Drawing Sheets



US D641,740 S

Page 2

U.S. PATENT DOCUMENTS

D591,688 S *	5/2009	Nishiyama et al.	D13/152	D616,426 S	5/2010	Ju et al.	
D596,626 S *	7/2009	Andre et al.	D14/240	D624,541 S *	9/2010	Kemery et al.	D14/358
7,594,632 B2 *	9/2009	Van Den Bossche		D626,951 S *	11/2010	Ding	D14/240
		et al.	248/309.1	2004/0110469 A1 *	6/2004	Judd et al.	455/15
D611,032 S	3/2010	Kim					

* cited by examiner

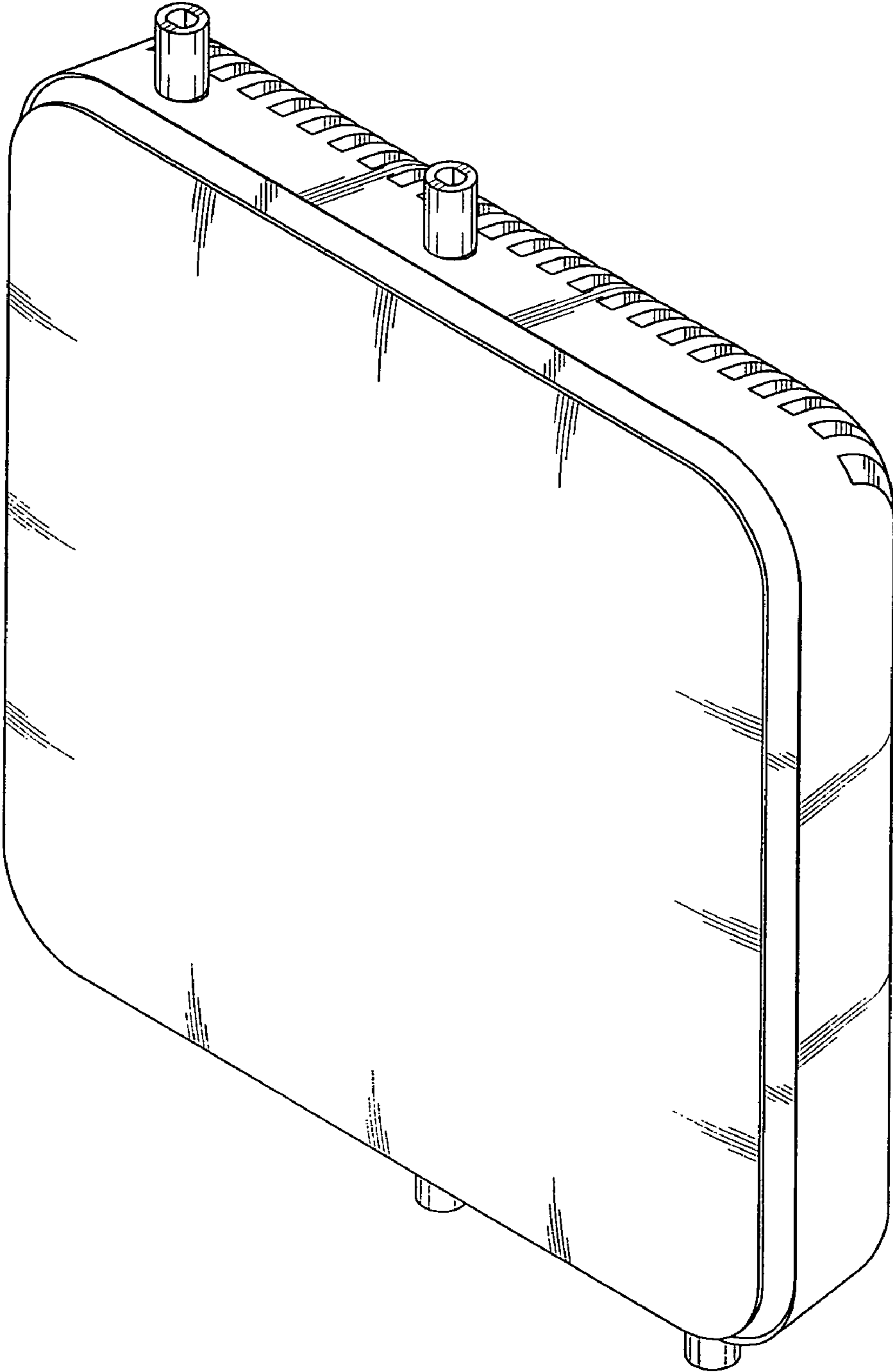


FIG. 1

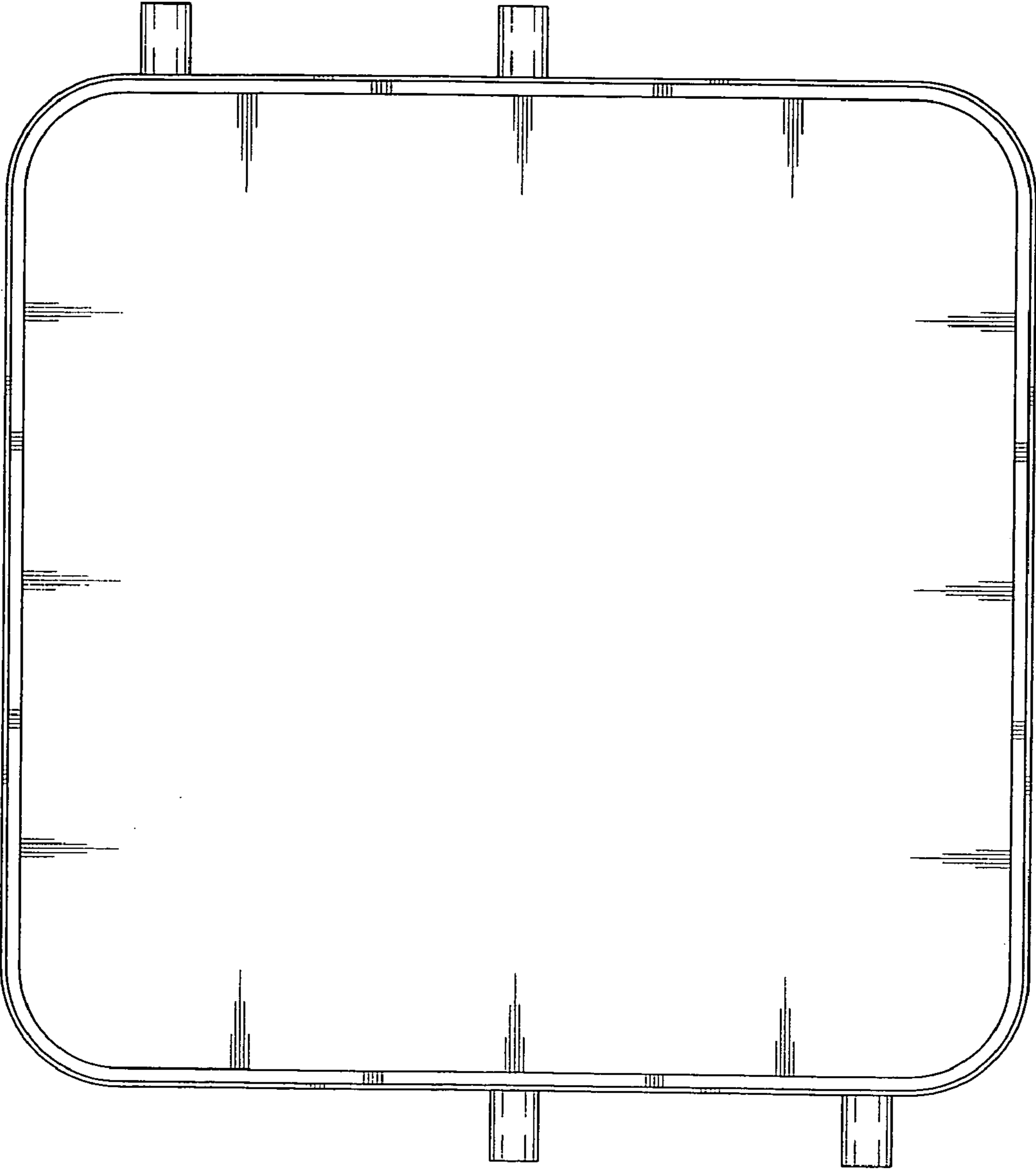


FIG. 2

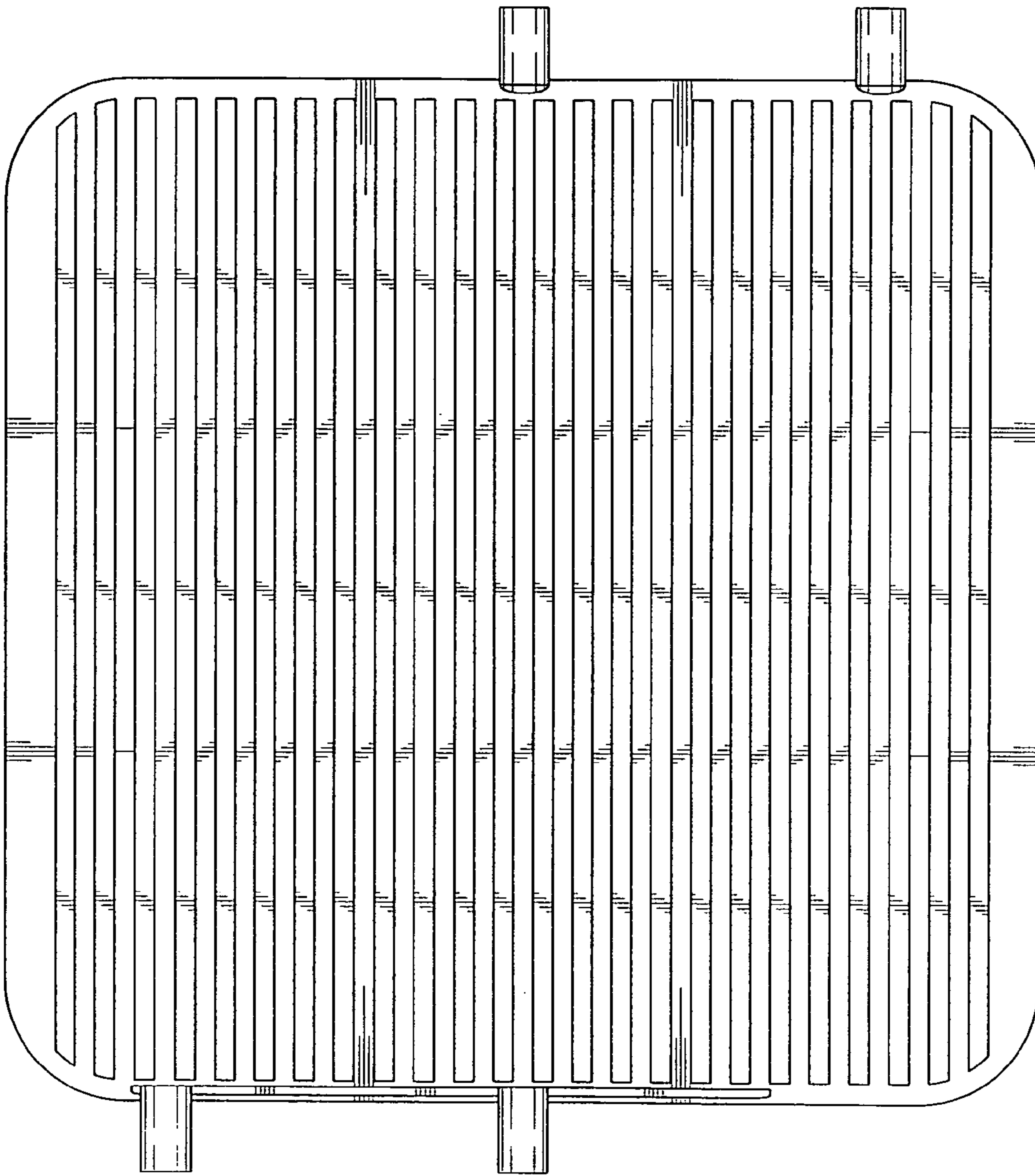


FIG. 3

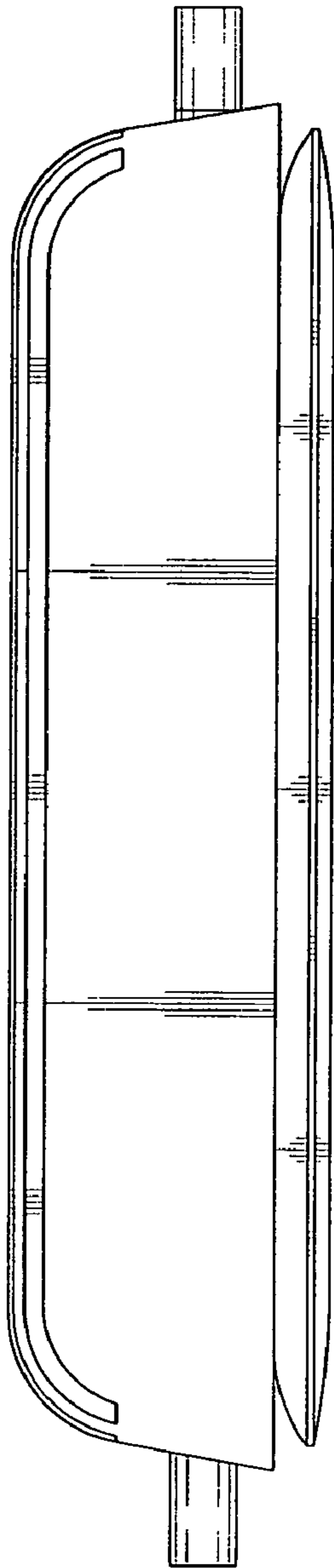


FIG. 4

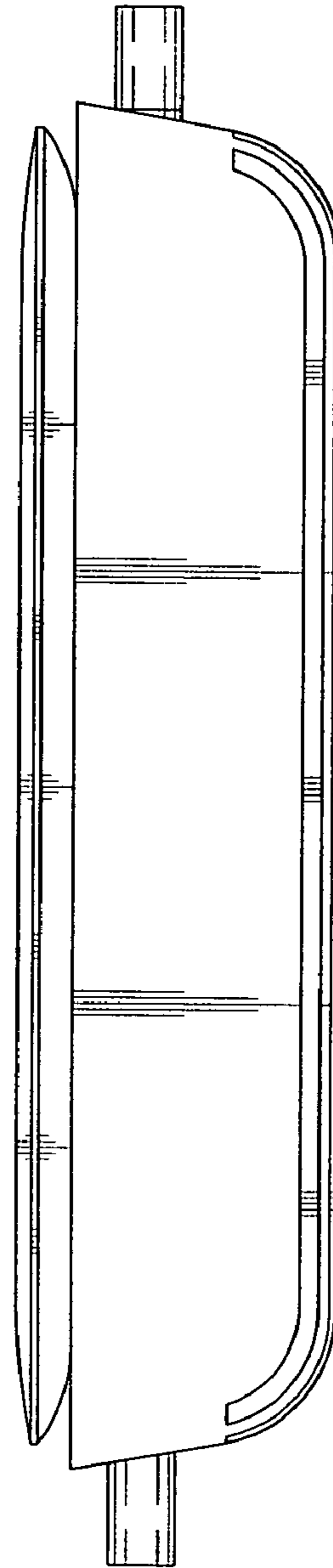


FIG. 5

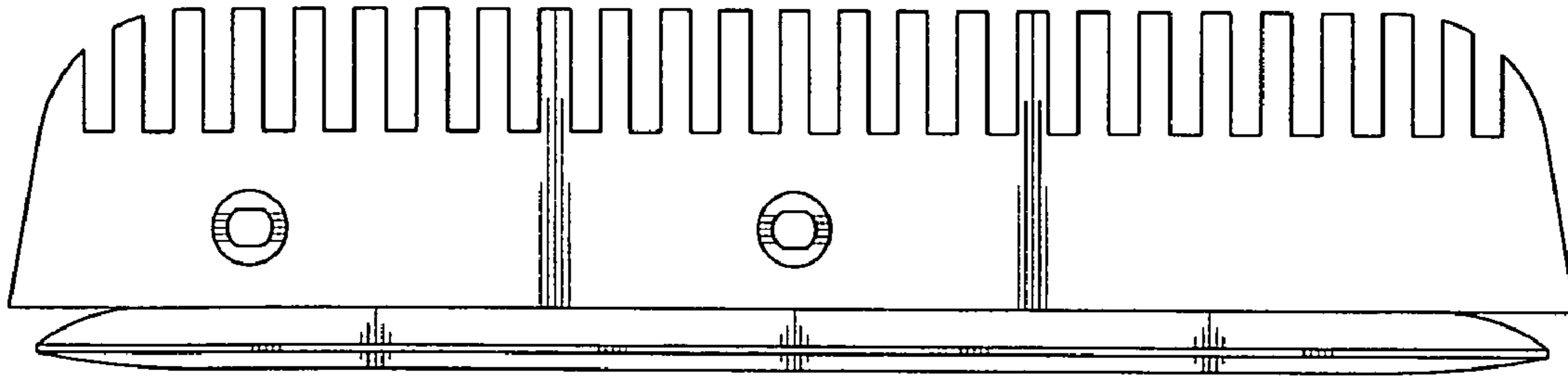


FIG. 6

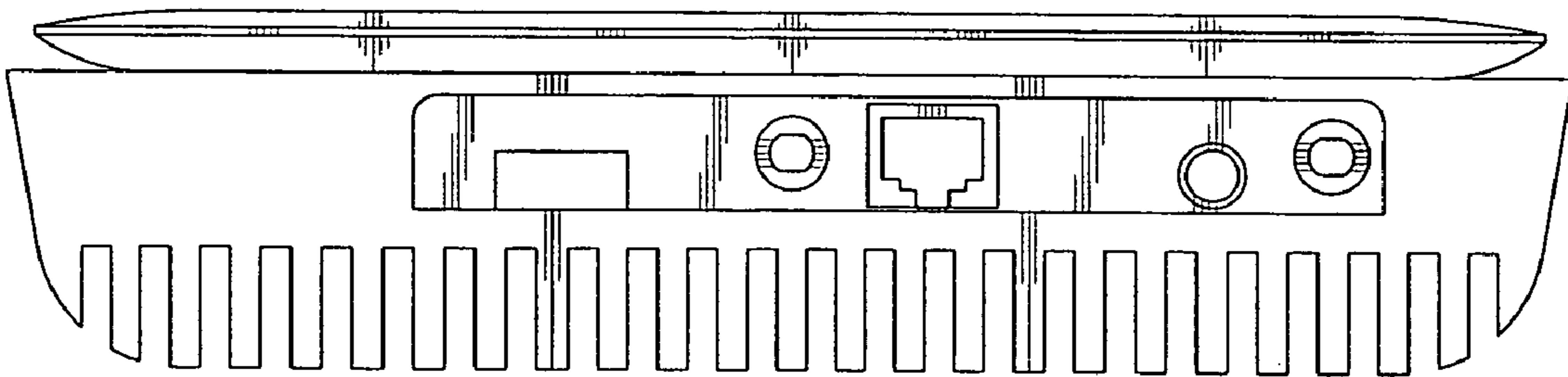


FIG. 7