



US00D641736S

(12) **United States Design Patent**
Brunner et al.

(10) **Patent No.:** **US D641,736 S**

(45) **Date of Patent:** **** *Jul. 19, 2011**

(54) **EAR BUD FOR AN AUDIO LISTENING SYSTEM**

(75) Inventors: **Robert Brunner**, San Francisco, CA (US); **Victoria Slaker**, San Francisco, CA (US)

(73) Assignee: **Beats Electronics, LLC**, Santa Monica, CA (US)

(**) Term: **14 Years**

(21) Appl. No.: **29/342,998**

(22) Filed: **Sep. 3, 2009**

(51) **LOC (9) Cl.** **14-01**

(52) **U.S. Cl.** **D14/223; D14/205**

(58) **Field of Classification Search** D14/205, D14/206, 223, 225, 226, 228, 142, 192, 218, D14/230; D13/133, 153, 154; 379/430, 379/433.03, 420.04; 381/380, 381; 181/129, 181/130, 135; D24/174; D2/606, 607; 455/90.3, 455/575.1, 575.2

See application file for complete search history.

(56) **References Cited**

U.S. PATENT DOCUMENTS

D233,444 S	10/1974	Christian et al.	
D241,881 S	10/1976	Peterson et al.	
4,253,452 A	3/1981	Powers et al.	
D270,634 S	9/1983	Ungar	
4,646,872 A *	3/1987	Kamon et al.	181/129
D299,344 S	1/1989	Stevens	
D299,454 S *	1/1989	Kwong	D14/205
D316,550 S	4/1991	Sogabe	
D318,670 S	7/1991	Taniguchi	
5,179,501 A	1/1993	Ocken et al.	
D334,043 S	3/1993	Taniguchi et al.	
D385,254 S *	10/1997	Owusu	D13/133
D443,859 S	6/2001	Hogan	
D459,342 S	6/2002	Marion et al.	
D475,996 S	6/2003	Skulley	
D481,377 S *	10/2003	Eguchi	D14/223
D526,642 S	8/2006	Choe	
D529,901 S *	10/2006	Ohta	D14/223
D558,735 S *	1/2008	Carr et al.	D14/206

D564,495 S *	3/2008	Sasaki	D14/205
D569,841 S	5/2008	Chung et al.	
D578,507 S *	10/2008	Ando	D14/205
D587,681 S *	3/2009	Yanai	D14/205

(Continued)

OTHER PUBLICATIONS

Co-Pending U.S. Appl. No. 29/353,184 for "Audio Listening System" filed Jan. 4, 2010.

(Continued)

Primary Examiner — Paula Greene

(74) *Attorney, Agent, or Firm* — Michael G. Kelber; Neal, Gerber & Eisenberg LLP

(57) **CLAIM**

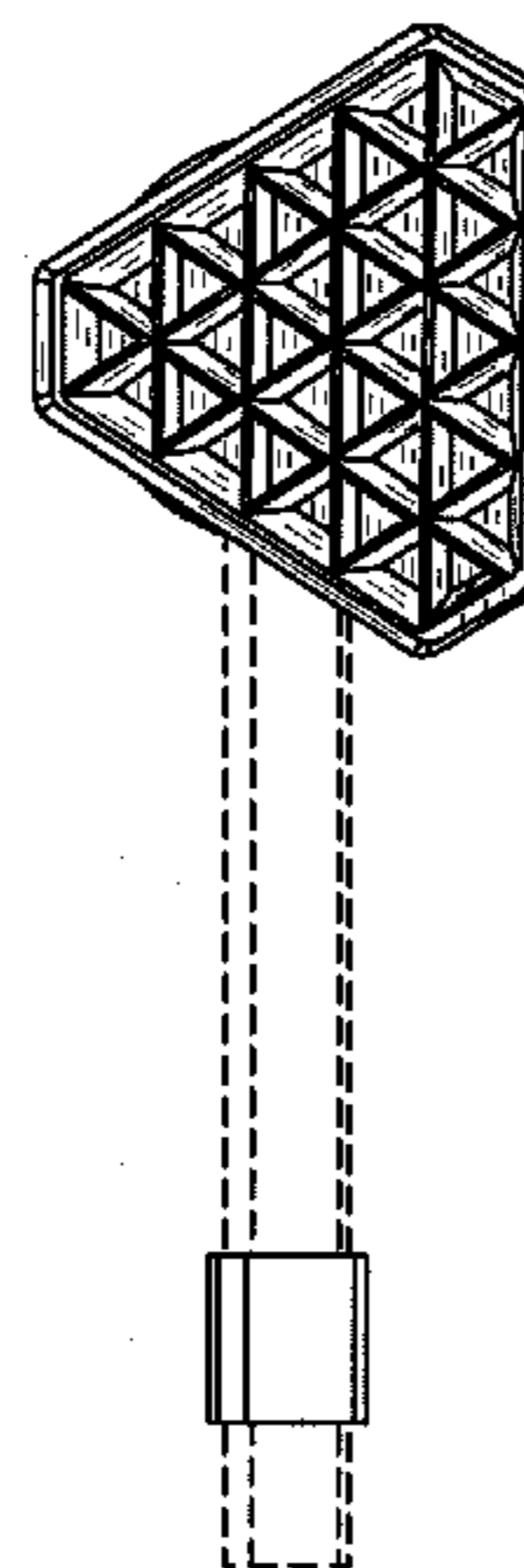
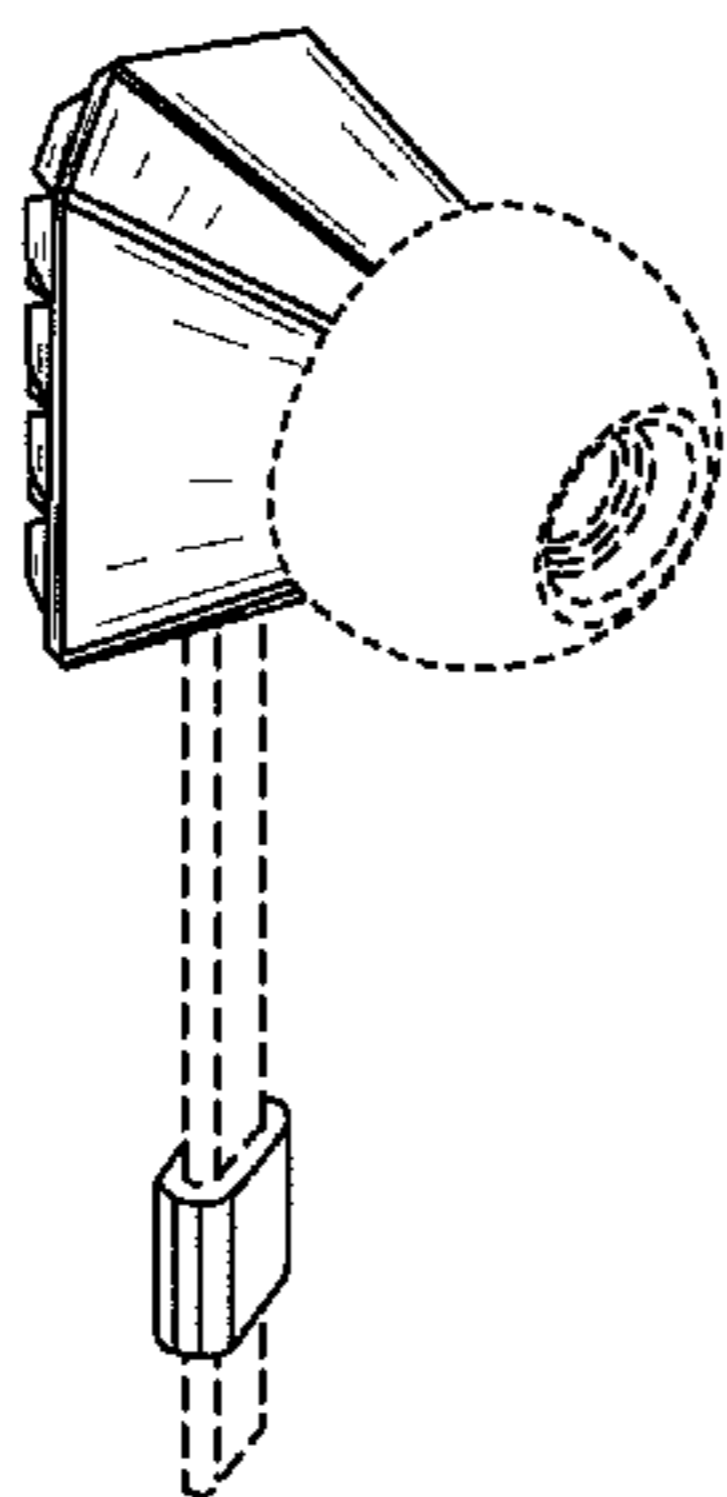
The ornamental design for an ear bud for an audio listening system, as shown and described.

DESCRIPTION

FIG. 1 is a perspective view of an ear bud for an audio listening system showing our new design; FIG. 2 is a back view thereof; FIG. 3 is a side view thereof; FIG. 4 is an opposing side view thereof; FIG. 5 is a front view thereof; FIG. 6 is a top view thereof; FIG. 7 is a bottom view thereof; FIG. 8 is a perspective view of an ear bud for an audio listening system showing our new design, the only difference being the cord; FIG. 9 is a back view thereof; FIG. 10 is a side view thereof; FIG. 11 is an opposing side view thereof; FIG. 12 is a front view thereof; FIG. 13 is a top view thereof; and, FIG. 14 is a bottom view thereof.

The broken lines showing the environment in the Figures are for illustrative purposes only and form no part of the claimed design.

1 Claim, 4 Drawing Sheets



US D641,736 S

Page 2

U.S. PATENT DOCUMENTS

D591,264 S 4/2009 Hong et al.
D603,837 S 11/2009 Martin
D605,628 S * 12/2009 Ando D14/205
D607,875 S * 1/2010 Pedersen, II D14/206
D613,274 S * 4/2010 Lee et al. D14/225
D614,168 S * 4/2010 Rogers et al. D14/206

OTHER PUBLICATIONS

Co-Pending U.S. Appl. No. 29/353,185 for "Audio Listening System" filed Jan. 4, 2010.

* cited by examiner

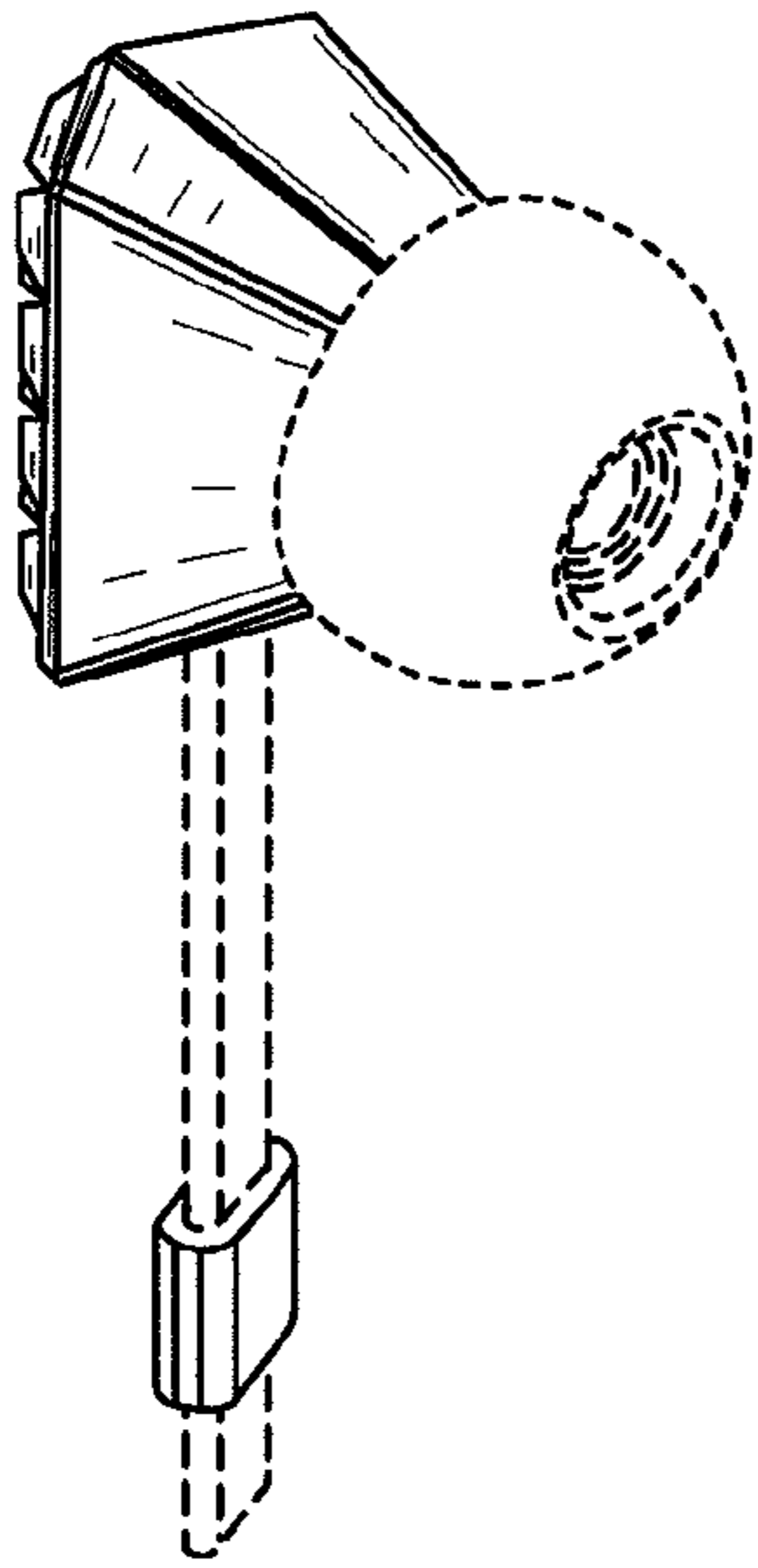


Figure 1

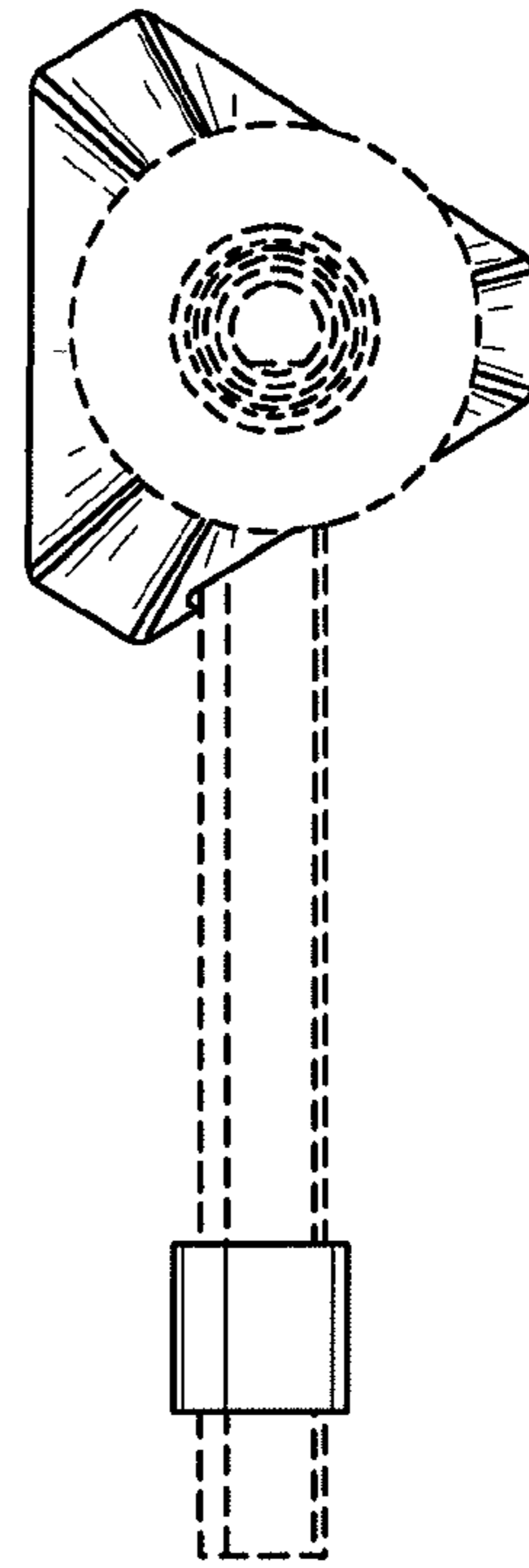


Figure 2

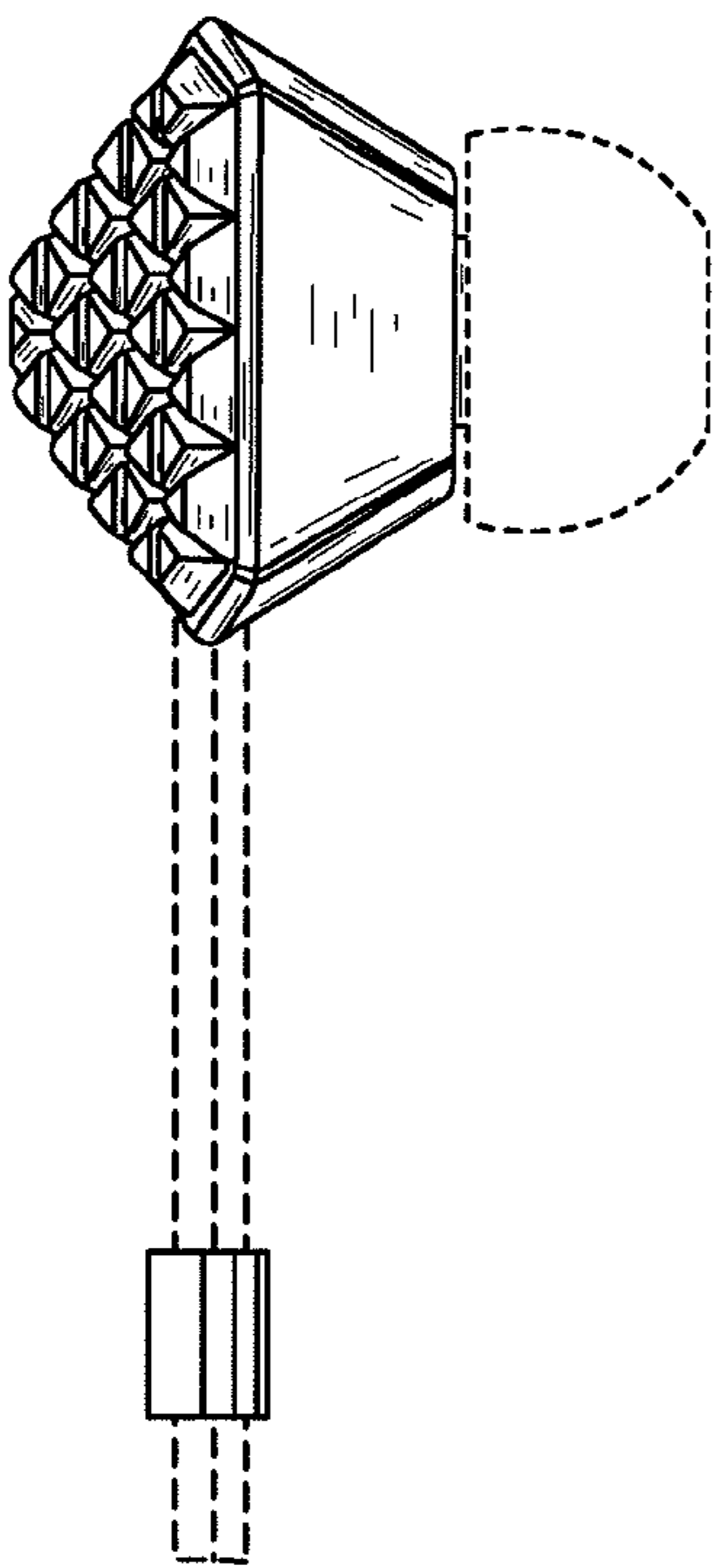


Figure 3

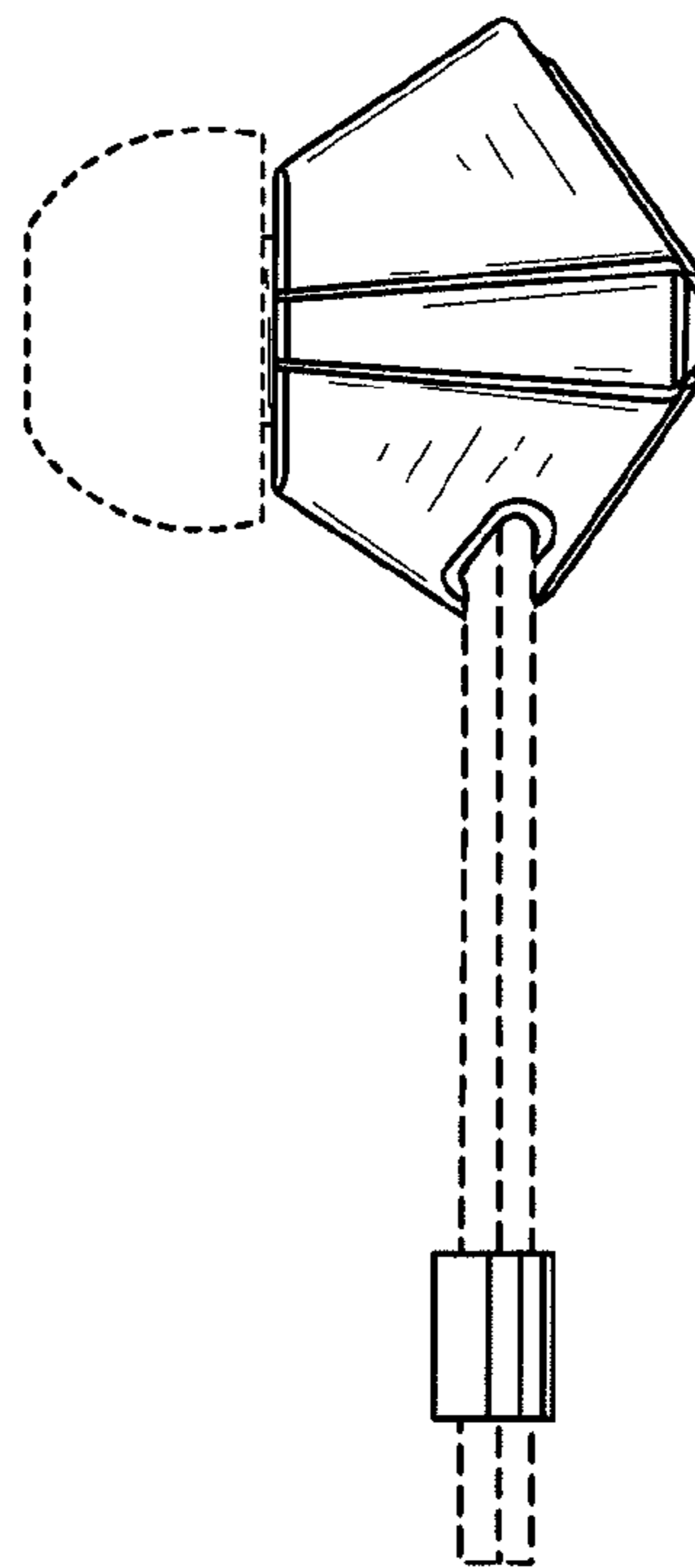


Figure 4

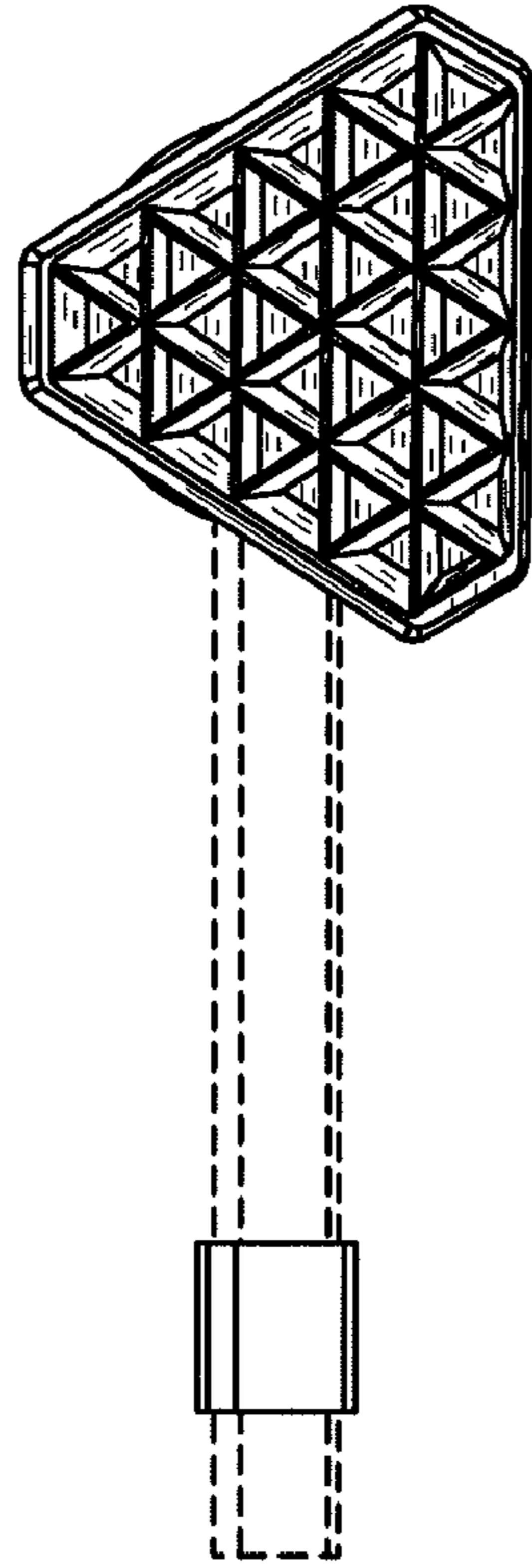


Figure 5

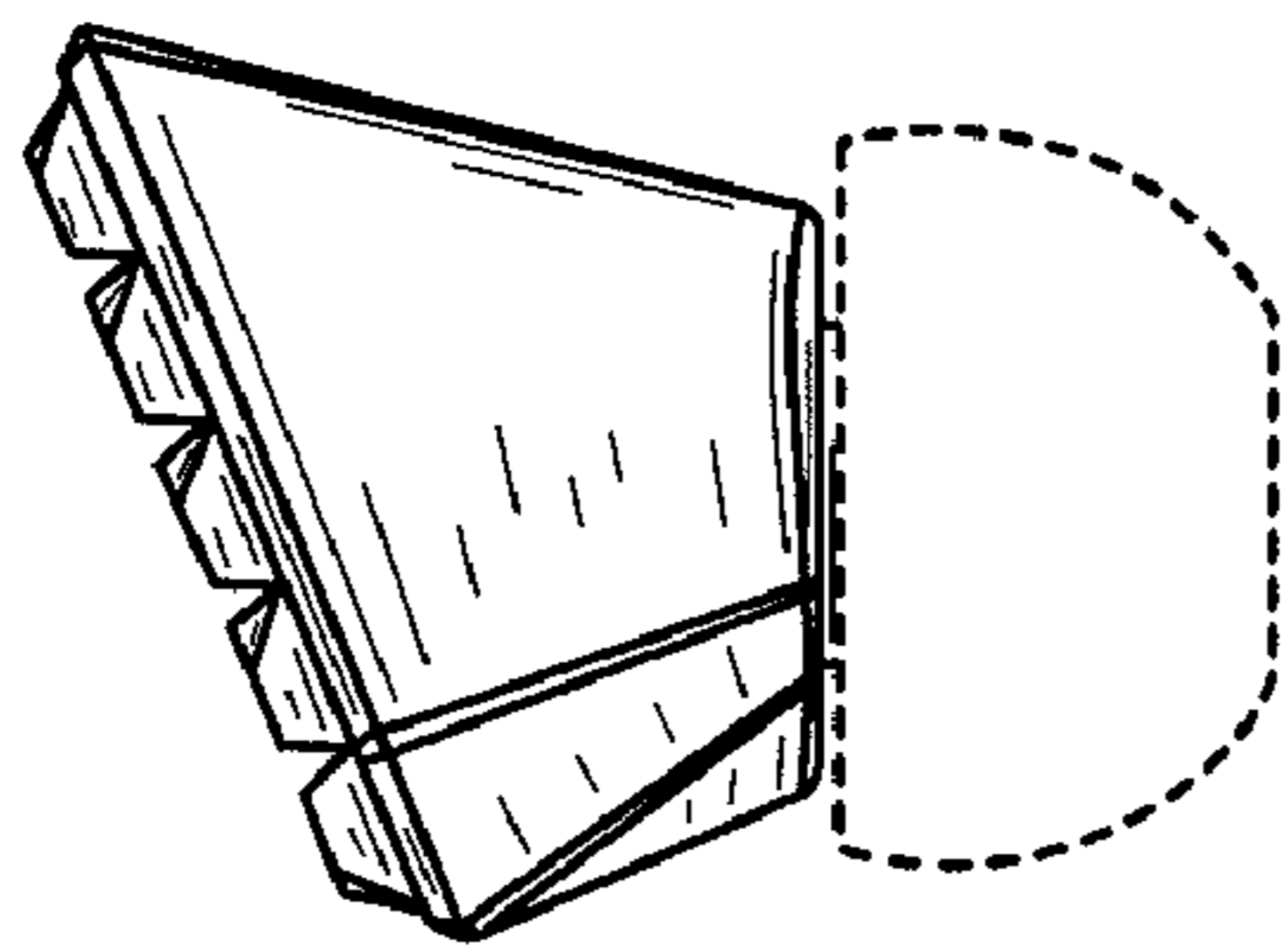


Figure 6

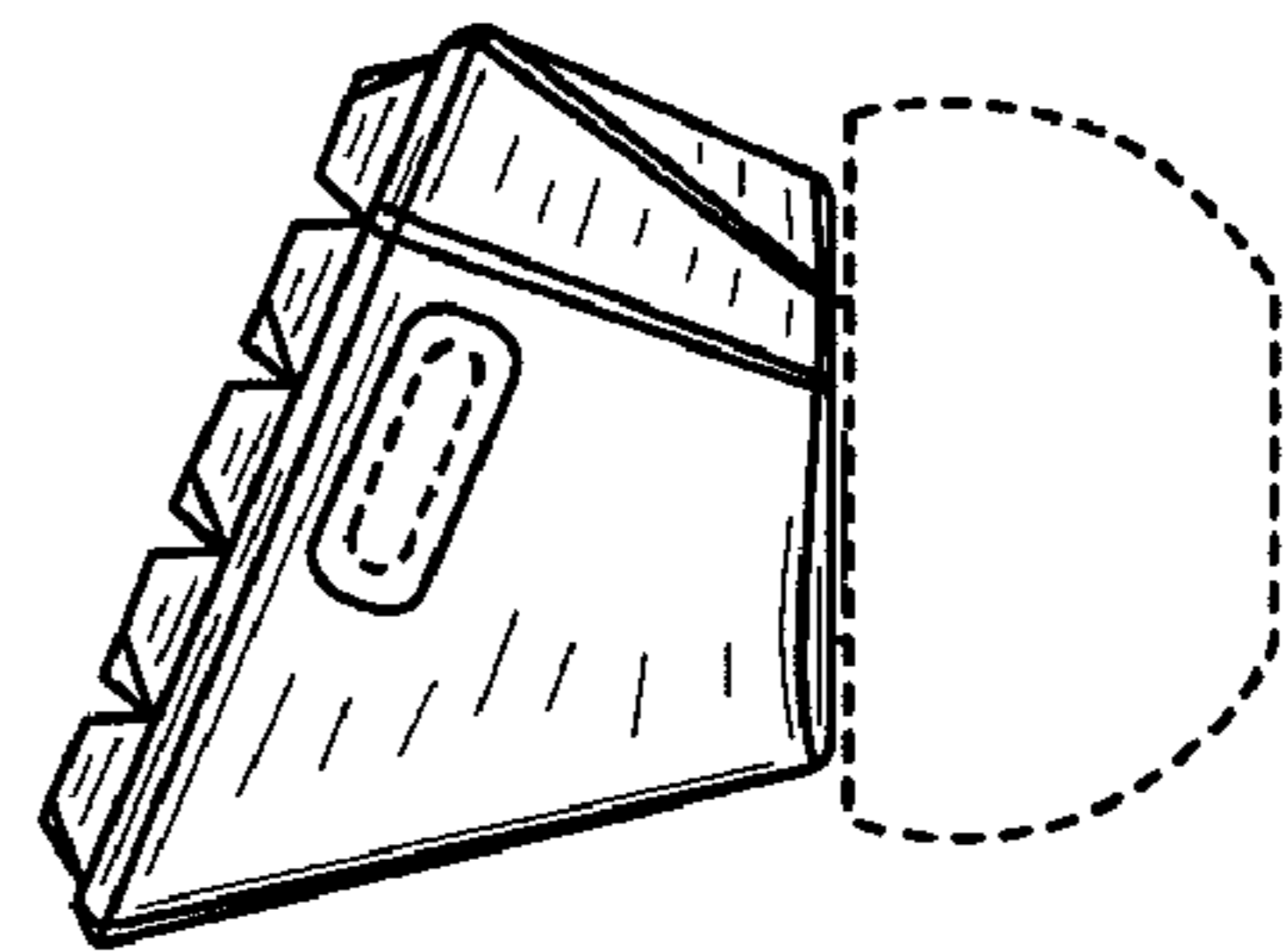


Figure 7

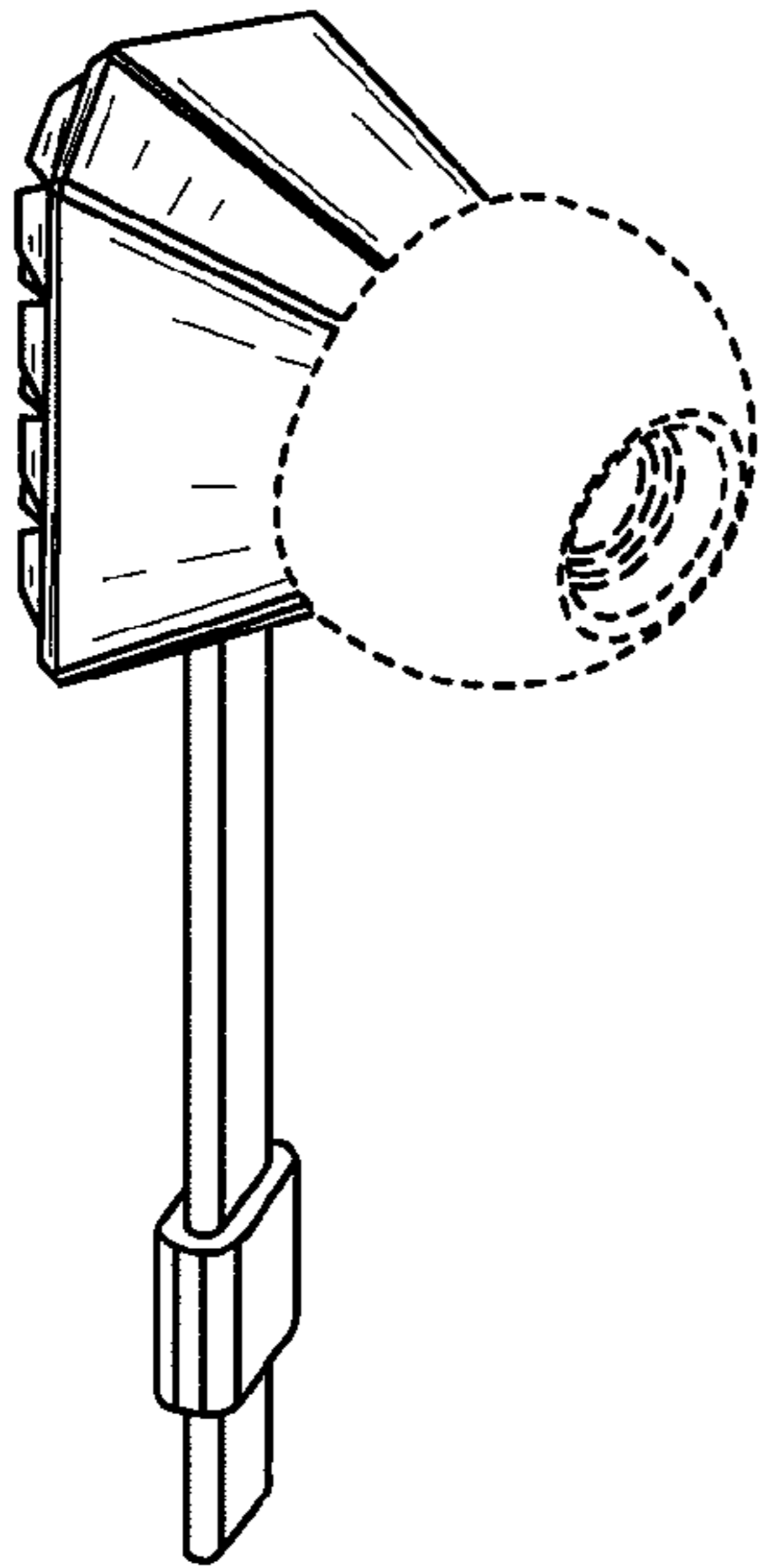


Figure 8

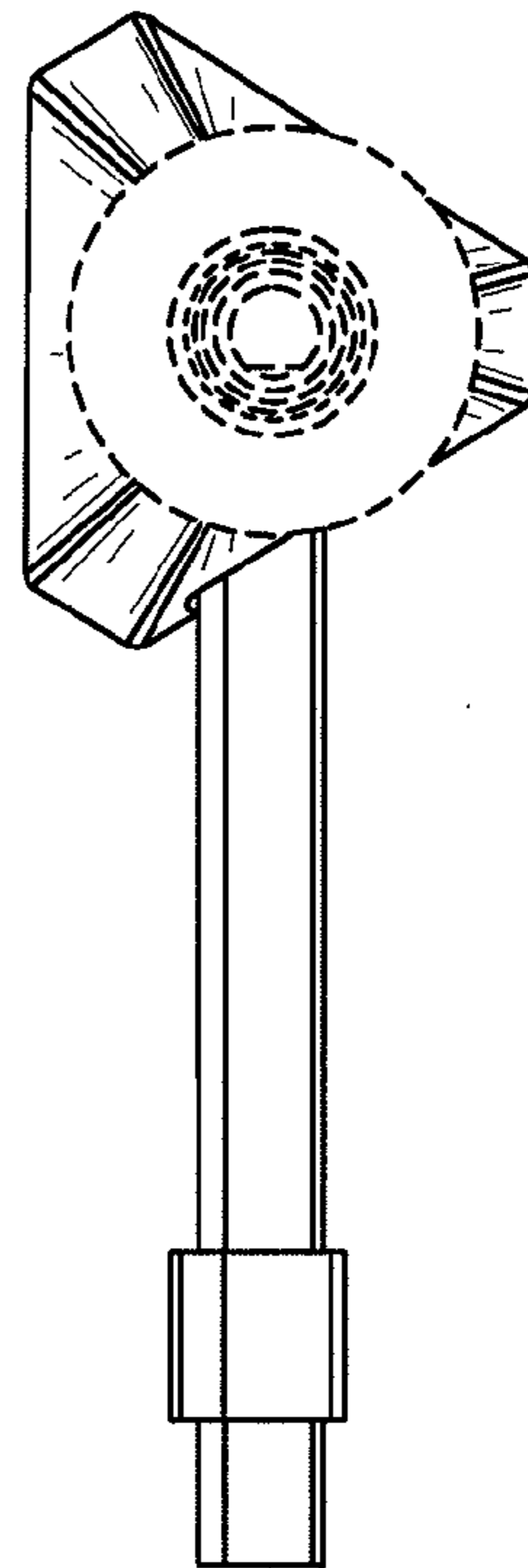


Figure 9

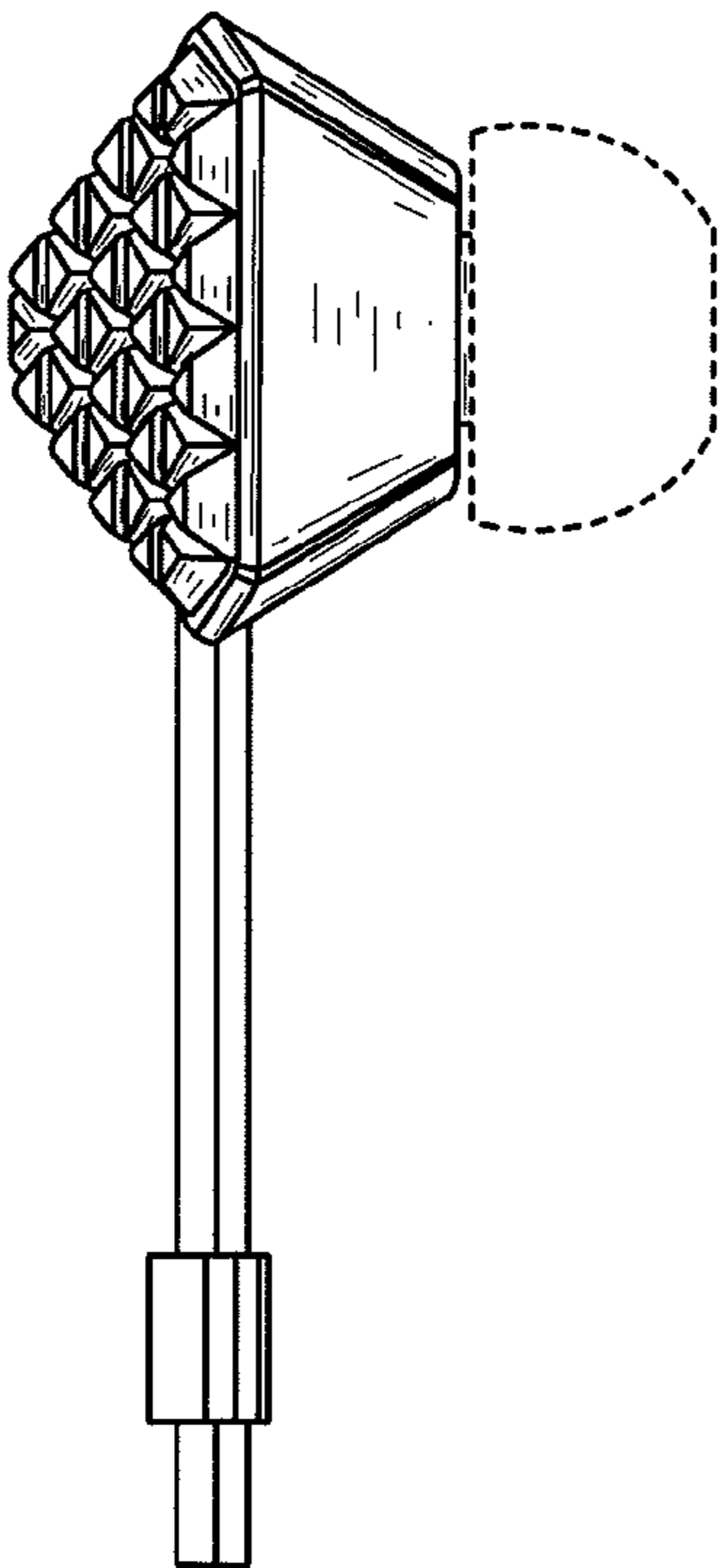


Figure 10

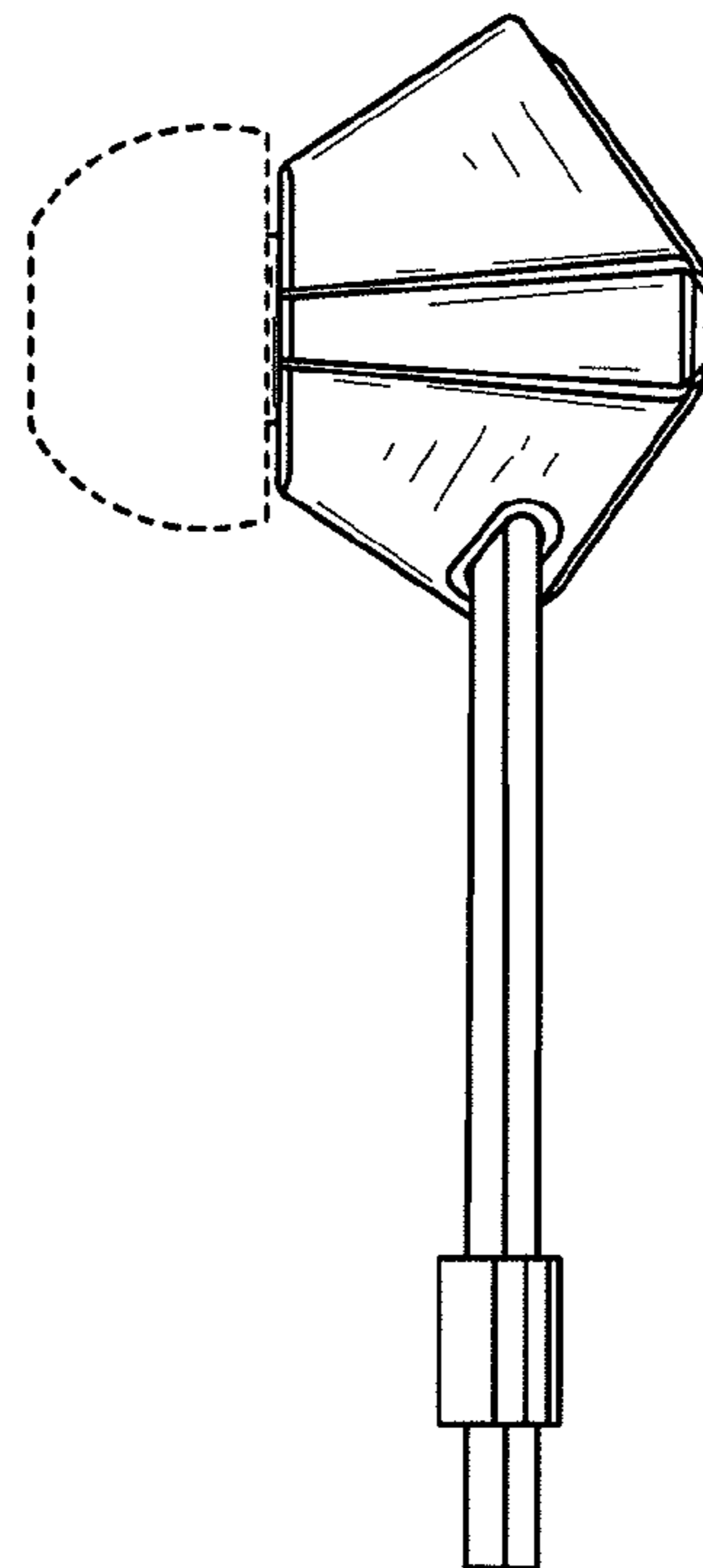


Figure 11

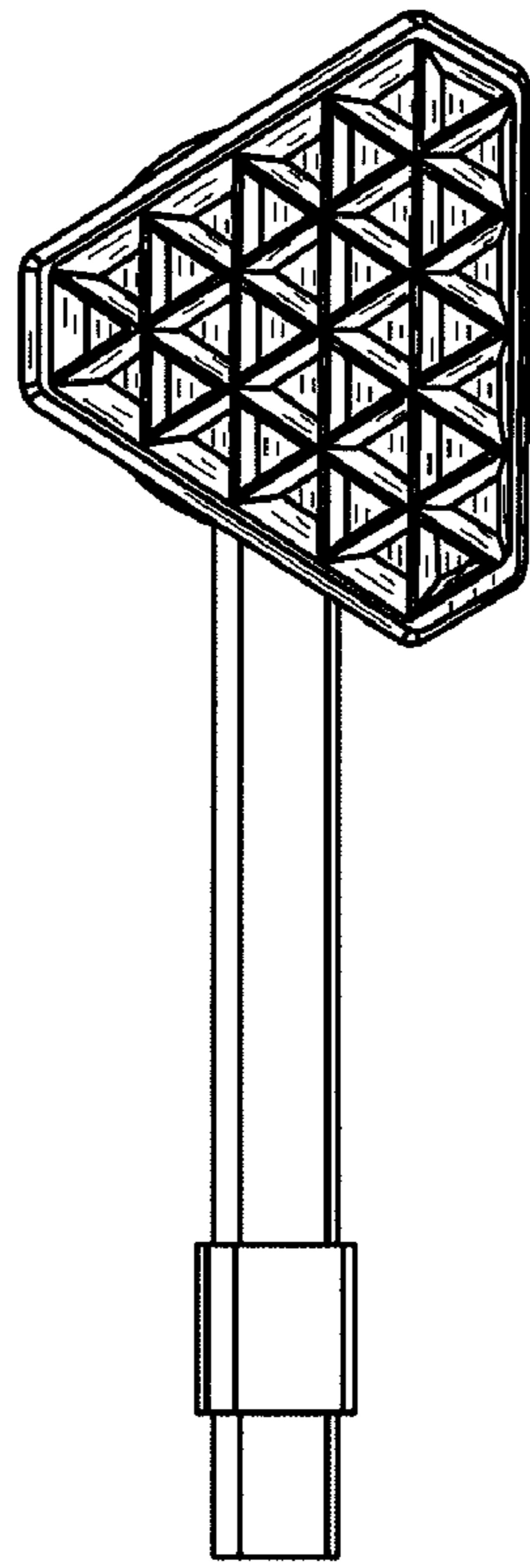


Figure 12

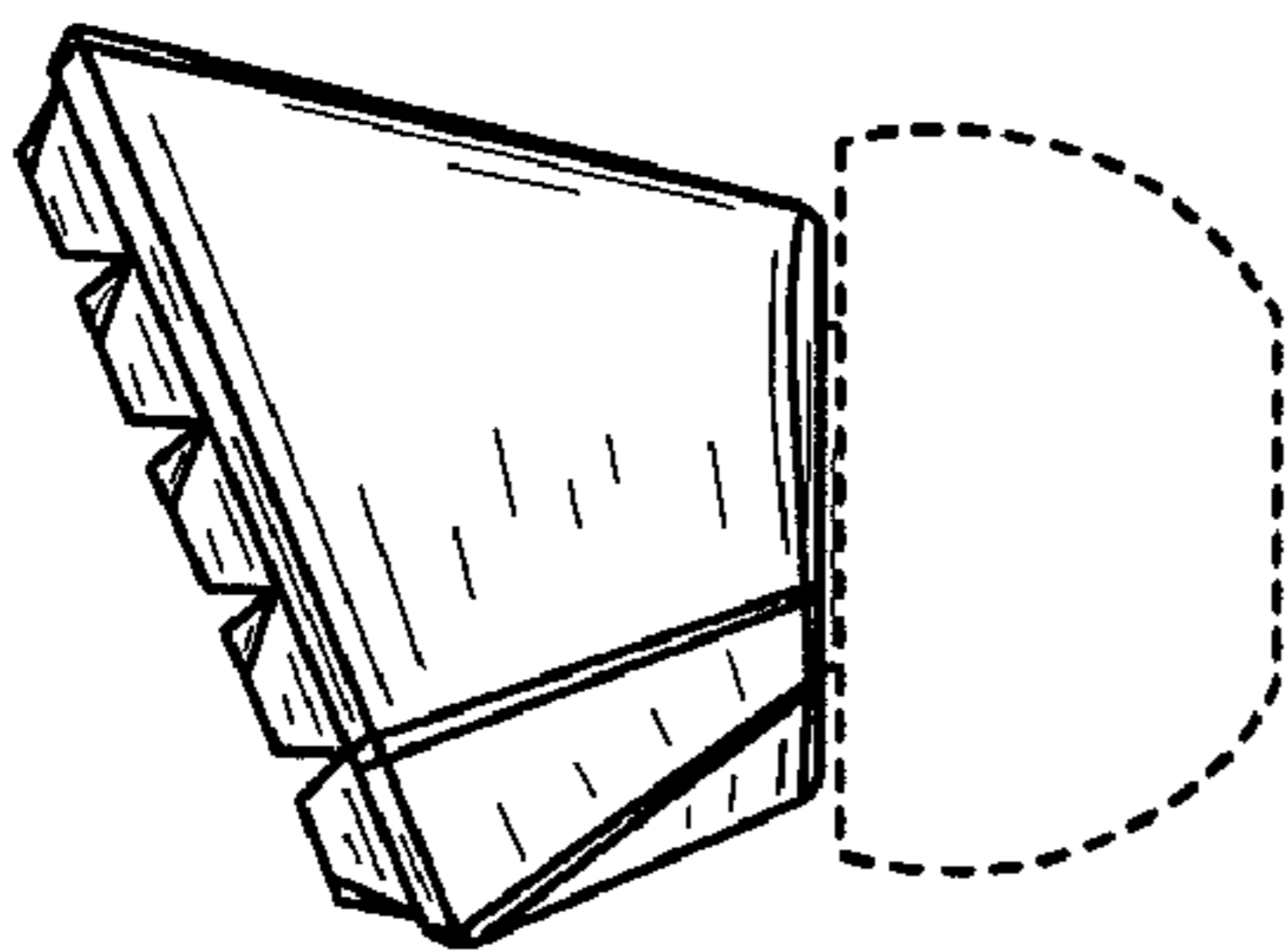


Figure 13

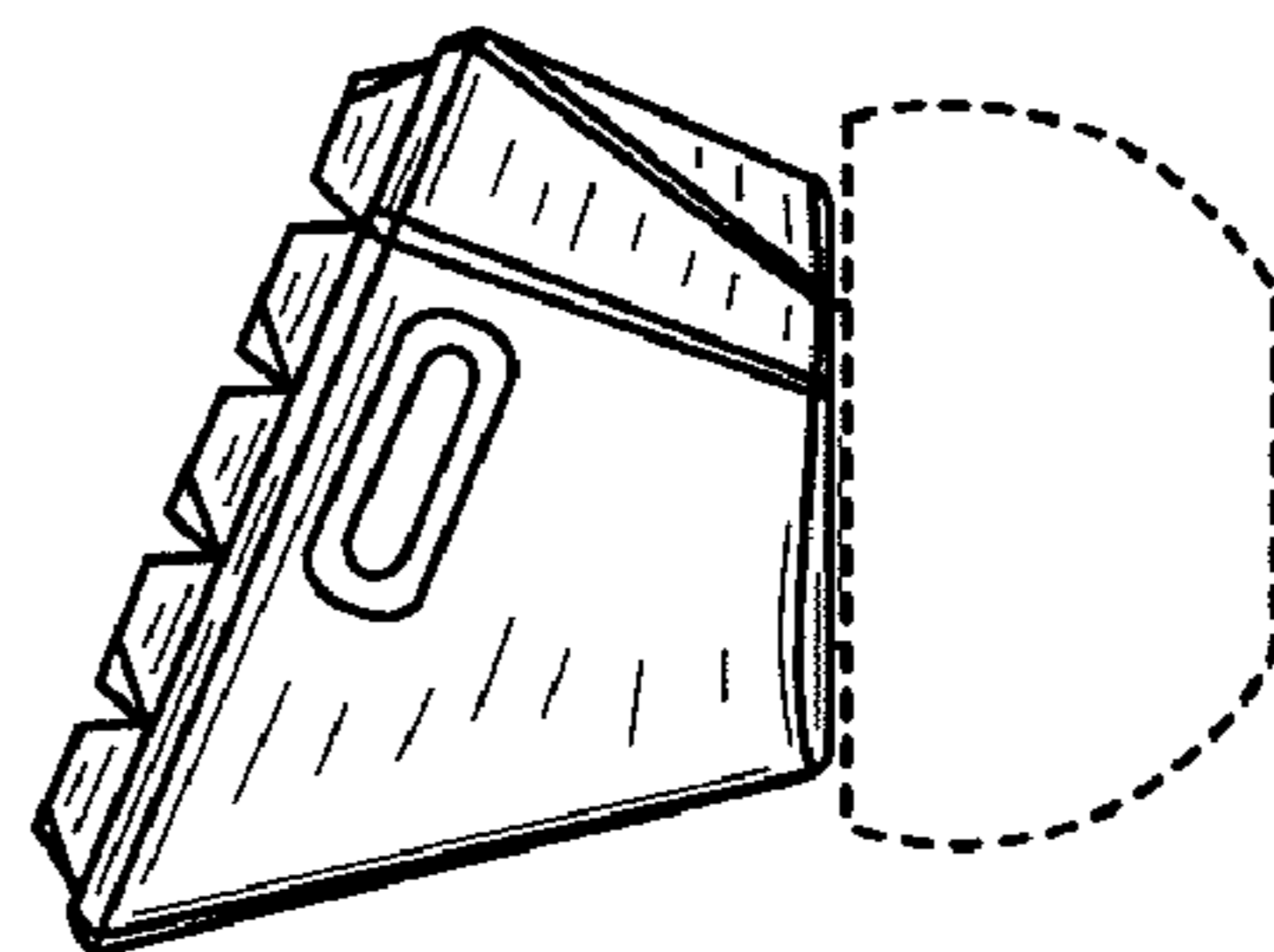


Figure 14