



US00D641735S

(12) **United States Design Patent**
Santa Maria et al.

(10) **Patent No.:** **US D641,735 S**
(45) **Date of Patent:** **** Jul. 19, 2011**

(54) **REMOTE CONTROL**

(75) Inventors: **Dominic D. Santa Maria**, Gloversville, NY (US); **Eugene W. Griesau**, Albany, NY (US)

(73) Assignee: **Contec, LLC**, Schenectady, NY (US)

(**) Term: **14 Years**

(21) Appl. No.: **29/387,198**

(22) Filed: **Mar. 10, 2011**

(51) **LOC (9) Cl.** **14-03**

(52) **U.S. Cl.** **D14/218**

(58) **Field of Classification Search** D14/218,
D14/455; D13/168; D21/566; D10/104,
D10/106; 345/169; 348/14.05, 114, 211.99,
348/734; 340/825.24; 341/22; 455/92, 95,
455/128, 151.1-151.4, 352, 355, FOR. 121;
700/65

See application file for complete search history.

(56) **References Cited**

U.S. PATENT DOCUMENTS

D380,752 S * 7/1997 Hanson D14/144
5,648,757 A * 7/1997 Vernace et al. 340/539.32
D417,219 S * 11/1999 Barrette et al. D14/218
D444,131 S * 6/2001 Pinchuk D13/168

D458,250 S * 6/2002 Kim et al. D14/218
D467,239 S 12/2002 Griesau et al.
D477,591 S * 7/2003 Hung D14/218
D498,747 S * 11/2004 Lin D14/218
D519,989 S * 5/2006 Wu D14/218
D520,987 S * 5/2006 Tyson D14/218
D561,178 S * 2/2008 Azuma D14/218
D606,981 S * 12/2009 Kaneko D14/218

* cited by examiner

Primary Examiner — Celia Murphy

Assistant Examiner — John Windmuller

(74) *Attorney, Agent, or Firm* — Heslin Rothenberg Farley & Mesiti P.C.

(57) **CLAIM**

The ornamental design for the remote control, as shown and described.

DESCRIPTION

FIG. 1 is a perspective view of a remote control of the present design;

FIG. 2 is a top plan view thereof;

FIG. 3 is a front elevation view thereof;

FIG. 4 is a right side elevation view thereof;

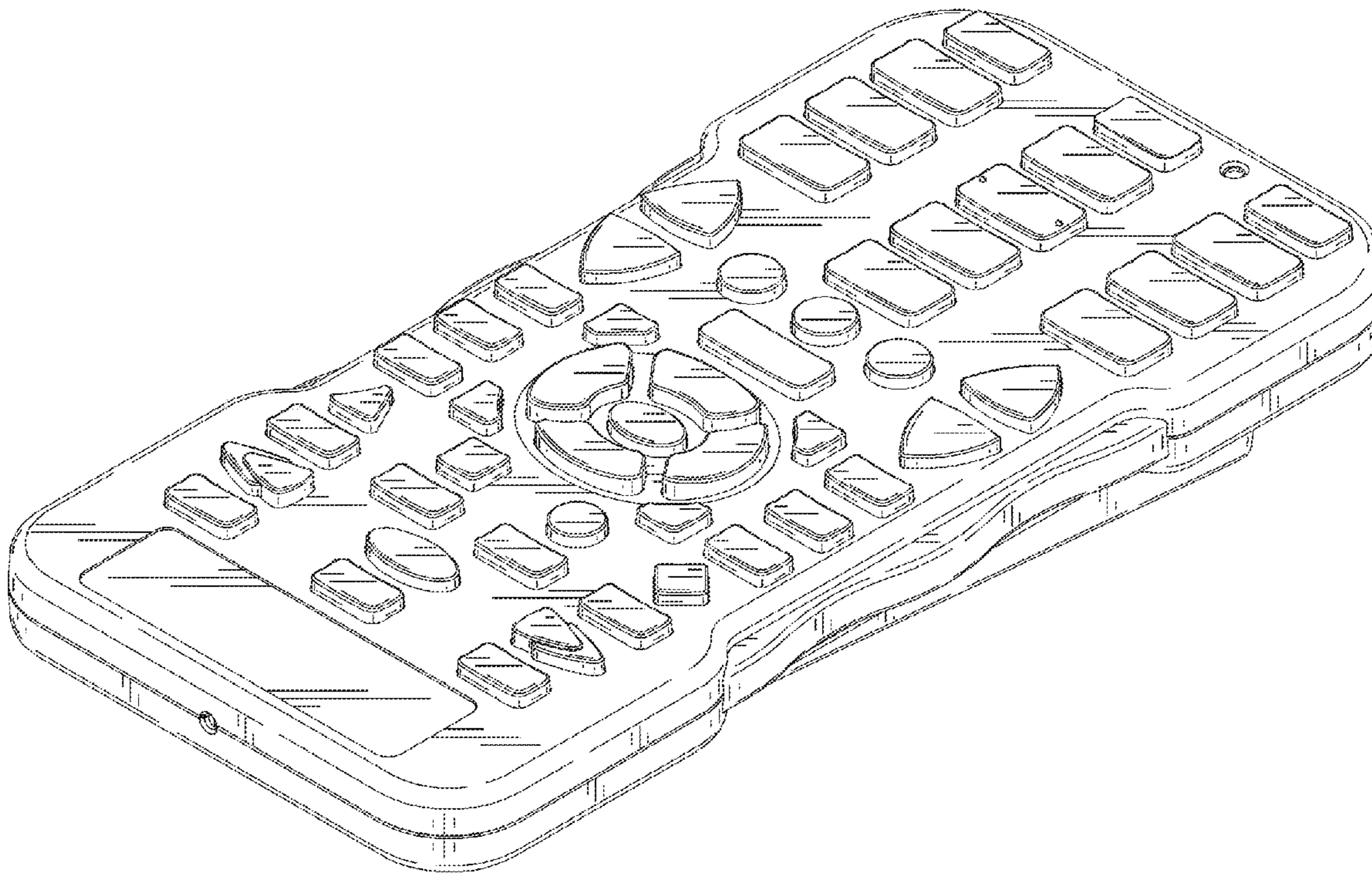
FIG. 5 is a rear elevation view thereof;

FIG. 6 is a left side elevation view; and,

FIG. 7 is a bottom plan view thereof.

The broken lines in the figures depict portions of the remote control that form no part of the claimed design.

1 Claim, 7 Drawing Sheets



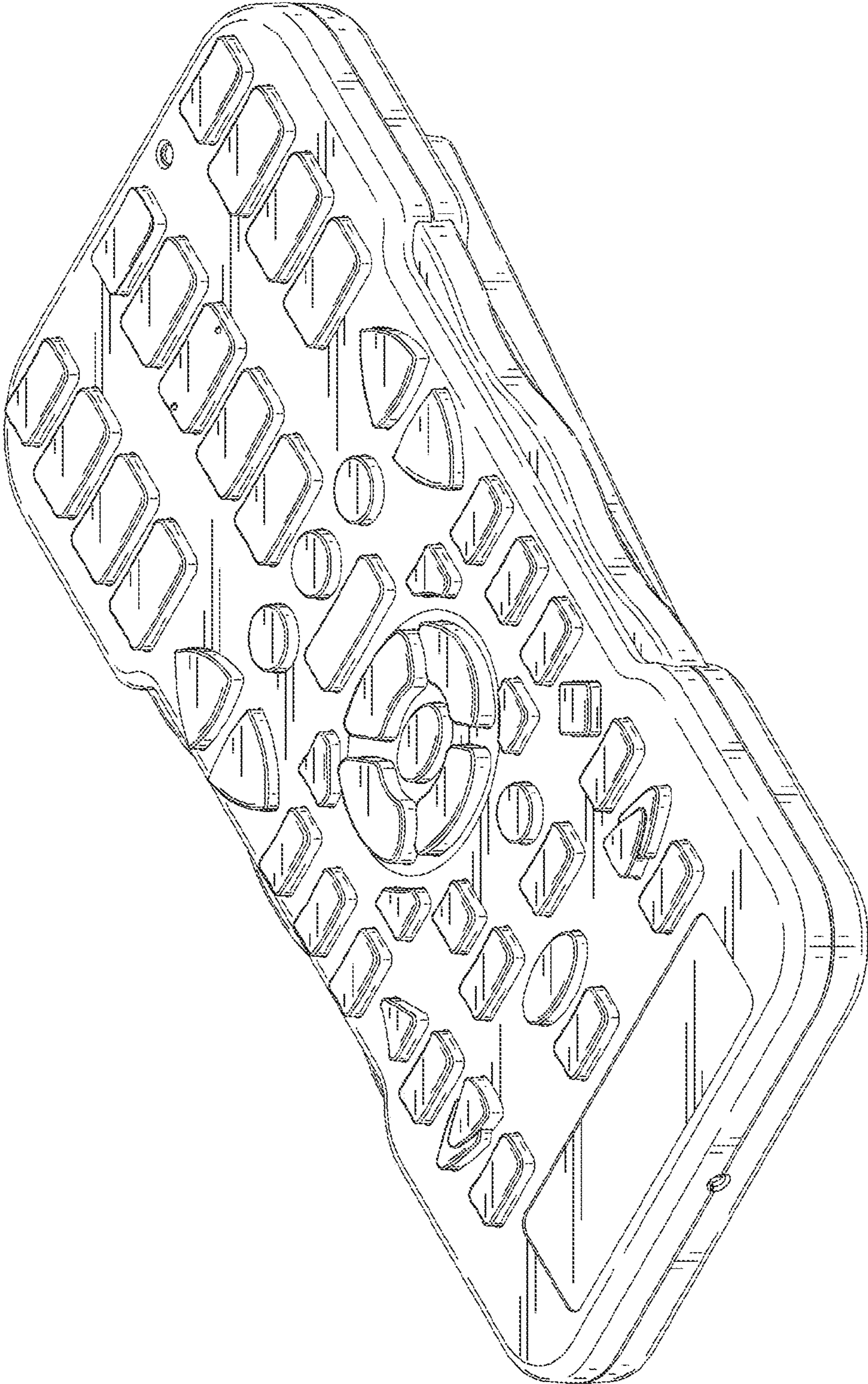


FIG. 1

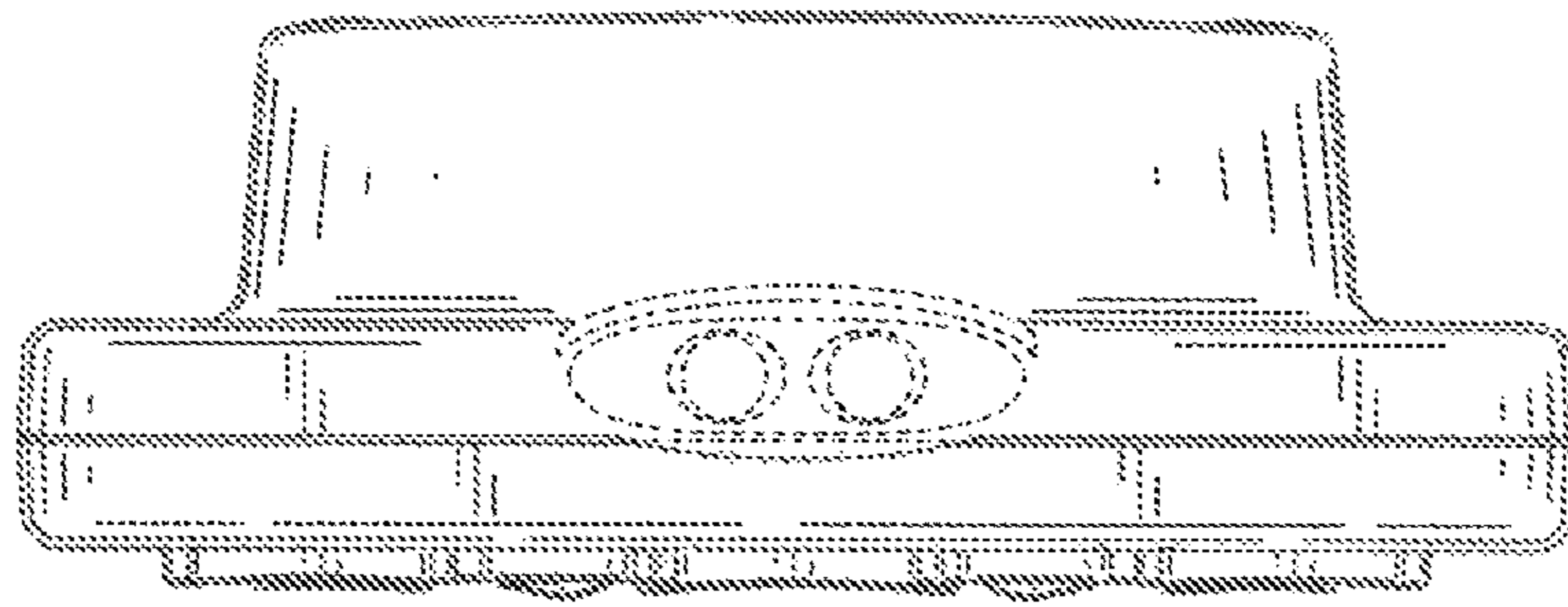


FIG. 2

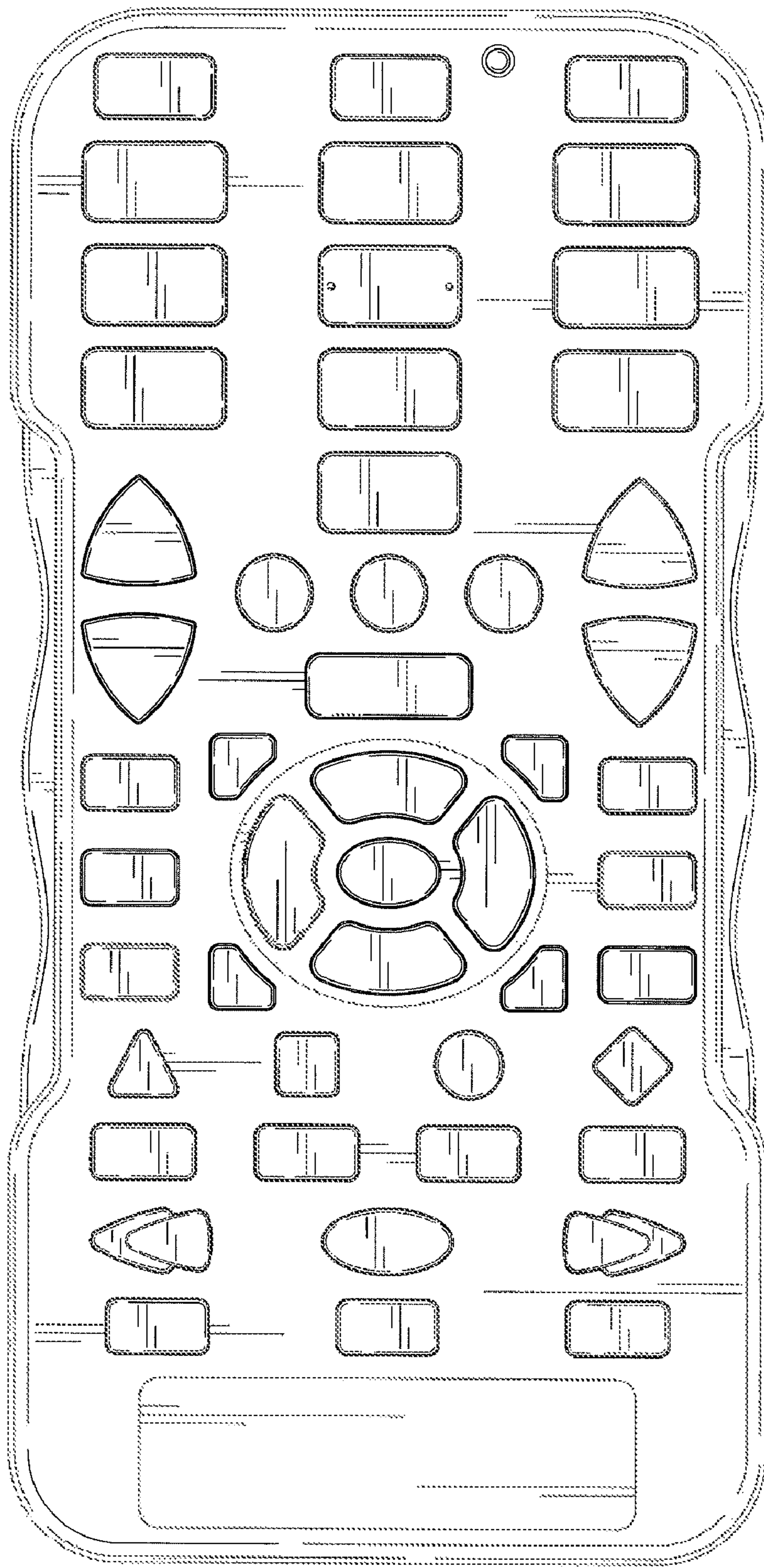


FIG. 3

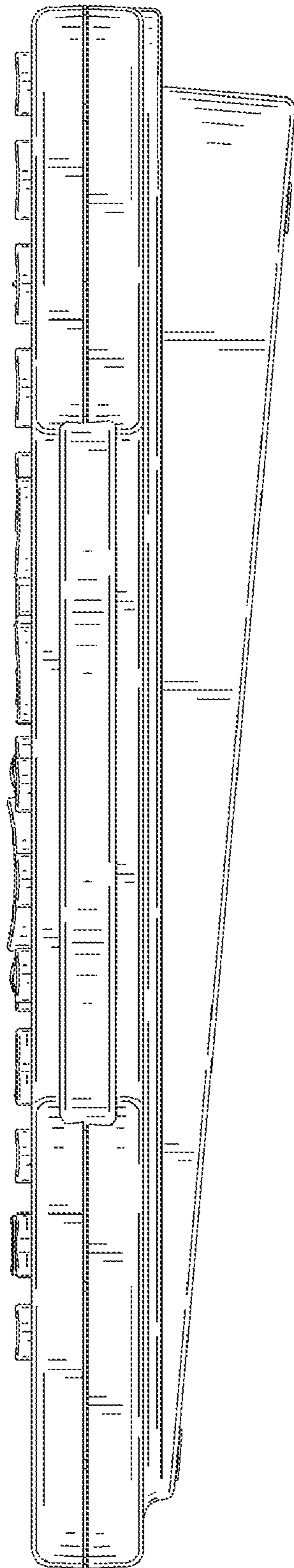


FIG. 4

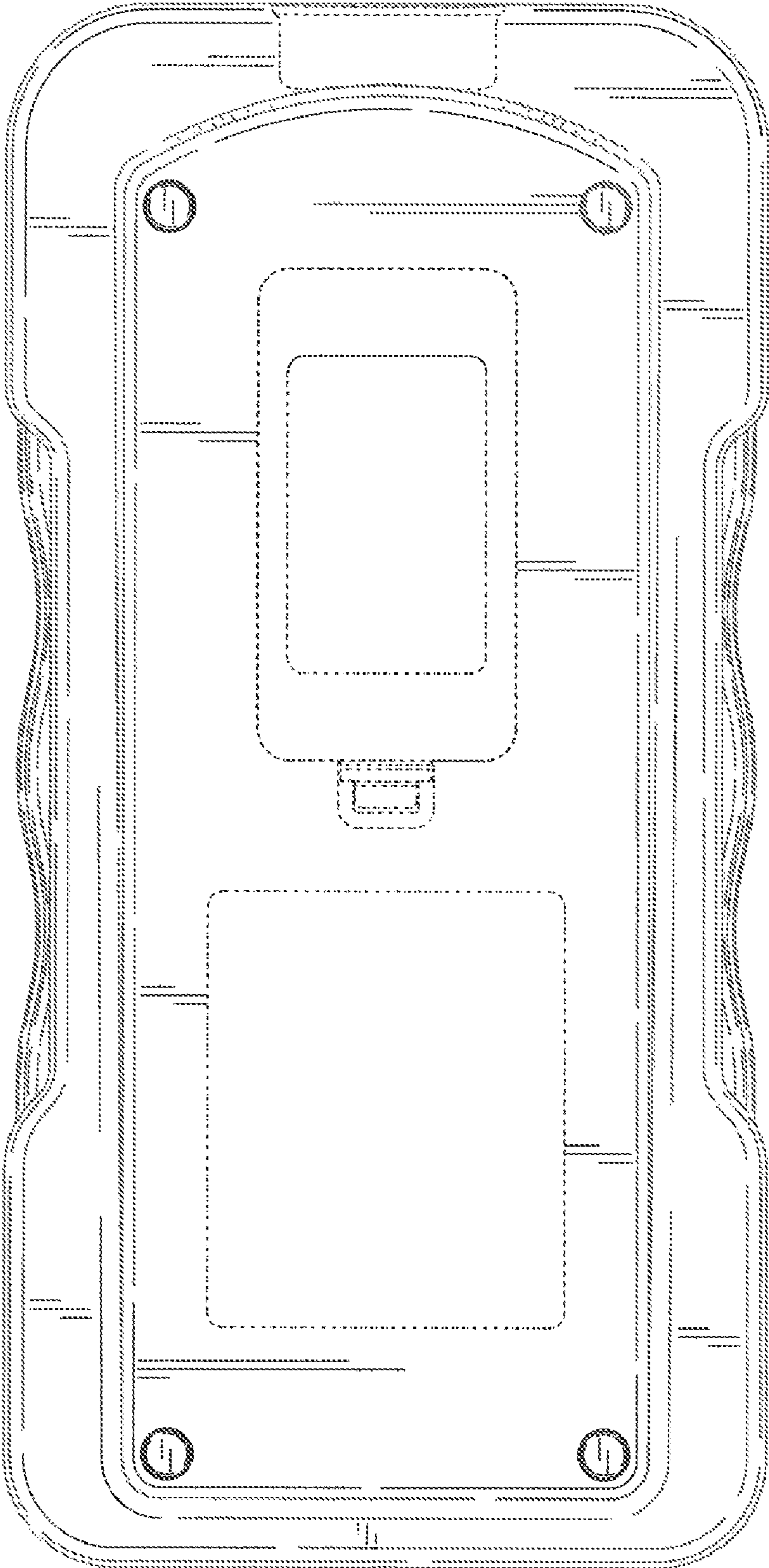


FIG. 5

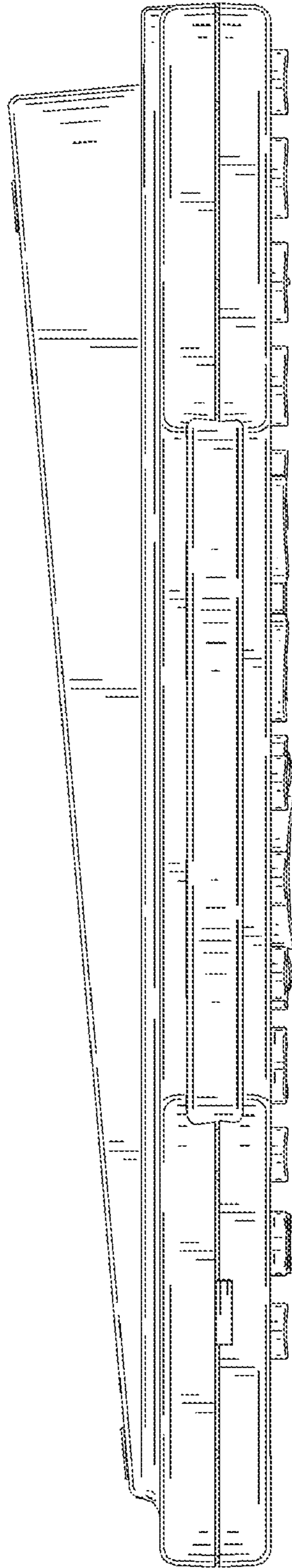


FIG. 6

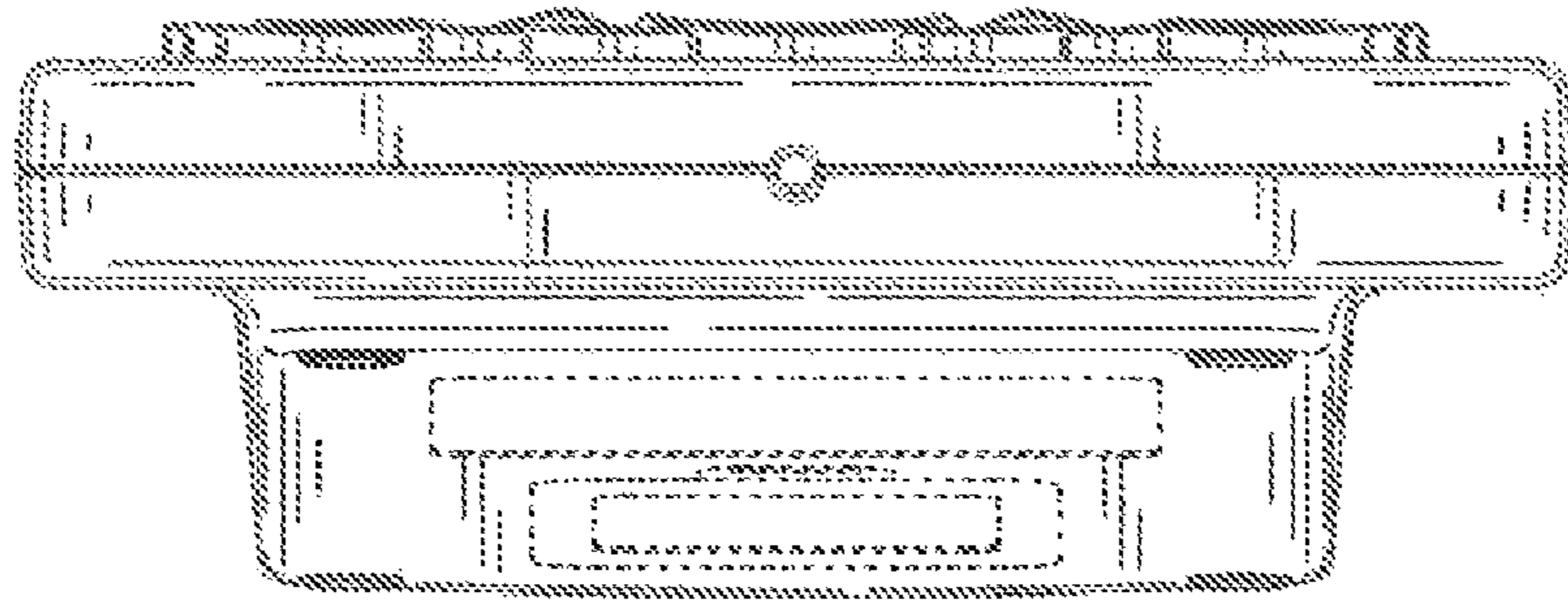


FIG. 7