



US00D641733S

(12) **United States Design Patent**
Jenkins

(10) **Patent No.:** **US D641,733 S**
(45) **Date of Patent:** **** Jul. 19, 2011**

(54) **AUDIO EQUIPMENT**

(75) Inventor: **Rob Jenkins**, Buckinghamshire (GB)

(73) Assignee: **Focusrite Audio Engineering Limited**,
Buckinghamshire (GB)

(**) Term: **14 Years**

(21) Appl. No.: **29/379,018**

(22) Filed: **Nov. 12, 2010**

(30) **Foreign Application Priority Data**

May 13, 2010 (EM) 001707605-0001

(51) **LOC (9) Cl.** **14-01**

(52) **U.S. Cl.** **D14/217**

(58) **Field of Classification Search** D14/162,
D14/167-169, 175, 188, 196-198, 217, 257,
D14/258, 496; D13/163, 164; 84/625, 660,
84/697; 455/350

See application file for complete search history.

(56) **References Cited**

U.S. PATENT DOCUMENTS

D273,950 S * 5/1984 Itoh et al. D14/217
D325,737 S * 4/1992 Ito et al. D14/217

D443,606 S * 6/2001 Ito et al. D14/217
D455,731 S * 4/2002 Mackie et al. D14/217
D500,027 S * 12/2004 Takahashi D14/217
D501,462 S * 2/2005 Takahashi D14/217
D555,637 S * 11/2007 Ishizaki et al. D14/217
D561,735 S * 2/2008 Nagura et al. D14/168
D573,587 S * 7/2008 Amiya D14/217
D578,513 S * 10/2008 Mazur D14/217
D626,115 S * 10/2010 Suzuki D14/217
D630,617 S * 1/2011 Ayres et al. D14/217

* cited by examiner

Primary Examiner — Stella Reid

Assistant Examiner — Keli L Hill

(74) *Attorney, Agent, or Firm* — Westman, Champlin &
Kelly, P.A.; Z. Peter Sawicki

(57) **CLAIM**

The ornamental design for audio equipment, as shown and
described.

DESCRIPTION

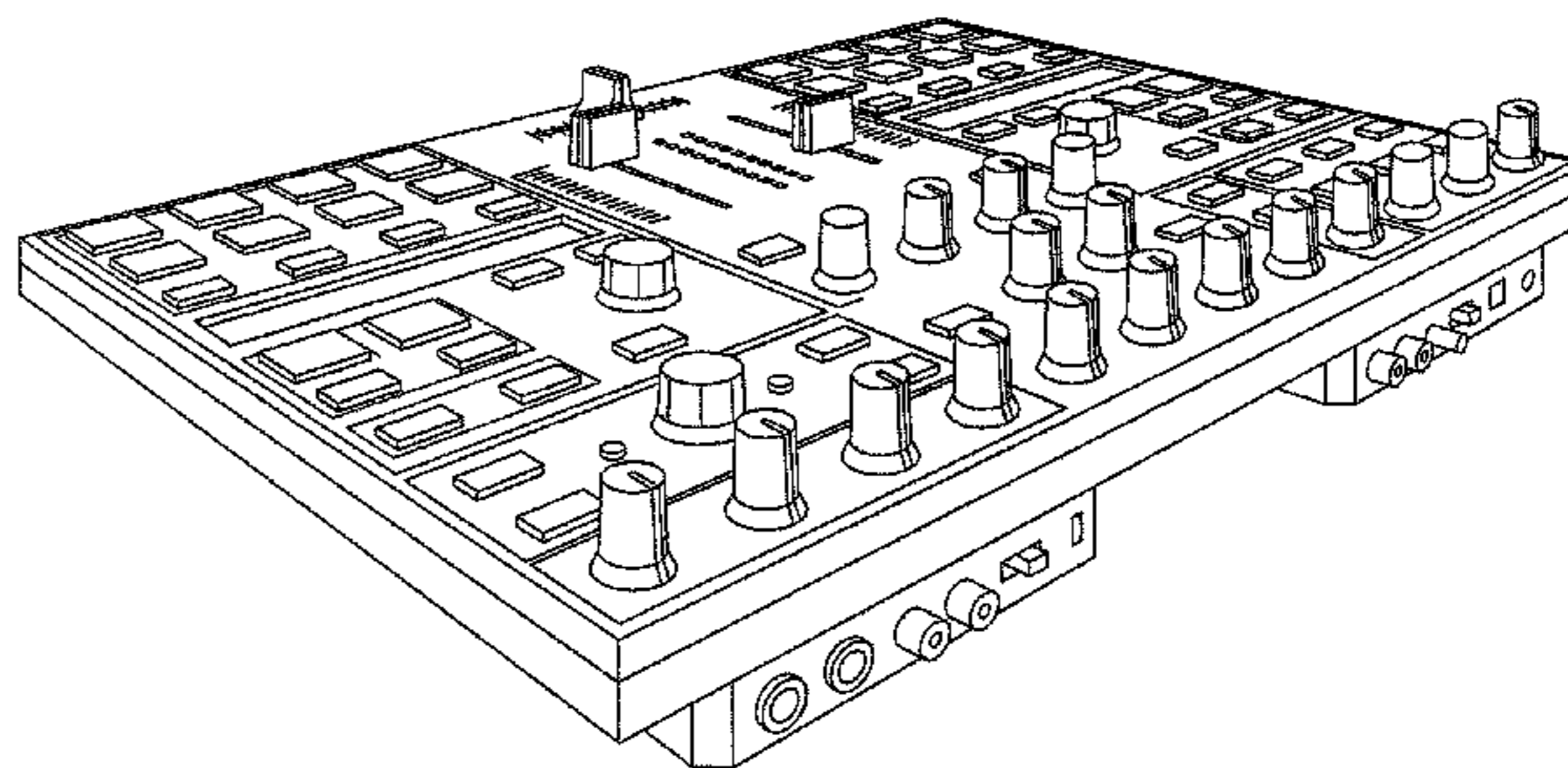
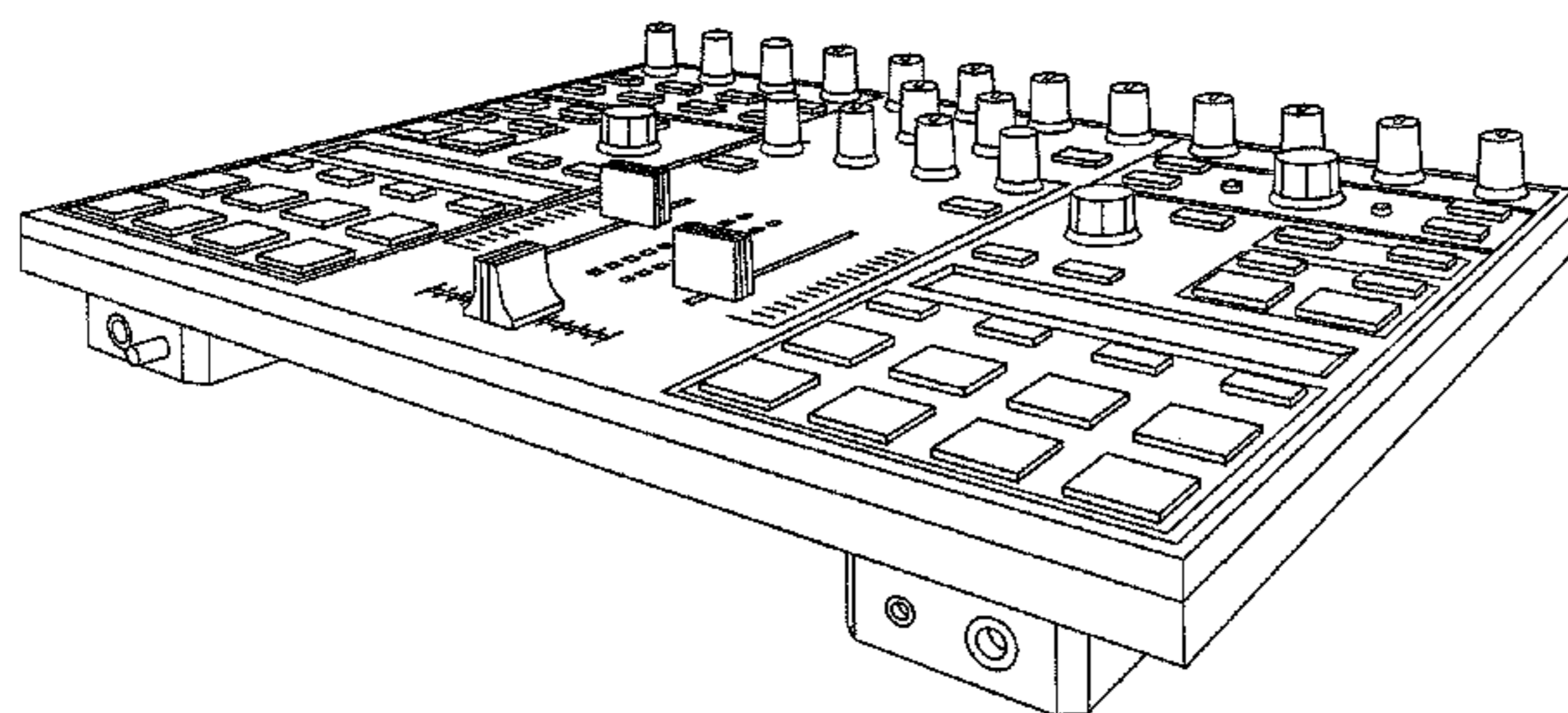
FIG. 1 is a top view of audio equipment, embodying our new
design;

FIG. 2 is a top, front perspective view thereof;

FIG. 3 is a top, rear perspective view thereof; and,

FIG. 4 is a top, front perspective view thereof, in an alternate
position.

1 Claim, 4 Drawing Sheets



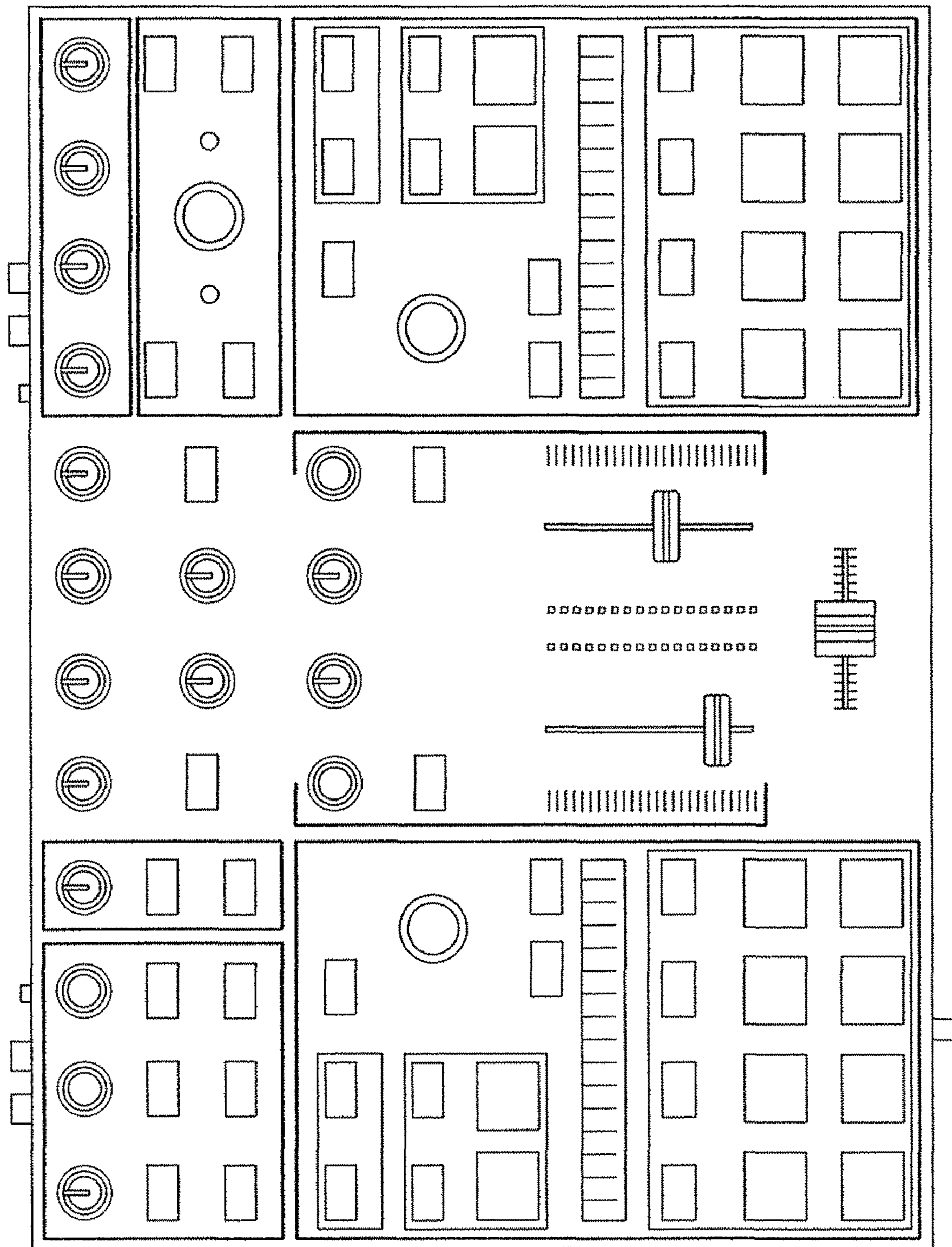


FIGURE 1

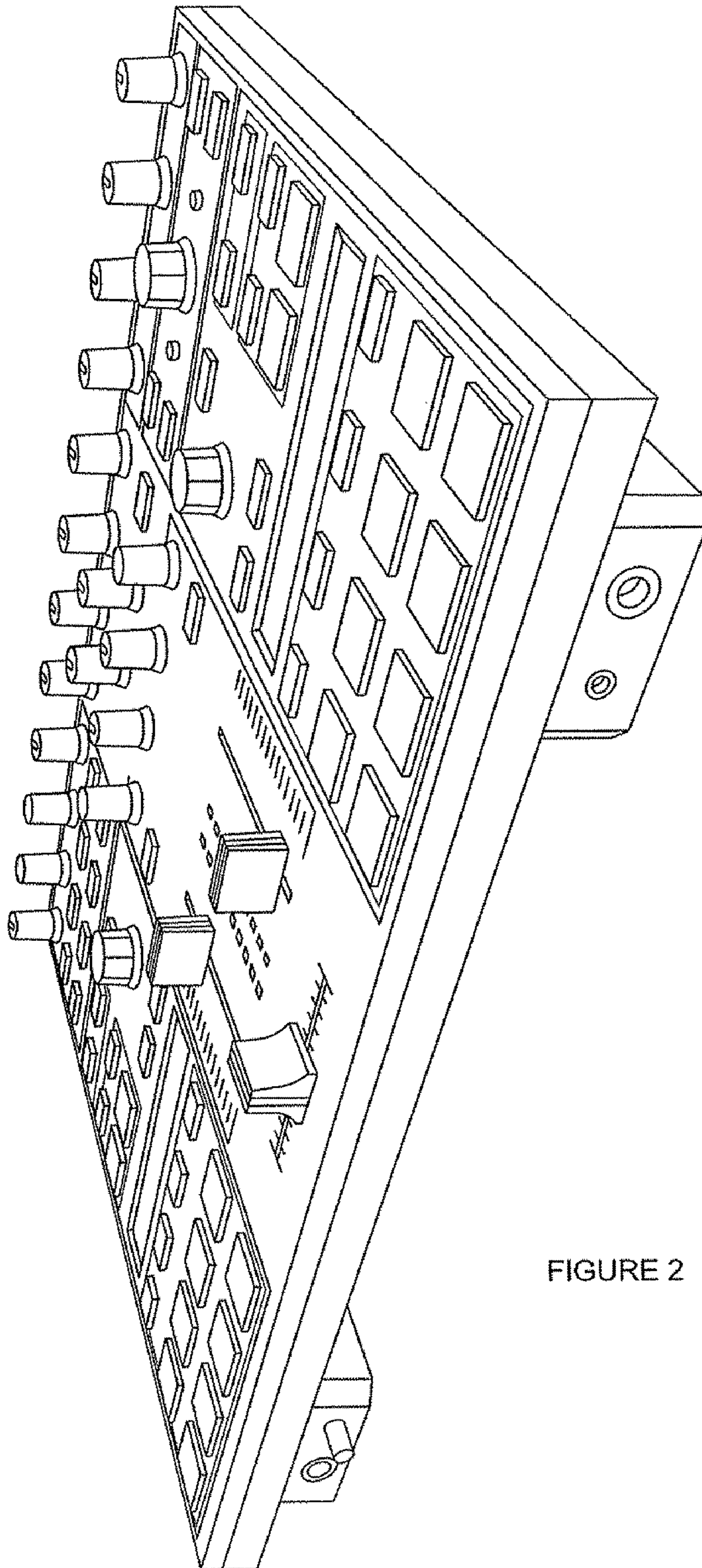


FIGURE 2

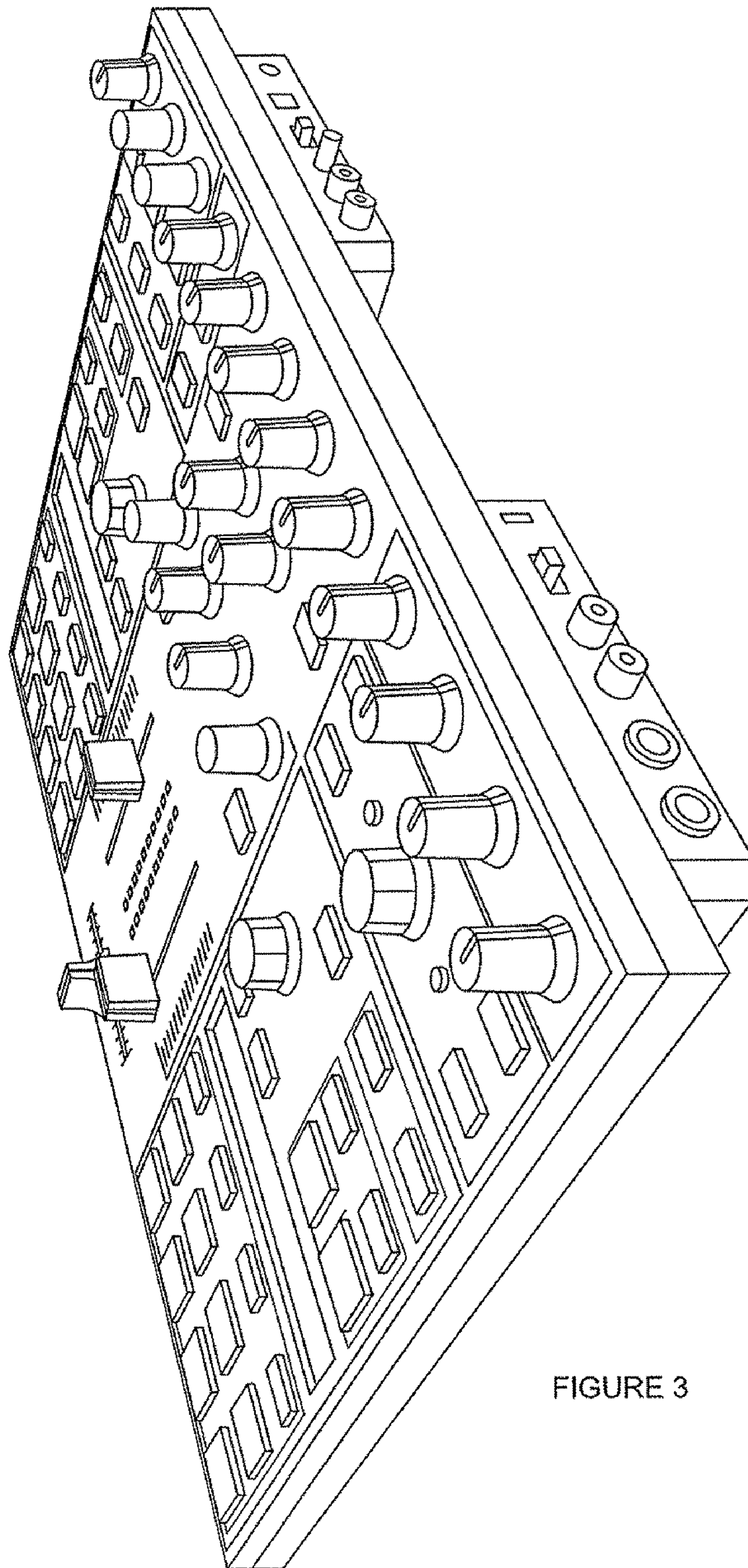


FIGURE 3

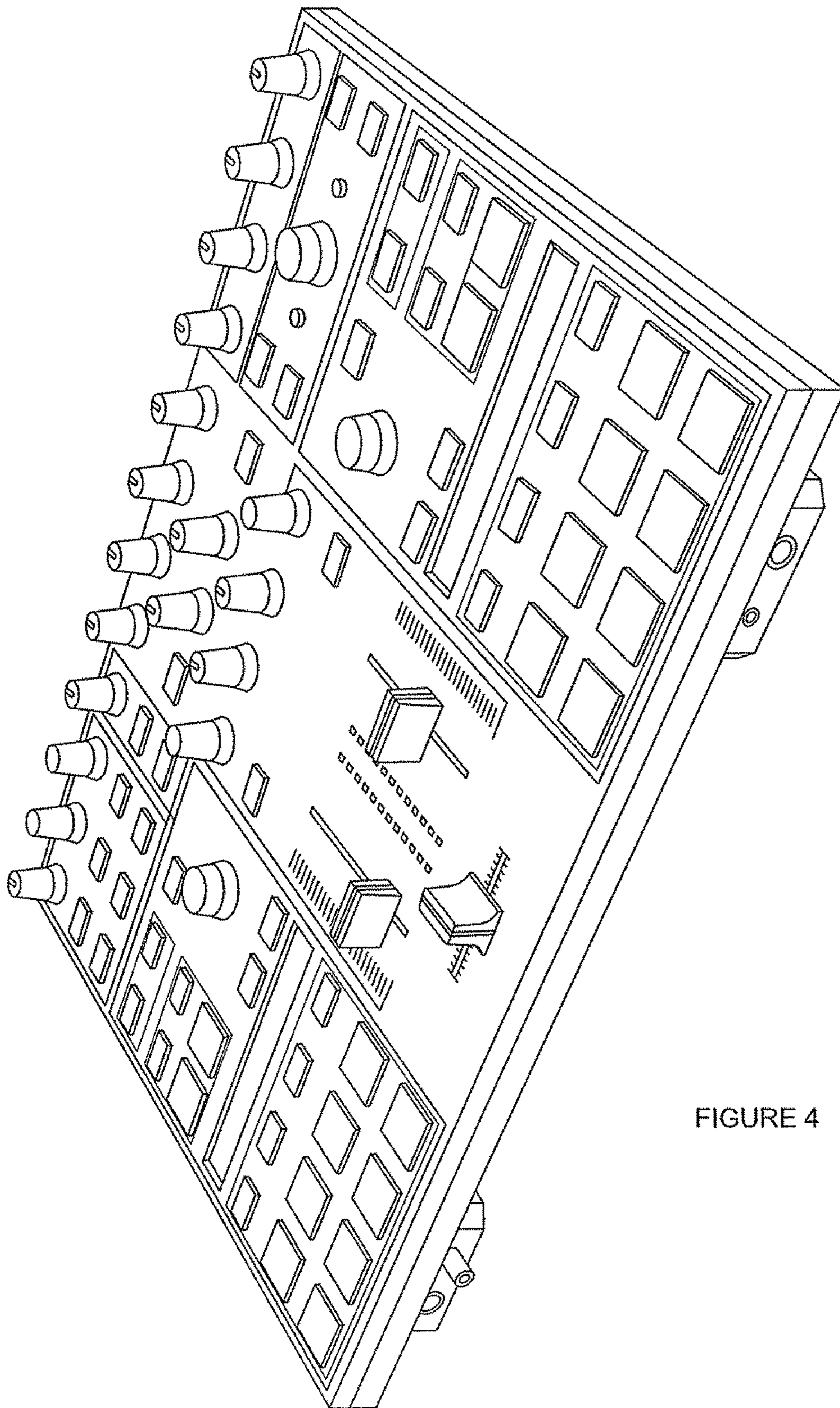


FIGURE 4