



US00D641731S

(12) **United States Design Patent**
Hoggarth et al.

(10) **Patent No.:** **US D641,731 S**

(45) **Date of Patent:** **** Jul. 19, 2011**

(54) **SPEAKER**

(75) Inventors: **Marcus Hoggarth**, St. Albans (GB);
Matthew Leck, London (GB); **Paul Harris**, Malvern (GB)

(73) Assignee: **B&W Group Ltd.**, Worthing (GB)

(**) Term: **14 Years**

(21) Appl. No.: **29/361,117**

(22) Filed: **May 5, 2010**

(30) **Foreign Application Priority Data**

Nov. 5, 2009 (GB) 4013111

(51) **LOC (9) Cl.** **14-01**

(52) **U.S. Cl.** **D14/216**

(58) **Field of Classification Search** D14/204,
D14/207, 210-216, 172, 194, 496; 181/143-144,
181/147-148, 150-153, 157, 198-199;
381/300-303, 306, 332-333, 336, 345, 361-364,
381/386-388

See application file for complete search history.

(56) **References Cited**

U.S. PATENT DOCUMENTS

4,805,729 A * 2/1989 Wascom 181/144
D480,383 S * 10/2003 Bolton et al. D14/214
D508,041 S * 8/2005 Carbone et al. D14/214

D537,070 S * 2/2007 Warden D14/214
D572,704 S * 7/2008 Chang D14/214
D578,105 S * 10/2008 Komiyama D14/214
D578,106 S * 10/2008 Shimizu D14/214
D593,130 S * 5/2009 Smith D14/496
D603,368 S * 11/2009 Jang D14/194

FOREIGN PATENT DOCUMENTS

EM 001059125-0001 10/2009
EM 001059125-0002 10/2009

OTHER PUBLICATIONS

Siddharth Bhatia, "JBL MX 100 Music System", <http://tech2.In.com/india/reviews/speakers/jbl-mx100-music-system/89992/0>, Oct. 8, 2009.

* cited by examiner

Primary Examiner — Nanda Bondade

(74) *Attorney, Agent, or Firm* — Buchanan Ingersoll & Rooney PC

(57) **CLAIM**

The ornamental design for a speaker, as shown and described.

DESCRIPTION

FIG. 1 is a side elevational view of a speaker according to our new design, the other side being a mirror image thereof.

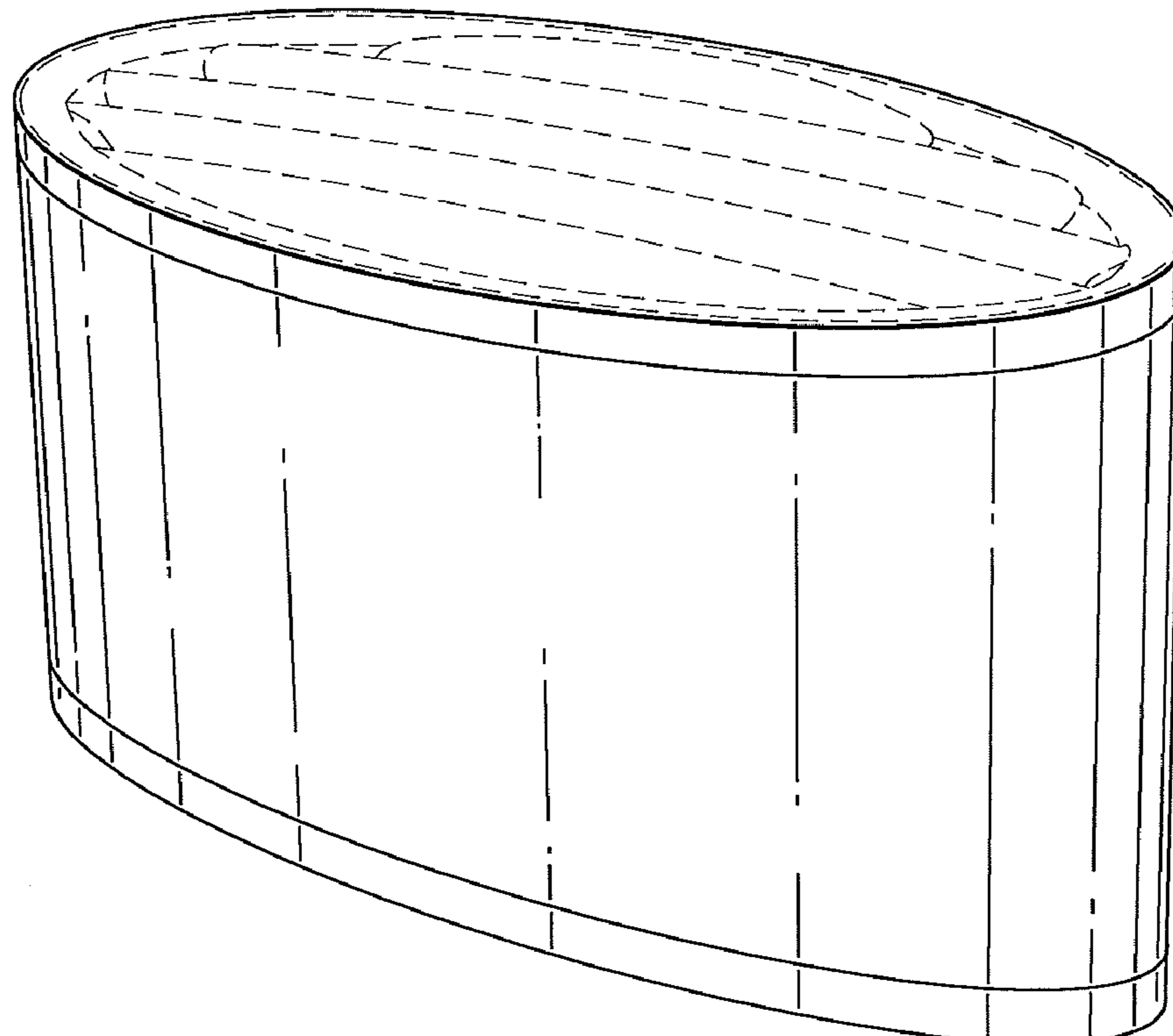
FIG. 2 is a front elevational view thereof.

FIG. 3 is a perspective view thereof; and,

FIG. 4 is a top plan view thereof.

The broken line disclosure depicts environmental subject matter that forms no part of the claimed design.

1 Claim, 2 Drawing Sheets



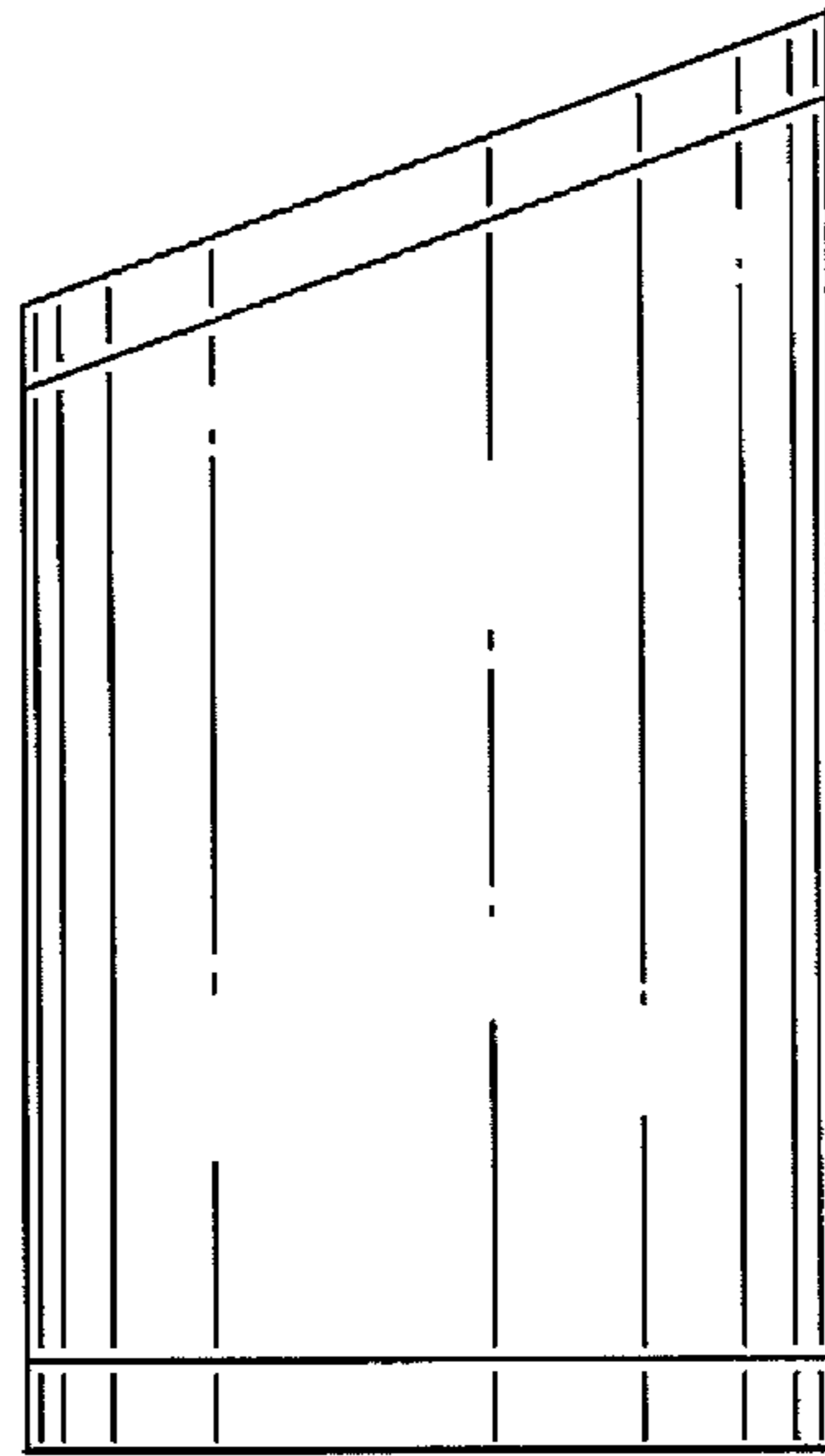


FIG. 1

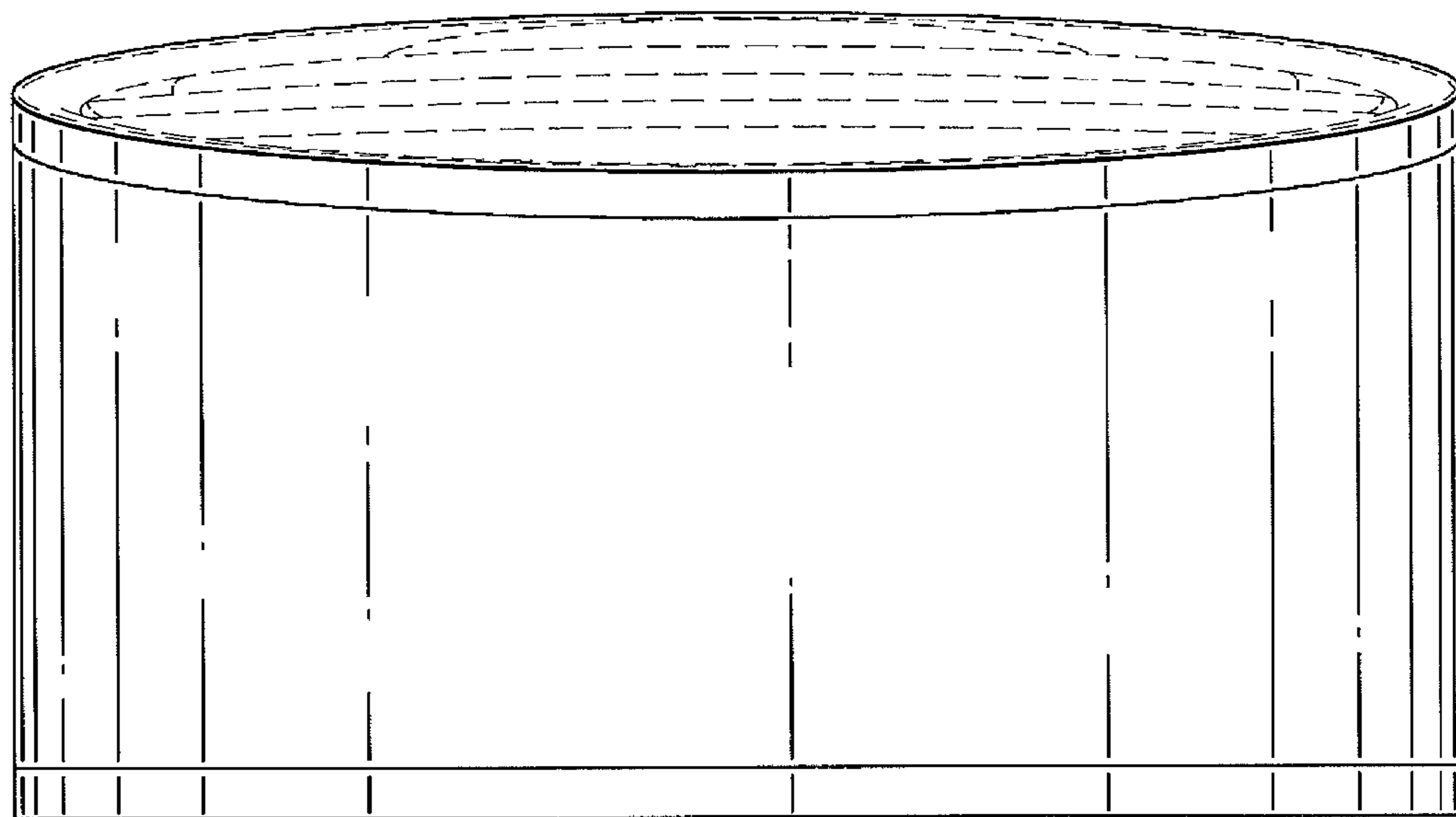


FIG. 2

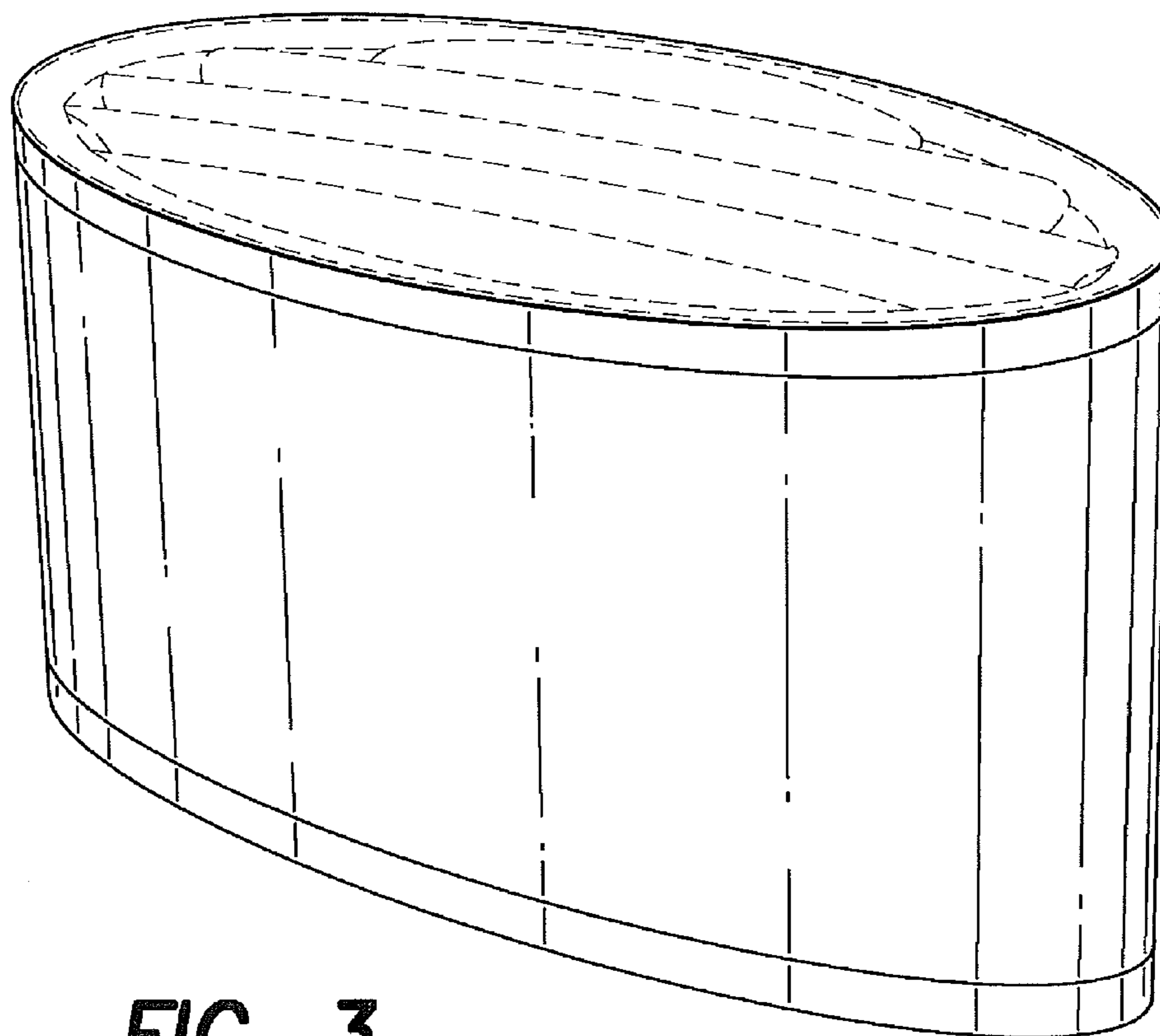


FIG. 3

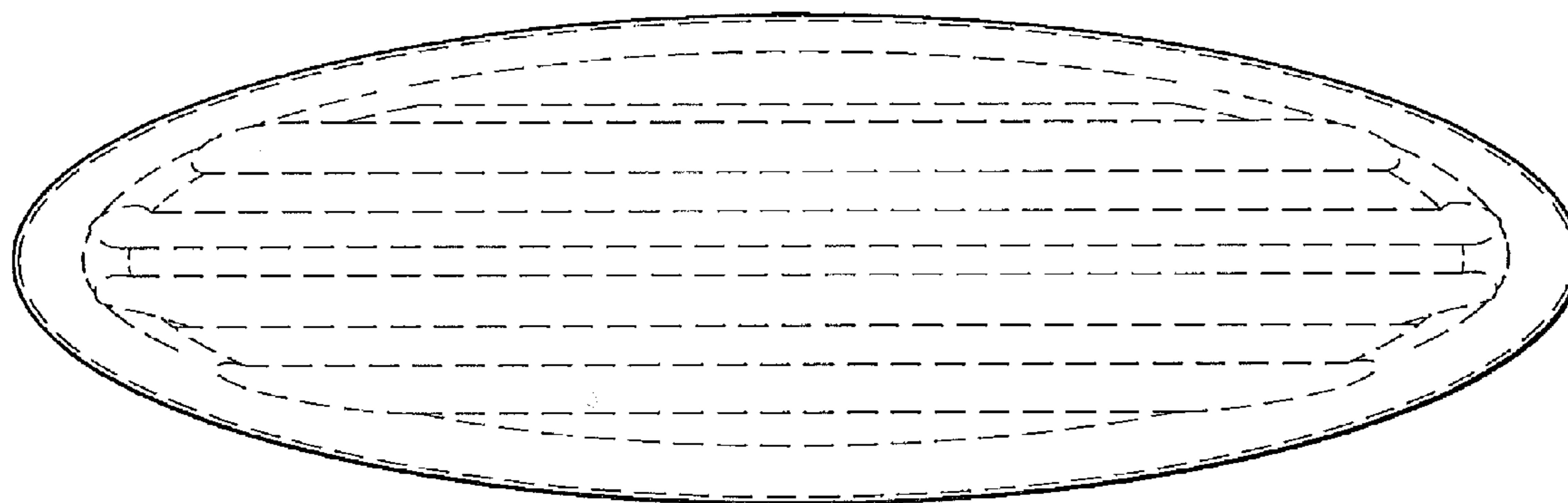


FIG. 4