



US00D641730S

(12) **United States Design Patent**
Oota

(10) **Patent No.:** **US D641,730 S**
(45) **Date of Patent:** **** Jul. 19, 2011**

(54) **SPEAKER BOX**

D342,738 S * 12/1993 Hwang D14/213
D484,492 S * 12/2003 Welker et al. D14/216
D570,829 S 6/2008 Matsuoka

(75) Inventor: **Kiyoshi Oota**, Tokyo (JP)

(73) Assignee: **Sony Corporation**, Tokyo (JP)

(**) Term: **14 Years**

(21) Appl. No.: **29/347,893**

(22) Filed: **Jul. 15, 2010**

(30) **Foreign Application Priority Data**

Jan. 19, 2010 (JP) D2010-001070

(51) **LOC (9) Cl.** **14-01**

(52) **U.S. Cl.** **D14/216**

(58) **Field of Classification Search** D14/204,
D14/207, 209.1, 210-216, 172, 168; 181/143-144,
181/147-148, 150-153, 157, 198-199;
381/300-303, 306, 332-333, 336, 345, 361-364,
381/386-388

See application file for complete search history.

(56) **References Cited**

U.S. PATENT DOCUMENTS

D215,853 S * 11/1969 La Zar et al. D14/212
D280,984 S * 10/1985 Tricker D14/214

FOREIGN PATENT DOCUMENTS

JP D1278173 S 8/2006

* cited by examiner

Primary Examiner — Nanda Bondade

(74) *Attorney, Agent, or Firm* — Rader, Fishman & Grauer
PLLC

(57) **CLAIM**

The ornamental design for an speaker box, as shown and
described.

DESCRIPTION

FIG. 1 is a perspective view of an audio player showing my
new design;

FIG. 2 is a front elevational view thereof;

FIG. 3 is a rear elevational view thereof;

FIG. 4 is a left side elevational view thereof;

FIG. 5 is a right side elevational view thereof;

FIG. 6 is a top plan view thereof; and,

FIG. 7 is a bottom plan view thereof.

The broken line showing on the drawing disclosure is for
illustrative purposes only and forms no part of the claimed
design.

1 Claim, 7 Drawing Sheets

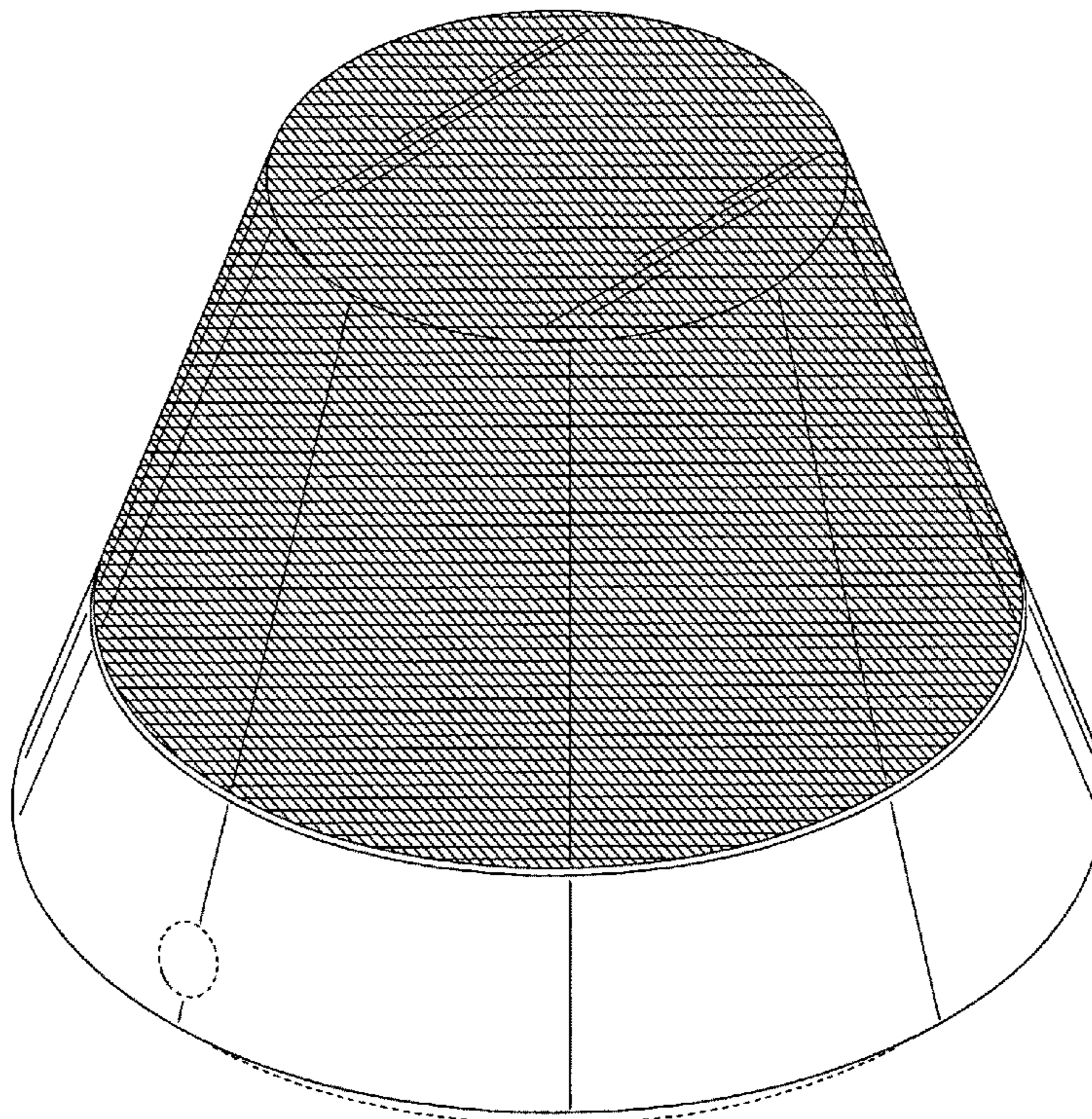


FIG.1

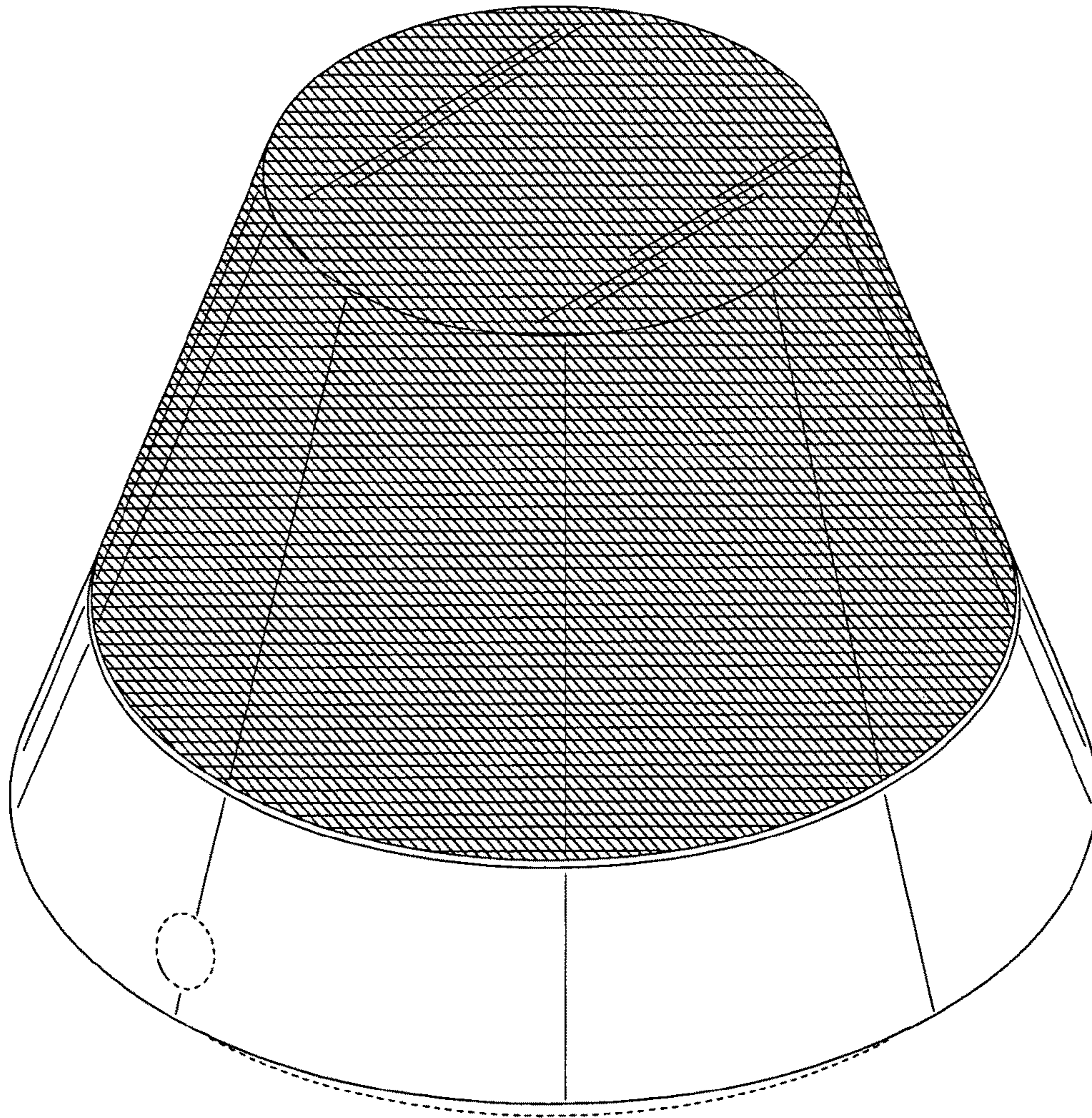


FIG.2

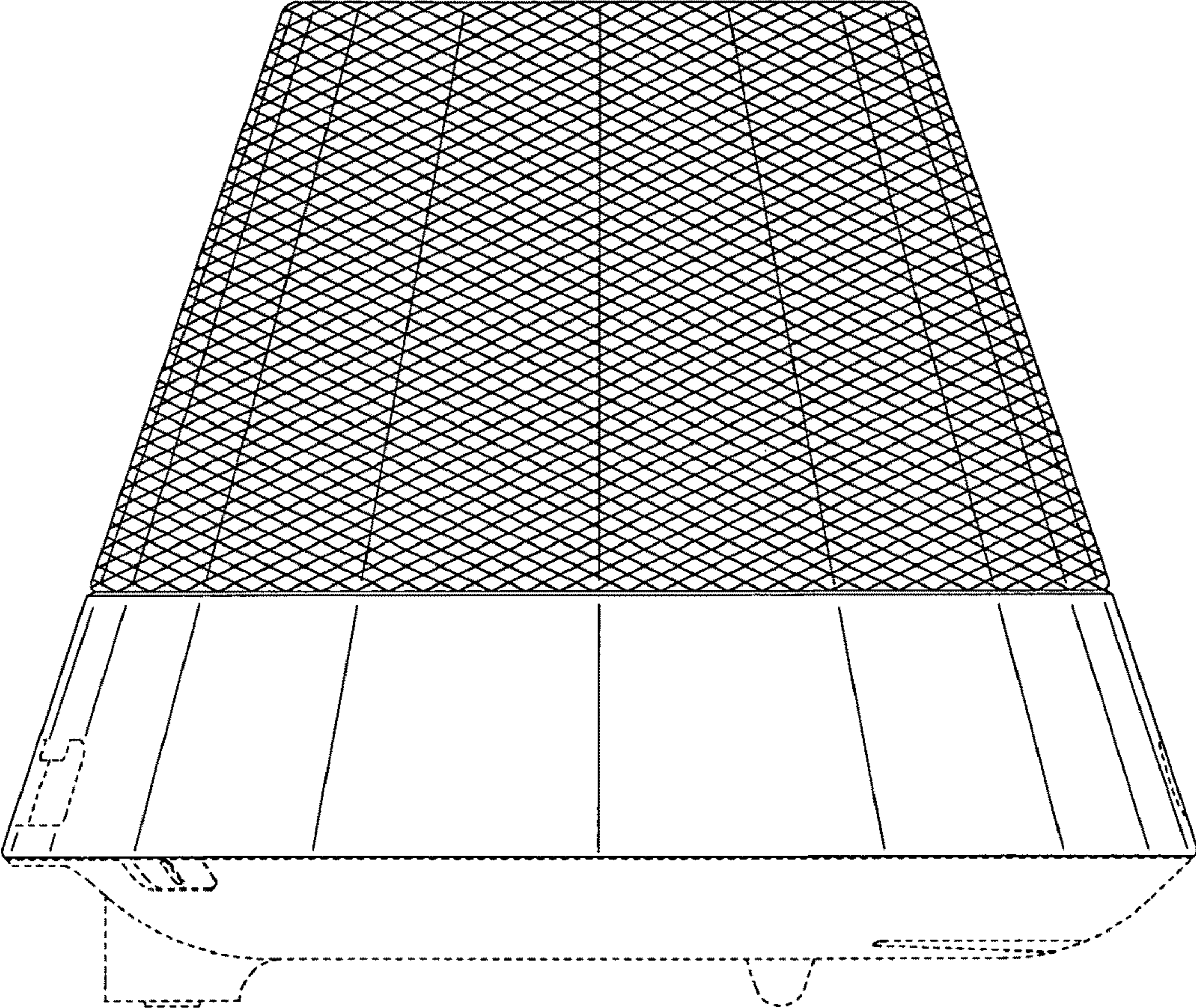


FIG.3

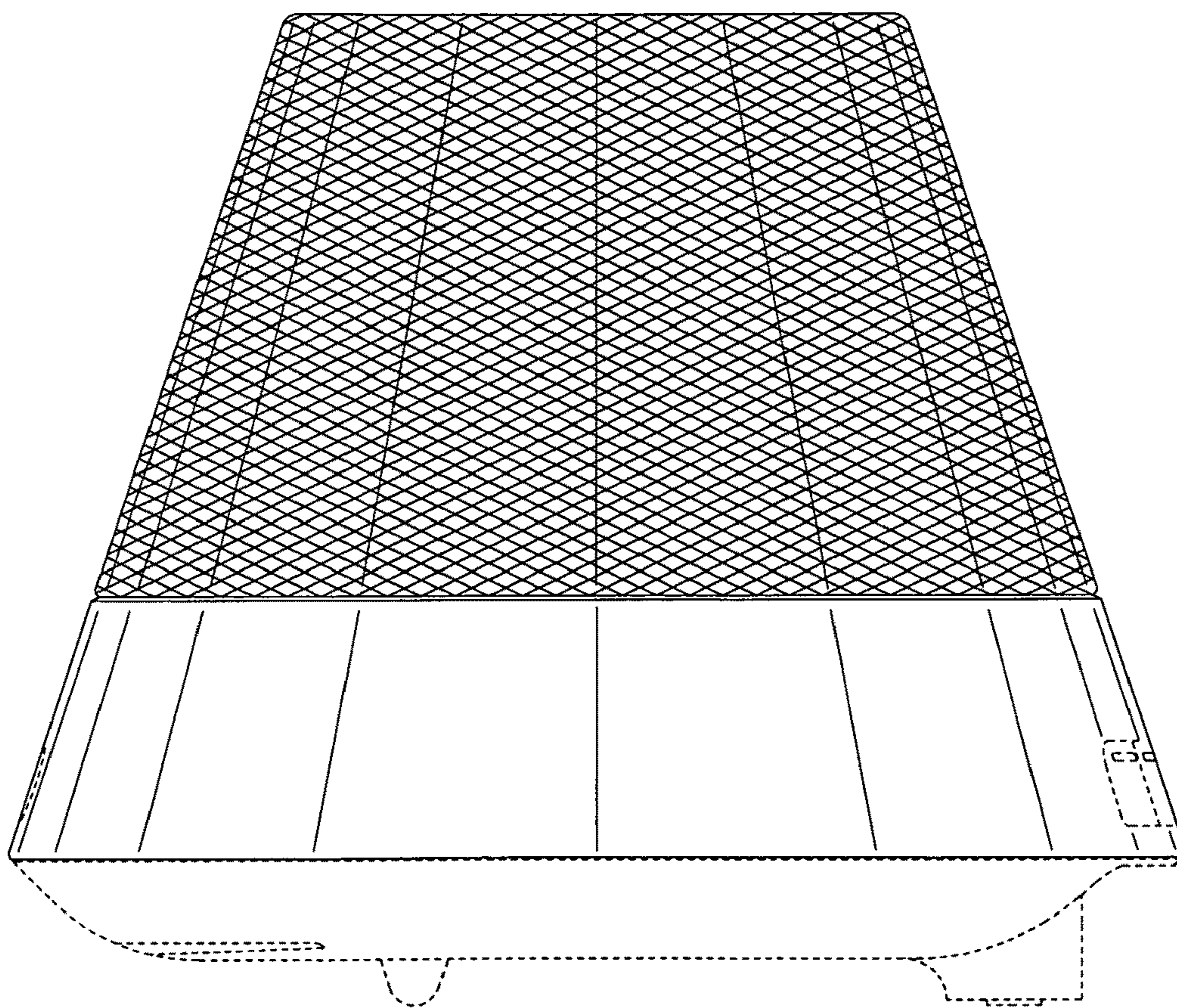


FIG.4

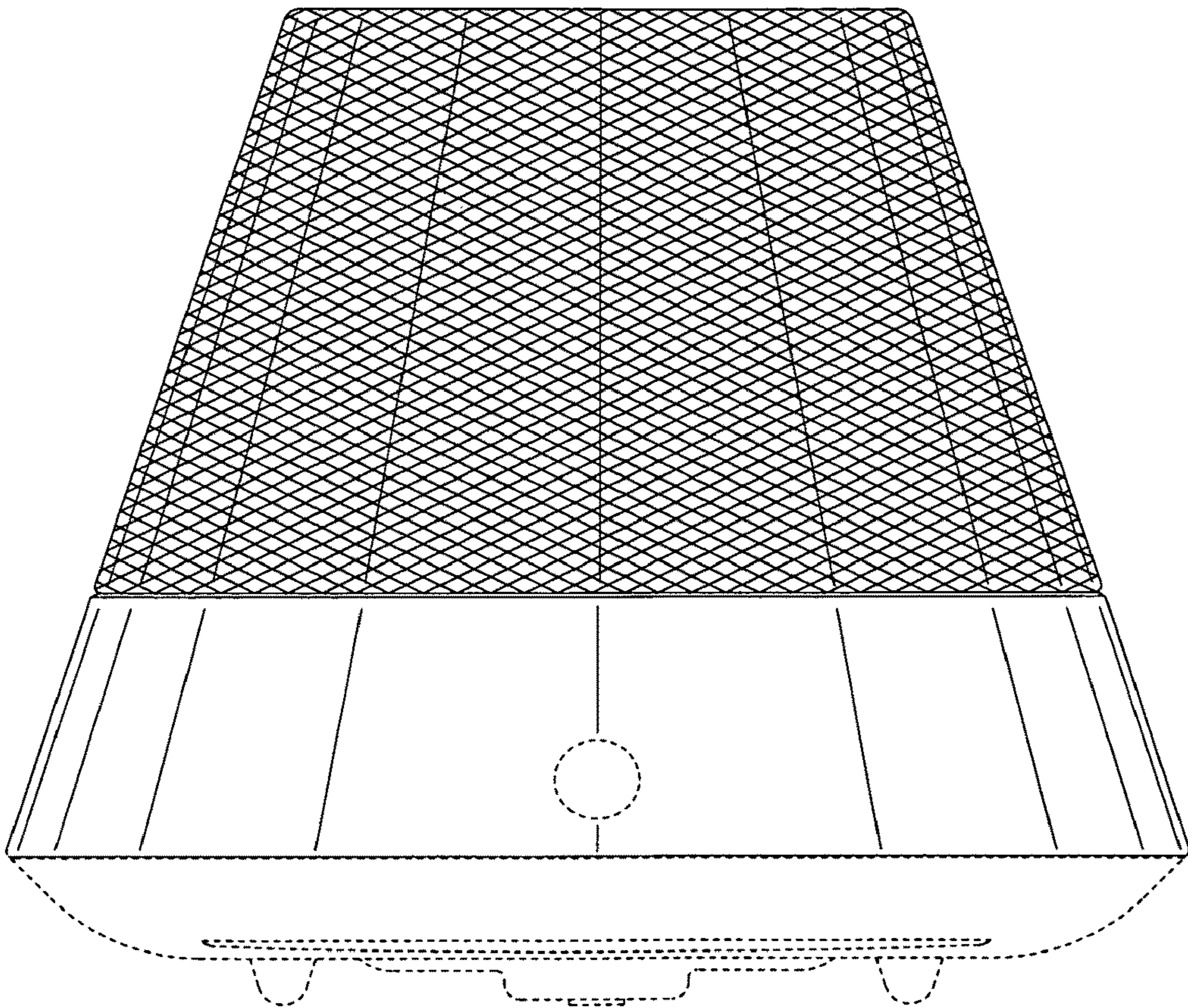


FIG.5

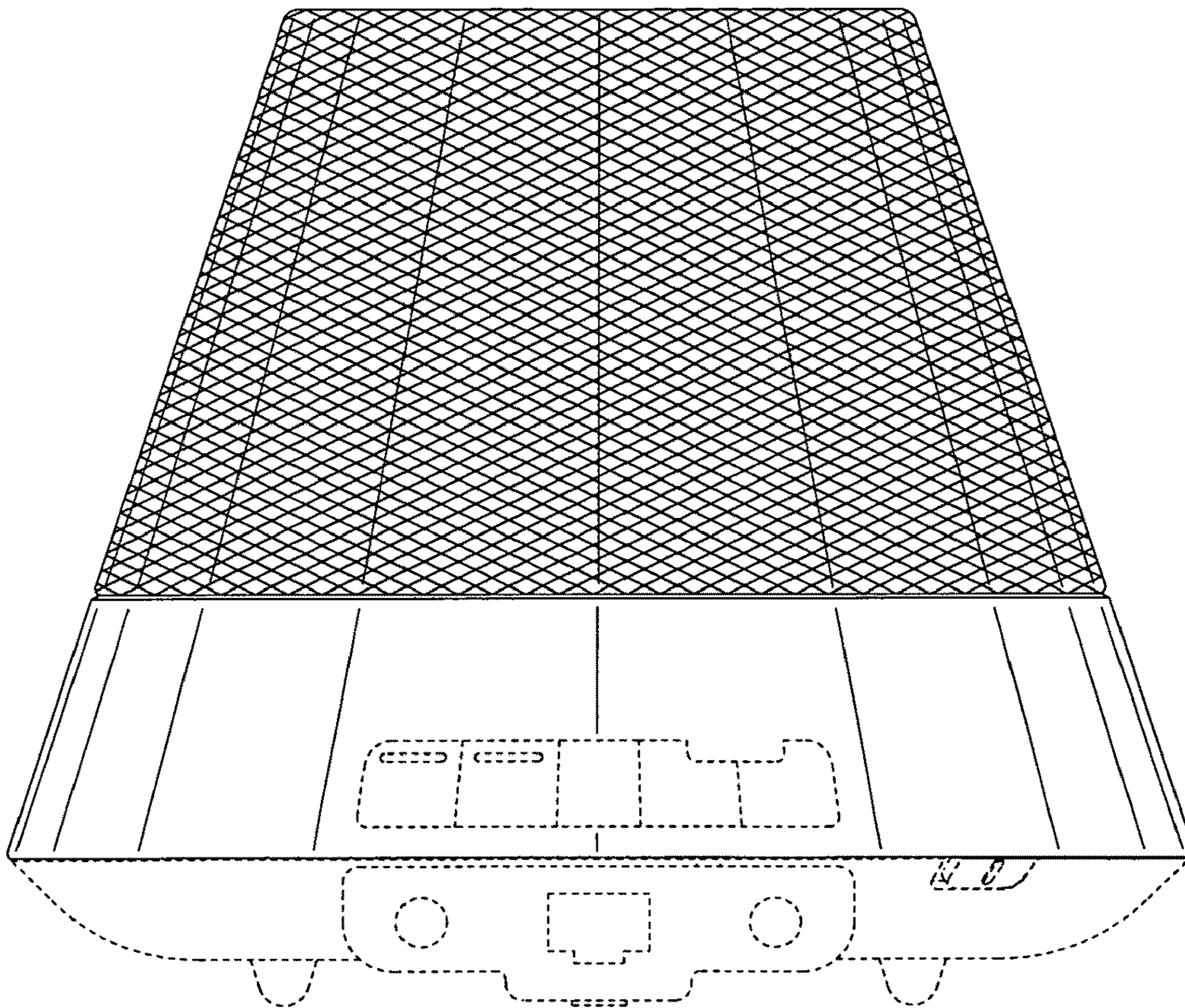


FIG.6

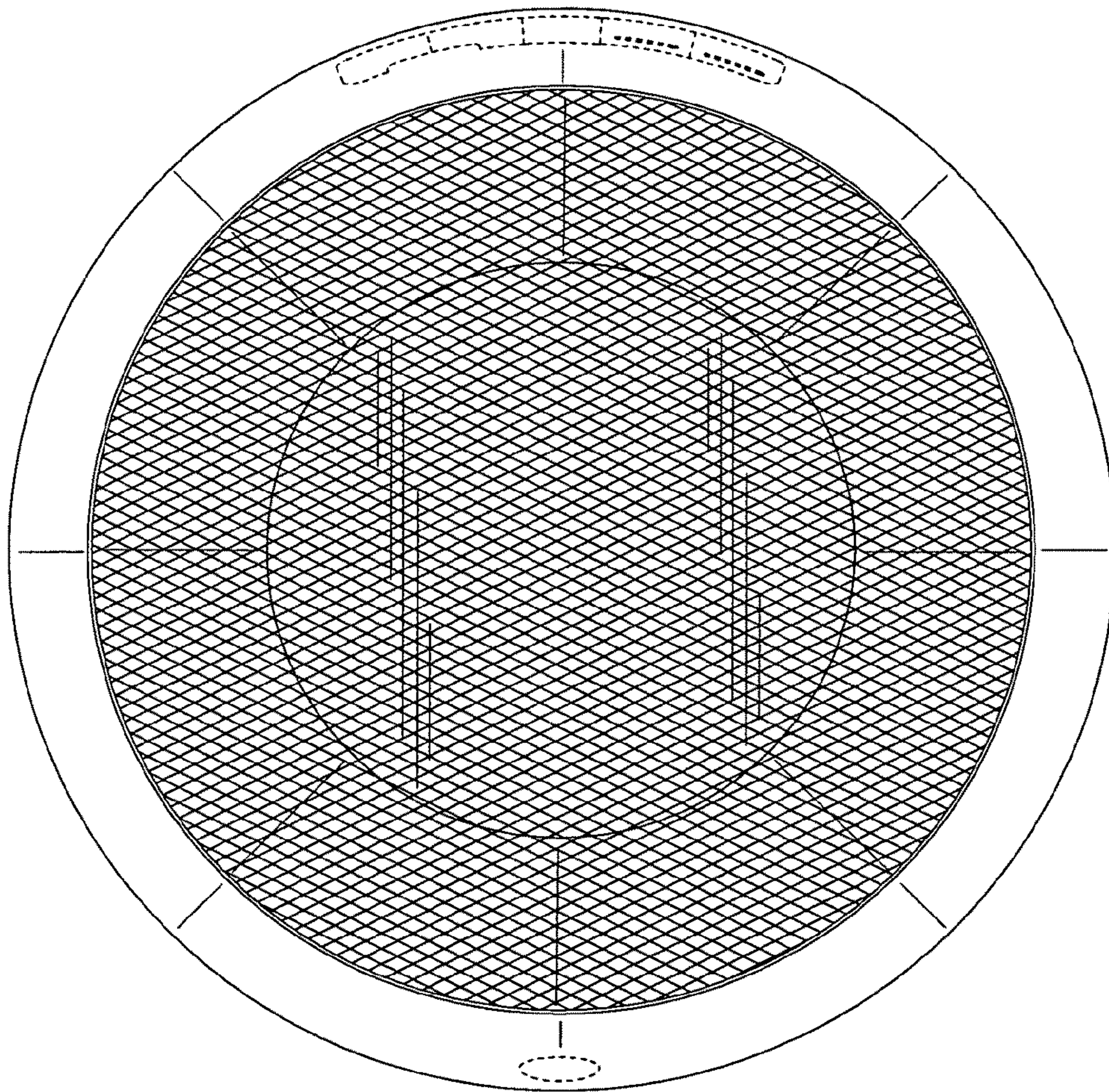


FIG.7

