



US00D641729S

(12) **United States Design Patent**  
**Hao et al.**

(10) **Patent No.:** **US D641,729 S**  
(45) **Date of Patent:** **\*\* Jul. 19, 2011**

(54) **LOUDSPEAKER**

(75) Inventors: **Ju-Lan Hao**, Shenzhen (CN);  
**Man-Zhong Wang**, Shenzhen (CN);  
**Te-Hua Lee**, Taipei Hsien (TW)

(73) Assignee: **Hon Hai Precision Industry Co., Ltd.**,  
Tu-Cheng, New Taipei (TW)

(\*\*) Term: **14 Years**

(21) Appl. No.: **29/361,692**

(22) Filed: **May 13, 2010**

(30) **Foreign Application Priority Data**

Nov. 27, 2009 (CN) ..... 2009 3 0327227

(51) **LOC (9) Cl.** ..... **14-01**

(52) **U.S. Cl.** ..... **D14/215**

(58) **Field of Classification Search** ..... D14/204,  
D14/207, 209.1, 210-216, 172, 168; 181/143-144,  
181/147-148, 150-153, 157, 198-199;  
381/300-303, 306, 332-333, 336, 345, 361-364,  
381/386-388

See application file for complete search history.

(56) **References Cited**

**U.S. PATENT DOCUMENTS**

D475,361 S \* 6/2003 Yoneda et al. .... D14/168  
D483,349 S \* 12/2003 Murakami ..... D14/215  
D491,167 S \* 6/2004 Yokoyama ..... D14/215  
D531,989 S \* 11/2006 Dayan ..... D14/215  
D542,776 S \* 5/2007 Dayan ..... D14/216

D587,245 S \* 2/2009 Morra ..... D14/215  
D590,373 S \* 4/2009 Brickstad ..... D14/215  
D593,541 S \* 6/2009 Muraoka et al. .... D14/215

\* cited by examiner

*Primary Examiner* — Nanda Bondade

(74) *Attorney, Agent, or Firm* — Frank R. Niranjana

(57) **CLAIM**

The ornamental design for a loudspeaker, as shown and described.

**DESCRIPTION**

FIG. 1 is a front perspective view of one embodiment of a loudspeaker showing our new design;

FIG. 2 is a front elevational view thereof;

FIG. 3 is a rear elevational view thereof;

FIG. 4 is a left side, elevational view thereof;

FIG. 5 is a right side, elevational view thereof;

FIG. 6 is a top plan view thereof;

FIG. 7 is a bottom plan view thereof;

FIG. 8 is a front perspective view of another embodiment of a loudspeaker showing our new design;

FIG. 9 is a front elevational view of the other embodiment;

FIG. 10 is a rear elevational view of the other embodiment;

FIG. 11 is a left side, elevational view of the other embodiment;

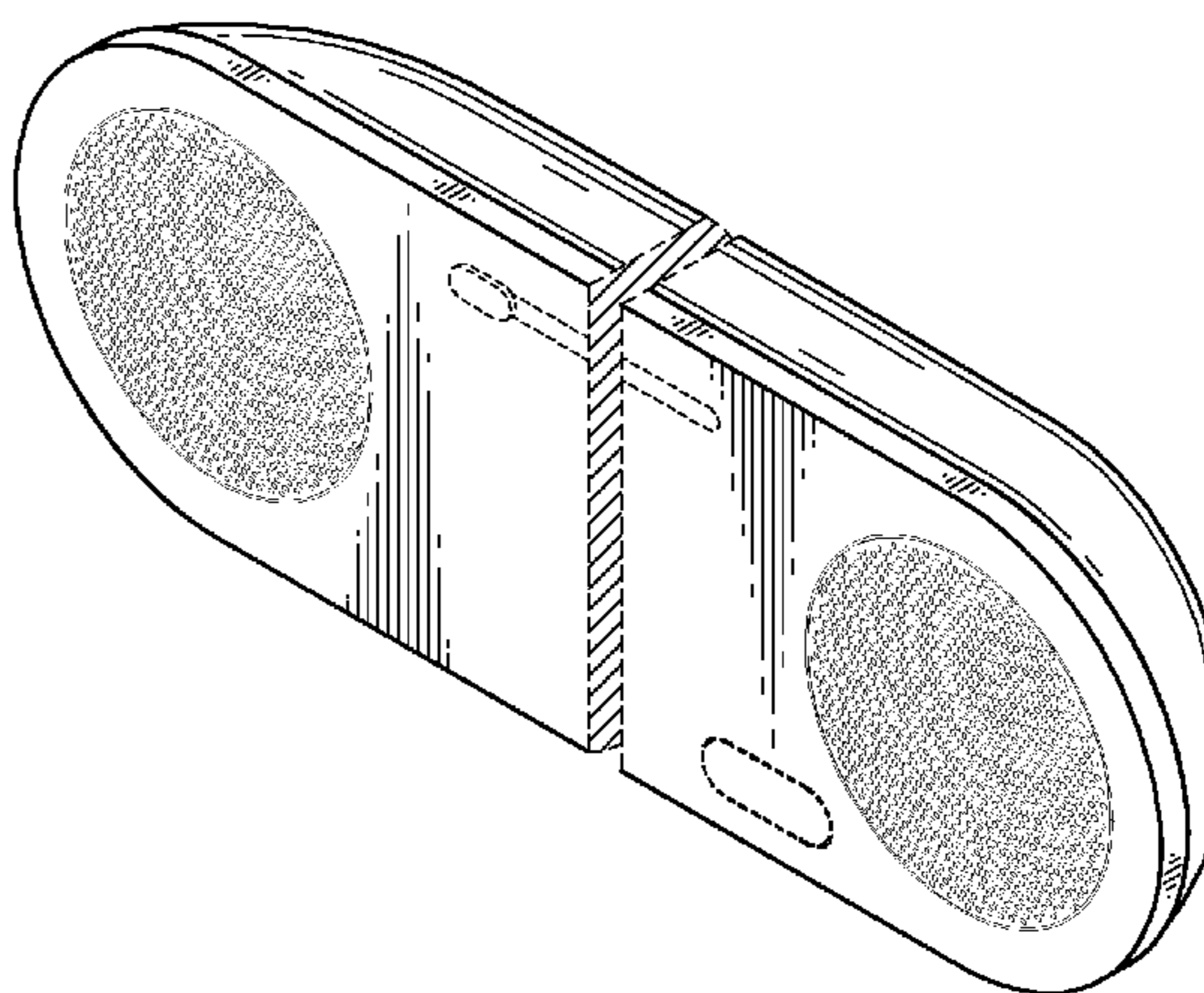
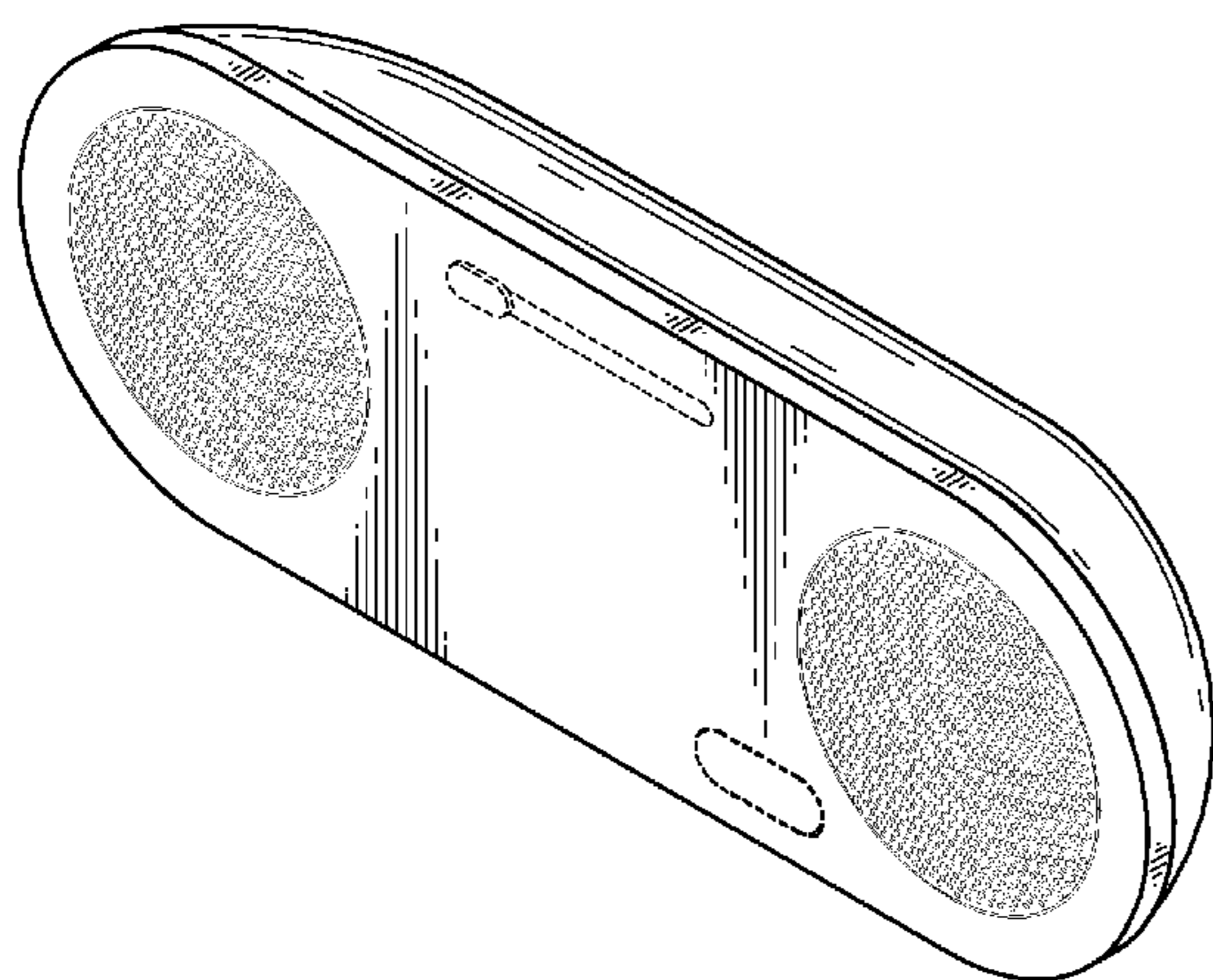
FIG. 12 is a right side, elevational view of the other embodiment;

FIG. 13 is a top plan view of the other embodiment; and,

FIG. 14 is a bottom plan view of the other embodiment.

The broken lines shown in the drawings illustrate portions of the loudspeaker which form no part of the claimed design.

**1 Claim, 14 Drawing Sheets**



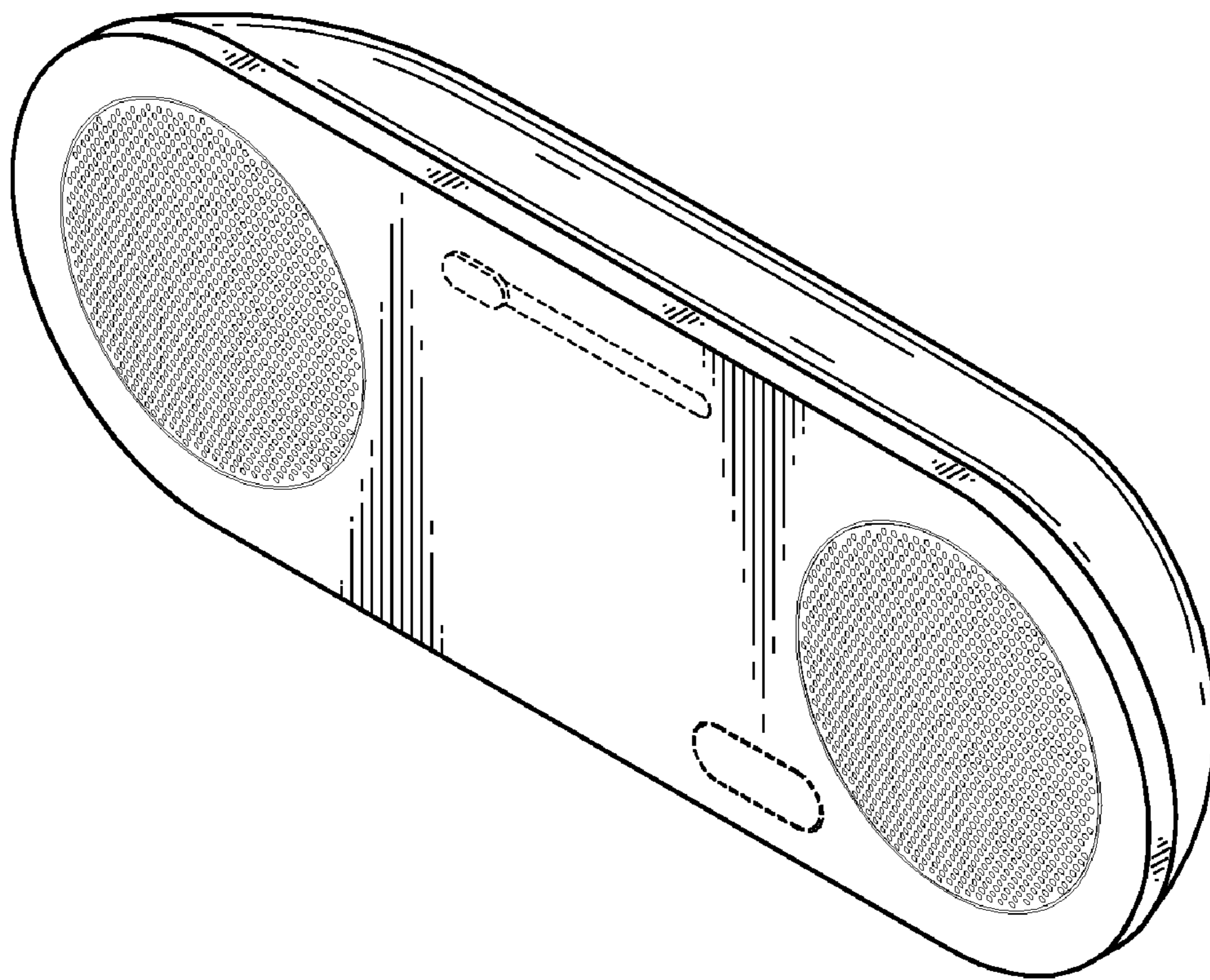


FIG. 1

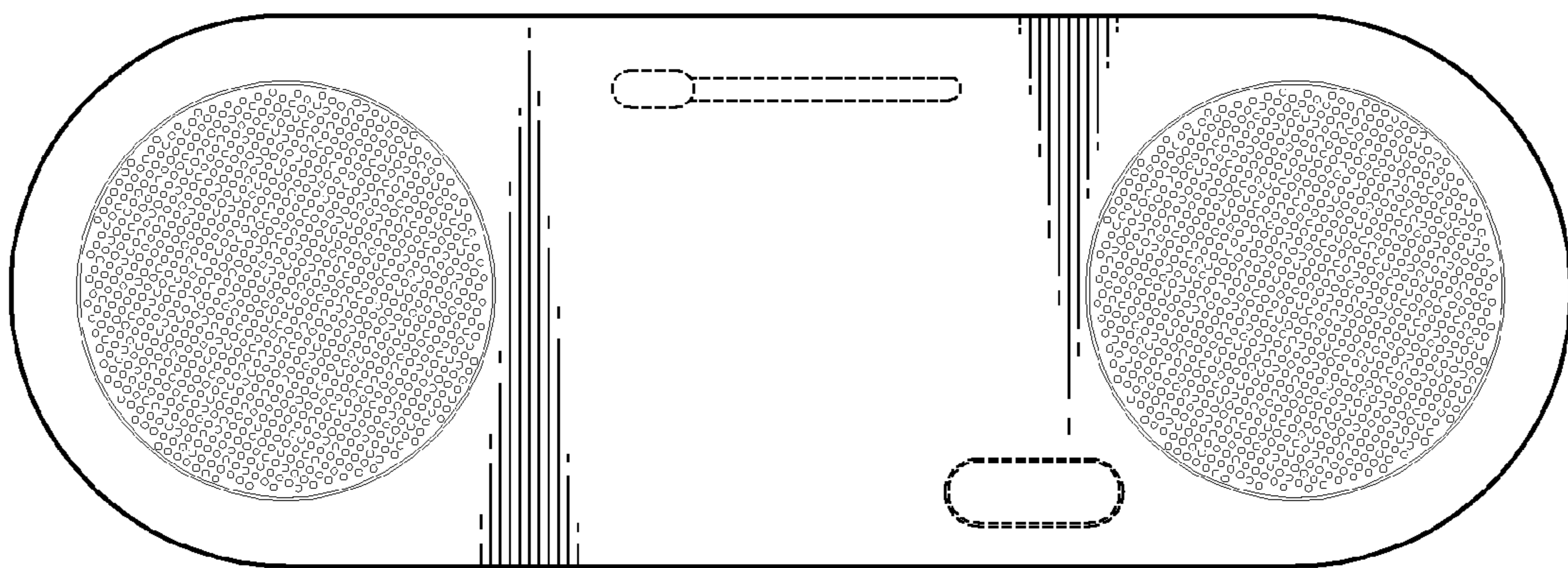


FIG. 2

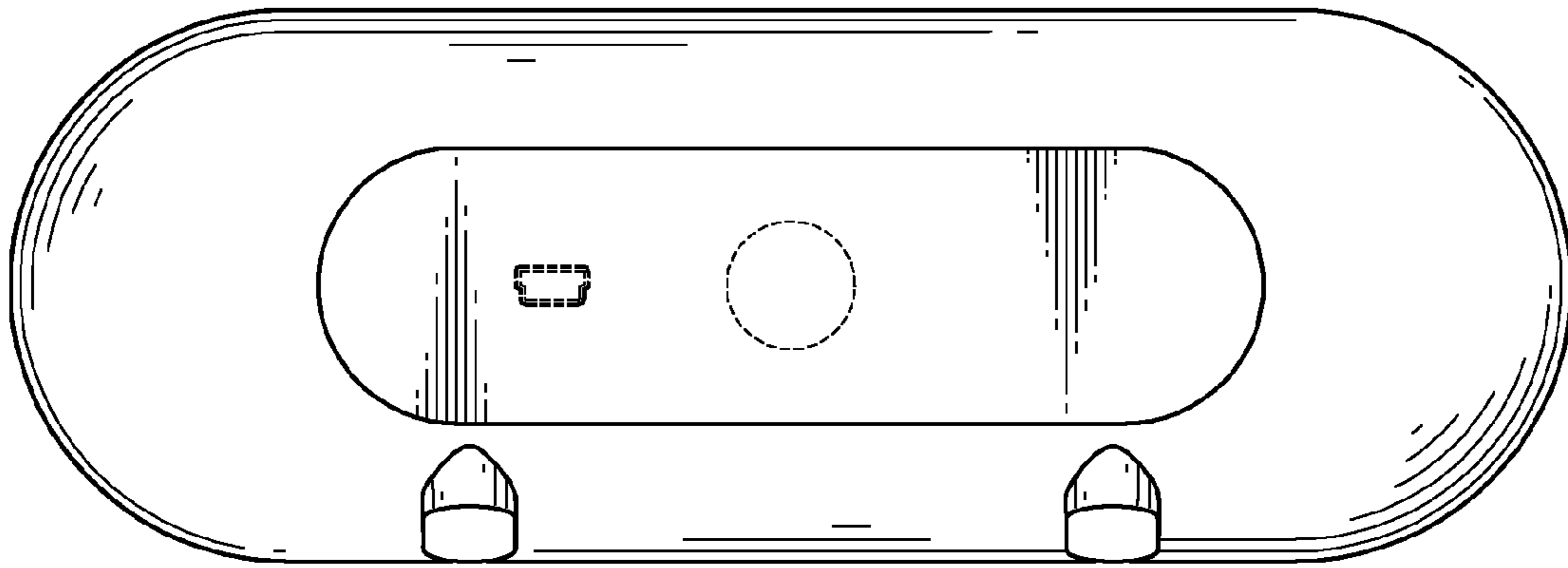


FIG. 3



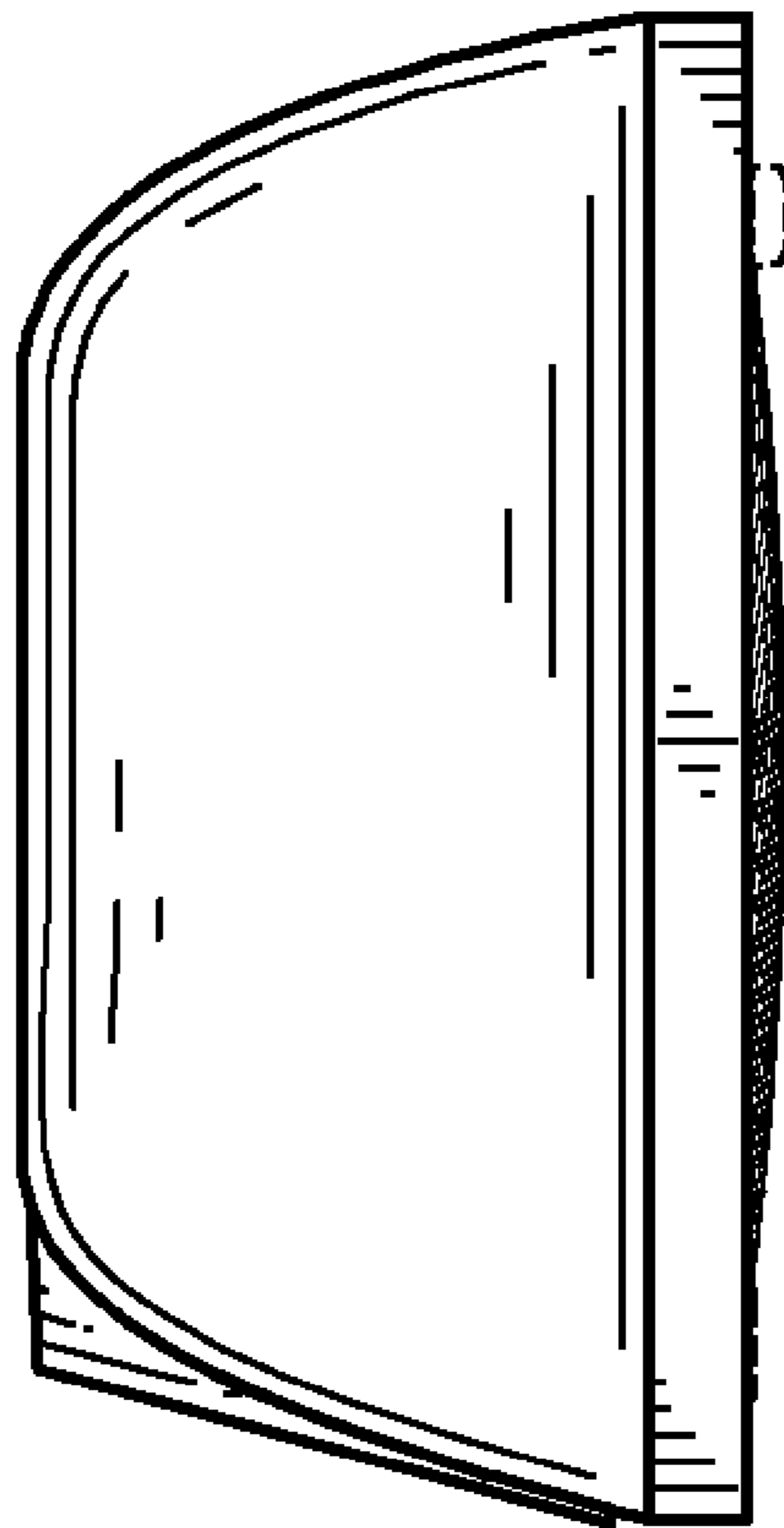


FIG. 4

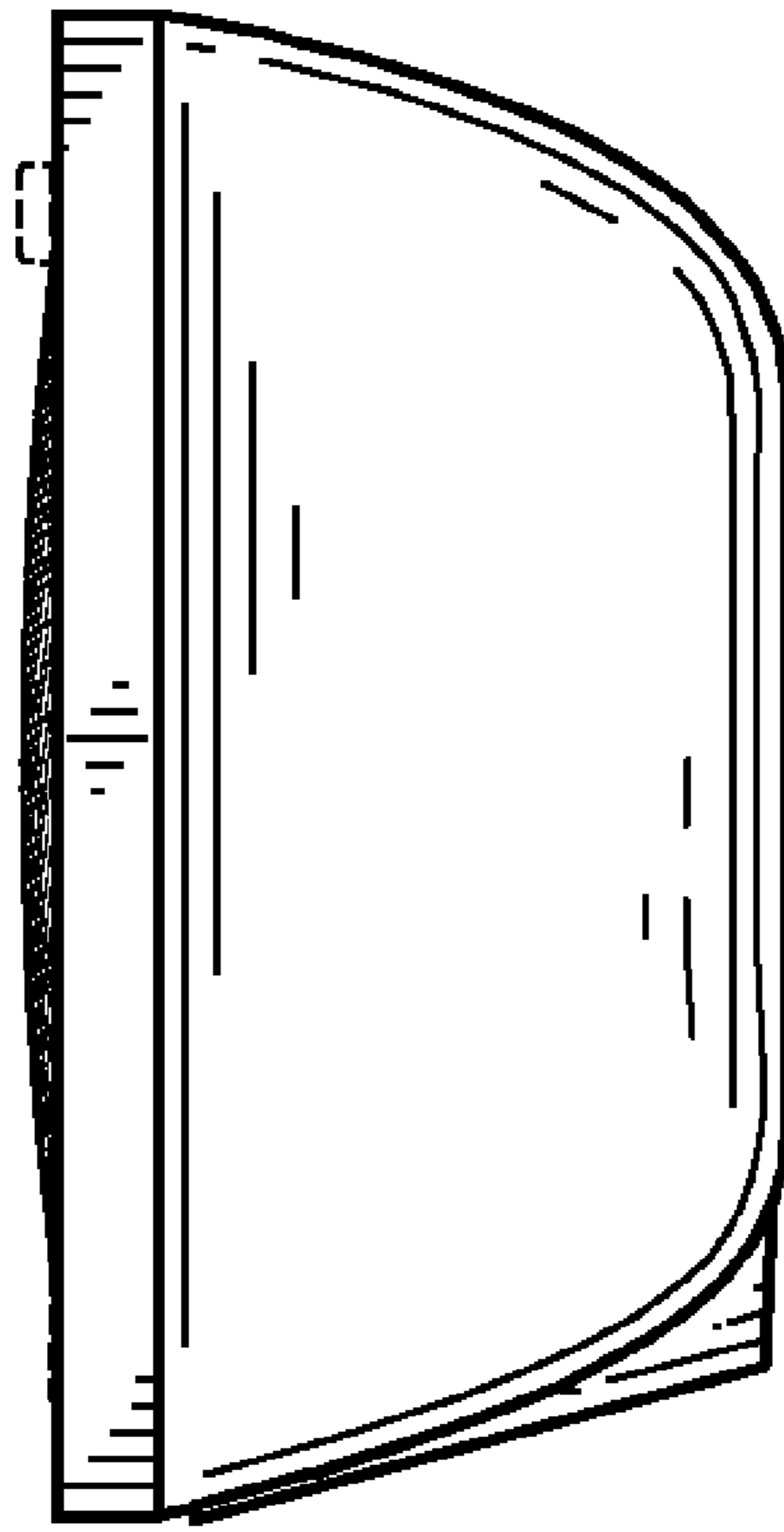


FIG. 5

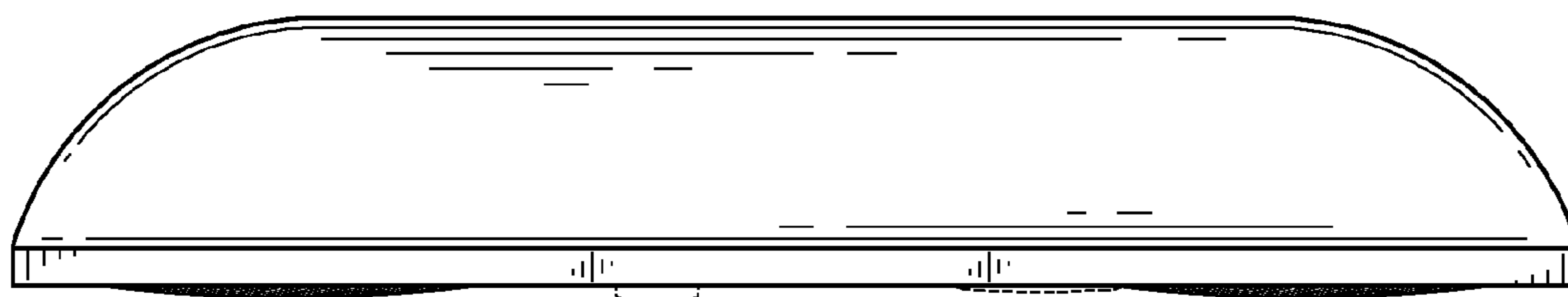


FIG. 6

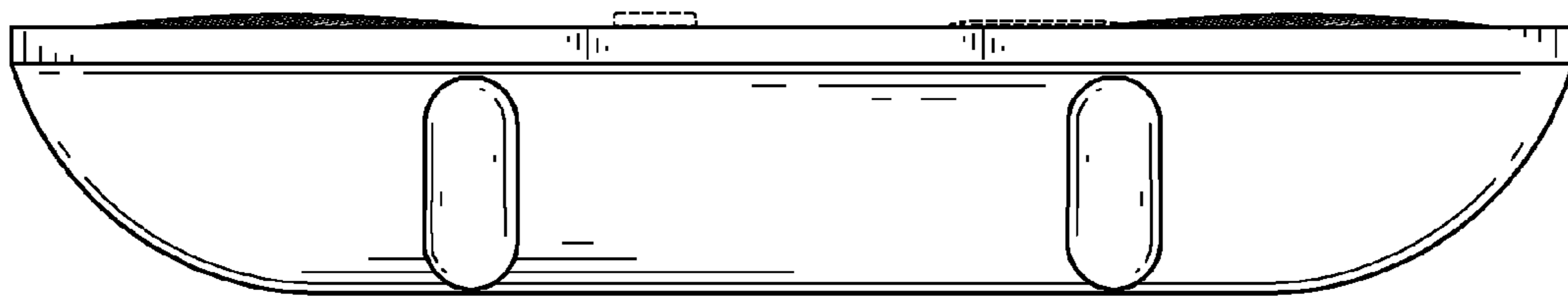


FIG. 7



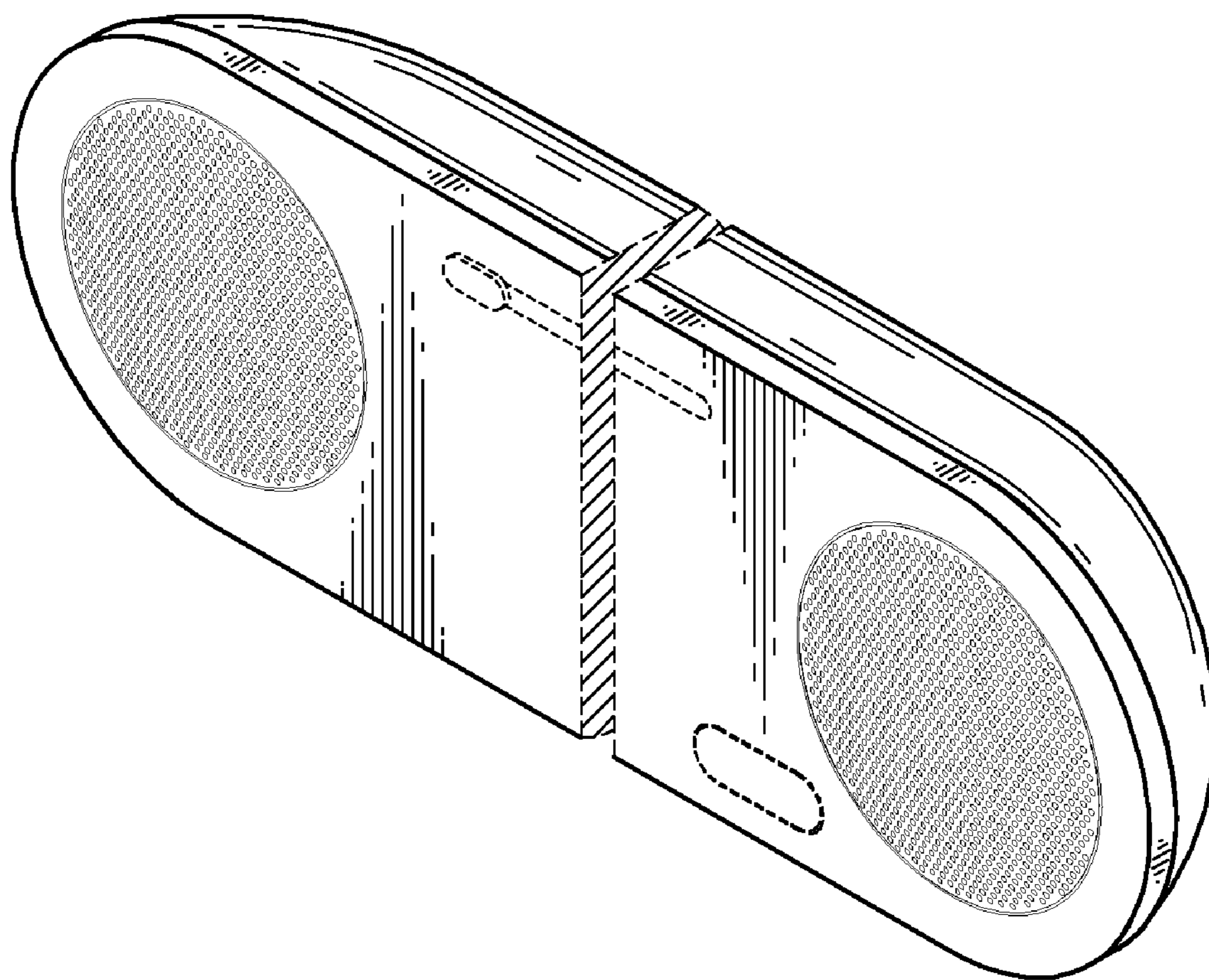


FIG. 8

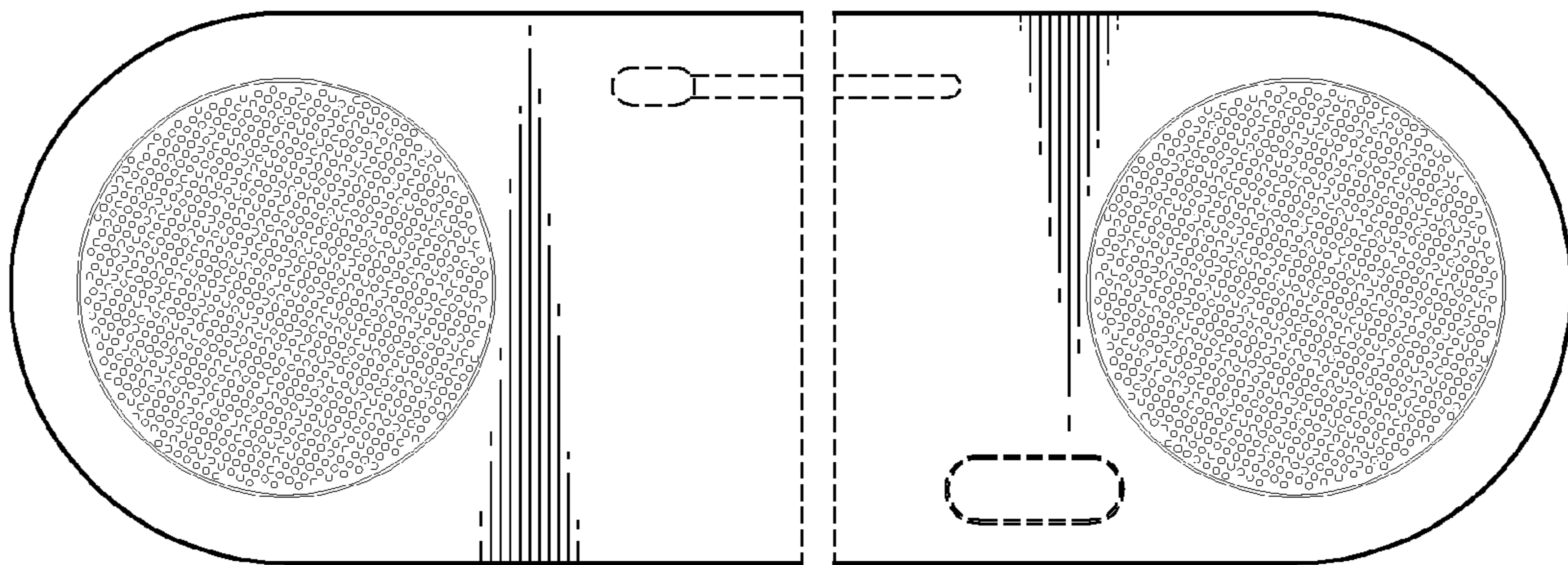


FIG. 9

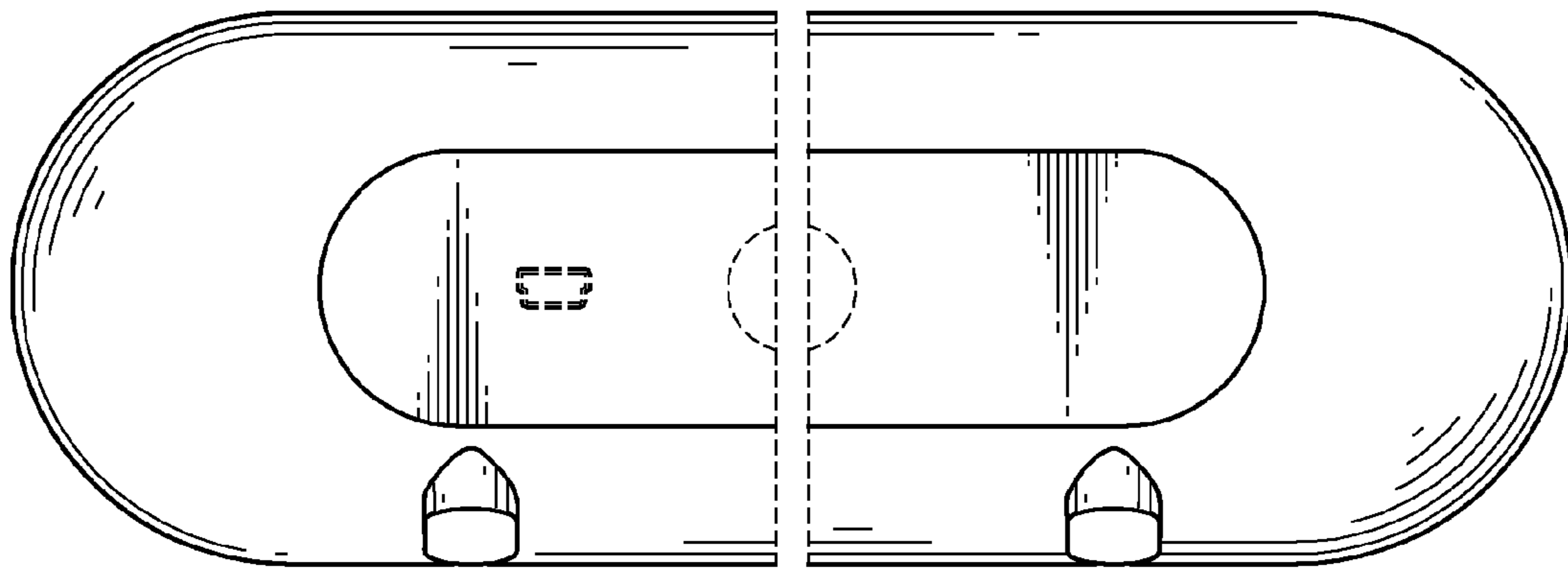


FIG. 10

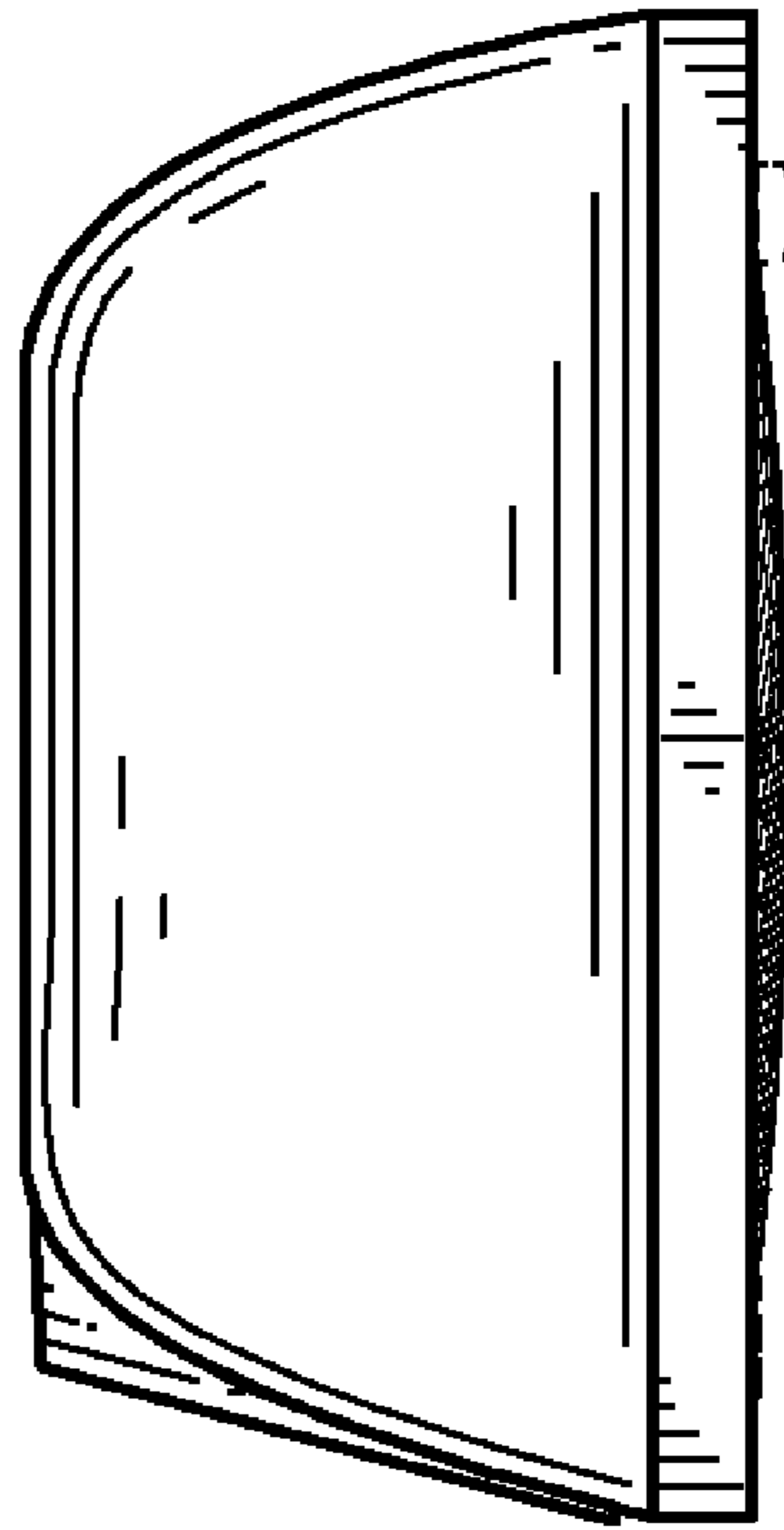


FIG. 11

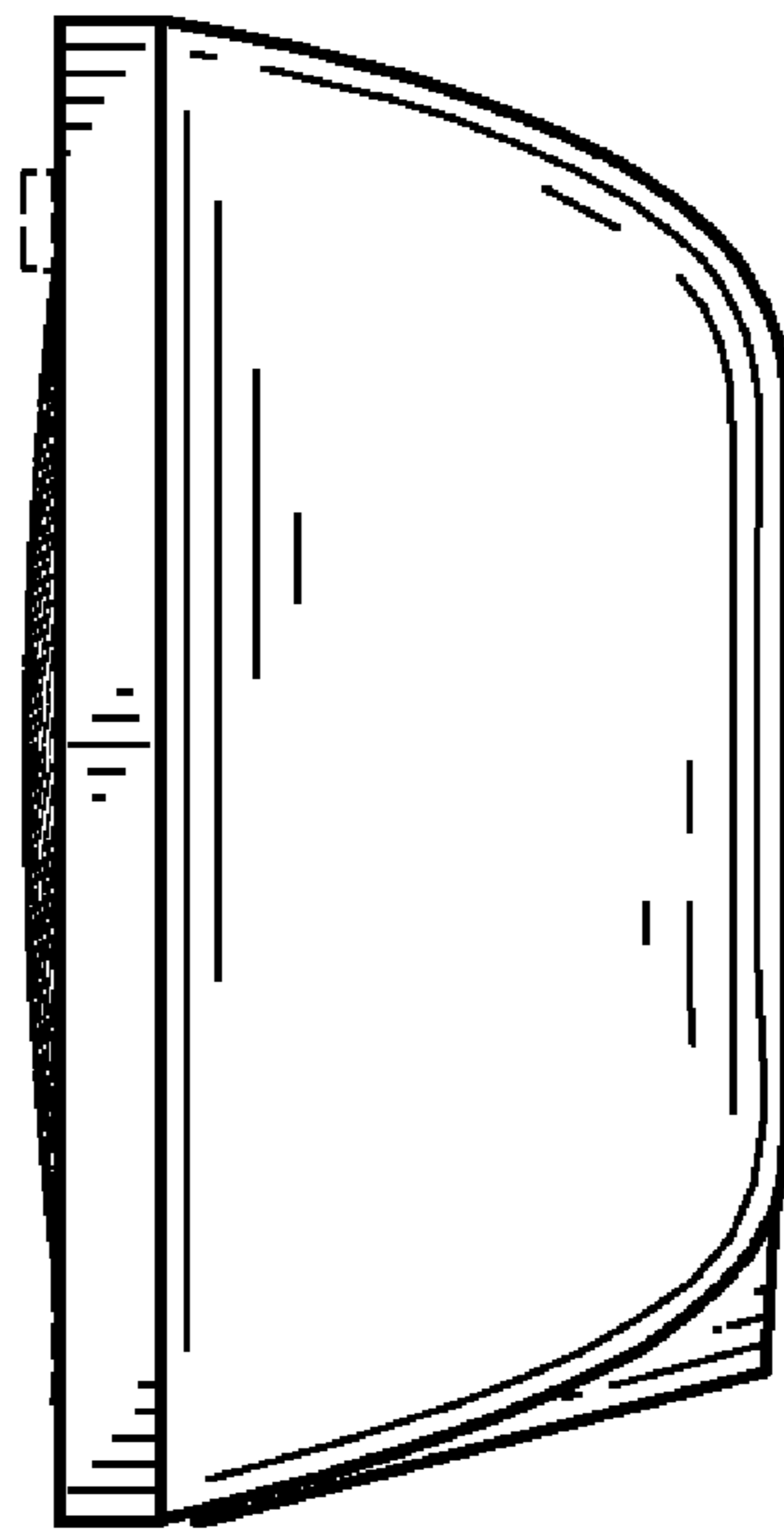


FIG. 12

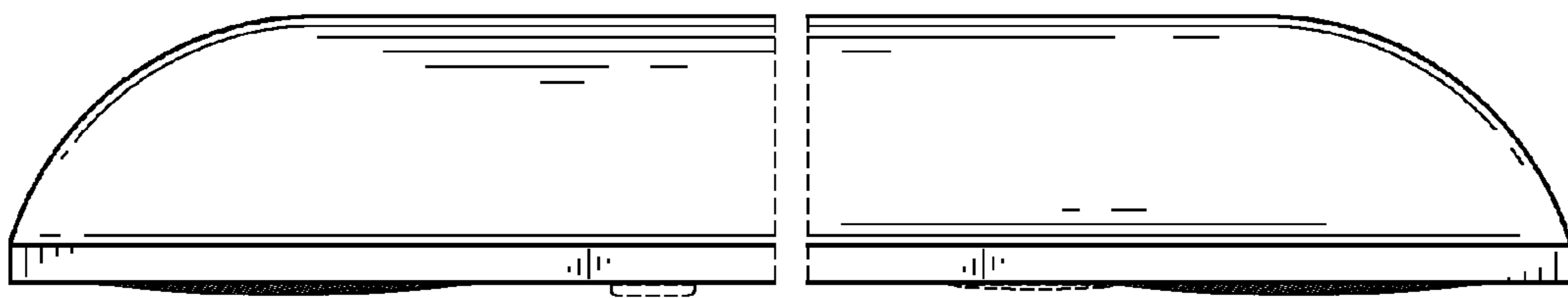


FIG. 13

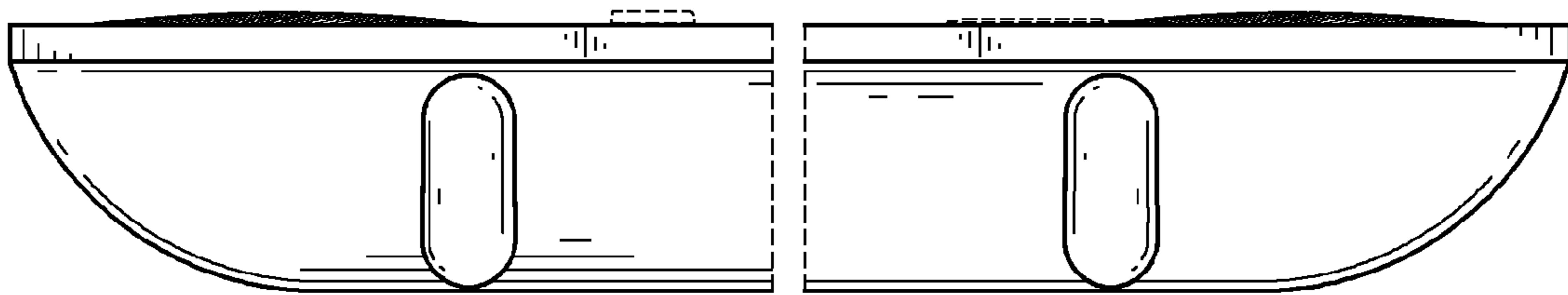


FIG. 14