

US00D641724S

(12) **United States Design Patent**  
**Roka**

(10) **Patent No.:** **US D641,724 S**  
(45) **Date of Patent:** **\*\* Jul. 19, 2011**

(54) **MOBILE COMMUNICATIONS DEVICE WITH HANDLE MEMBERS**

(75) Inventor: **Pujan K. Roka**, Atlanta, GA (US)

(73) Assignee: **Cox Communications, Inc.**, Atlanta, GA (US)

(\*\*) Term: **14 Years**

(21) Appl. No.: **29/368,044**

(22) Filed: **Aug. 17, 2010**

(51) **LOC (9) Cl.** ..... **14-03**

(52) **U.S. Cl.** ..... **D14/138 AD; D14/138 G**

(58) **Field of Classification Search** ..... D14/138 R,  
D14/138 AD, 138 AC, 138 C, 138 G, 191,  
D14/203.1-203.8, 496, 138 AA, 138 AB,  
D14/137, 147, 218, 341-347, 247-248; D10/65,  
D10/78, 104; D13/168; D18/7; 455/566,  
455/575.1, 575.3, 575.4

See application file for complete search history.

(56) **References Cited**

**U.S. PATENT DOCUMENTS**

- 5,841,635 A 11/1998 Sadler et al.
- D443,839 S \* 6/2001 Brandenburg et al. .... D10/65
- 6,983,175 B2 1/2006 Kwon
- 7,016,182 B2 \* 3/2006 Brandenburg et al. ... 361/679.06
- 7,076,058 B2 7/2006 Ikeuchi et al.
- 7,099,708 B2 8/2006 Rönkkö
- 7,187,363 B2 3/2007 Nguyen et al.
- 7,221,560 B2 5/2007 Varela
- 7,269,450 B2 9/2007 Lee et al.
- 7,283,847 B2 10/2007 Kim
- D557,239 S \* 12/2007 Lee ..... D14/138 R
- D557,674 S \* 12/2007 Lee et al. .... D14/138 AB
- D558,724 S \* 1/2008 Hsu et al. .... D14/138 AD
- D560,231 S \* 1/2008 Lee ..... D14/496
- D565,039 S \* 3/2008 Loiske et al. .... D14/247
- D567,819 S \* 4/2008 Devericks et al. .... D14/496
- D569,837 S \* 5/2008 Baik et al. .... D14/138 G
- D577,353 S \* 9/2008 Kim et al. .... D14/138 AD

- D583,342 S \* 12/2008 Kim et al. .... D14/138 G
- D583,345 S \* 12/2008 Kim et al. .... D14/138 AD
- D583,810 S \* 12/2008 Chen ..... D14/345
- 7,489,301 B2 2/2009 Chen et al.
- D589,021 S \* 3/2009 Millora ..... D14/138 AD
- D589,920 S \* 4/2009 Choi et al. .... D14/138 AD
- D592,629 S \* 5/2009 Bai et al. .... D14/138 AD
- D594,840 S \* 6/2009 Kim et al. .... D14/138 G

(Continued)

**FOREIGN PATENT DOCUMENTS**

CN 1327336 12/2001

(Continued)

**OTHER PUBLICATIONS**

Slash Gear. Web. Aug. 17, 2010. <<http://www.slashgear.com/nokia-c2-split-keyboard-phone-leaks-2883418/>>.

(Continued)

*Primary Examiner* — Bridget L Eland

(74) *Attorney, Agent, or Firm* — Sutherland Asbill & Brennan LLP

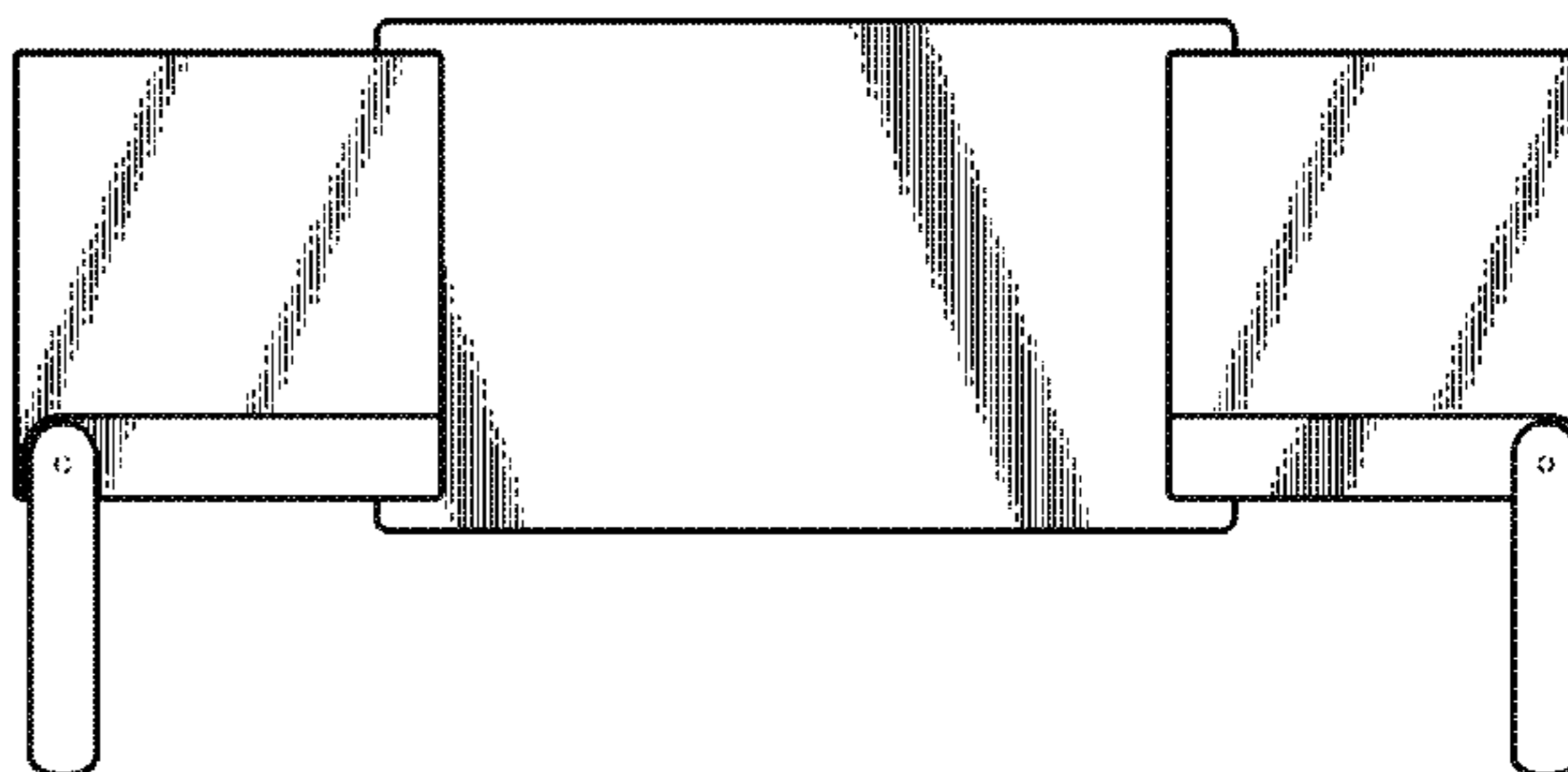
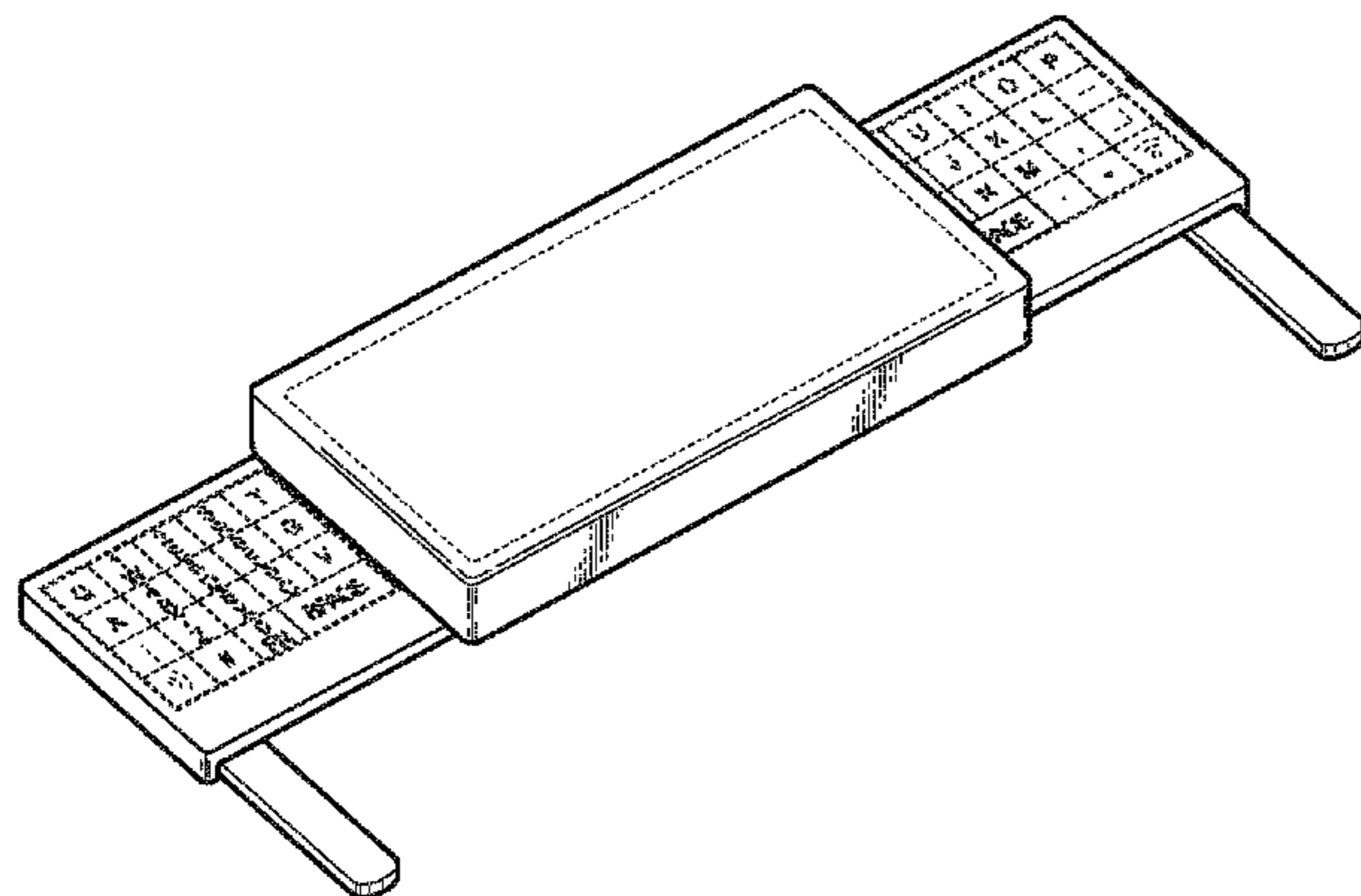
(57) **CLAIM**

The ornamental design for a mobile communications device with handle members, as shown and described.

**DESCRIPTION**

FIG. 1 is a perspective view of a mobile communications device with handle members showing my new design; FIG. 2 is a bottom view thereof; FIG. 3 is a top view thereof; FIG. 4 is right side view thereof, the left side being a mirror image thereof; and, FIG. 5 is back surface view thereof. The broken lines are directed to environment and are for illustrative purposes only; the broken lines form no part of the claimed design.

**1 Claim, 3 Drawing Sheets**



# US D641,724 S

Page 2

## U.S. PATENT DOCUMENTS

D597,092 S \* 7/2009 Wang et al. .... D14/346  
D598,914 S \* 8/2009 Song et al. .... D14/345  
7,636,592 B2 12/2009 Kim et al.  
D607,858 S \* 1/2010 Millora ..... D14/138 AD  
2002/0006815 A1 1/2002 Finke-Anlauff  
2005/0054393 A1 3/2005 Fagerstrom et al.  
2005/0153728 A1 7/2005 Rönkkö  
2006/0056141 A1 3/2006 Pihlaja et al.  
2006/0270445 A1 11/2006 Miramontes  
2007/0037618 A1 2/2007 Lee  
2007/0123322 A1\* 5/2007 Mizushina ..... 455/575.1  
2007/0287512 A1\* 12/2007 Kilpi et al. .... 455/575.1  
2008/0051161 A1\* 2/2008 Tashiro ..... 455/575.1  
2009/0128368 A1 5/2009 Chen et al.  
2009/0170566 A1 7/2009 Kwon et al.  
2010/0079938 A1 4/2010 Paschke et al.

## FOREIGN PATENT DOCUMENTS

JP D1242439 \* 11/2004  
KR 20040018169 3/2004  
WO 2004019596 3/2004

## OTHER PUBLICATIONS

Slash Gear. Web. Aug. 17, 2010. <<http://www.slashgear.com/unboxing-the-nokia-e70-smartphone-08842/>>.  
Electronista. Web. Aug. 17, 2010. <<http://www.electronista.com/articles/10/01/25/motosplit.would.have.new.kb.1ghz.chip/>>.

\* cited by examiner

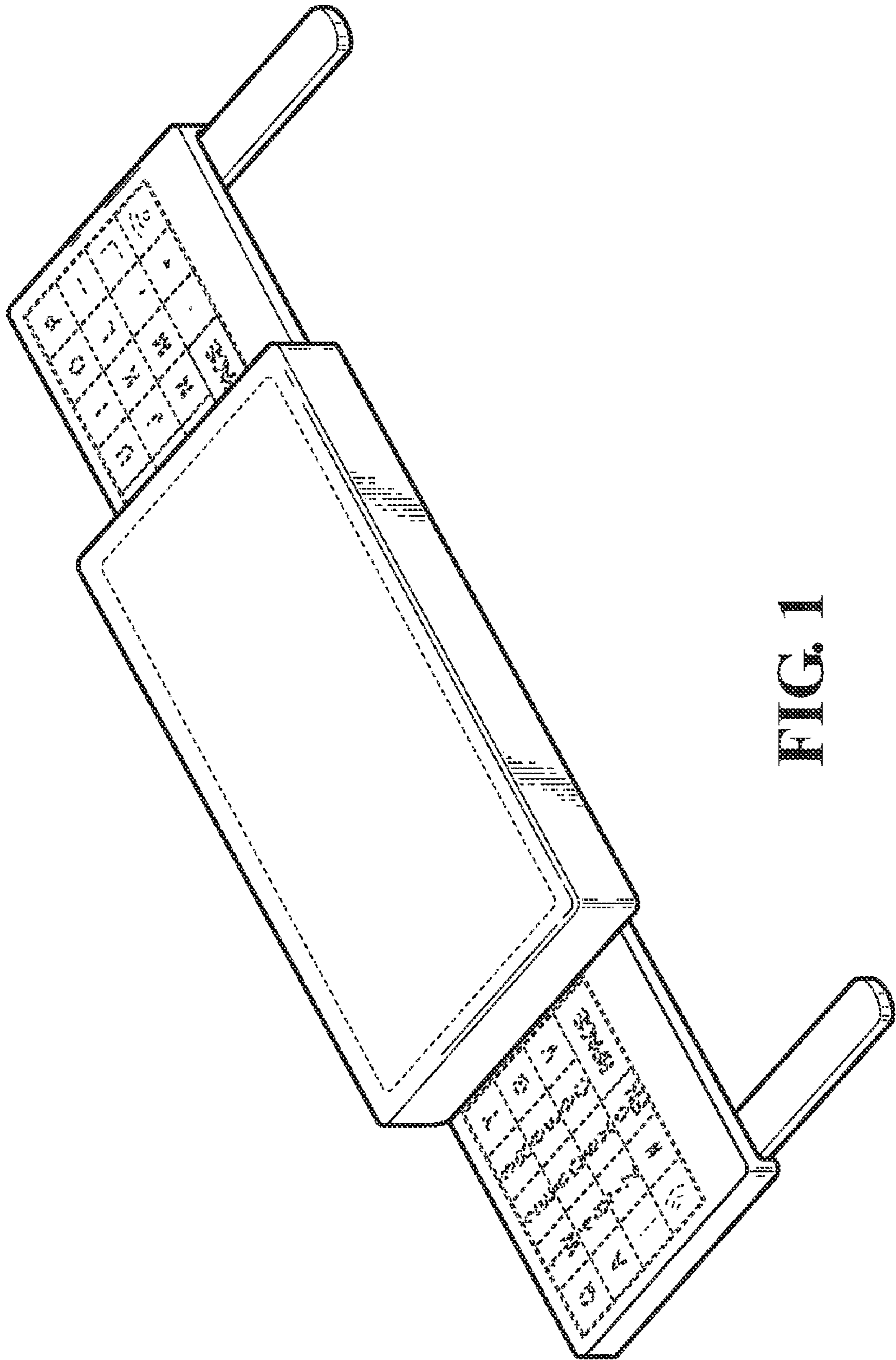


FIG. 1



FIG. 2

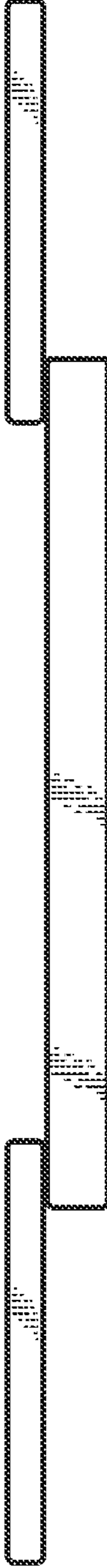


FIG. 3

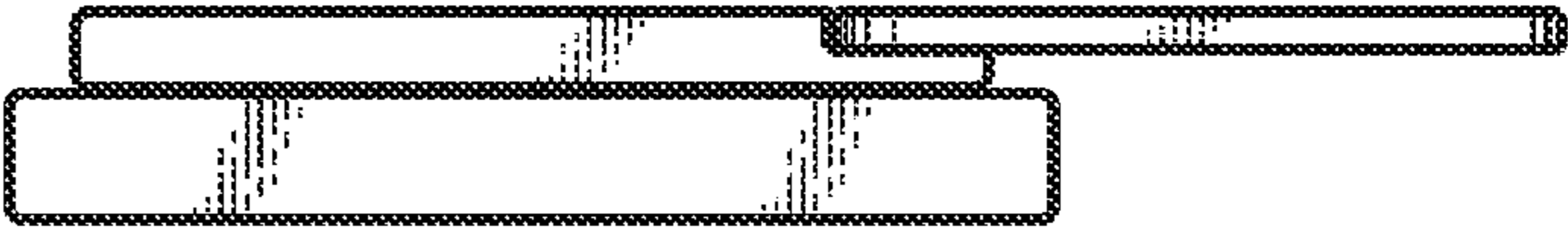


FIG. 4

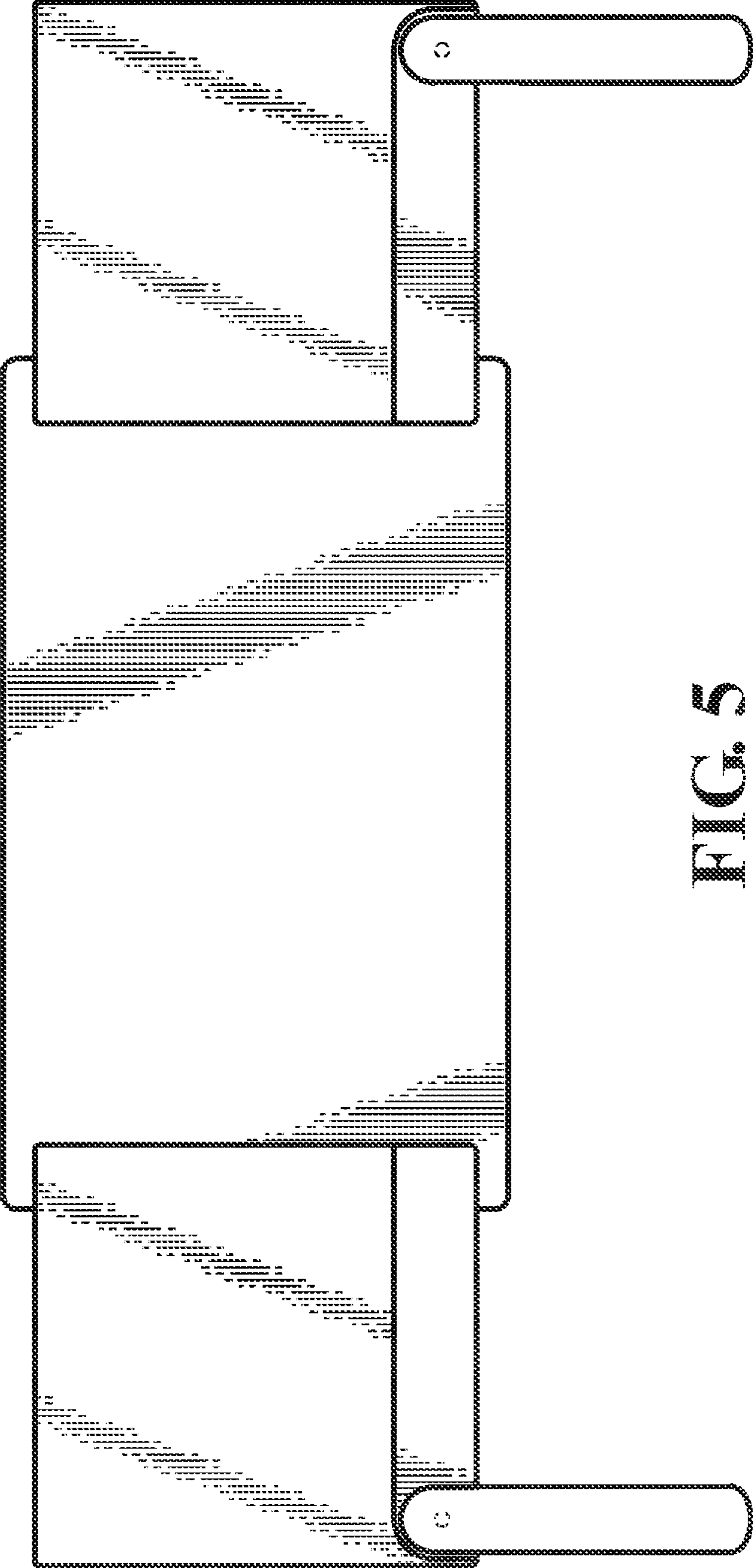


FIG. 5