



US00D641721S

(12) **United States Design Patent**
Moscovitch et al.

(10) **Patent No.:** **US D641,721 S**
(45) **Date of Patent:** **** Jul. 19, 2011**

(54) **ENCLOSURE FOR AUDIO/VISUAL DEVICES OR THE LIKE**

(75) Inventors: **Jerry Moscovitch**, Toronto (CA);
Luther V. Diaz Yap, Toronto (CA)

(73) Assignee: **Peerless Industries, Inc.**, Aurora, IL (US)

(**) Term: **14 Years**

(21) Appl. No.: **29/362,147**

(22) Filed: **May 20, 2010**

Related U.S. Application Data

(63) Continuation of application No. 12/719,185, filed on Mar. 8, 2010.

(51) **LOC (9) Cl.** **14-03**

(52) **U.S. Cl.** **D14/125**

(58) **Field of Classification Search** D14/125-134, D14/168, 188, 197, 198, 371, 374-377, 496; 312/7.1, 7.2; 348/836, 838, 180, 184, 325, 348/739; 341/12; 349/58; 720/600, 619, 720/646, 647, 655; 455/347-351; 369/75.11, 369/75.21

See application file for complete search history.

(56) **References Cited**

U.S. PATENT DOCUMENTS

- 3,004,815 A * 10/1961 O’Kain et al. 312/242
- 5,071,203 A 12/1991 Boyd
- 5,335,076 A 8/1994 Reh et al.
- D356,548 S * 3/1995 Bottcher et al. D14/341
- 5,410,373 A 4/1995 Sagues et al.
- 5,420,828 A 5/1995 Geiger
- 5,748,269 A 5/1998 Harris et al.
- 5,850,333 A 12/1998 Owanesian et al.
- 5,869,919 A 2/1999 Sato et al.
- 6,068,119 A 5/2000 Derr et al.
- 6,104,451 A 8/2000 Matsuoka et al.
- 6,119,768 A 9/2000 Dreier et al.

- 6,424,391 B1 7/2002 Tsukamoto et al.
- 6,476,883 B1 11/2002 Salimes et al.
- 6,479,142 B1 11/2002 Condon et al.
- 6,480,243 B2 11/2002 Yamamoto
- 6,575,541 B1 6/2003 Hedrick et al.
- 6,646,864 B2 11/2003 Richardson
- 6,783,198 B2 8/2004 Rudd et al.
- 6,802,575 B1 * 10/2004 Lee 312/7.2

(Continued)

FOREIGN PATENT DOCUMENTS

KR 2001 048363 A 6/2001

(Continued)

OTHER PUBLICATIONS

U.S. Appl. No. 12/719,185, filed Mar. 8, 2010, Moscovitch et al.

(Continued)

Primary Examiner — Raphael Barkai

Assistant Examiner — Randall Gholson

(74) *Attorney, Agent, or Firm* — Foley & Lardner LLP

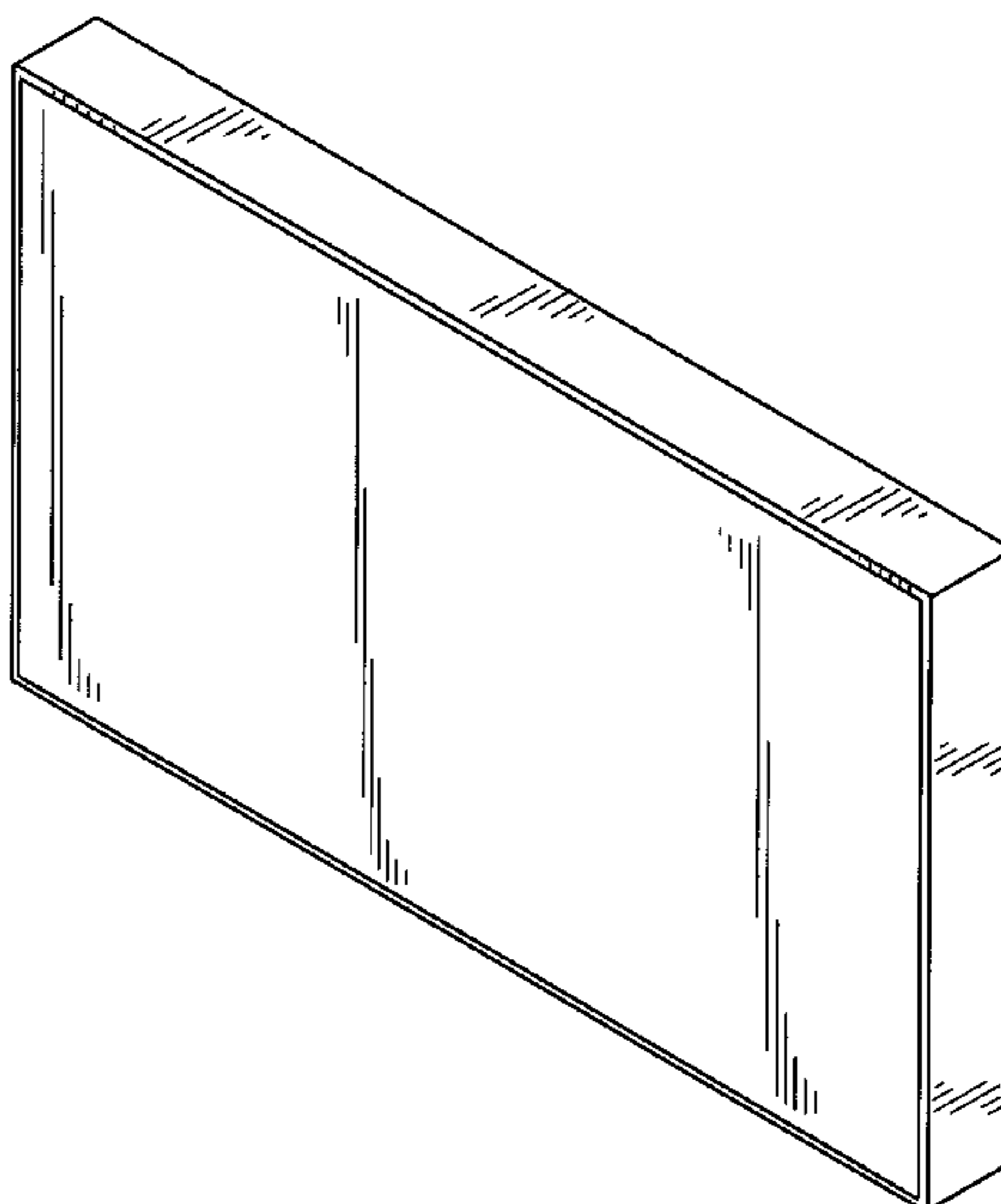
(57) **CLAIM**

We claim the ornamental design for an enclosure for audio/visual devices or the like, as shown and described.

DESCRIPTION

FIG. 1 is a top front perspective view of an enclosure for audio/visual devices or the like showing our new design; FIG. 2 is a bottom rear perspective view thereof; FIG. 3 is a front elevational view thereof; FIG. 4 is a rear elevational view thereof; FIG. 5 is a right side elevational view thereof; FIG. 6 is a left side elevational view thereof; FIG. 7 is top plan view thereof; and, FIG. 8 is a bottom plan view thereof. The broken lines shown are for illustrative purposes only and form no part of the claimed design.

1 Claim, 6 Drawing Sheets



US D641,721 S

Page 2

U.S. PATENT DOCUMENTS

6,871,138 B1 3/2005 Minelli
6,966,617 B2 11/2005 Chen et al.
6,977,808 B2 12/2005 Lam et al.
7,089,495 B2 8/2006 Barrows
7,110,247 B2 * 9/2006 Kim et al. 361/679.26
D529,490 S * 10/2006 Jackson, Jr. D14/341
7,158,376 B2 1/2007 Richardson et al.
7,180,735 B2 2/2007 Thomas et al.
7,206,037 B2 4/2007 Nishio et al.
7,212,403 B2 5/2007 Rockenfeller
D546,824 S * 7/2007 Jackson, Jr. D14/341
7,257,003 B2 8/2007 Ono
7,337,024 B1 2/2008 Graham
D566,661 S * 4/2008 Ludwig et al. D13/162
7,463,487 B2 12/2008 Kim
7,464,512 B1 * 12/2008 Perina 52/651.01
7,529,082 B2 5/2009 Maruta
7,535,799 B2 * 5/2009 Polany et al. 367/131
7,679,888 B2 3/2010 Kirschner et al.
7,812,891 B2 * 10/2010 Maruta 348/794
2003/0205951 A1 11/2003 Lambert
2006/0274493 A1 12/2006 Richardson et al.
2007/0139873 A1 6/2007 Thomas et al.
2008/0093956 A1 4/2008 Maxson
2008/0143918 A1 6/2008 Kim
2008/0218952 A1 9/2008 Benn

2008/0309843 A1 12/2008 Matsutani et al.
2009/0009945 A1 1/2009 Johnson et al.
2009/0184893 A1 7/2009 Yang
2009/0225240 A1 9/2009 Suzuki et al.

FOREIGN PATENT DOCUMENTS

KR 1020080042287 A 5/2008
KR 1020080054761 A 6/2008
KR 100922106 B1 9/2009

OTHER PUBLICATIONS

Alibaba.com products, http://alibaba.com/showroom/led_display_led_screen_stadium_led_display.html, May 17, 2010, 9 pages.
“LCD Enclosures™, Protect and Showcase Your Investments!,” LCD Enclosures, http://LCDenclosures.com/products_display_enclosures.html, May 17, 2010, 3 pages.
“Waterproof TV-Legends Series Colorful Life,” Luxurite UK Ltd., <http://www.luxurite.com/products/waterproof-TV/waterproof-TV-legend.html>, May 17, 2010, 5 pages.
“Pantel—Ultrabright Outdoor Screen TVs,” <http://panteltv.com>, May 17, 2010, 5 pages.
International Search Report and Written Opinion for PCT Application No. PCT/US 2010/039815, Title: Display Enclosure, Apr. 14, 2011, 8 pages.

* cited by examiner

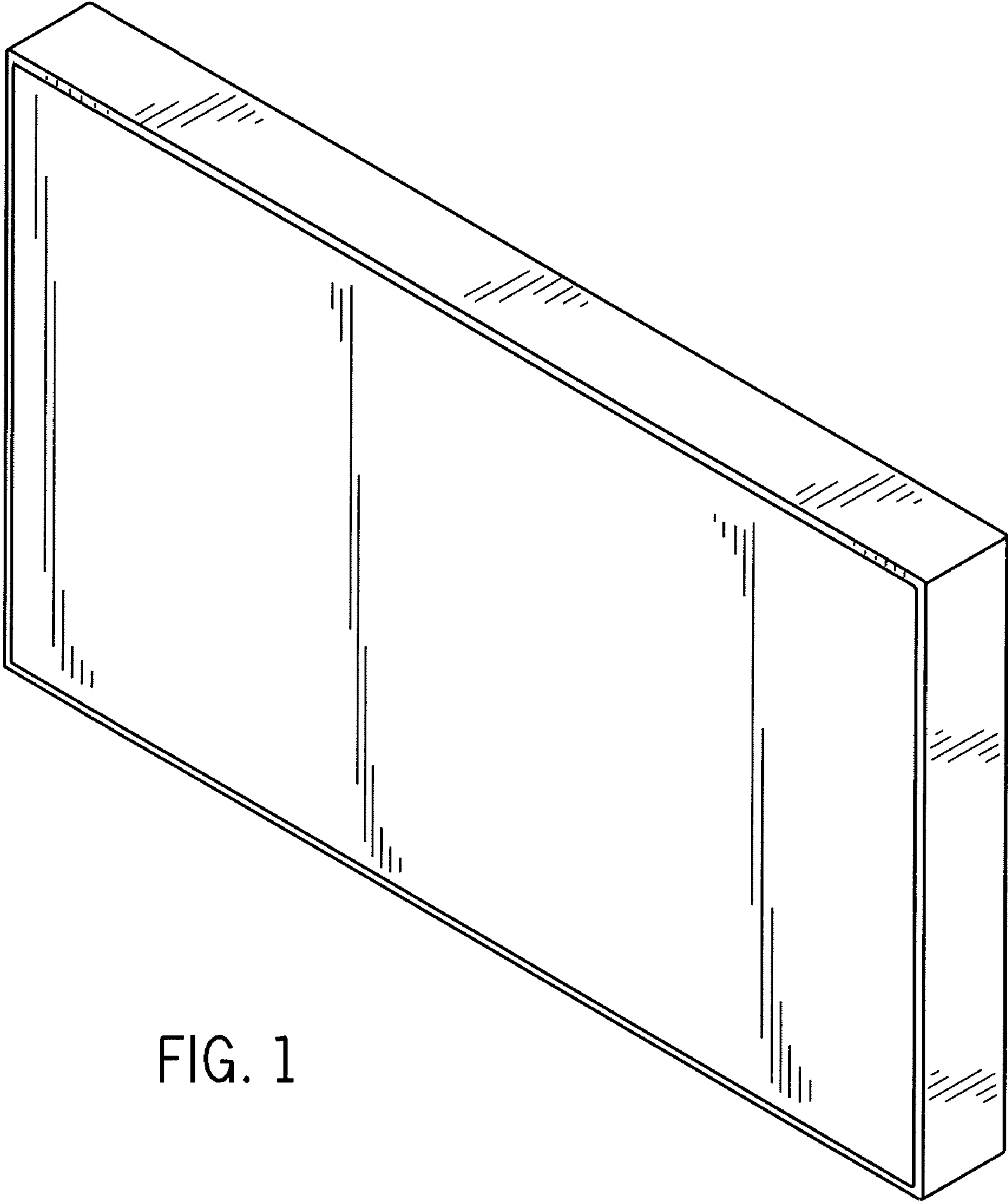


FIG. 1

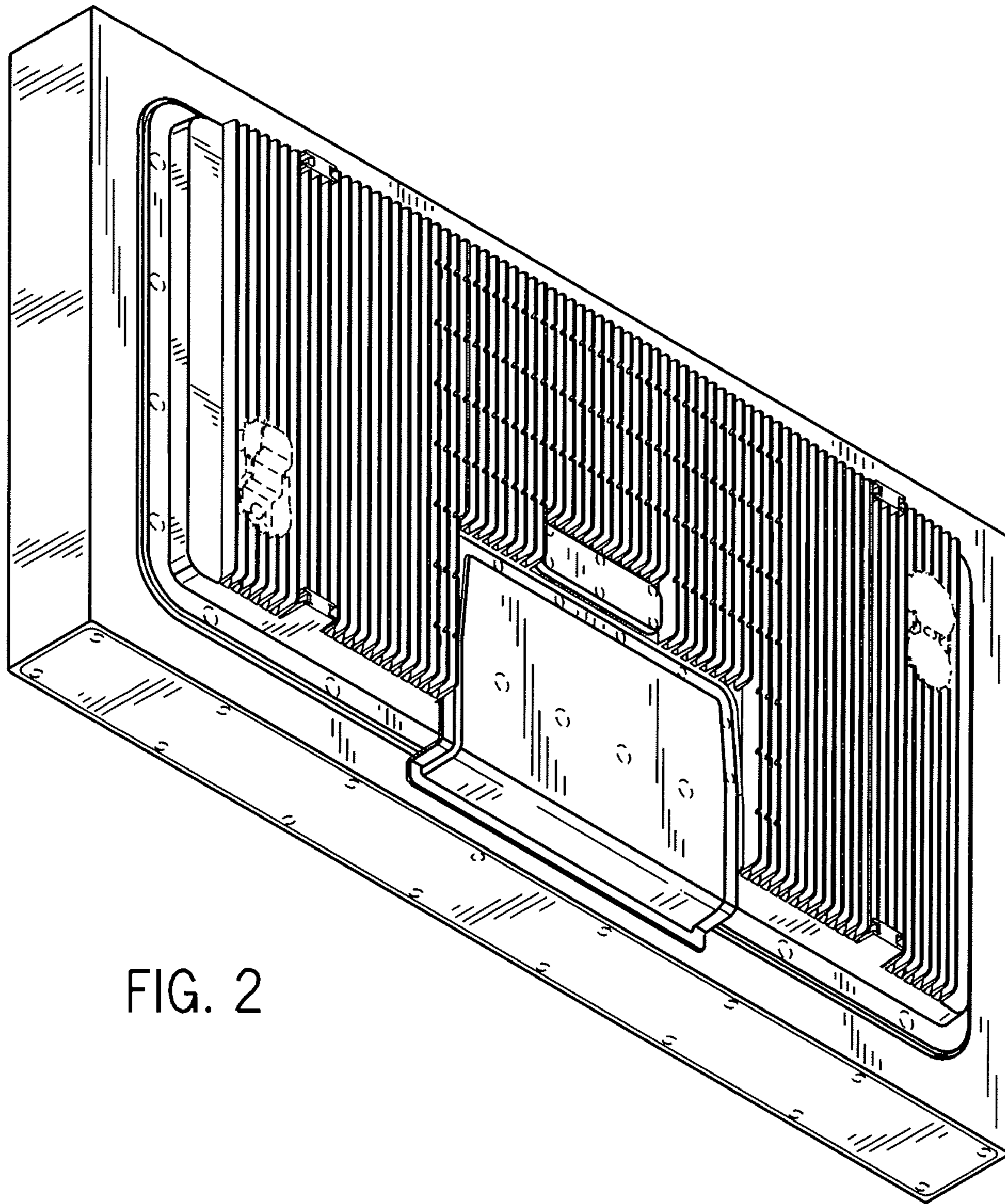


FIG. 2

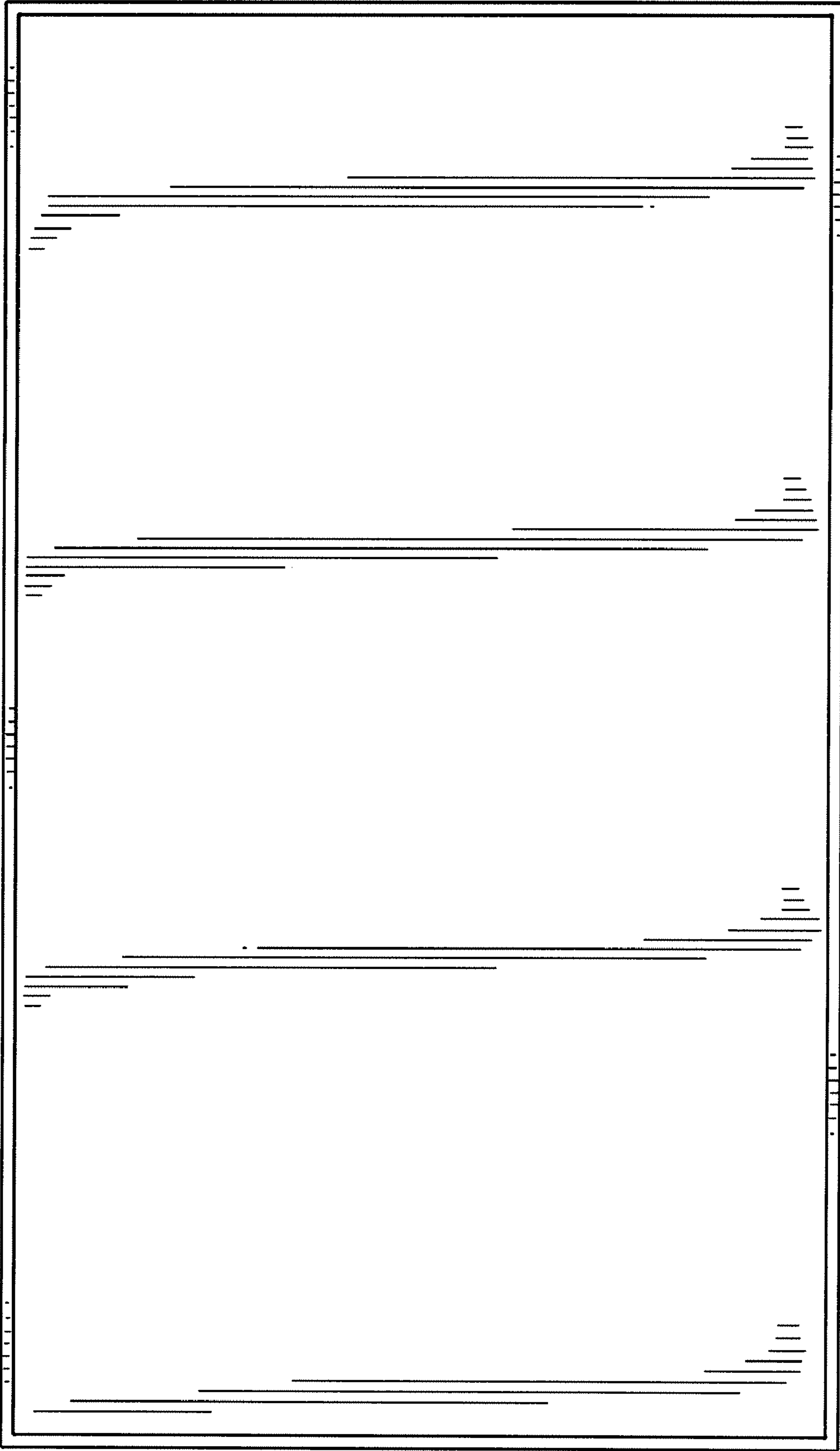


FIG. 3

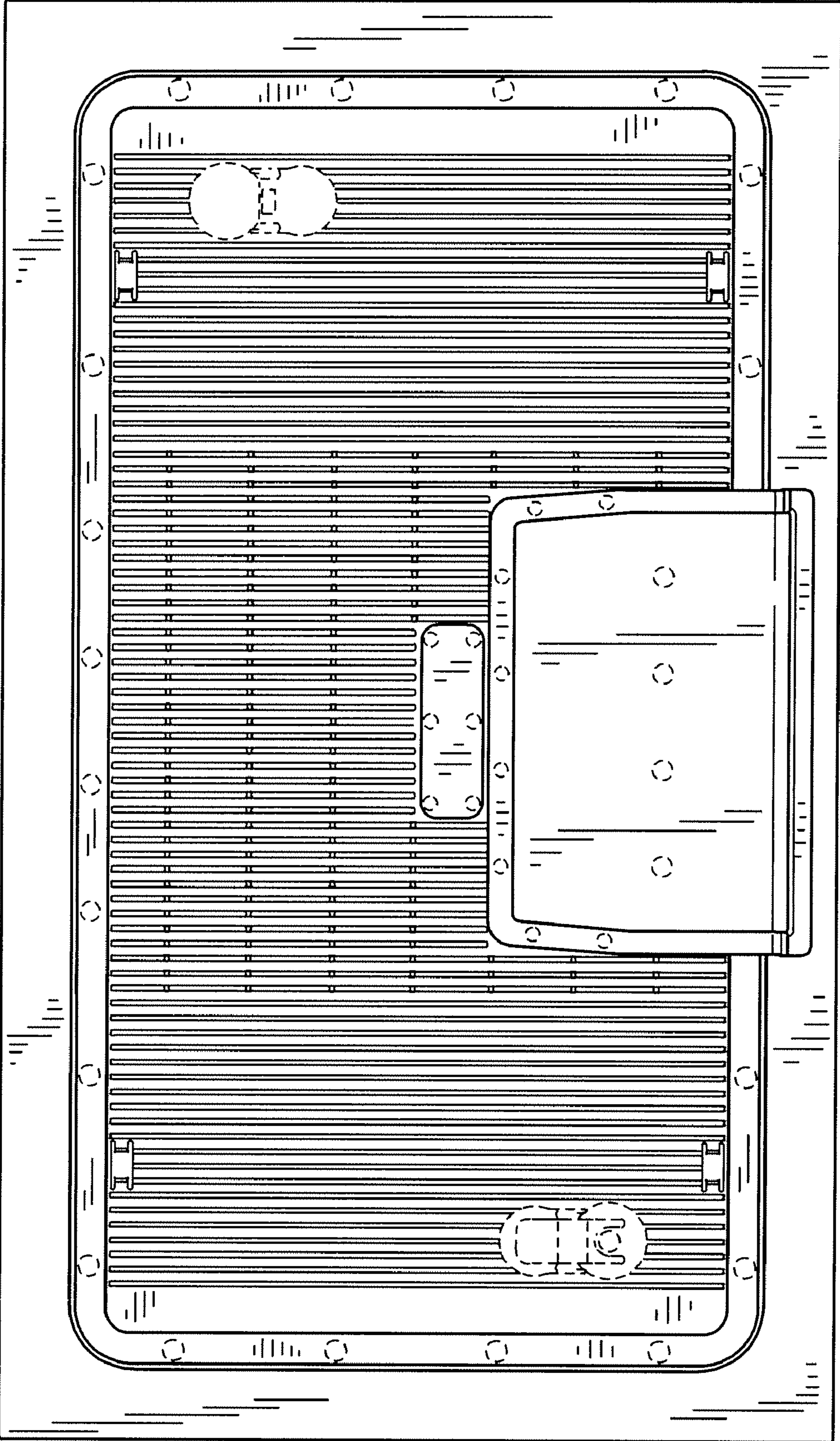


FIG. 4

FIG. 6

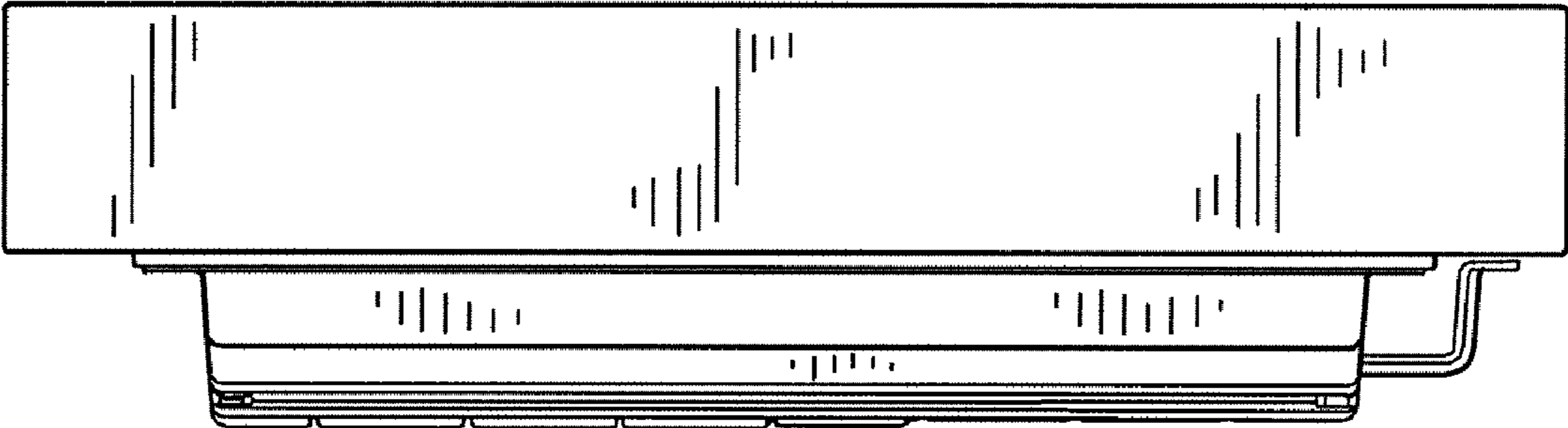
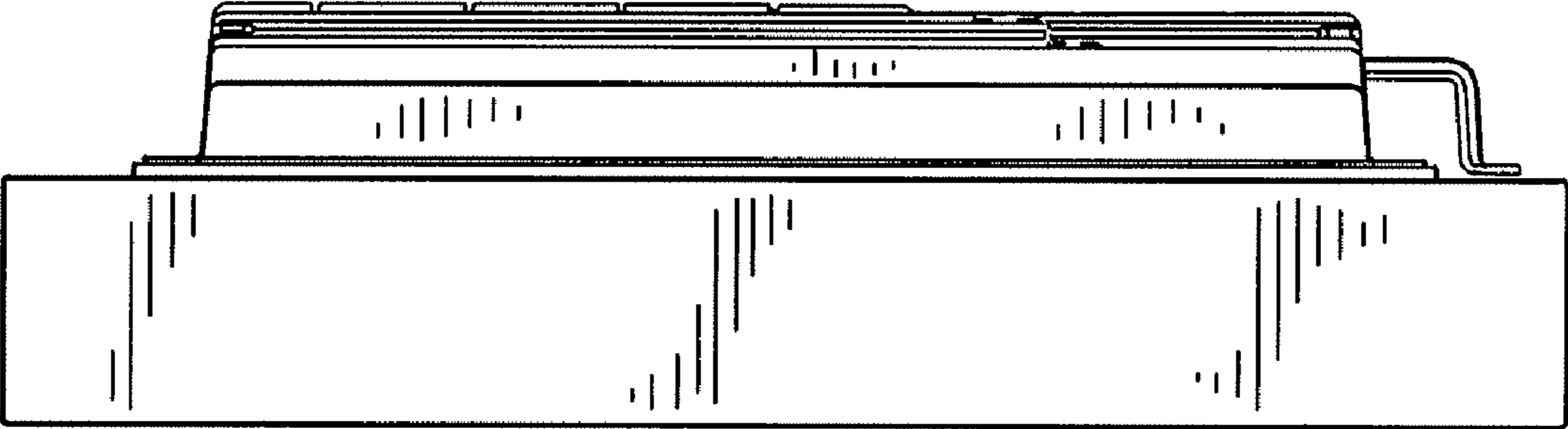


FIG. 5



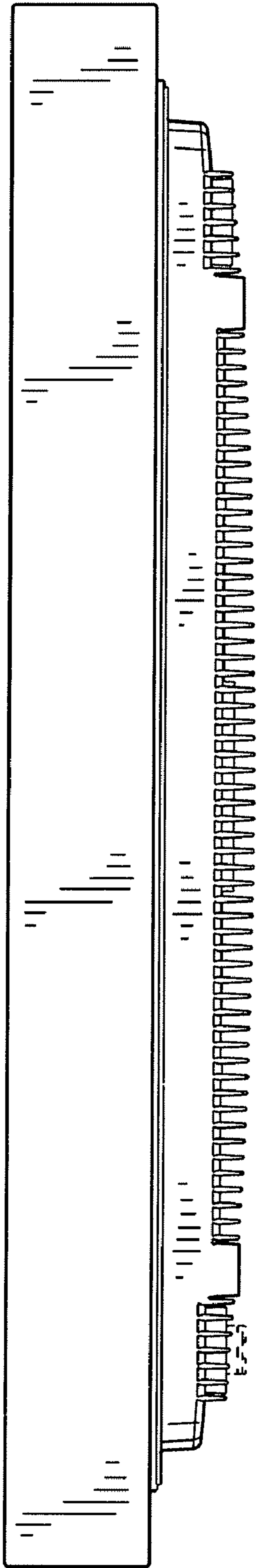


FIG. 7

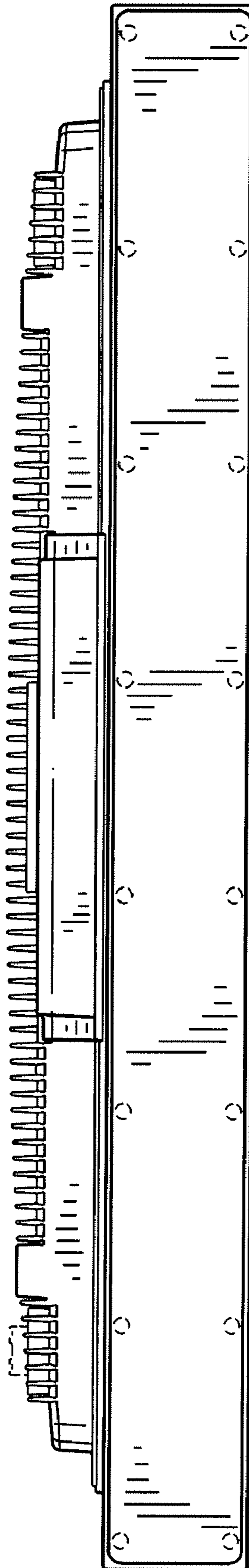


FIG. 8