



US00D641718S

(12) **United States Design Patent**  
**Sakai**

(10) **Patent No.:** **US D641,718 S**  
(45) **Date of Patent:** **\*\* Jul. 19, 2011**

(54) **REMOTE CONTROLLER FOR CEILING LIGHT**

(75) Inventor: **Chikako Sakai**, Osaka (JP)

(73) Assignee: **Sharp Kabushiki Kaisha**, Osaka (JP)

(\*\*) Term: **14 Years**

(21) Appl. No.: **29/377,865**

(22) Filed: **Oct. 27, 2010**

(30) **Foreign Application Priority Data**

Apr. 28, 2010 (JP) ..... 2010-010606

(51) **LOC (9) Cl.** ..... **14-03**

(52) **U.S. Cl.** ..... **D13/168**

(58) **Field of Classification Search** ..... D13/168;  
D10/104, 106; D14/218, 247; 340/825.22,  
340/825.24, 825.25, 825.31, 825.36, 825.69,  
340/825.72; 341/176; 455/352; 345/156,  
345/169; 348/734; 463/39; 700/17, 65,  
700/83

See application file for complete search history.

(56) **References Cited**

**U.S. PATENT DOCUMENTS**

|            |         |                 |
|------------|---------|-----------------|
| D307,432 S | 4/1990  | Usami et al.    |
| D308,346 S | 6/1990  | Nakagawa et al. |
| D342,258 S | 12/1993 | Saito et al.    |
| D342,260 S | 12/1993 | Sakata          |
| D352,717 S | 11/1994 | Usami et al.    |
| D353,596 S | 12/1994 | Usami et al.    |
| D380,473 S | 7/1997  | Otani           |
| D394,264 S | 5/1998  | Sakamoto et al. |

|              |         |               |         |
|--------------|---------|---------------|---------|
| D458,920 S   | 6/2002  | Kita          |         |
| D459,341 S   | 6/2002  | Saeki et al.  |         |
| D521,986 S * | 5/2006  | Depay et al.  | D14/218 |
| D524,296 S   | 7/2006  | Kita          |         |
| D531,137 S * | 10/2006 | Wu            | D13/168 |
| D557,666 S * | 12/2007 | Schroter      | D13/168 |
| D561,702 S * | 2/2008  | Ohta          | D13/168 |
| D573,548 S * | 7/2008  | Chouji et al. | D13/168 |
| D608,305 S * | 1/2010  | Alexanderson  | D13/168 |
| D619,107 S * | 7/2010  | Giugiaro      | D13/168 |
| D621,370 S * | 8/2010  | Chouji et al. | D13/168 |
| D621,372 S * | 8/2010  | Won et al.    | D13/168 |
| D625,276 S * | 10/2010 | Won et al.    | D13/168 |

\* cited by examiner

*Primary Examiner* — Selina Sikder

(74) *Attorney, Agent, or Firm* — Nixon & Vanderhye, P.C.

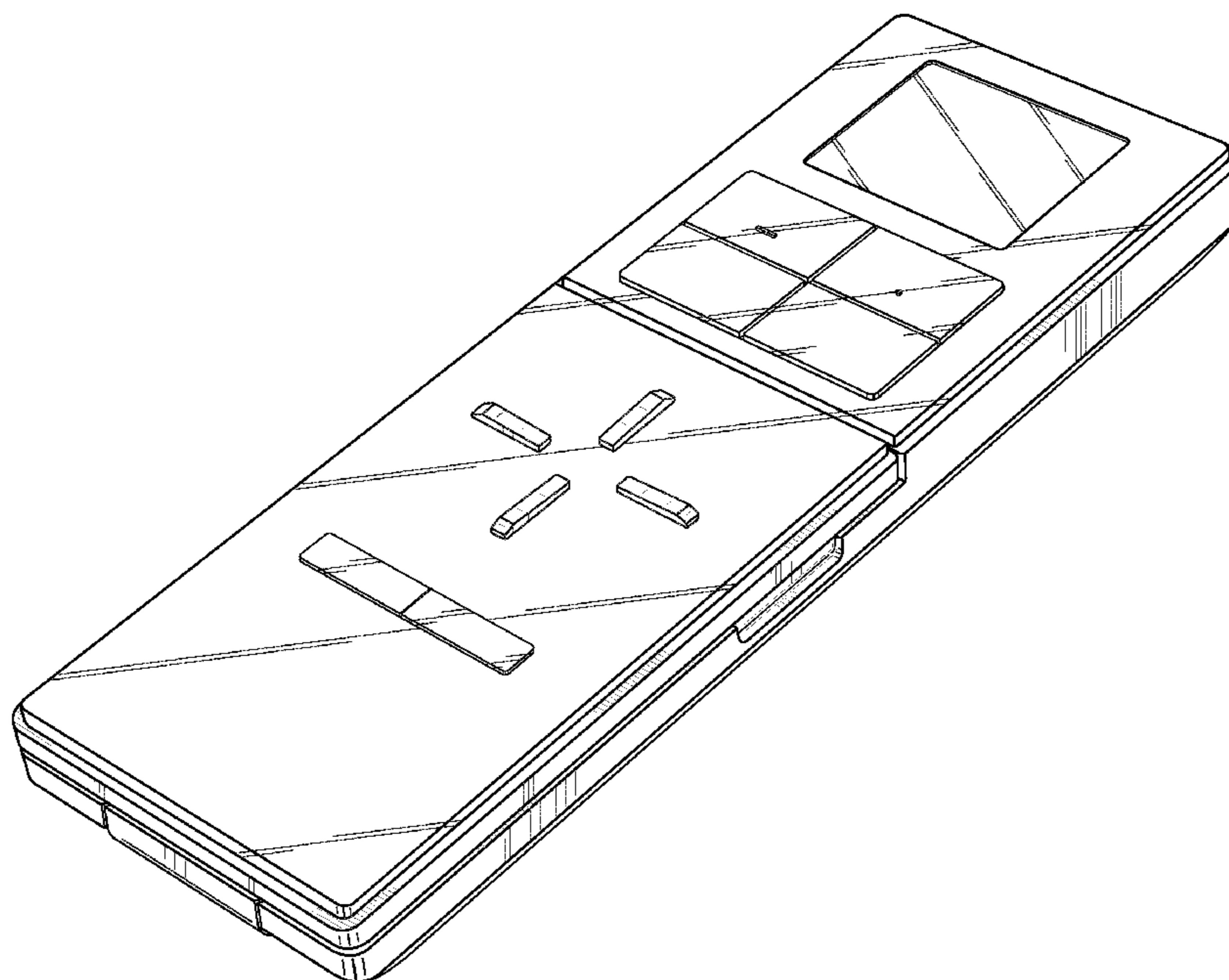
(57) **CLAIM**

The ornamental design for remote controller for ceiling light, as shown and described.

**DESCRIPTION**

FIG. 1 is a lower, front, right perspective view of the remote controller for ceiling light in accordance with my new design; FIG. 2 is a front elevation view thereof; FIG. 3 is a rear elevation view thereof; FIG. 4 is a top plan view thereof; FIG. 5 is a bottom plan view thereof; FIG. 6 is a right side elevation view thereof; FIG. 7 is a left side elevation view thereof; and, FIG. 8 is a lower, front, right perspective view similar to FIG. 1 but showing the controller in an open position. The subject matter shown in dashed lines in FIG. 8 is for reference purposes only, and forms no part of the claimed design.

**1 Claim, 6 Drawing Sheets**



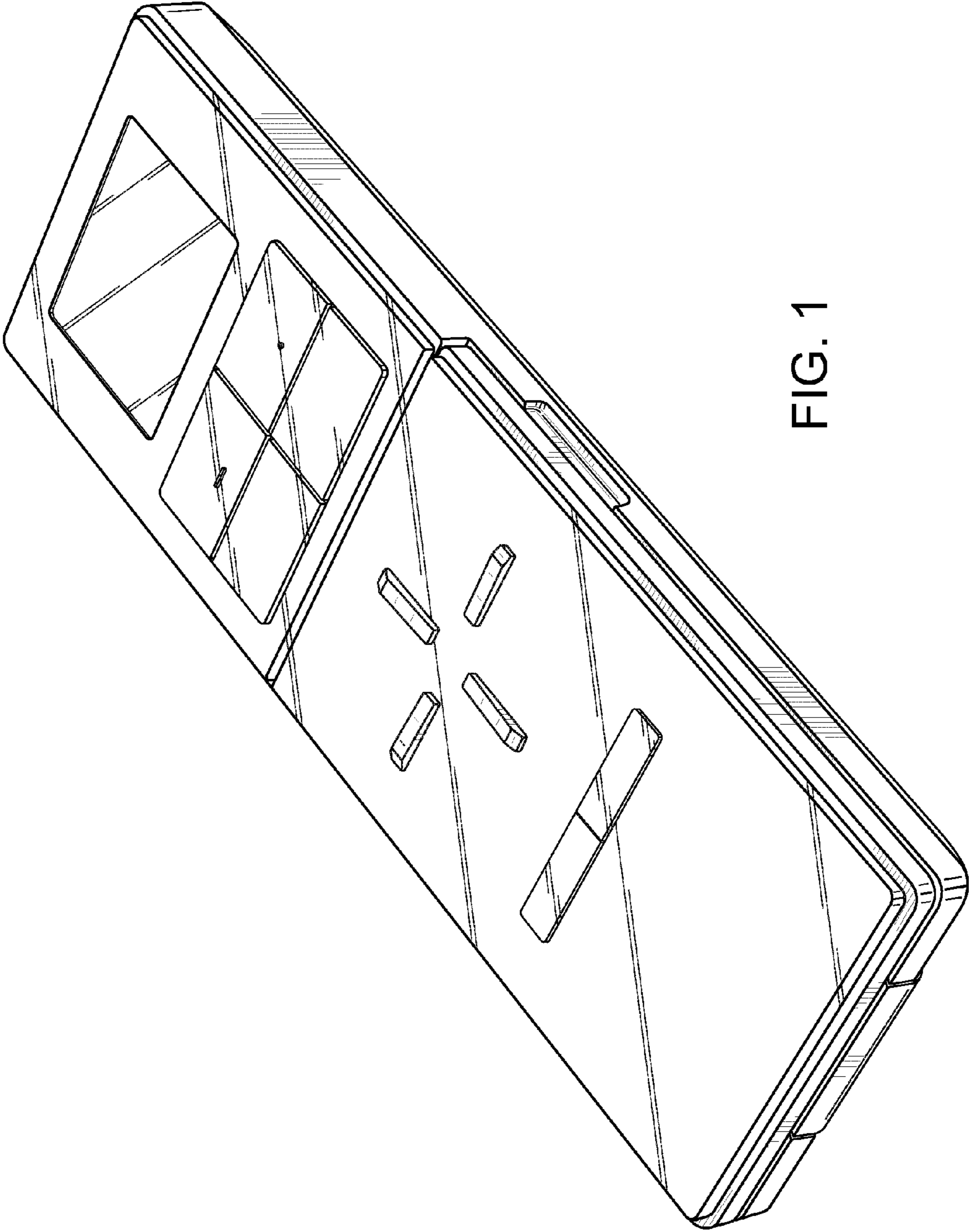


FIG. 1

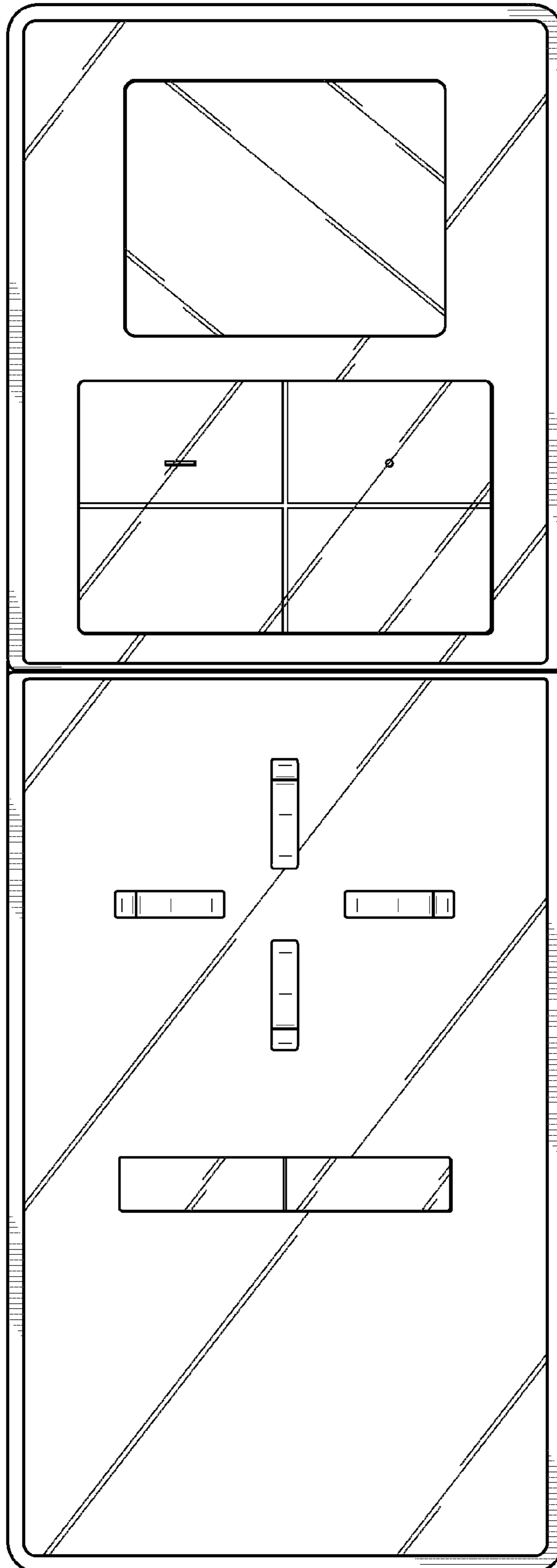


FIG. 2

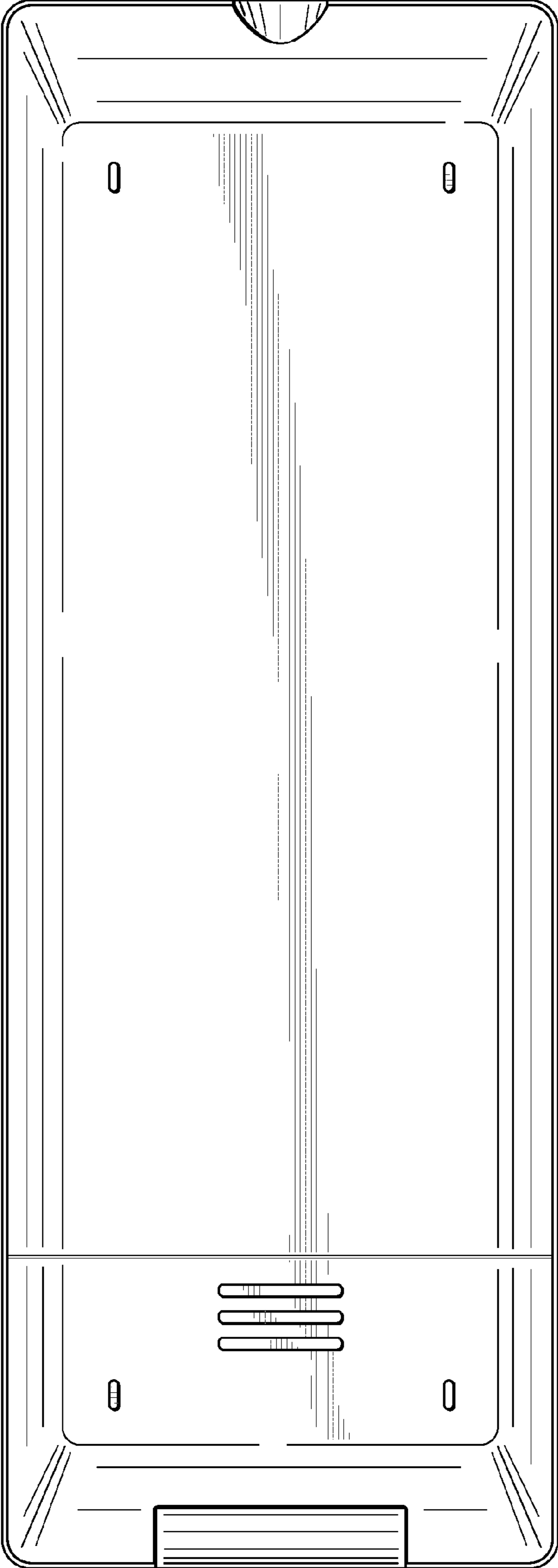


FIG. 3

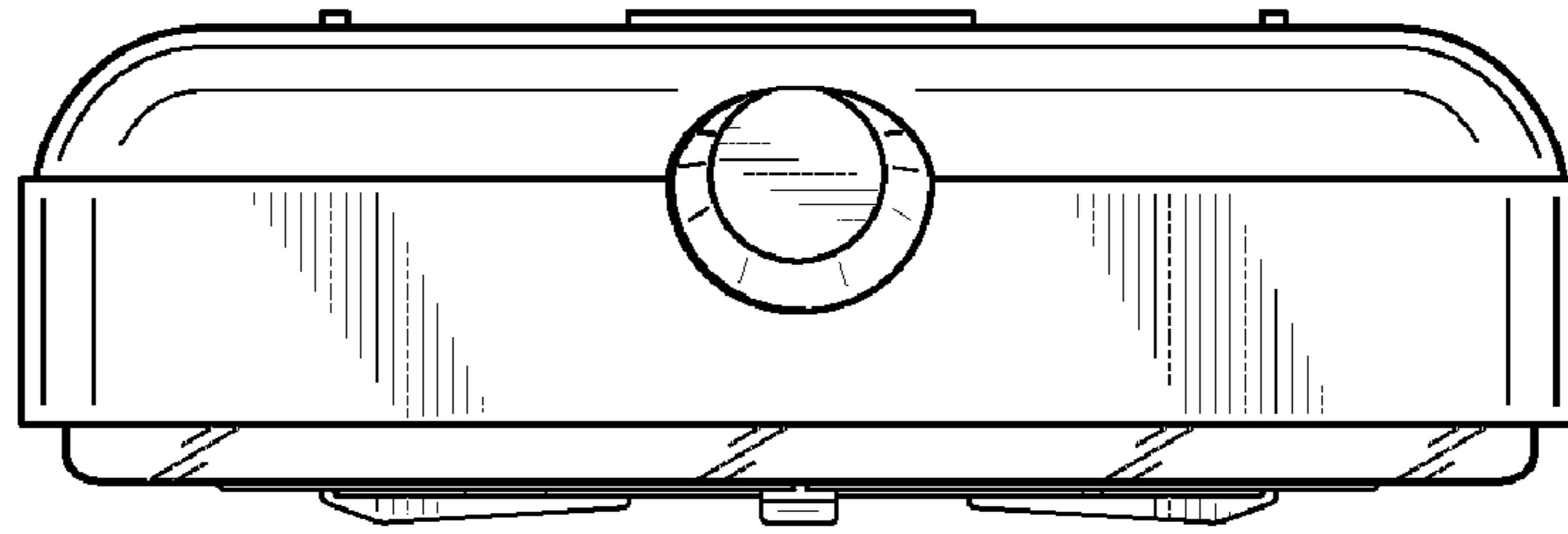


FIG. 4

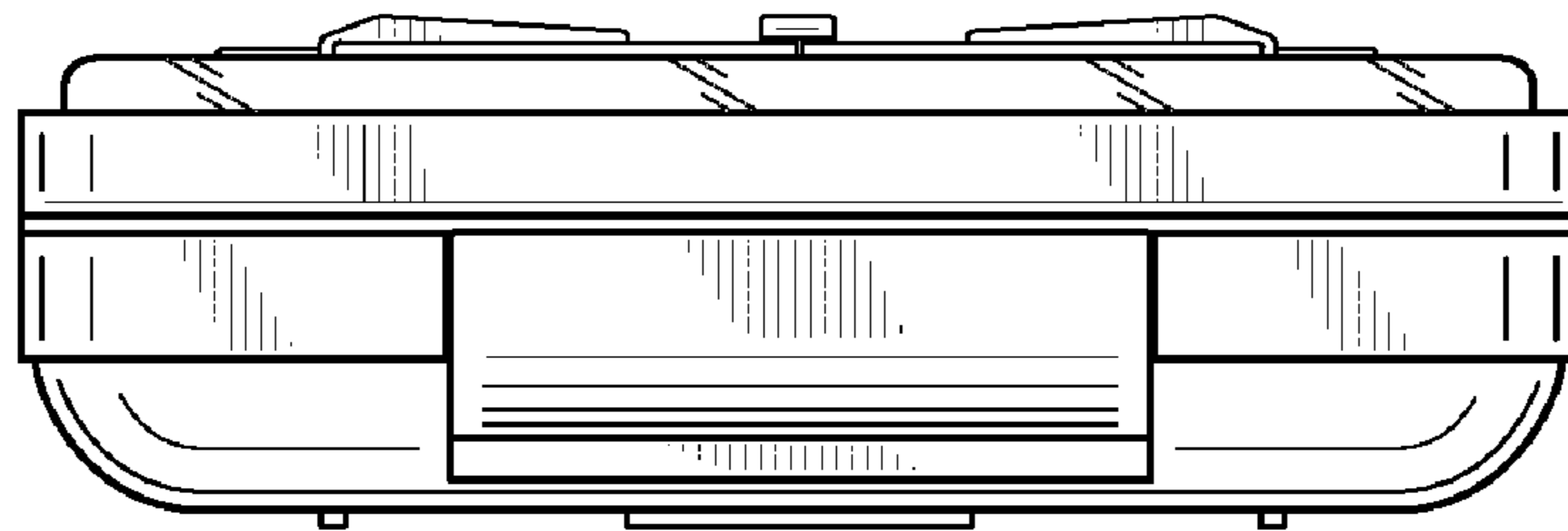


FIG. 5

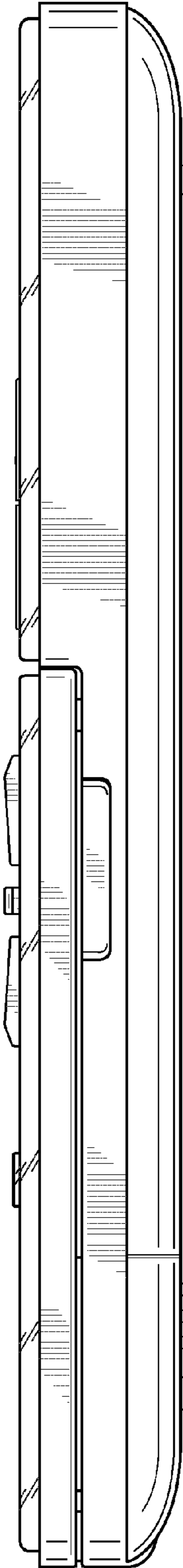


FIG. 6

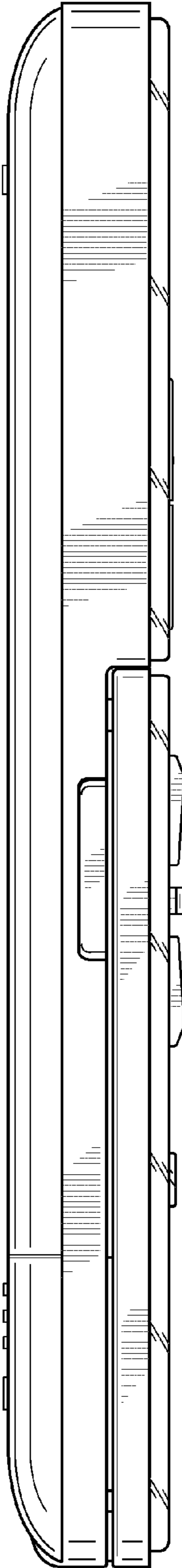


FIG. 7

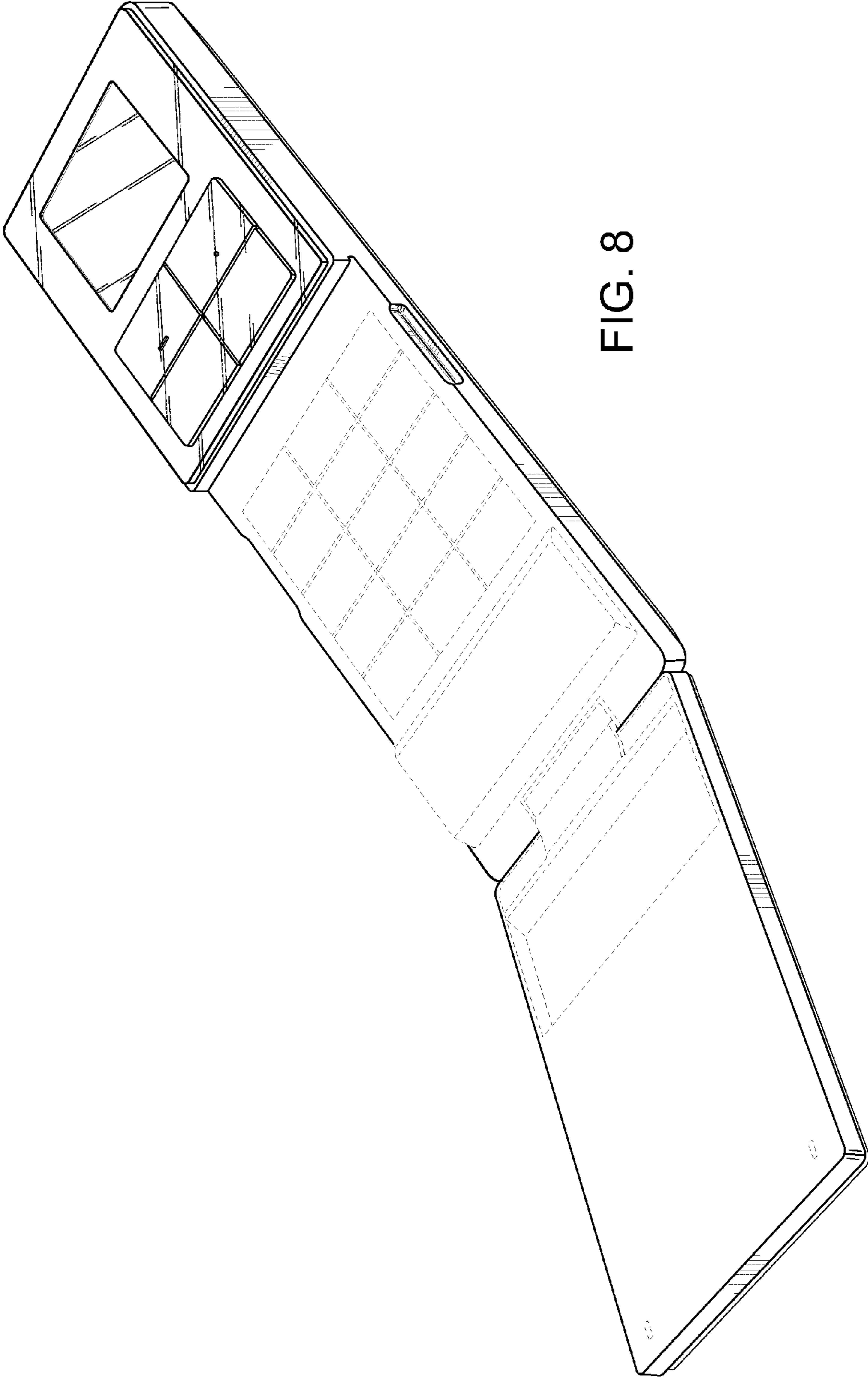


FIG. 8