



US00D641716S

(12) **United States Design Patent**
Kataoka et al.

(10) **Patent No.:** **US D641,716 S**
(45) **Date of Patent:** **** Jul. 19, 2011**

(54) **REMOTE CONTROLLER**

(75) Inventors: **Yukie Kataoka**, Chiyoda-Ku (JP);
Tomoko Ozeki, Chiyoda-Ku (JP)

(73) Assignee: **Mitsubishi Electric Corporation**,
Tokyo (JP)

(**) Term: **14 Years**

(21) Appl. No.: **29/358,658**

(22) Filed: **Mar. 30, 2010**

(30) **Foreign Application Priority Data**

Dec. 22, 2009 (JP) 2009-029758

(51) **LOC (9) Cl.** **14-03**

(52) **U.S. Cl.** **D13/168**

(58) **Field of Classification Search** D13/162,
D13/164, 168; D10/49, 50; D14/218, 443;
340/4.3, 4.31, 4.42, 12.22, 12.23, 12.24,
340/13.21, 13.24; 341/22, 34, 176, 333;
455/352; 345/156, 169, 173; 348/734; 463/39;
700/17, 65, 83; 200/5 A, 310
See application file for complete search history.

(56) **References Cited**

U.S. PATENT DOCUMENTS

D310,660	S *	9/1990	Ishida	D14/399
D364,573	S *	11/1995	Pearsall	D10/50
D418,820	S *	1/2000	Shintani et al.	D13/168
D450,305	S *	11/2001	Masuzoe et al.	D13/168
7,010,756	B2 *	3/2006	Nagasaka et al.	715/810
7,047,092	B2 *	5/2006	Wimsatt	700/83
D546,295	S *	7/2007	Marchetto et al.	D13/168
D559,710	S *	1/2008	Jacoby et al.	D10/49

D623,606	S *	9/2010	Nakai et al.	D13/168
2003/0080880	A1 *	5/2003	Kaino et al.	341/22
2007/0247338	A1 *	10/2007	Marchetto	341/22
2008/0273014	A1 *	11/2008	Lowles et al.	345/173
2009/0051571	A1 *	2/2009	Tang	341/22
2009/0139847	A1 *	6/2009	Yoon et al.	200/5 A
2009/0213066	A1 *	8/2009	Hardacker et al.	345/156
2009/0242368	A1 *	10/2009	Chang et al.	200/310
2009/0315850	A1 *	12/2009	Hotelling et al.	345/173
2010/0122897	A1 *	5/2010	Larsson	200/5 A
2011/0037718	A1 *	2/2011	Stephanick et al.	345/173

* cited by examiner

Primary Examiner — Selina Sikder

(74) *Attorney, Agent, or Firm* — Sughrue Mion, PLLC

(57) **CLAIM**

The ornamental design for a remote controller, as shown and described.

DESCRIPTION

FIG. 1 is a front, top and right side perspective view of a remote controller, showing my new design;
FIG. 2 is a front elevational view thereof;
FIG. 3 is a rear elevational view thereof;
FIG. 4 is a left side elevational view thereof;
FIG. 5 is a right side elevational view thereof;
FIG. 6 is a top plan view thereof;
FIG. 7 is a bottom plan view thereof;
FIG. 8 is an enlarged cross-sectional view thereof; taken along line 8—8 of FIG. 2, with the internal system omitted;
FIG. 9 is an enlarged view of a screen image thereof; and,
FIG. 10 is a reference front elevational view showing a state of use.

The broken lines in all views are shown for illustrative purposes only and form no part of the claimed design.

1 Claim, 4 Drawing Sheets

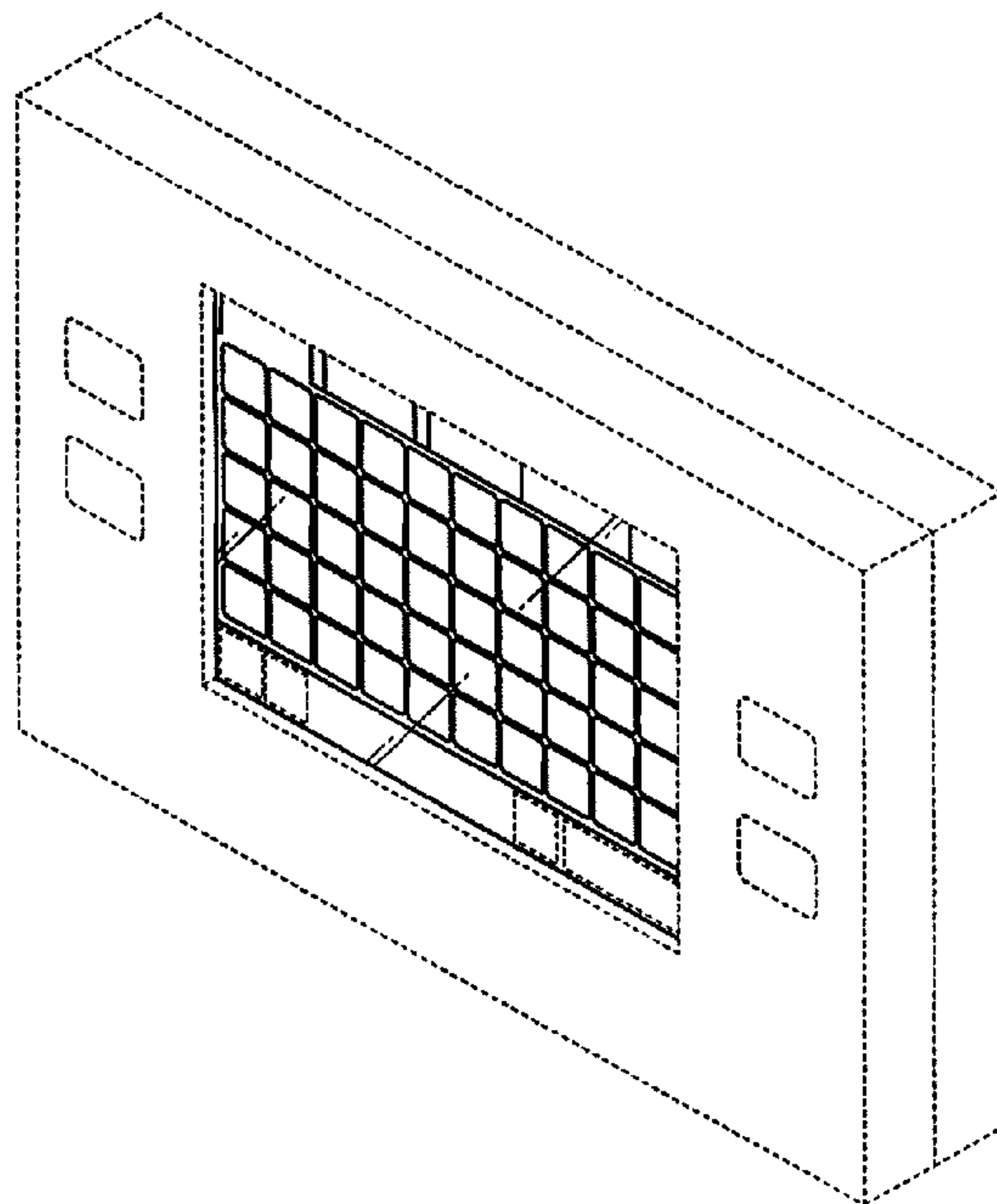


FIG.1

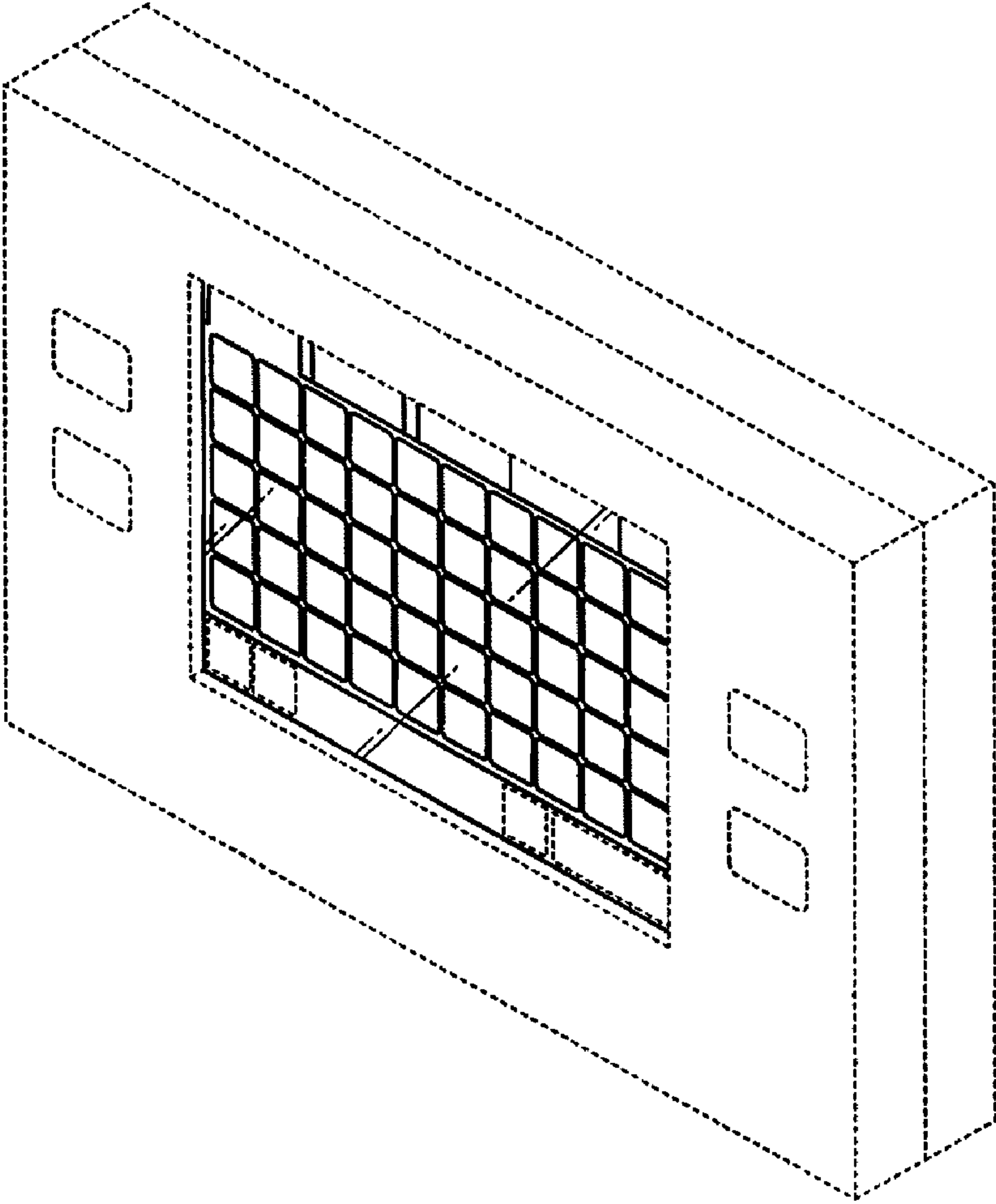


FIG.2

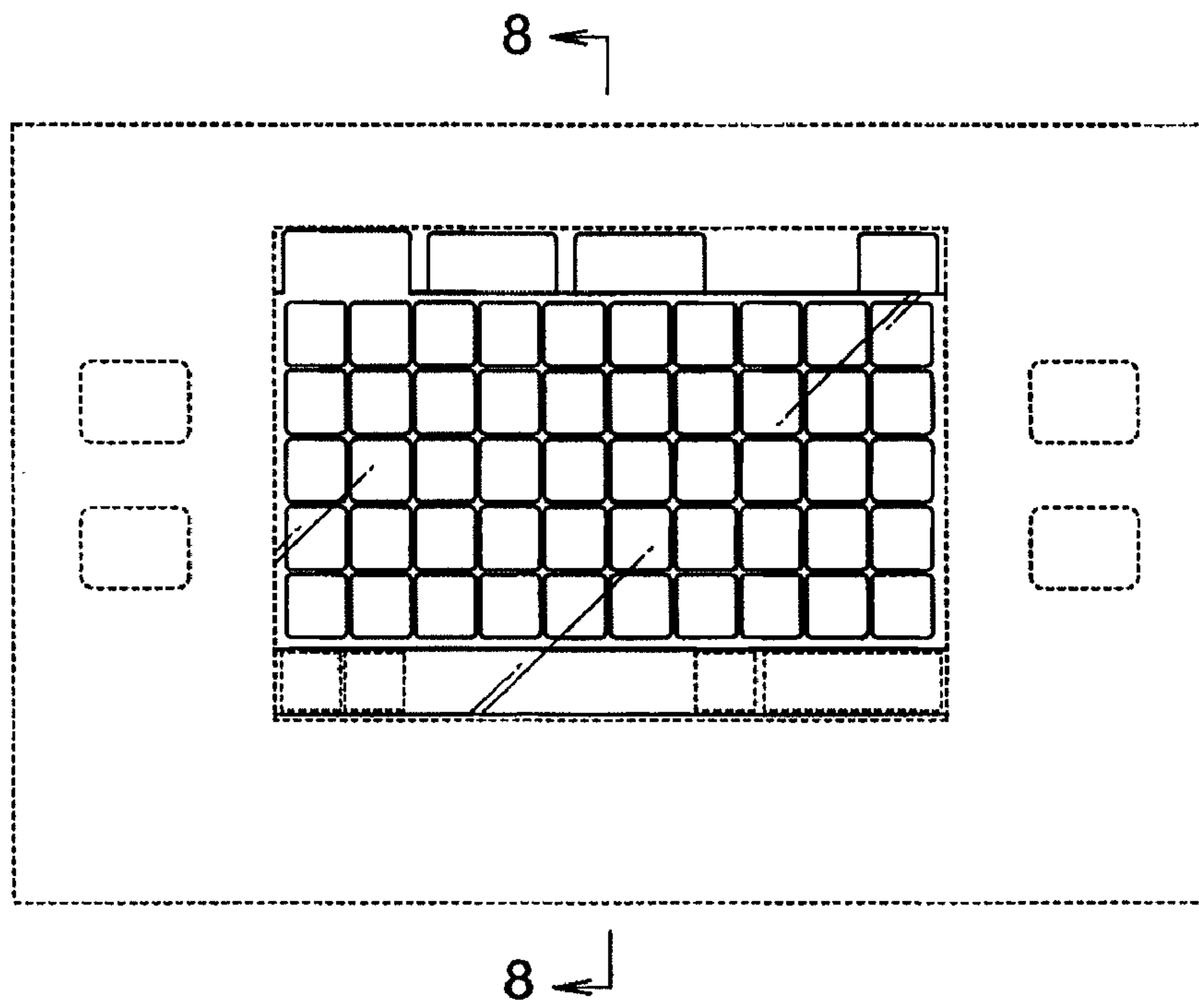


FIG.3

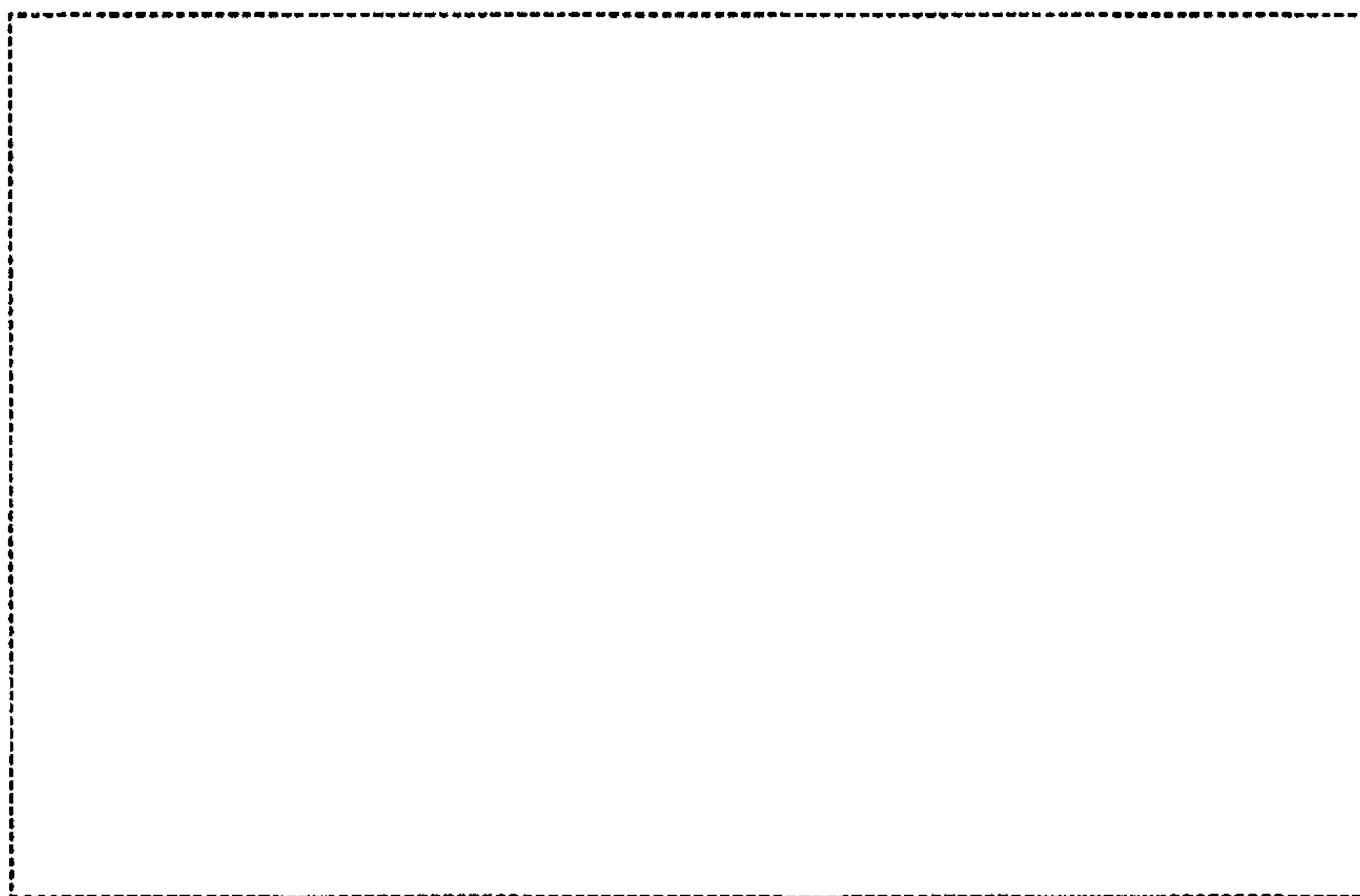


FIG. 4



FIG. 5



FIG. 6

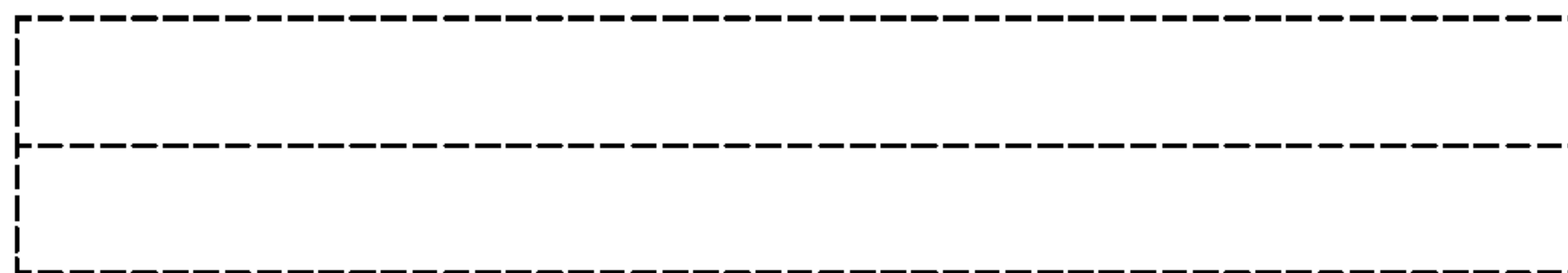


FIG. 7

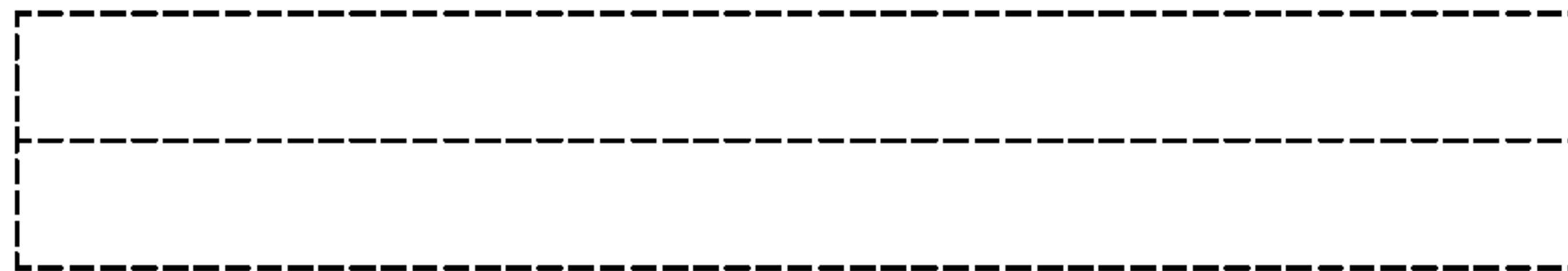


FIG. 8

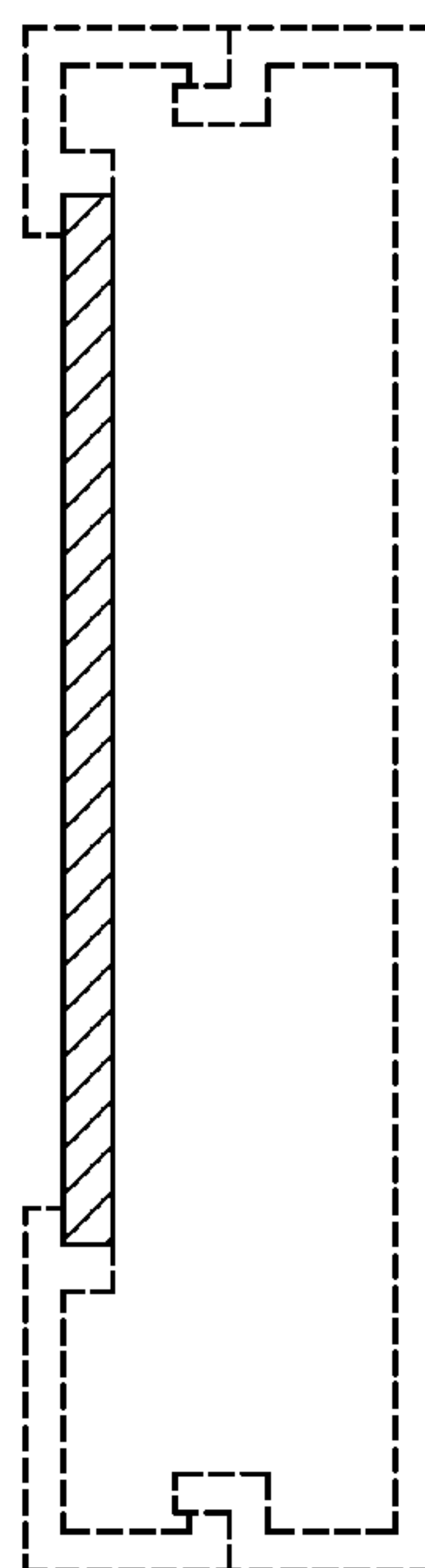


FIG.9

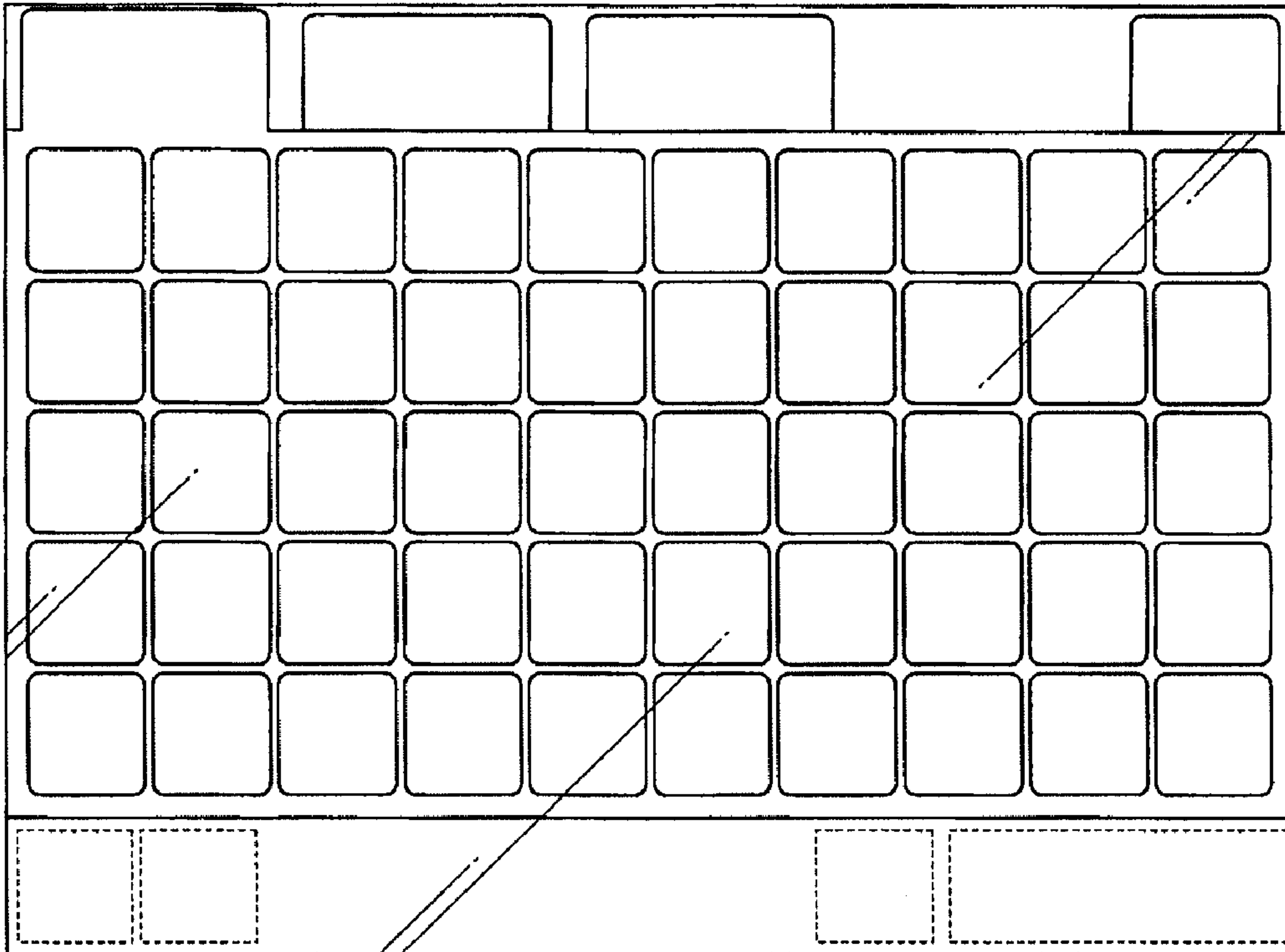


FIG.10

