



US00D641712S

(12) **United States Design Patent**
Berning et al.

(10) **Patent No.:** **US D641,712 S**
(45) **Date of Patent:** **** Jul. 19, 2011**

(54) **CONTROL PANEL FOR A CONSTRUCTION MACHINE**

(75) Inventors: **Christian Berning**, Zülpich (DE);
Thomas Kramer, Königswinter (DE);
Cyrus Barimani, Königswinter (DE);
Günter Hähn, Königswinter (DE)

(73) Assignee: **Wirtgen GmbH** (DE)

(**) Term: **14 Years**

(21) Appl. No.: **29/358,528**

(22) Filed: **Mar. 29, 2010**

(30) **Foreign Application Priority Data**

Sep. 30, 2009	(EM)	001617879-0001
Sep. 30, 2009	(EM)	001617879-0002
Sep. 30, 2009	(EM)	001617879-0003
Sep. 30, 2009	(EM)	001617879-0004
Sep. 30, 2009	(EM)	001617879-0005
Sep. 30, 2009	(EM)	001617879-0006
Sep. 30, 2009	(EM)	001617994

(51) **LOC (9) Cl.** **13-03**

(52) **U.S. Cl.** **D13/164**

(58) **Field of Classification Search** D13/162,
D13/164; D15/28; 180/315; 361/93.1; 701/1,
701/50

See application file for complete search history.

(56) **References Cited**

U.S. PATENT DOCUMENTS

4,920,799	A *	5/1990	Low	73/431
5,065,320	A *	11/1991	Hayashi et al.	701/1
5,653,292	A *	8/1997	Ptacek et al.	172/4
6,152,238	A *	11/2000	Ferrell et al.	172/2
6,863,006	B2 *	3/2005	Sandoval et al.	111/200
D557,218	S *	12/2007	Ewringmann	D13/164
D557,220	S *	12/2007	Ewringmann	D13/168
7,487,608	B2 *	2/2009	Yamazaki et al.	37/245
7,569,777	B1 *	8/2009	Gillam	174/562
D603,350	S *	11/2009	Melzner et al.	D13/164
7,626,491	B2 *	12/2009	Yamada et al.	340/438
D608,302	S *	1/2010	Liu	D13/164
D621,794	S *	8/2010	Haeske et al.	D13/164
2006/0025914	A1 *	2/2006	Buschmann	701/50
2007/0169955	A1 *	7/2007	Pape et al.	174/50
2010/0185335	A1 *	7/2010	Sawada	700/282

* cited by examiner

Primary Examiner — Selina Sikder

(74) *Attorney, Agent, or Firm* — Wadley & Patterson, P.C.;
Lucian Wayne Beavers

(57) **CLAIM**

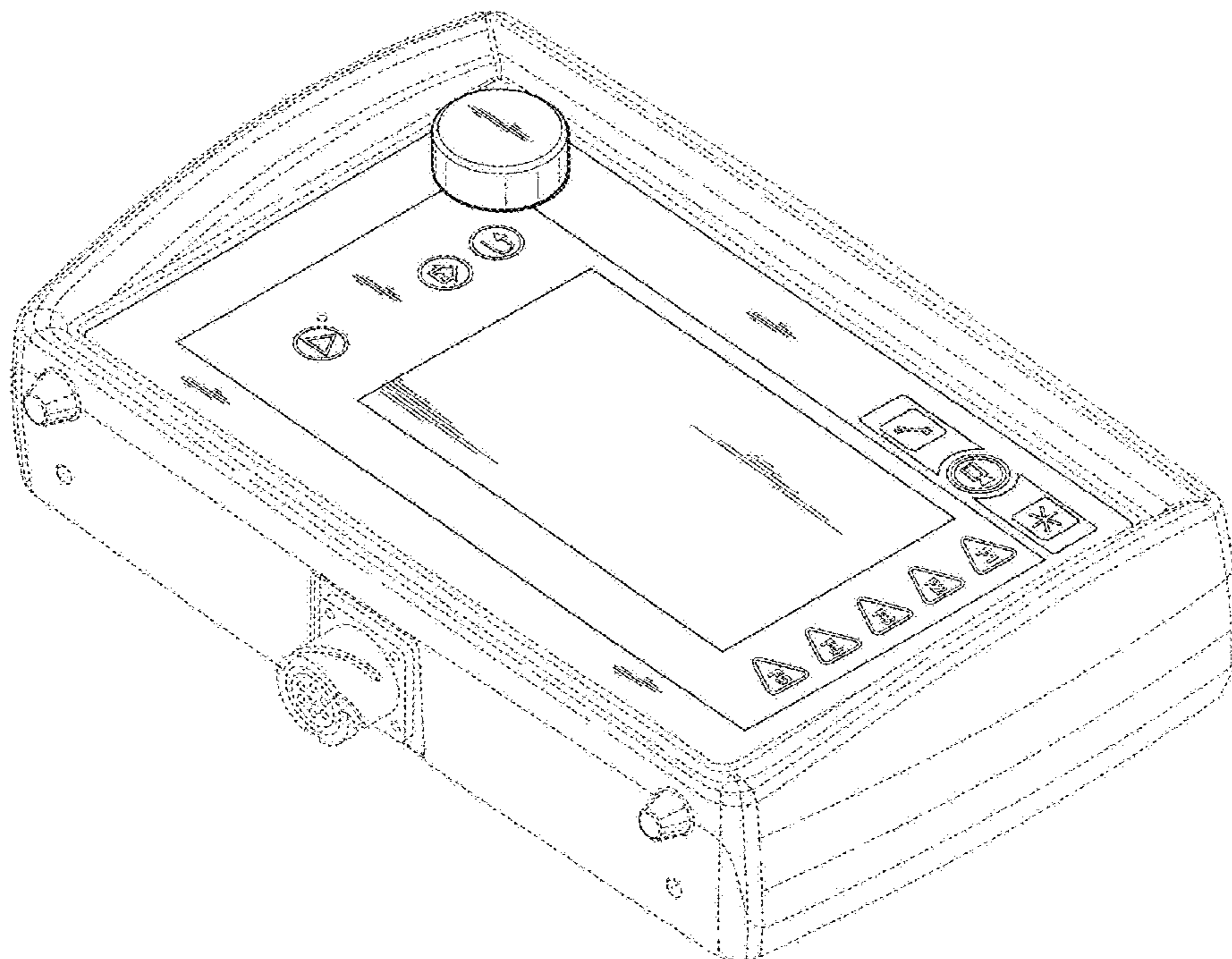
What is claimed is the ornamental design for a control panel for a construction machine, as shown and described.

DESCRIPTION

FIG. 1 is a top front perspective view of the control panel for a construction machine. the broken lines are shown for environmental purposes only and form no part of the claimed design; and,

FIG. 2 is a top plan view of the control panel for a construction machine of FIG. 1. The broken lines are shown for environmental purposes only and form no part of the claimed design.

1 Claim, 2 Drawing Sheets



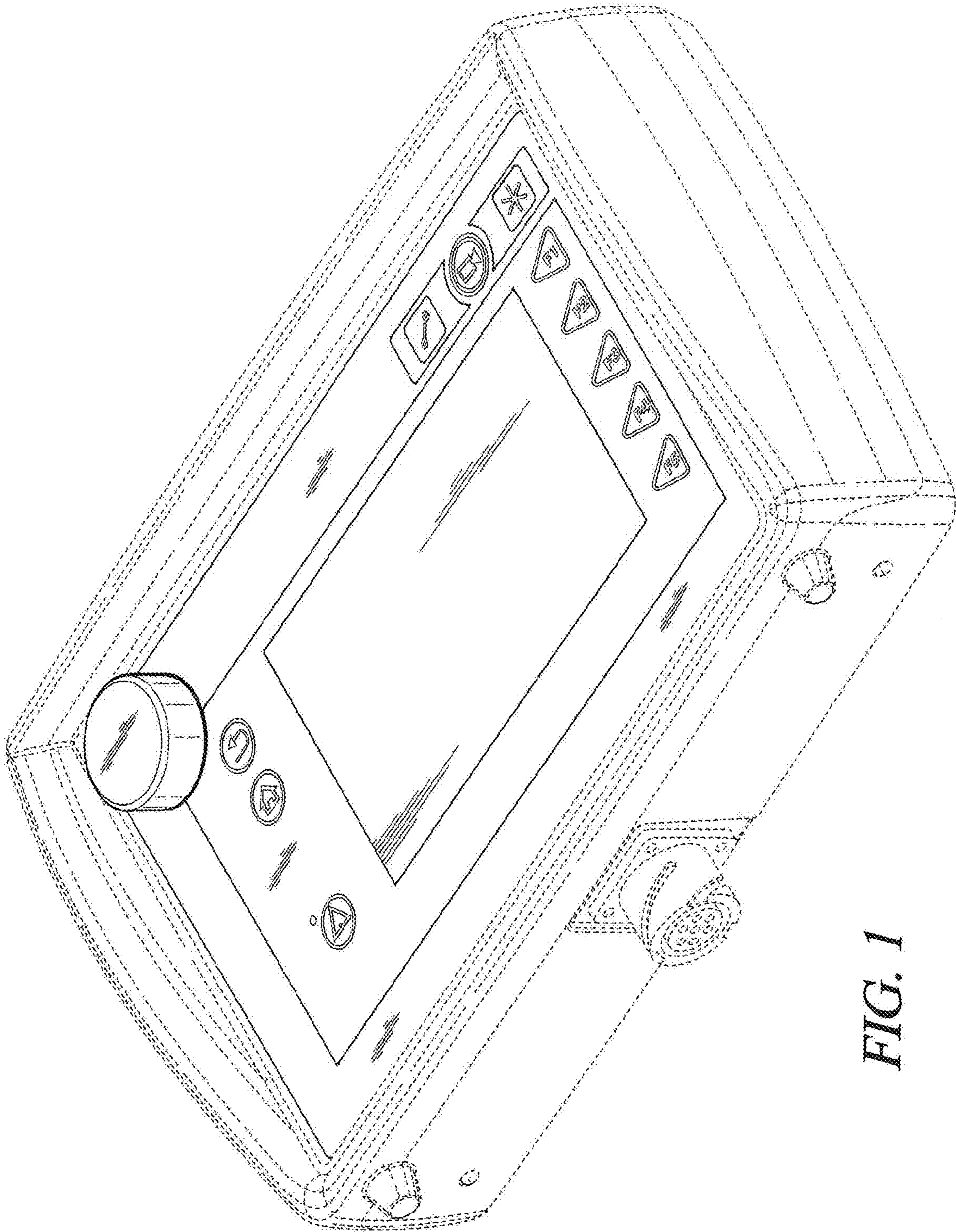


FIG. 1

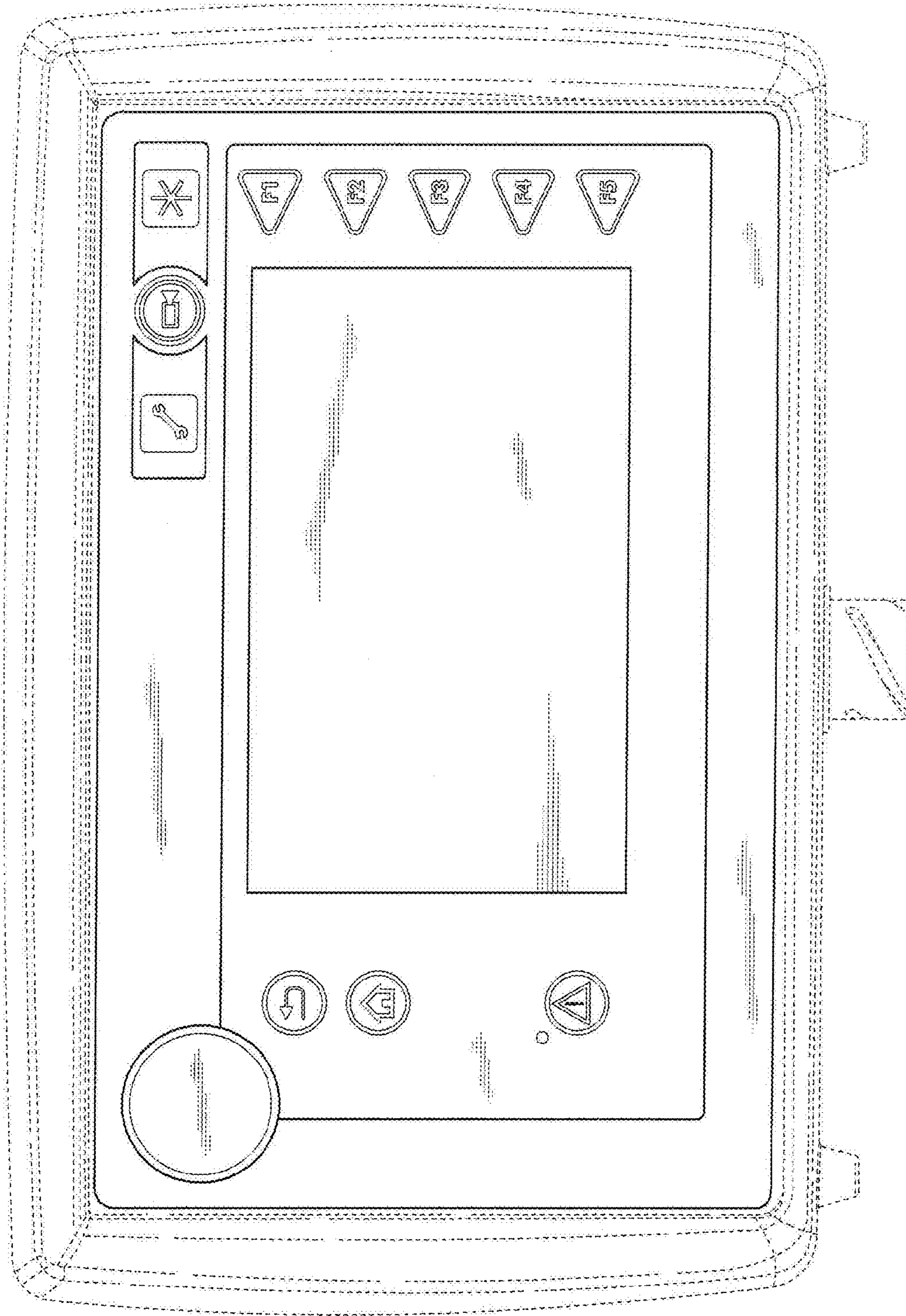


FIG. 2

UNITED STATES PATENT AND TRADEMARK OFFICE
CERTIFICATE OF CORRECTION

PATENT NO. : D641,712 S
APPLICATION NO. : 29/358528
DATED : July 19, 2011
INVENTOR(S) : Berning et al.

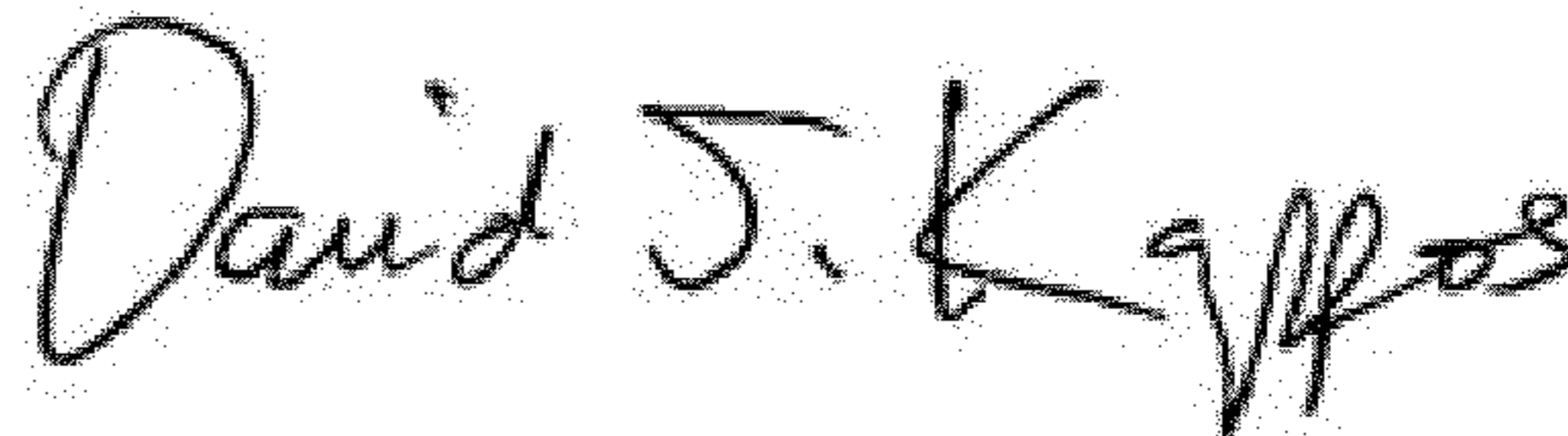
Page 1 of 1

It is certified that error appears in the above-identified patent and that said Letters Patent is hereby corrected as shown below:

Title page, column 1, in item (30), 8th line thereof, delete:

“Sep. 30, 2009 (EM).....001617994”

Signed and Sealed this
First Day of May, 2012

A handwritten signature in black ink that reads "David J. Kappos". The signature is written in a cursive, slightly slanted style.

David J. Kappos
Director of the United States Patent and Trademark Office