



US00D641706S

(12) **United States Design Patent**  
**Li et al.**

(10) **Patent No.:** **US D641,706 S**  
(45) **Date of Patent:** **\*\* Jul. 19, 2011**

(54) **RECEPTACLE CONNECTOR**

(75) Inventors: **Jiang Li**, Guang-Dong (CN); **Ming-Han Lin**, Tu-Cheng (TW); **Li-Jun Xu**, Guang-Dong (CN)

(73) Assignee: **Cheng Uei Precision Industry Co., Ltd.**, Tu-Cheng, Taipei Hsien (TW)

(\*\*) Term: **14 Years**

(21) Appl. No.: **29/379,886**

(22) Filed: **Nov. 25, 2010**

(51) **LOC (9) Cl.** ..... **13-03**

(52) **U.S. Cl.** ..... **D13/147**

(58) **Field of Classification Search** ..... D13/147,  
D13/154, 184; 439/79, 108, 378, 497, 567,  
439/607.01, 607.04, 607.07, 607.08, 607.09,  
439/607.11, 607.13, 607.14, 607.25, 607.31,  
439/607.32, 607.36, 607.4, 607.46, 668,  
439/680

See application file for complete search history.

(56) **References Cited**

**U.S. PATENT DOCUMENTS**

D510,909 S \* 10/2005 Tsai ..... D13/147  
D523,400 S \* 6/2006 Shang-Yen et al. .... D13/147

D584,232 S \* 1/2009 Su et al. .... D13/147  
D599,294 S \* 9/2009 Yang et al. .... D13/147  
D608,288 S \* 1/2010 Zhu et al. .... D13/147  
D620,443 S \* 7/2010 Shu ..... D13/147

\* cited by examiner

*Primary Examiner* — Daniel Bui

(74) *Attorney, Agent, or Firm* — Cheng-Ju Chiang

(57) **CLAIM**

The ornamental design for a receptacle connector, as shown and described.

**DESCRIPTION**

FIG. 1 is a perspective view of a receptacle connector showing our new design;

FIG. 2 is a front elevational view thereof;

FIG. 3 is a rear elevational view thereof;

FIG. 4 is a left side elevational view thereof;

FIG. 5 is a right side elevational view thereof;

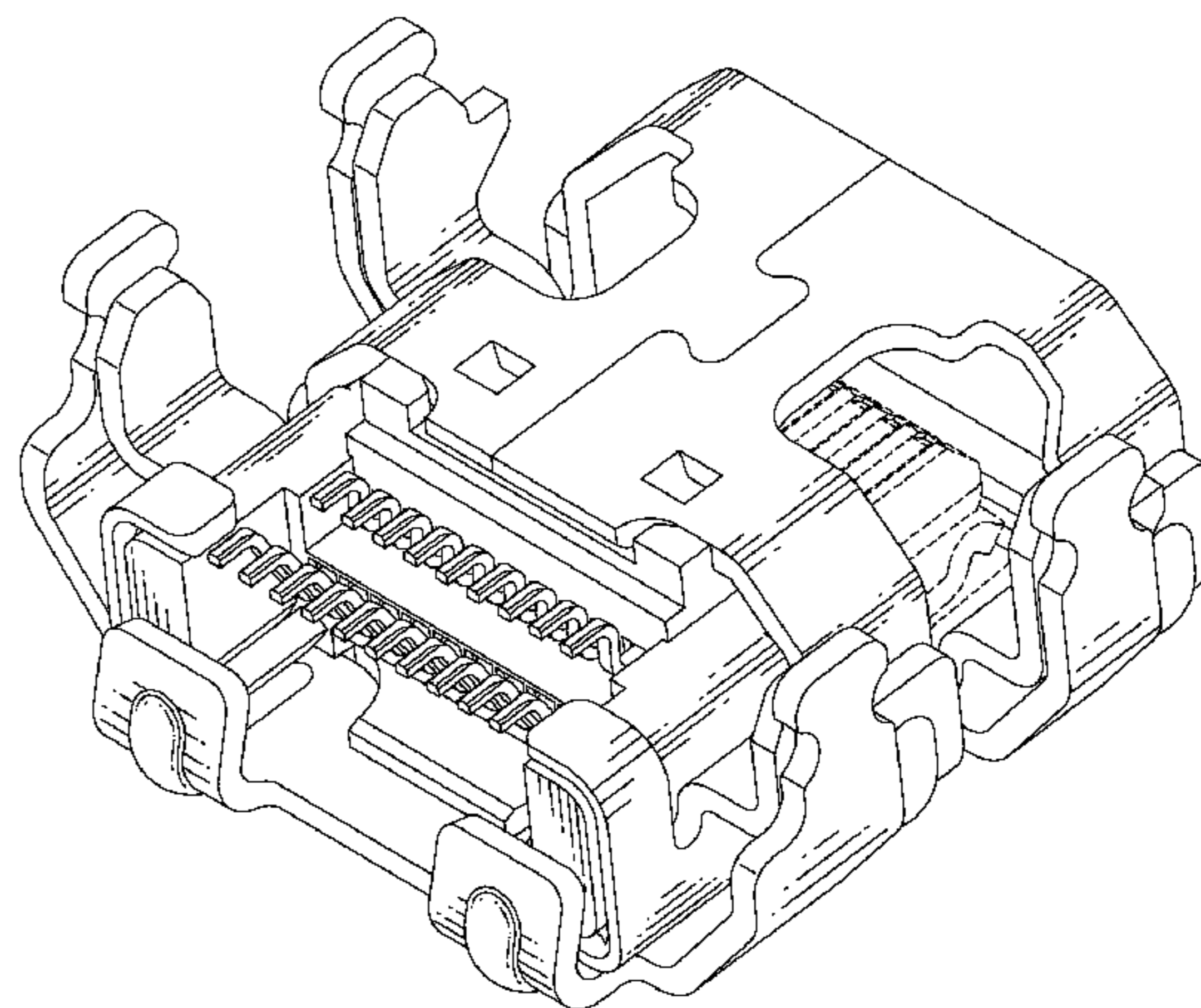
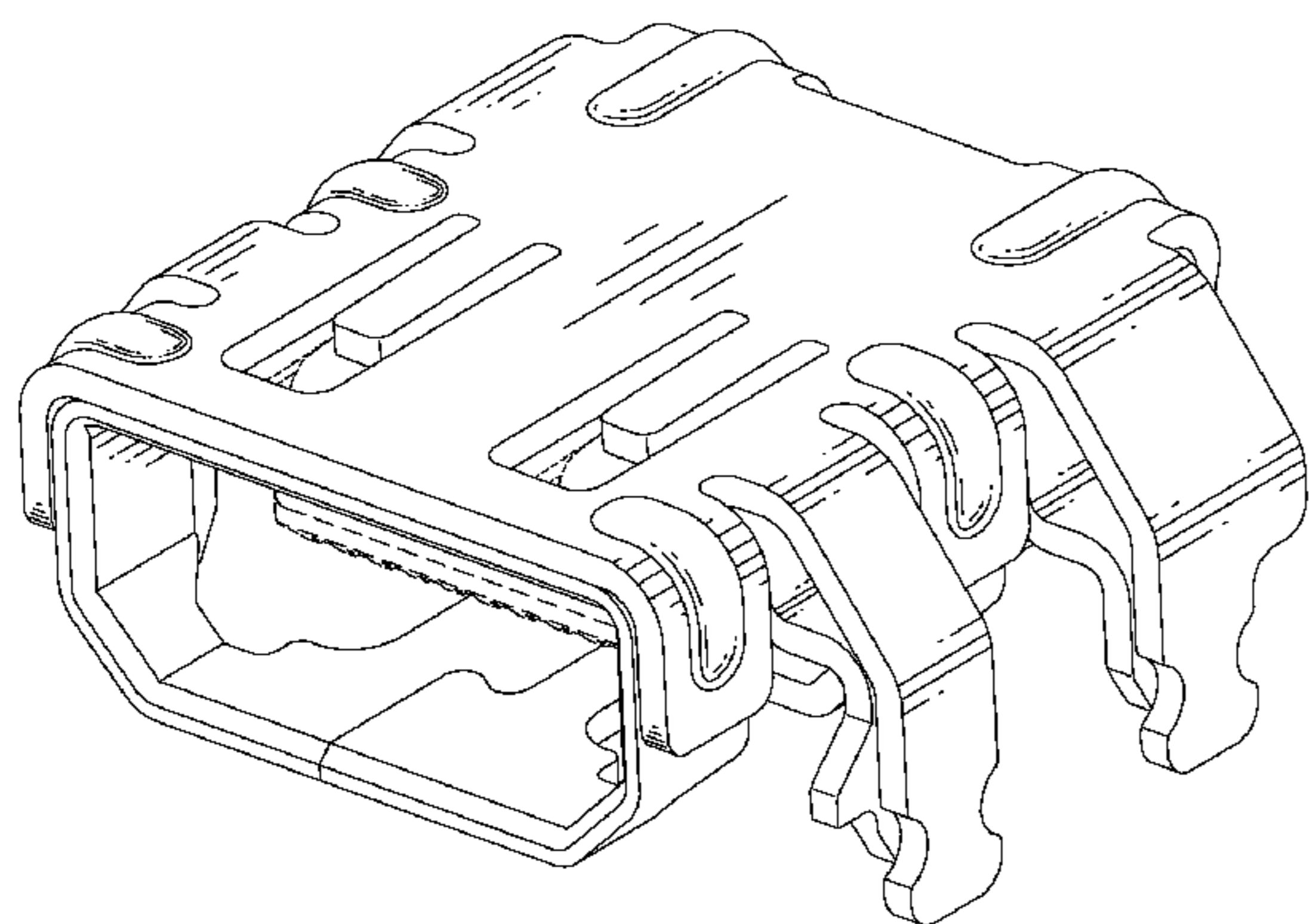
FIG. 6 is a top plan view thereof;

FIG. 7 is a bottom plan view thereof; and,

FIG. 8 is another perspective view of the receptacle connector showing our new design.

The broken line portion of the figure drawings is included to show unclaimed subject matter only and forms no part of the claimed design.

**1 Claim, 8 Drawing Sheets**



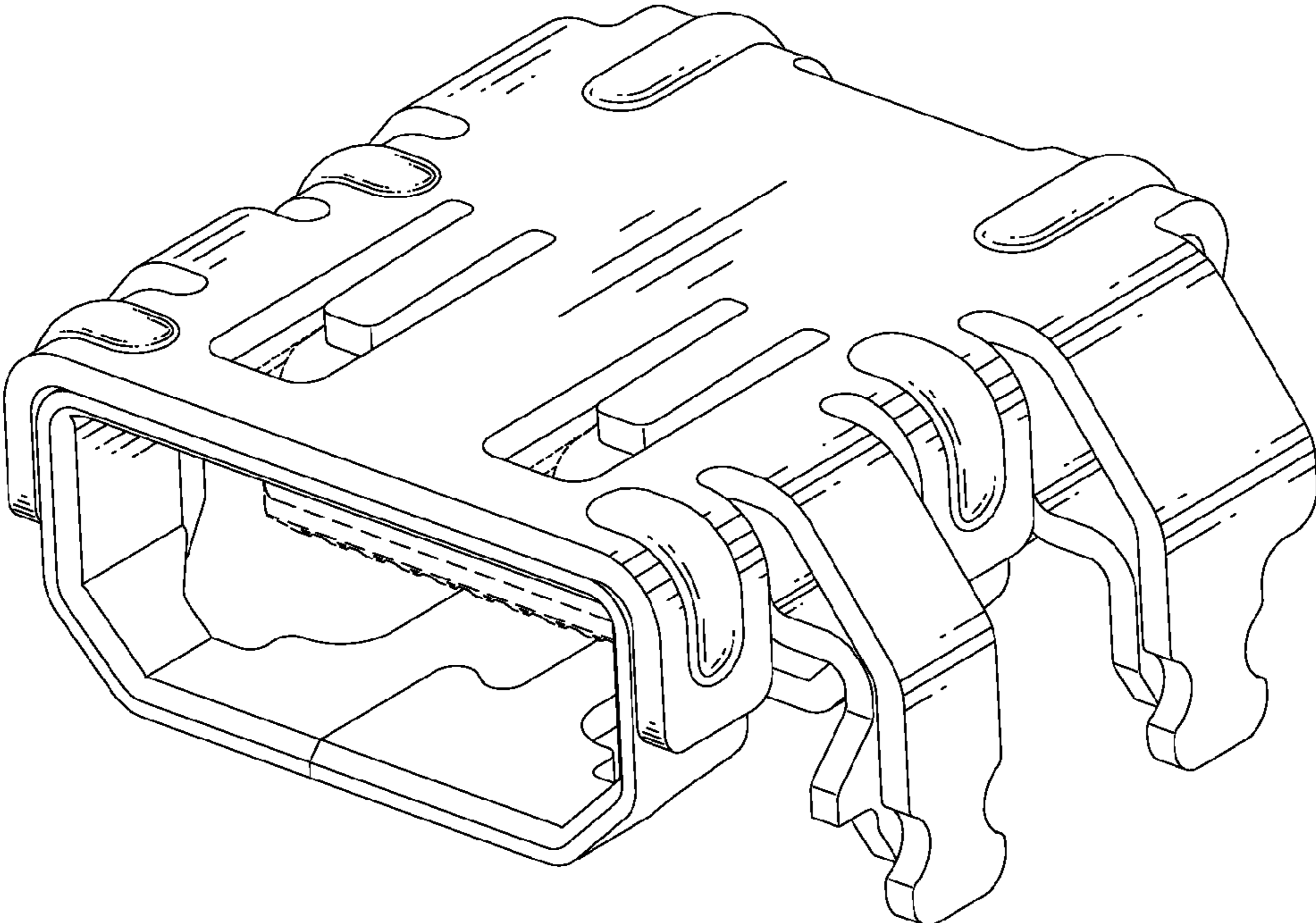


FIG. 1

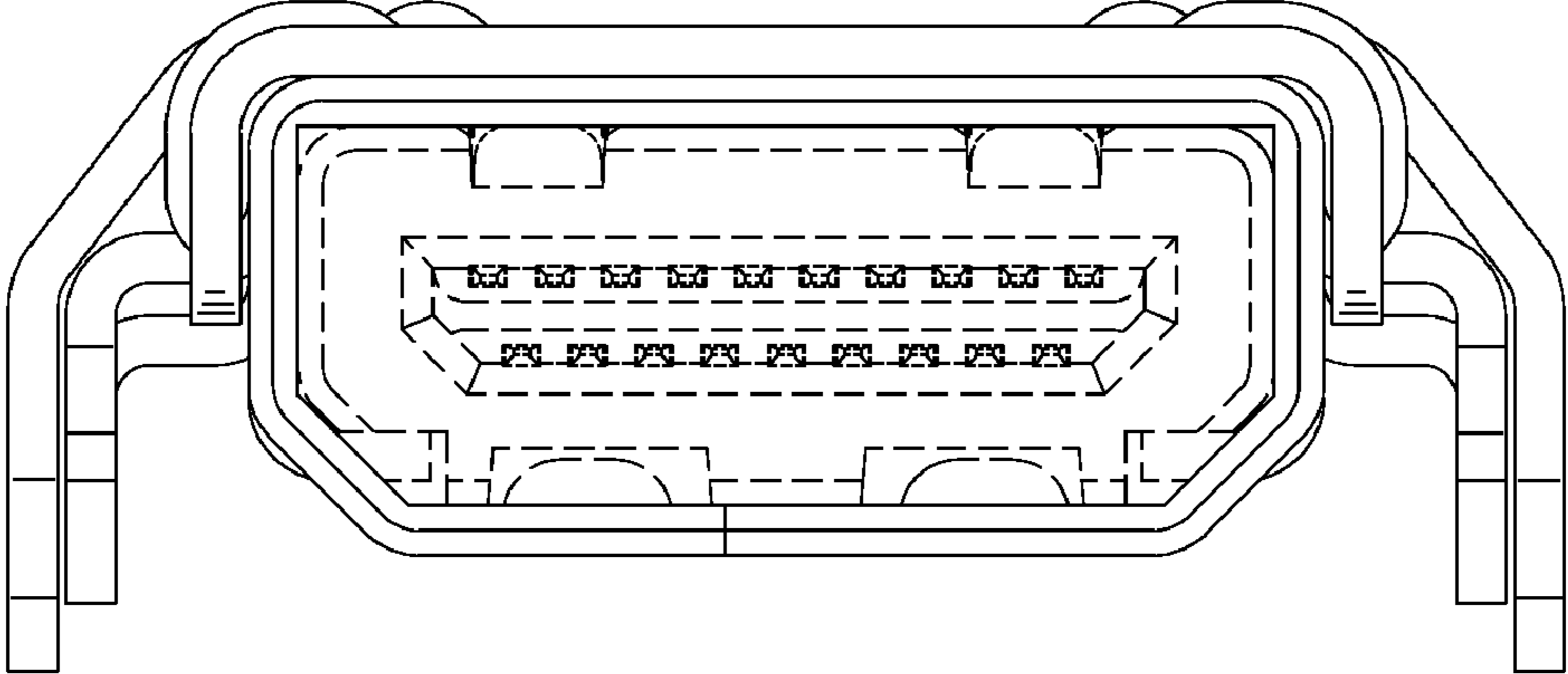


FIG. 2

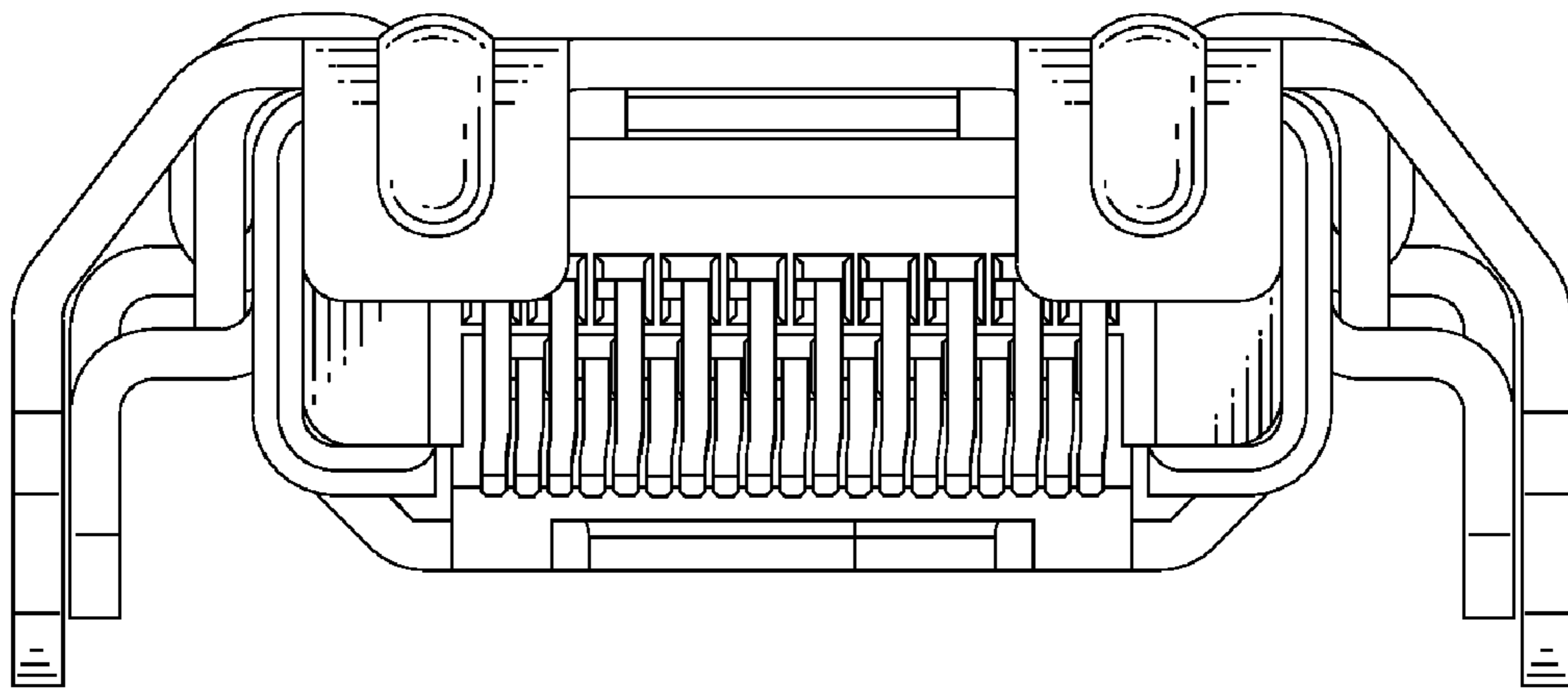


FIG. 3

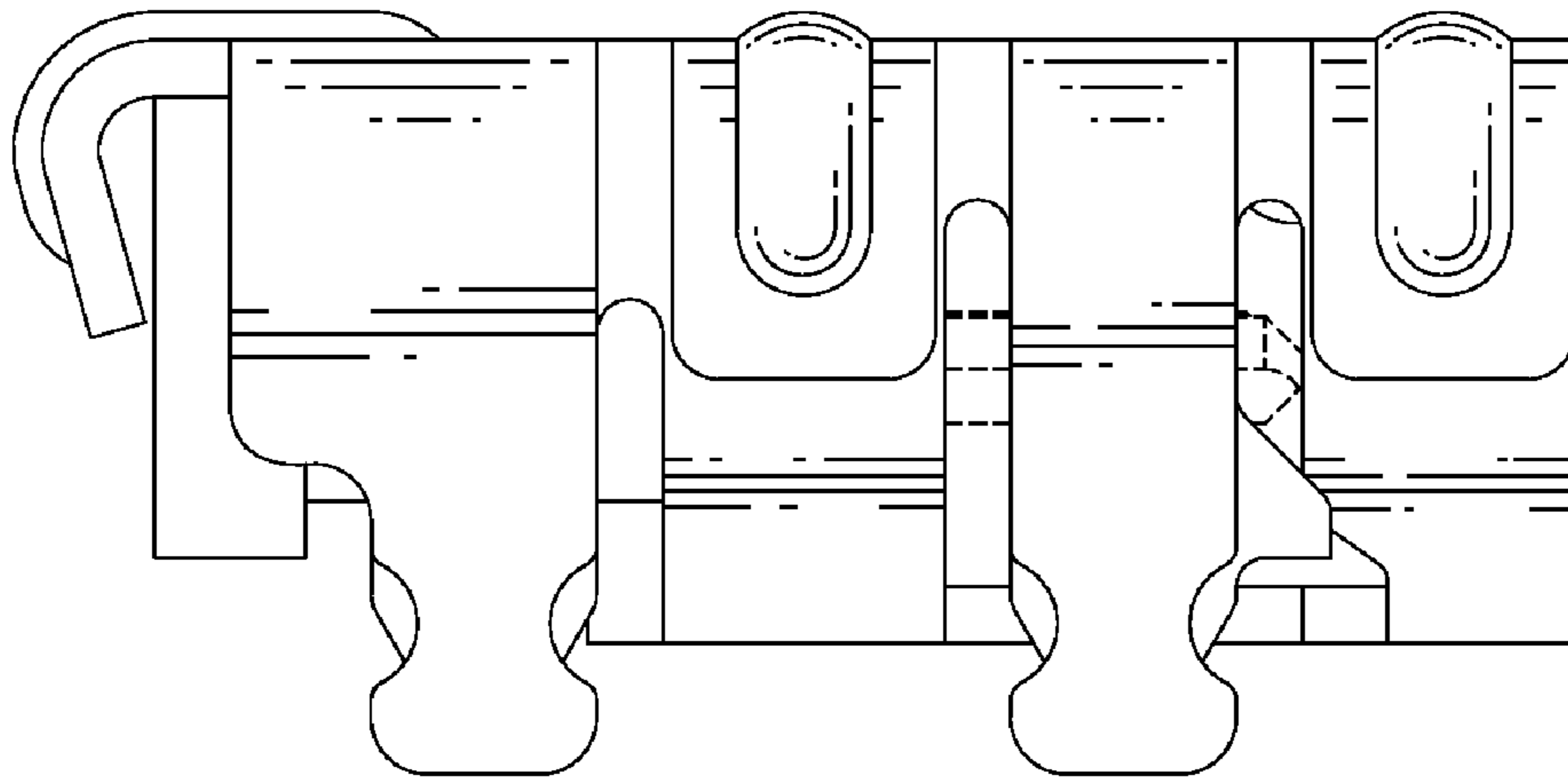


FIG. 4

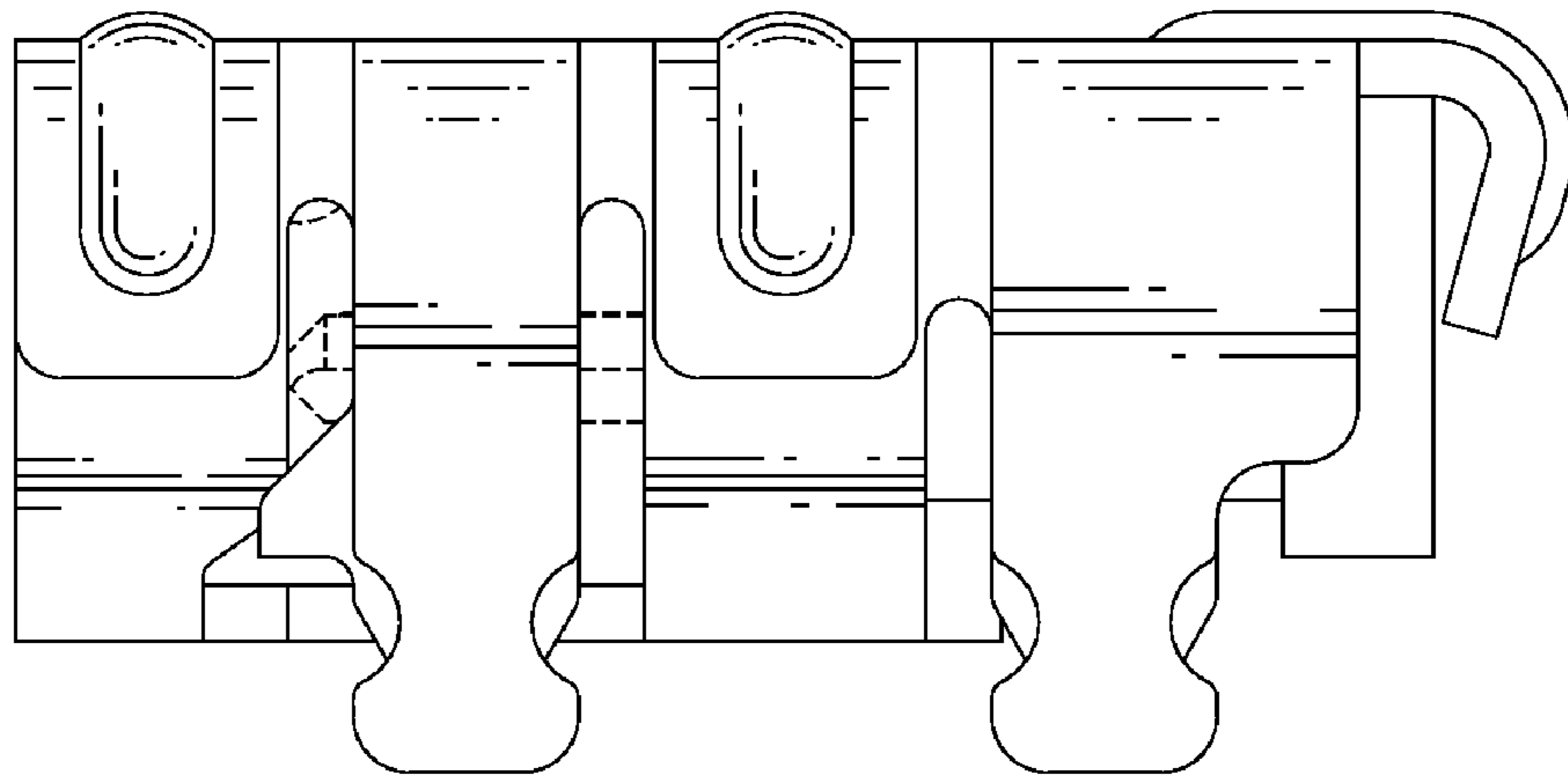


FIG. 5

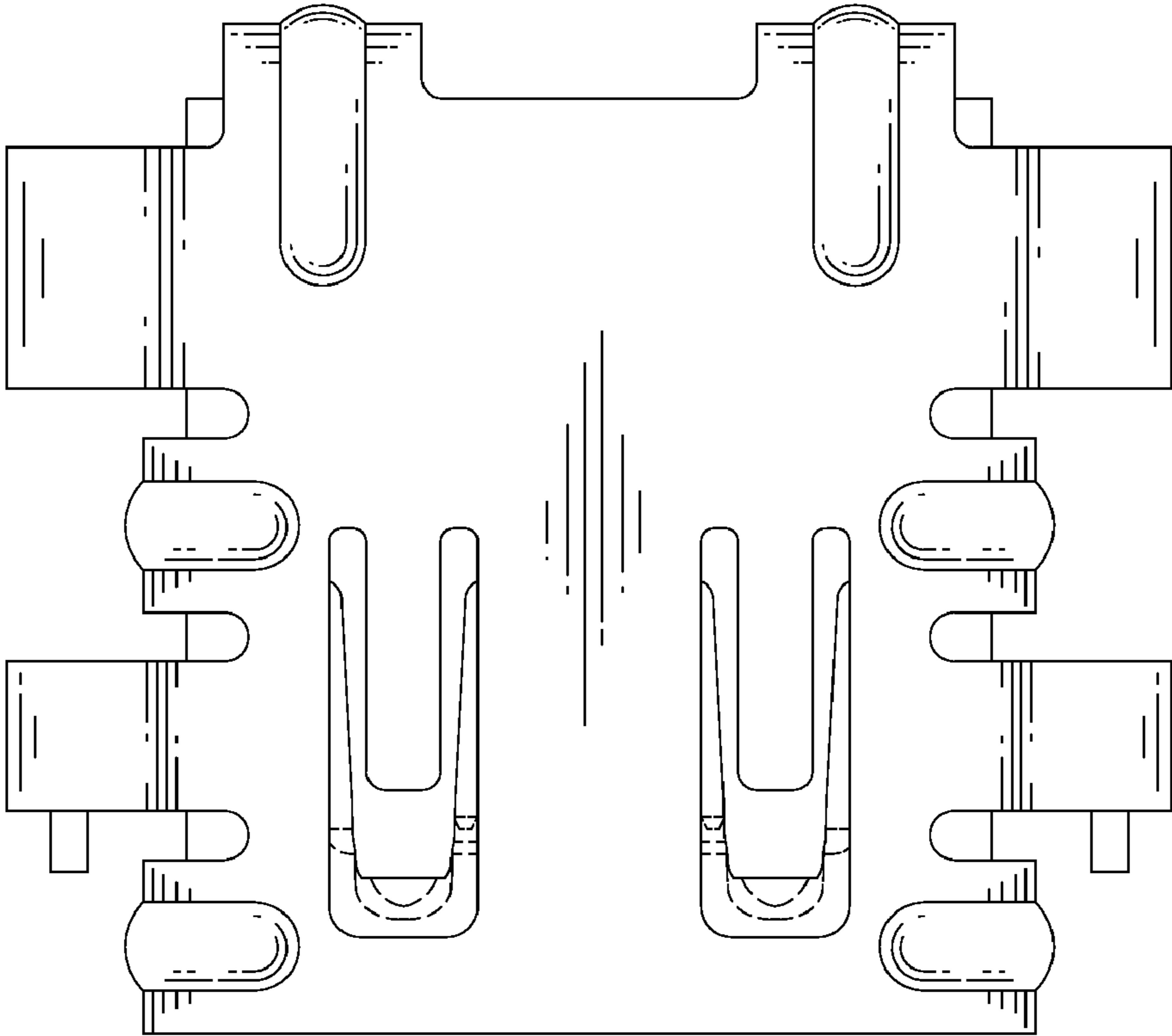


FIG. 6

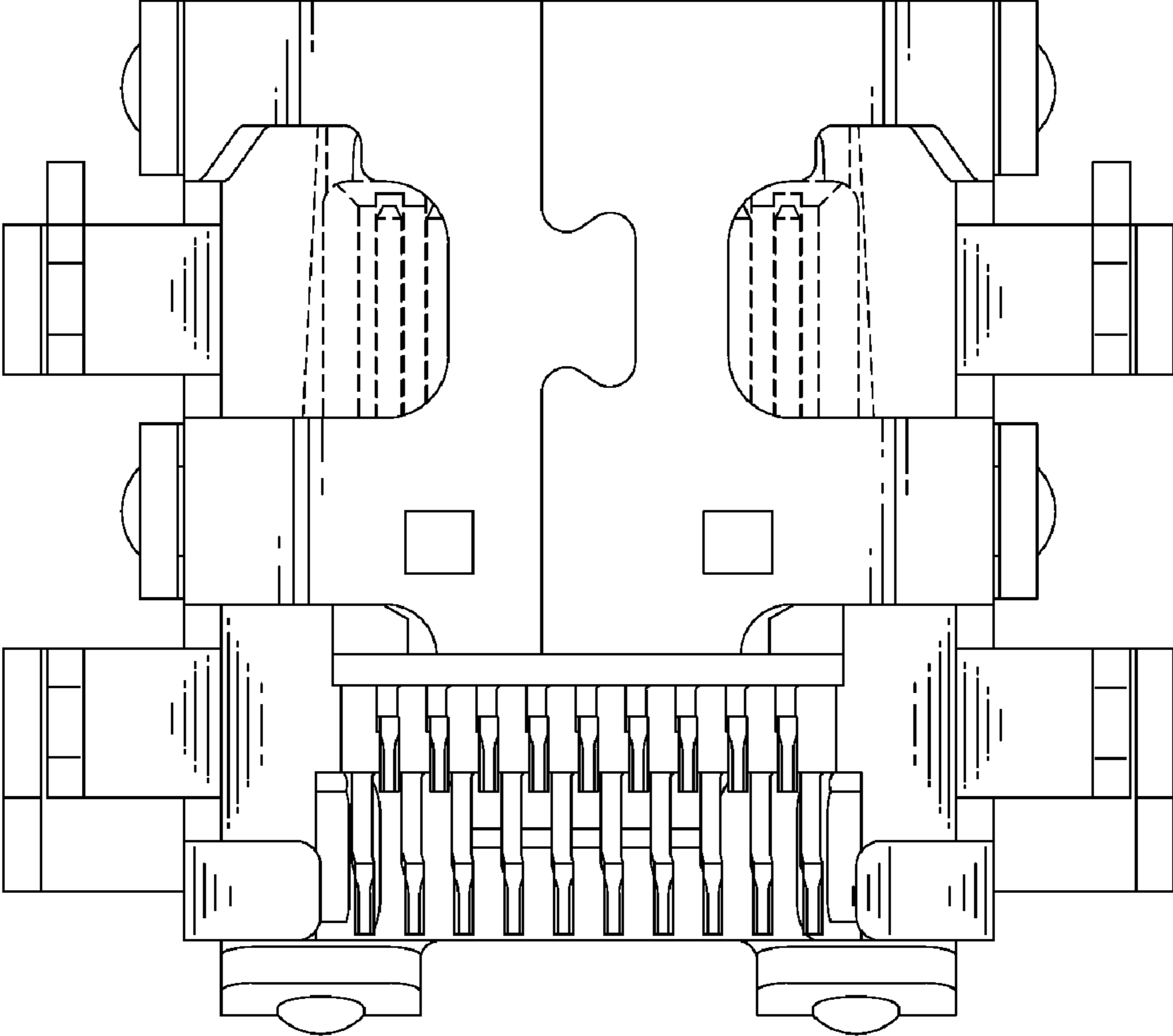


FIG. 7



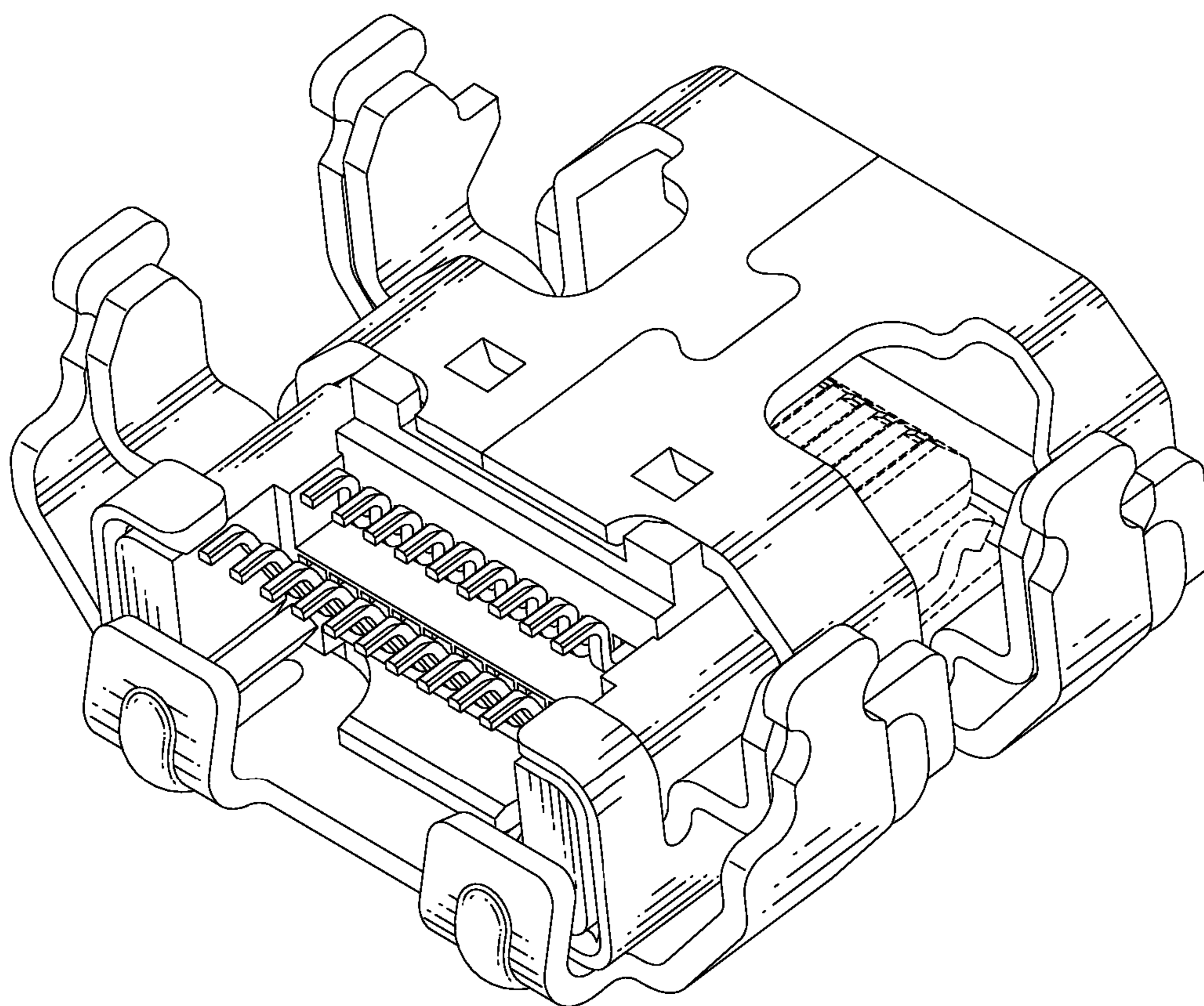


FIG. 8