



US00D641704S

(12) **United States Design Patent**
Lee et al.

(10) **Patent No.:** **US D641,704 S**
(45) **Date of Patent:** **** Jul. 19, 2011**

(54) **USB CONNECTOR**

(75) Inventors: **Gang Lee**, Shanghai (CN); **Chih Hsieh Chang**, Taipei (TW); **Huibin Li**, Shanghai (CN)

(73) Assignees: **Tyco Electronics (Shanghai) Co. Ltd.**, Shanghai (CN); **Tyco Electronics Holdings (Bermuda) No. 7 Limited**, Pembroke BM (BM)

(**) Term: **14 Years**

(21) Appl. No.: **29/369,657**

(22) Filed: **Sep. 10, 2010**

(30) **Foreign Application Priority Data**

Mar. 10, 2010 (CN) 2010 3 0129543

(51) **LOC (9) Cl.** **13-03**

(52) **U.S. Cl.** **D13/147**

(58) **Field of Classification Search** D13/147,
D13/154, 184; 439/476.1, 483, 527, 533,
439/607.01, 607.04, 607.05, 607.17, 607.25,
439/607.34, 607.41, 607.53, 892, 894

See application file for complete search history.

(56) **References Cited**

U.S. PATENT DOCUMENTS

D406,817	S	*	3/1999	Wu	D13/147
6,688,909	B1		2/2004	Espenshade et al.		
D520,953	S	*	5/2006	Moriwake et al.	D13/147
D614,579	S	*	4/2010	Wang et al.	D13/147
D619,096	S	*	7/2010	Masumoto et al.	D13/147
2008/0057786	A1	*	3/2008	Gu et al.	439/607

* cited by examiner

Primary Examiner — Daniel Bui

(74) *Attorney, Agent, or Firm* — Barley Snyder LLC

(57) **CLAIM**

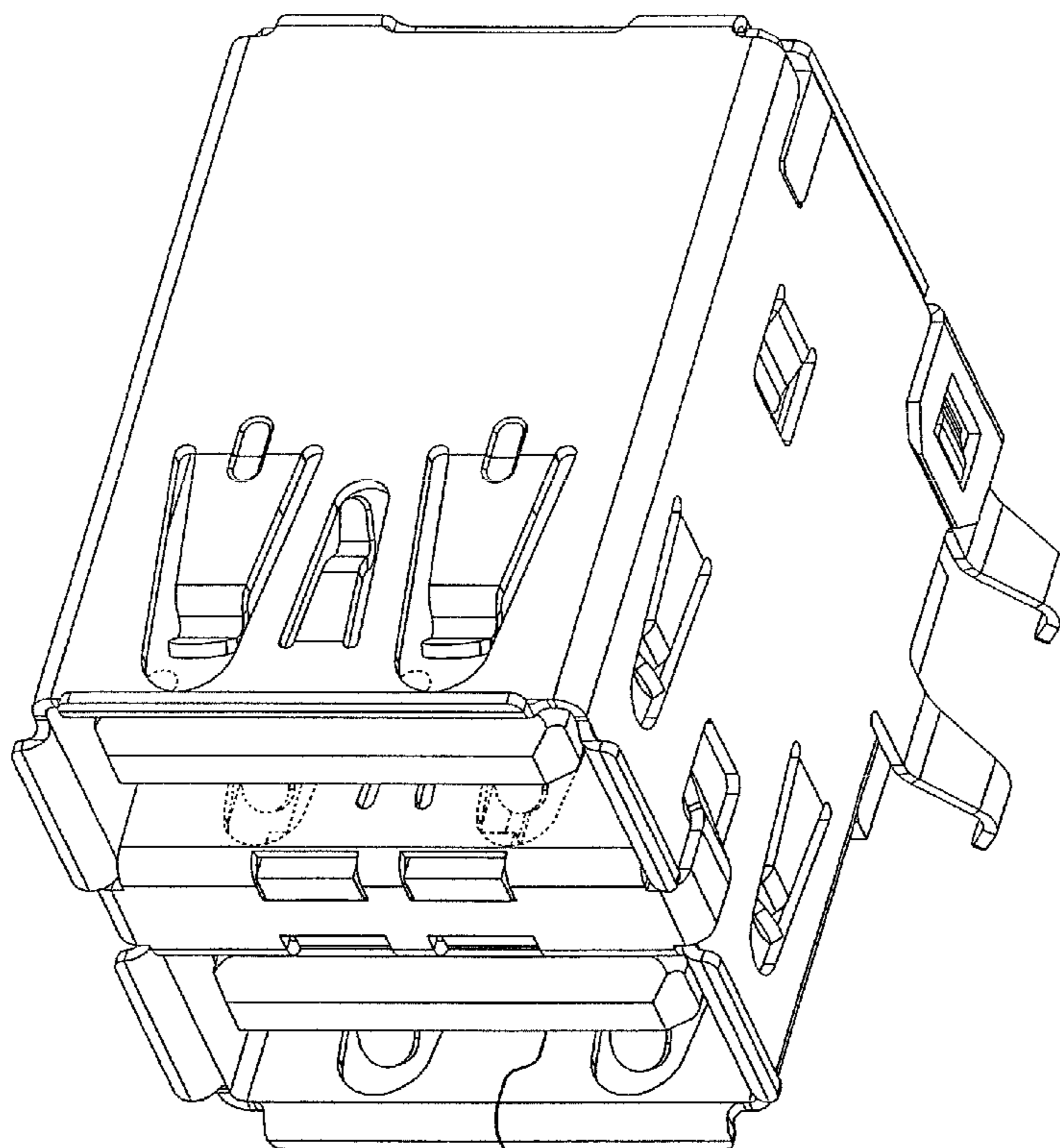
The ornamental design for a USB connector, as shown and described.

DESCRIPTION

FIG. 1 is a top, front, and right side prospective view of a USB connector, showing our new design; FIG. 2 is a front elevation view thereof; FIG. 3 is a rear elevation view thereof; FIG. 4 is a left side elevation view thereof; FIG. 5 is a right side elevation view thereof; FIG. 6 is a top plan view thereof; and, FIG. 7 is a bottom plan view thereof.

The broken lines shown in the drawings are included for the purpose of illustrating environmental structure and form no part of the claimed design.

1 Claim, 7 Drawing Sheets



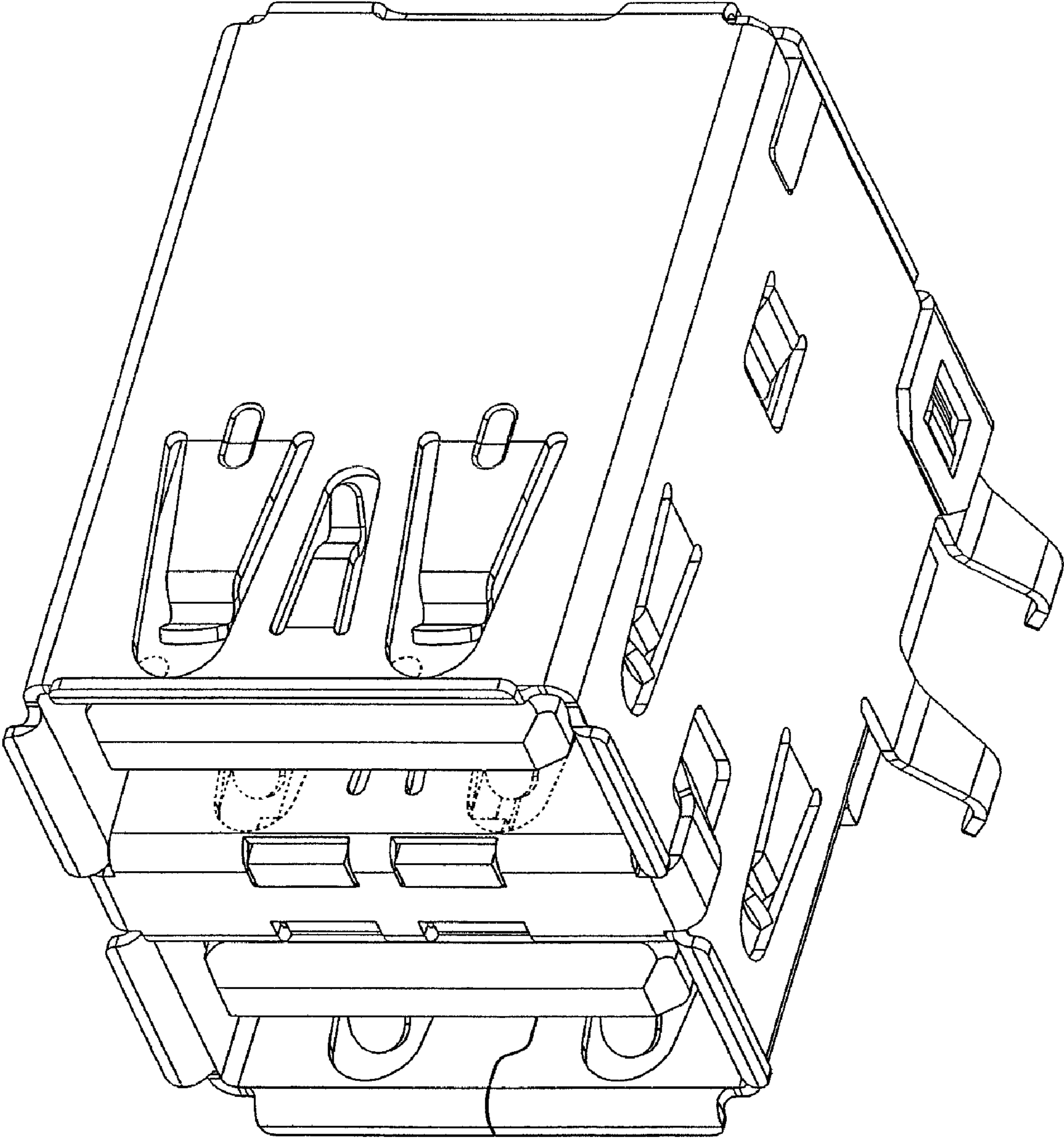


FIG. 1

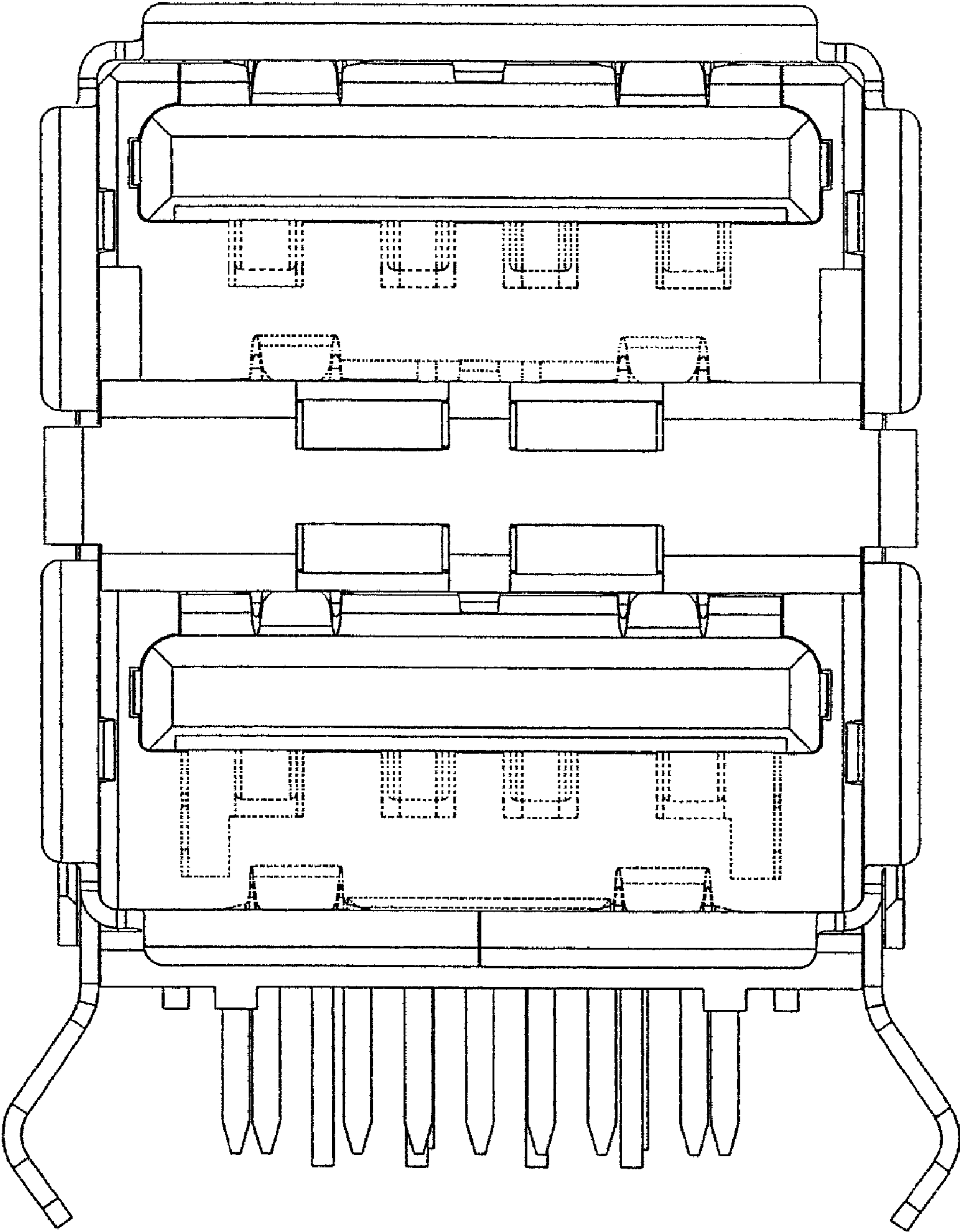


FIG. 2

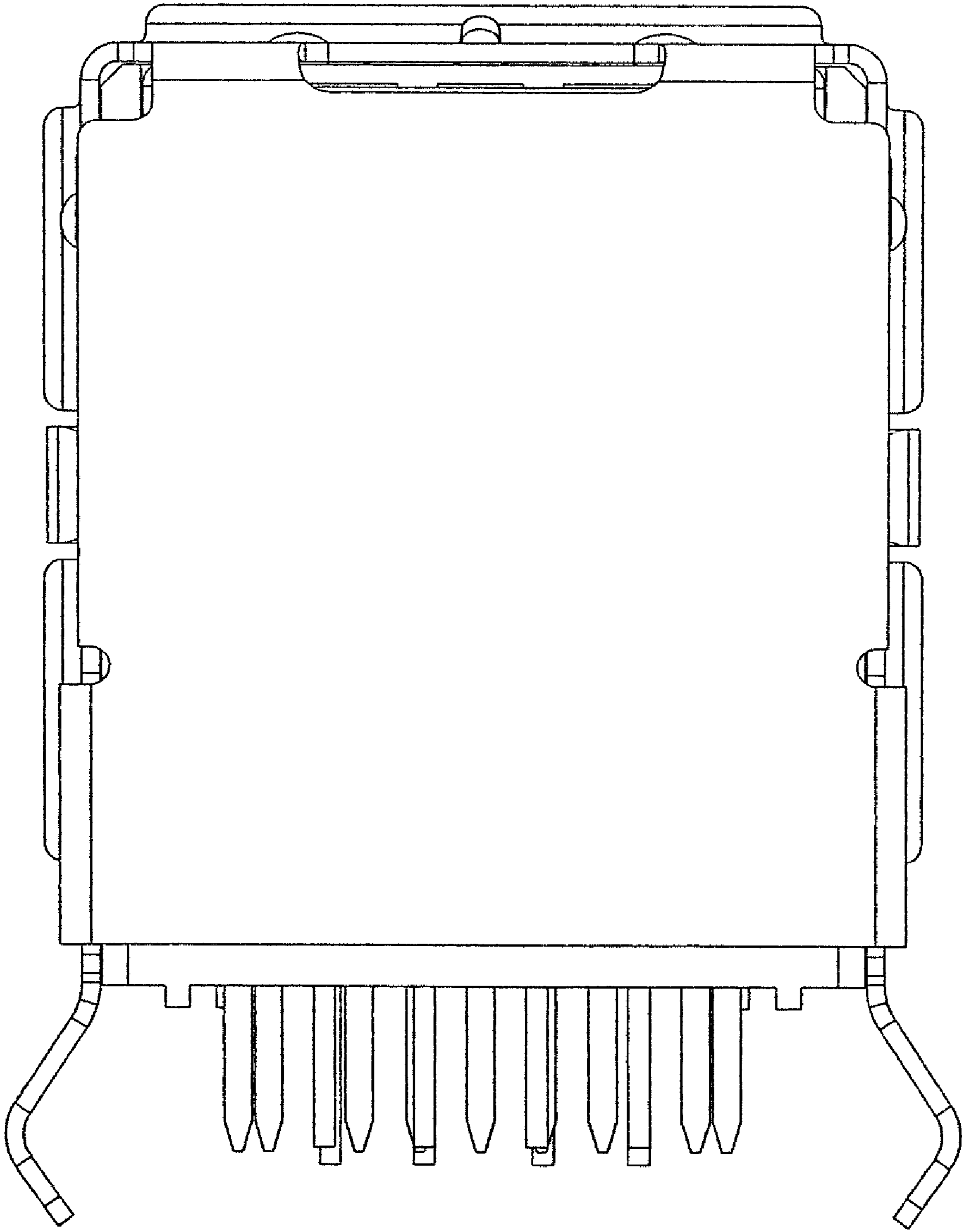


FIG. 3

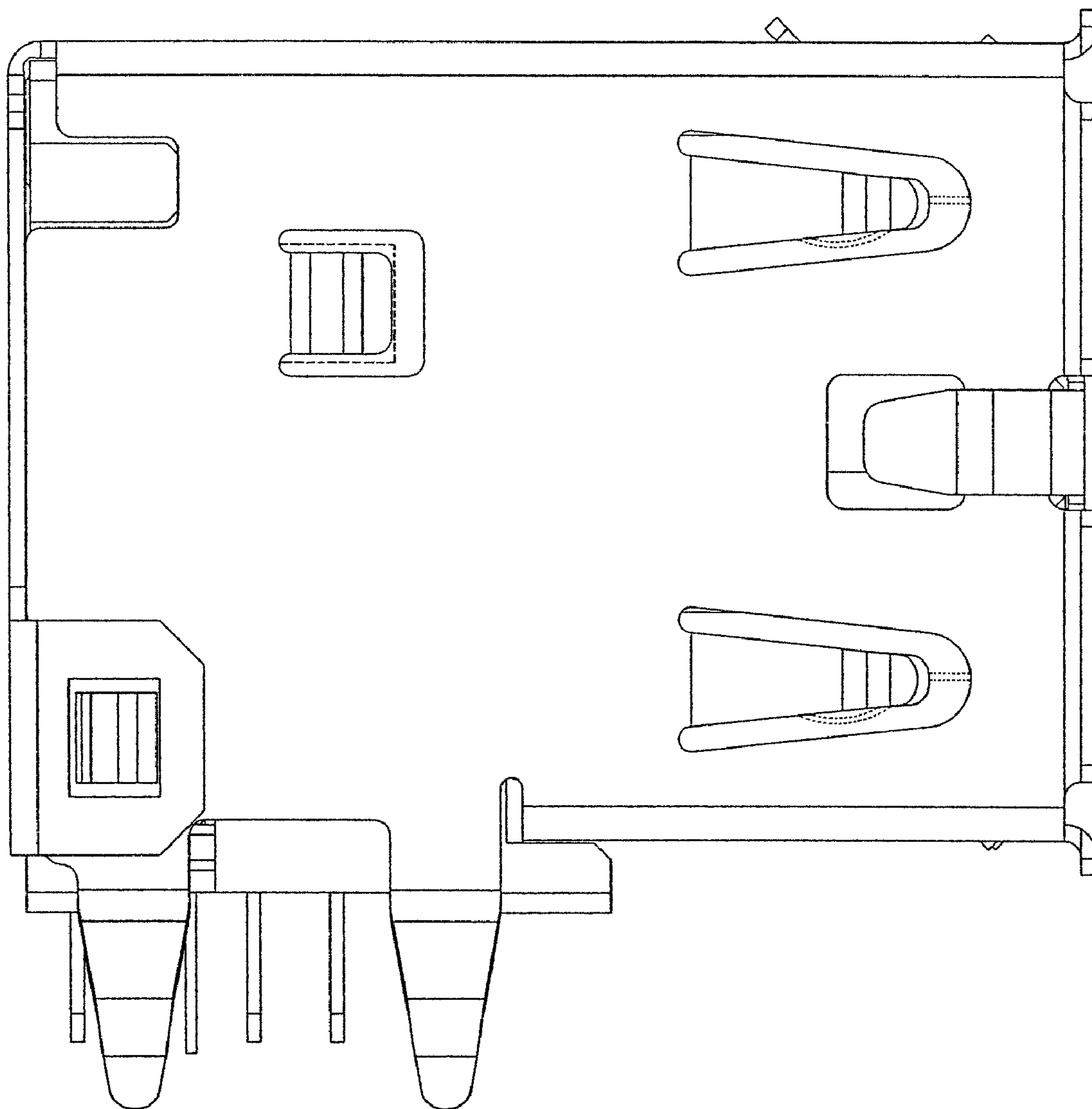


FIG. 4

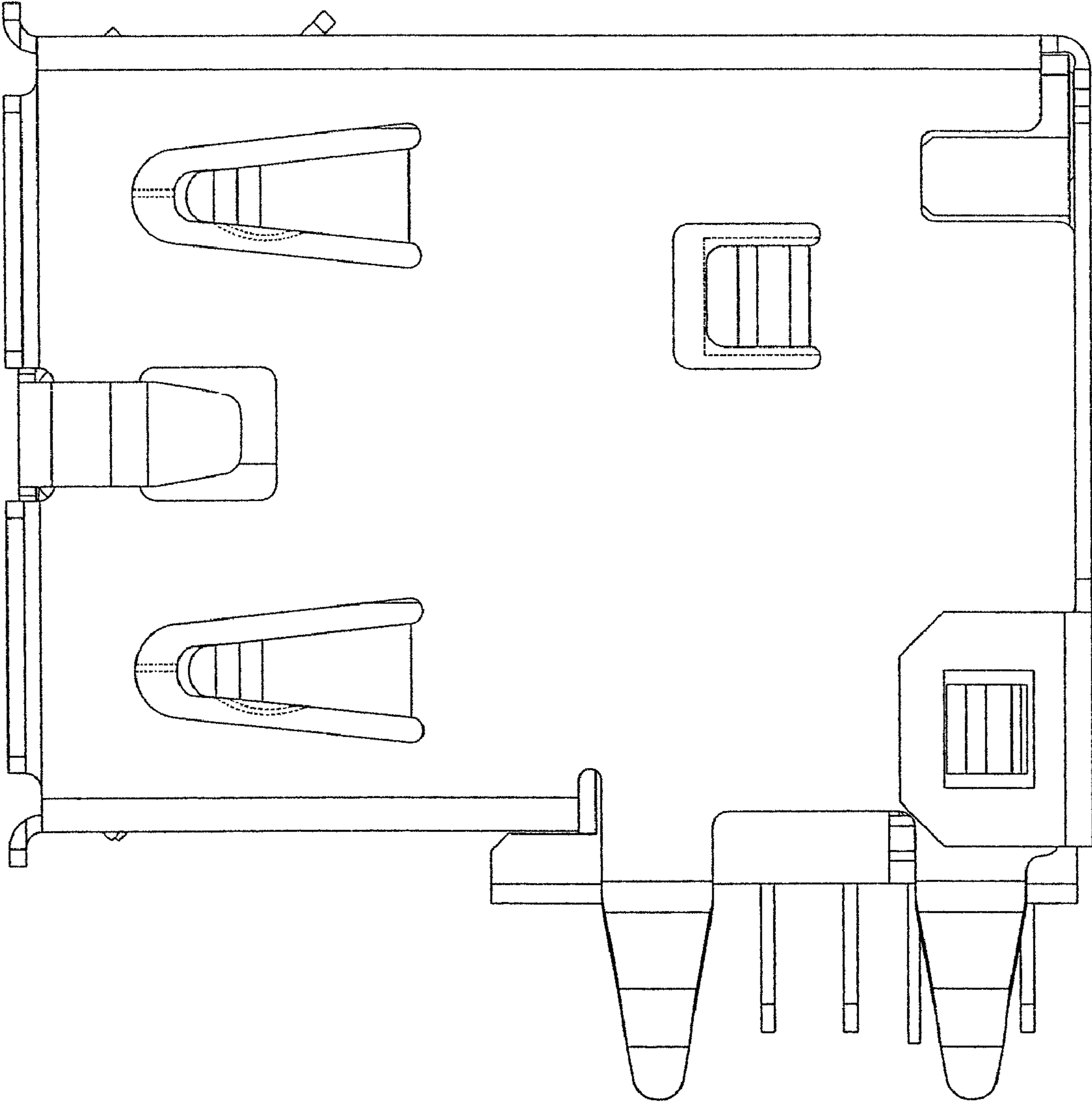


FIG. 5

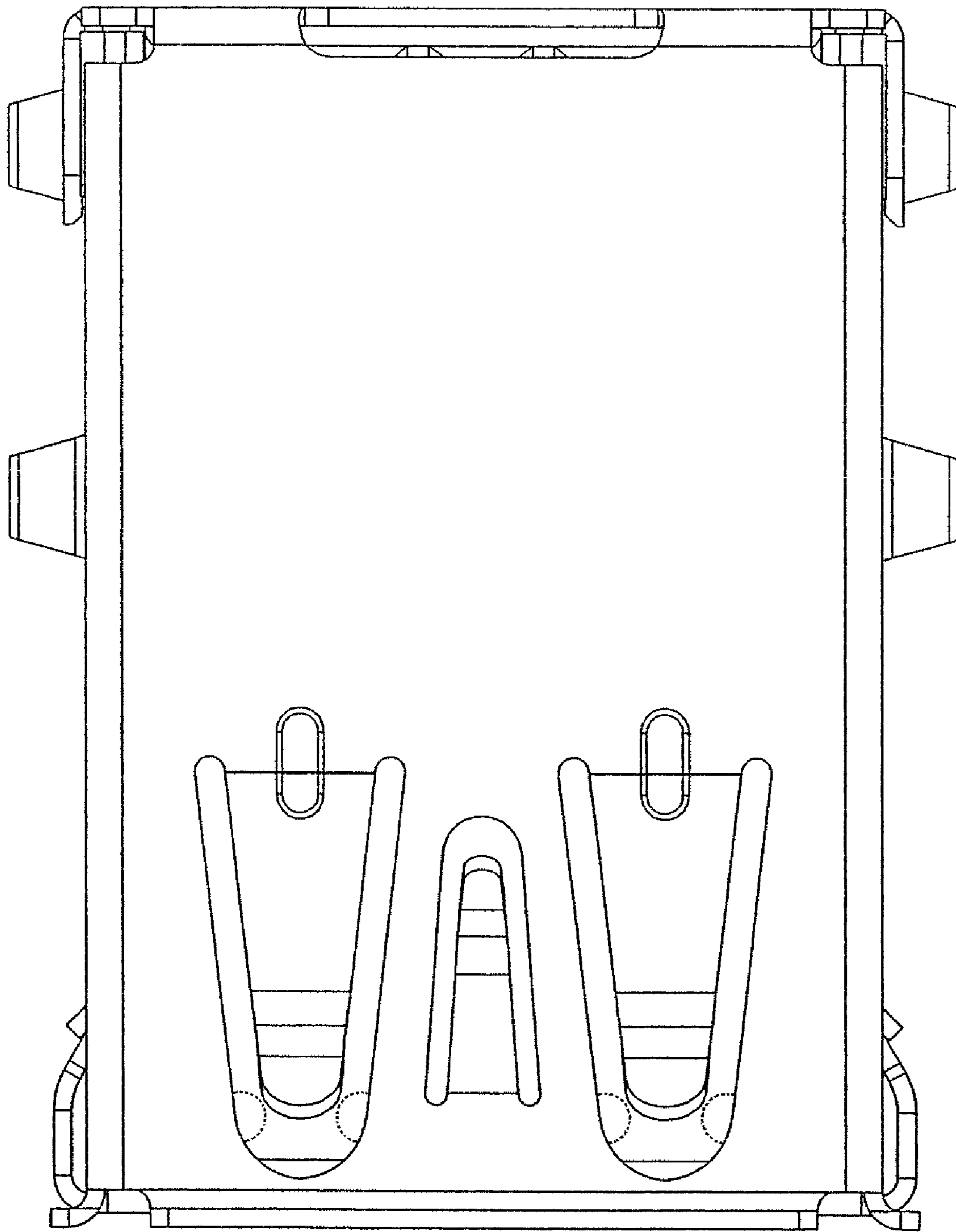


FIG. 6

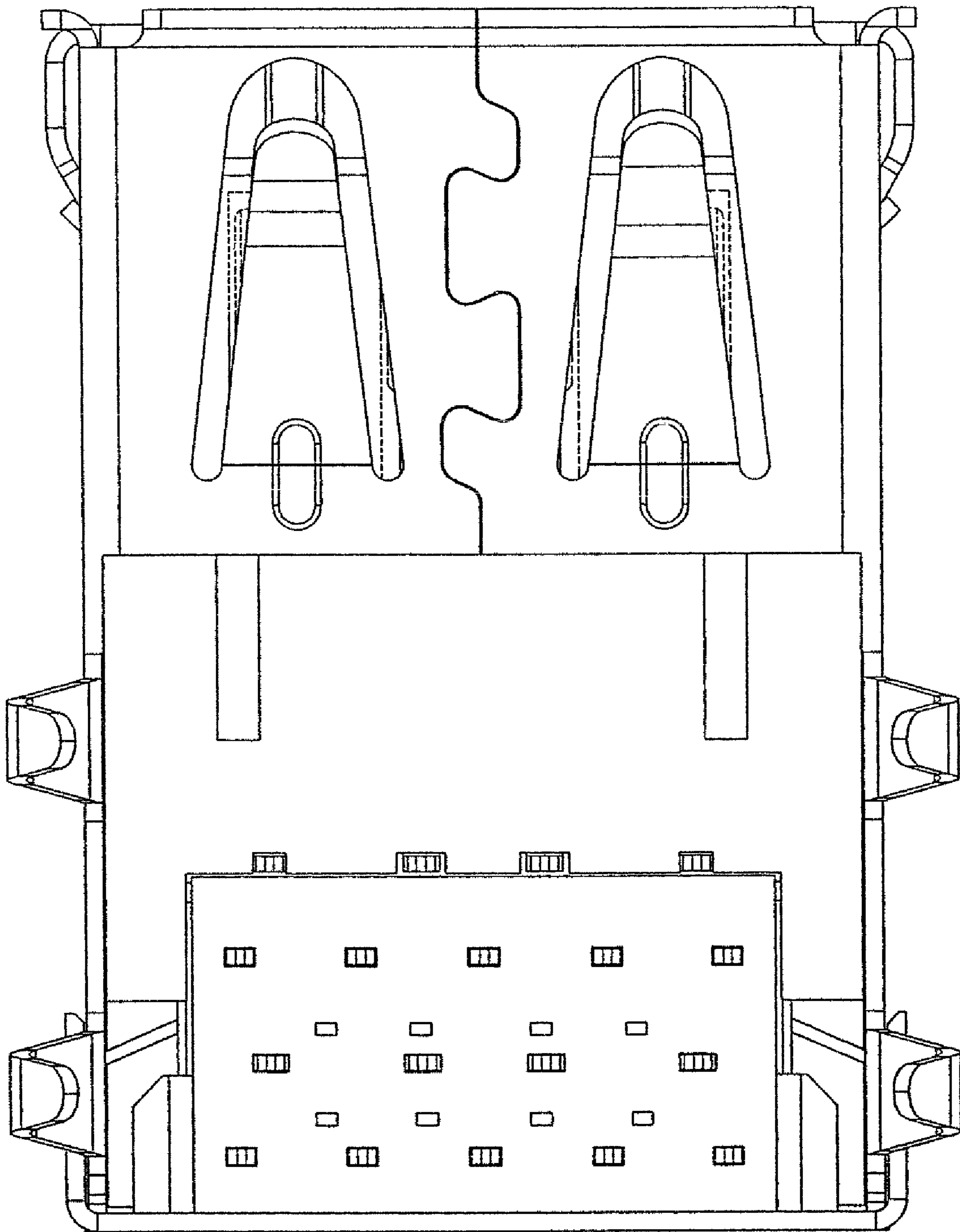


FIG. 7