



US00D641703S

(12) **United States Design Patent**  
**Severing**

(10) **Patent No.:** **US D641,703 S**  
(45) **Date of Patent:** **\*\* Jul. 19, 2011**

(54) **HORIZONTAL CONNECTION SPRING-CAGE  
PCB TERMINAL BLOCK**

(75) Inventor: **Sven Severing**, Bielefeld (DE)

(73) Assignee: **Phoenix Contact GmbH & Co. KG**,  
Blomberg (DE)

(\*\*) Term: **14 Years**

(21) Appl. No.: **29/367,742**

(22) Filed: **Aug. 12, 2010**

**Related U.S. Application Data**

(62) Division of application No. 29/330,979, filed on Jan. 16, 2009, now Pat. No. Des. 624,503.

(30) **Foreign Application Priority Data**

Jul. 16, 2008 (EM) ..... 000970777

(51) **LOC (9) Cl.** ..... **13-03**

(52) **U.S. Cl.** ..... **D13/146**

(58) **Field of Classification Search** ..... D13/133,  
D13/146-147, 154, 184; 439/607.01, 607.04,  
439/607.05, 607.17, 607.25, 607.34, 607.41,  
439/607.53, 663, 680, 681

See application file for complete search history.

(56) **References Cited**

U.S. PATENT DOCUMENTS

D360,620 S 7/1995 Gehrs et al.  
D461,771 S 8/2002 Zhao et al.  
D498,463 S 11/2004 Lin et al.  
D507,241 S 7/2005 Koessler

OTHER PUBLICATIONS

Co-pending U.S. Appl. No. 29/330,973, filed Jan. 16, 2009, entitled:  
"Vertical connection spring-cage PCB terminal block".  
Co-pending U.S. Appl. No. 29/369,666, filed Sep. 10, 2010, entitled:  
"Vertical connection spring-cage PCB terminal block".

*Primary Examiner* — Daniel Bui

(74) *Attorney, Agent, or Firm* — Leydig, Voit & Mayer, Ltd.

(57) **CLAIM**

The ornamental design for a horizontal connection spring-cage PCB terminal block, as shown and described.

**DESCRIPTION**

FIG. 1 is a top, front and left side perspective view of three of the horizontal connection spring-cage PCB terminal blocks in a stacked configuration;

FIG. 2 is a front elevational view thereof;

FIG. 3 is a rear elevational view thereof;

FIG. 4 is a right side elevational view thereof;

FIG. 5 is a left side elevational view thereof;

FIG. 6 is a bottom plan view thereof; and,

FIG. 7 is a top plan view thereof.

The broken line portion in the drawing views is included to show unclaimed subject matter only and forms no part of the claimed design.

**1 Claim, 7 Drawing Sheets**

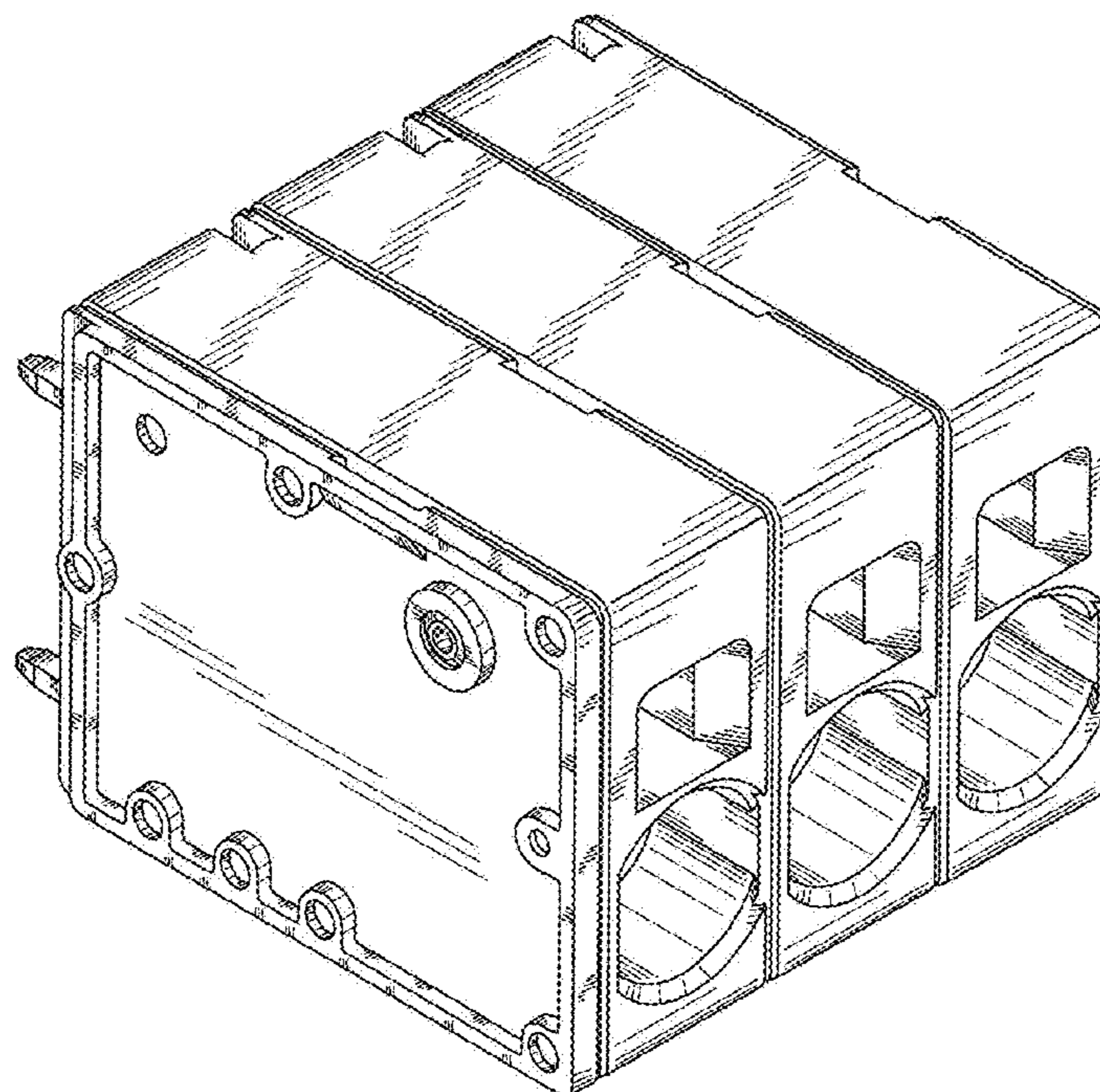


FIG. 1

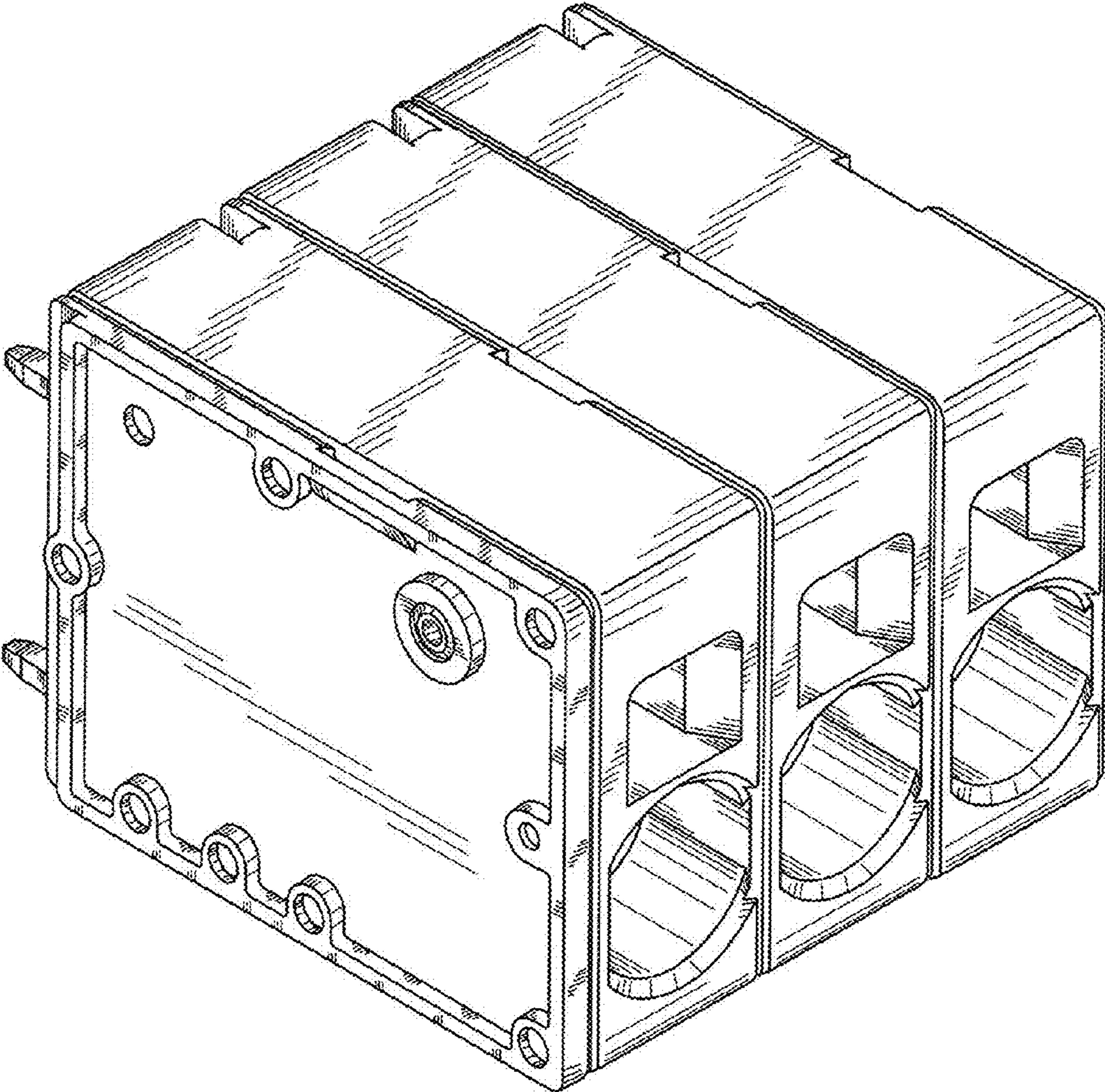


FIG. 2

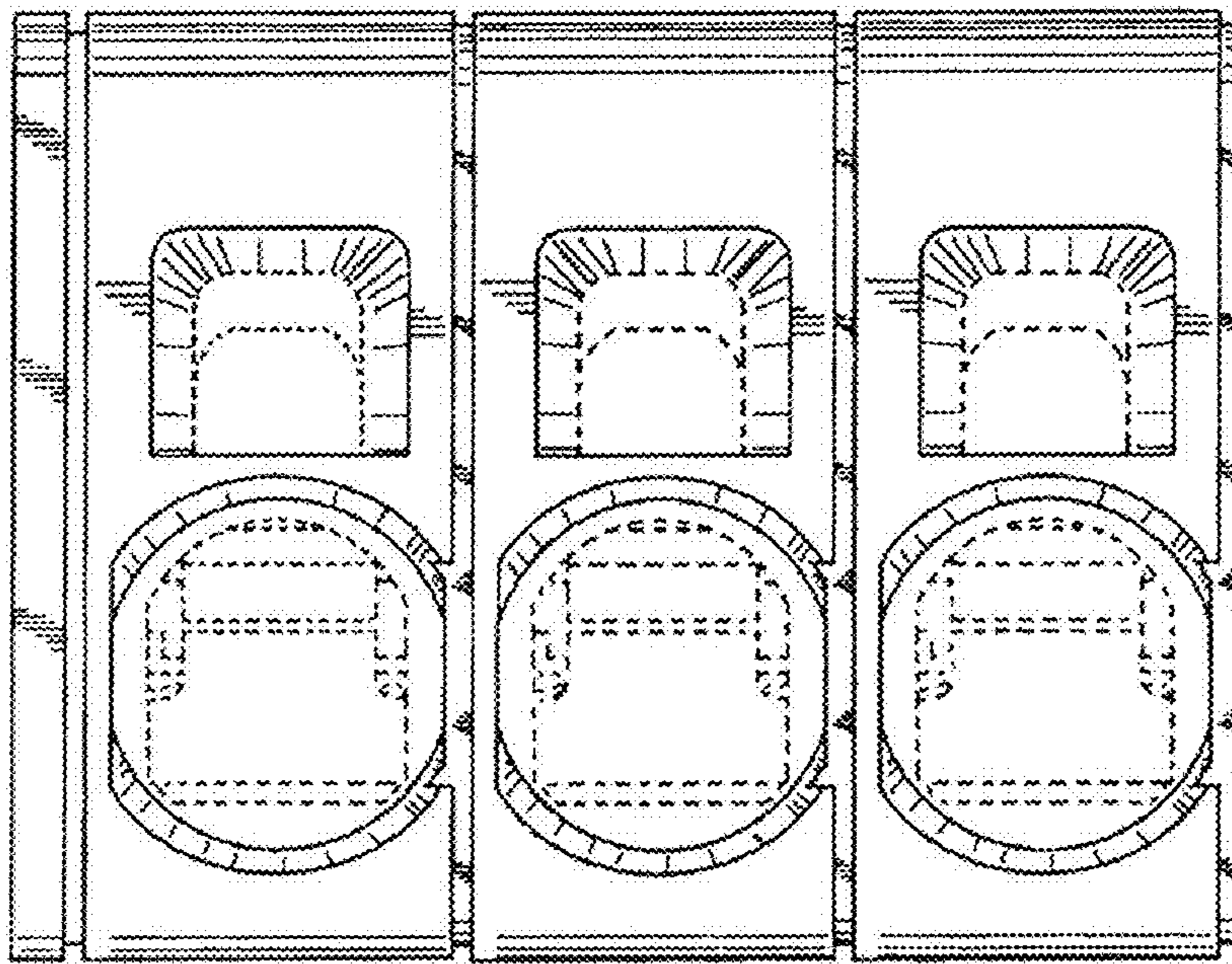


FIG. 3

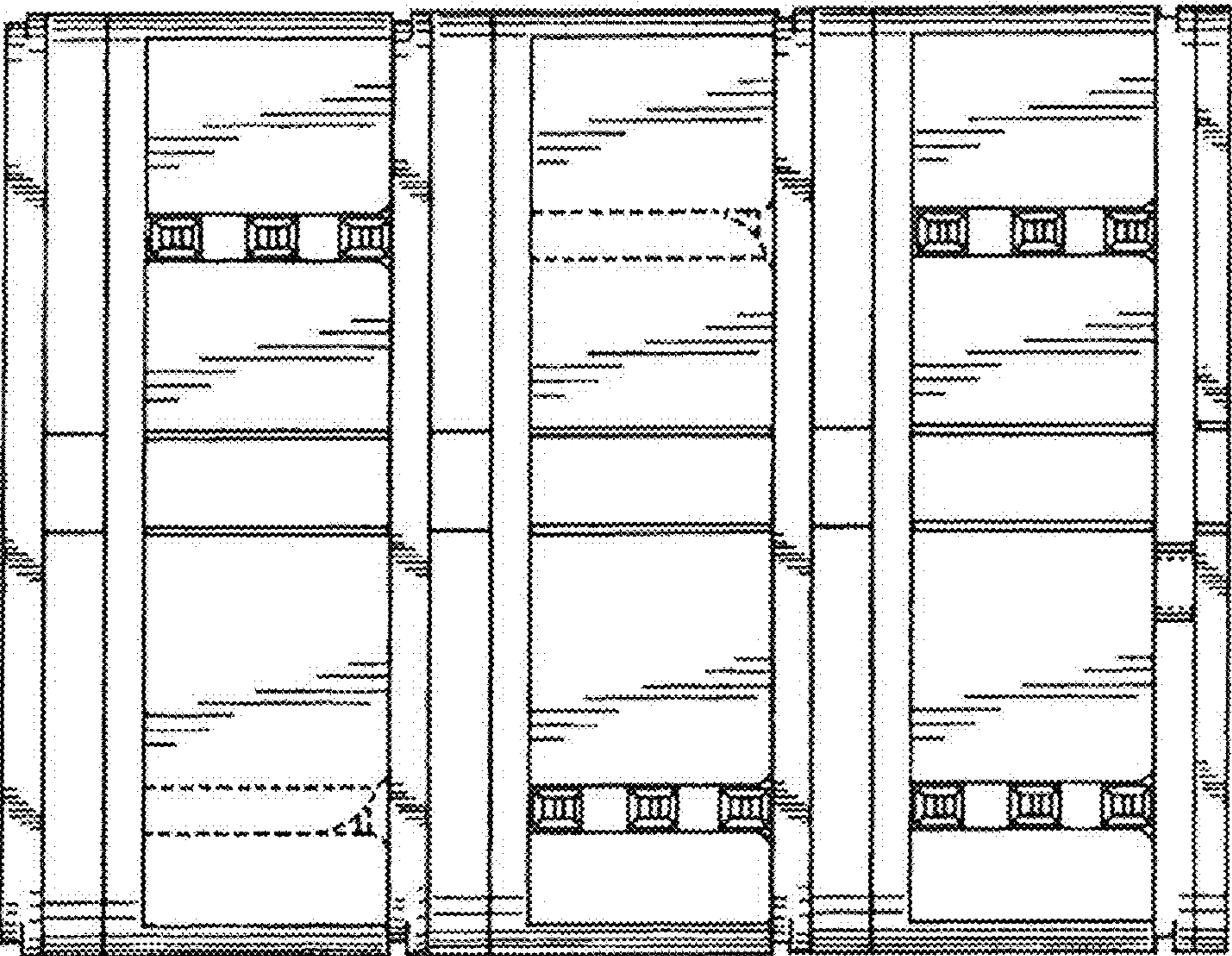


FIG. 4

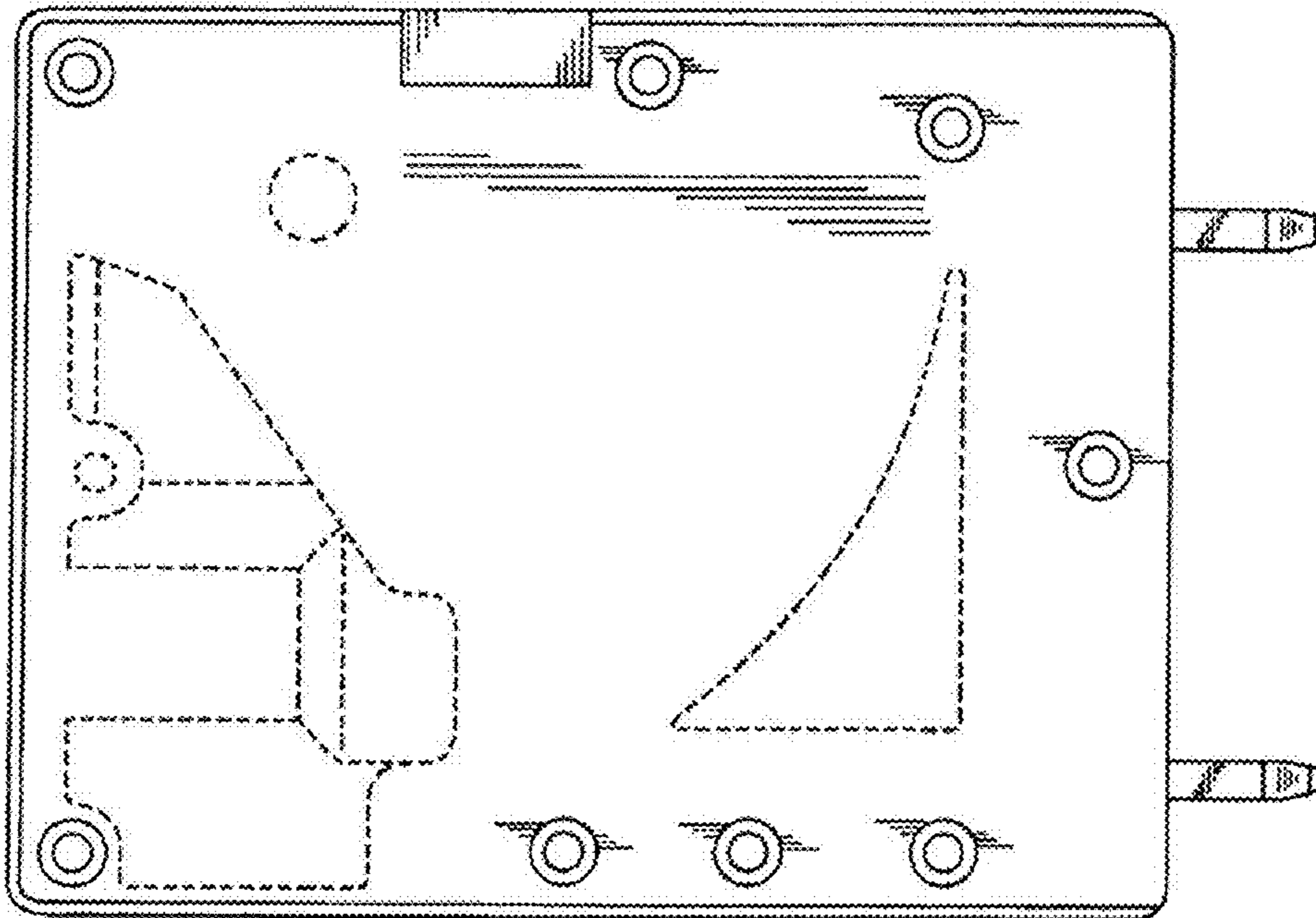


FIG. 5

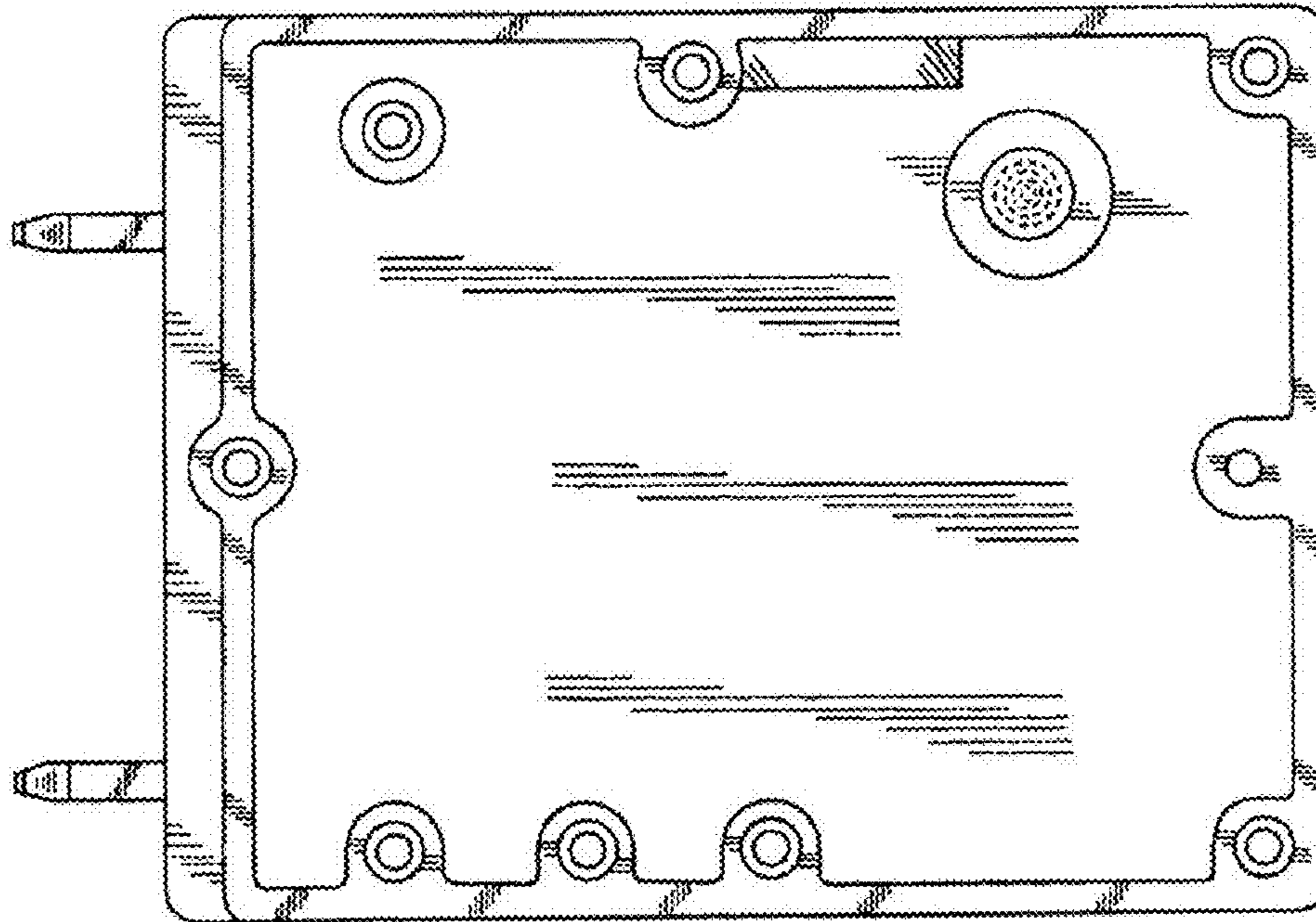
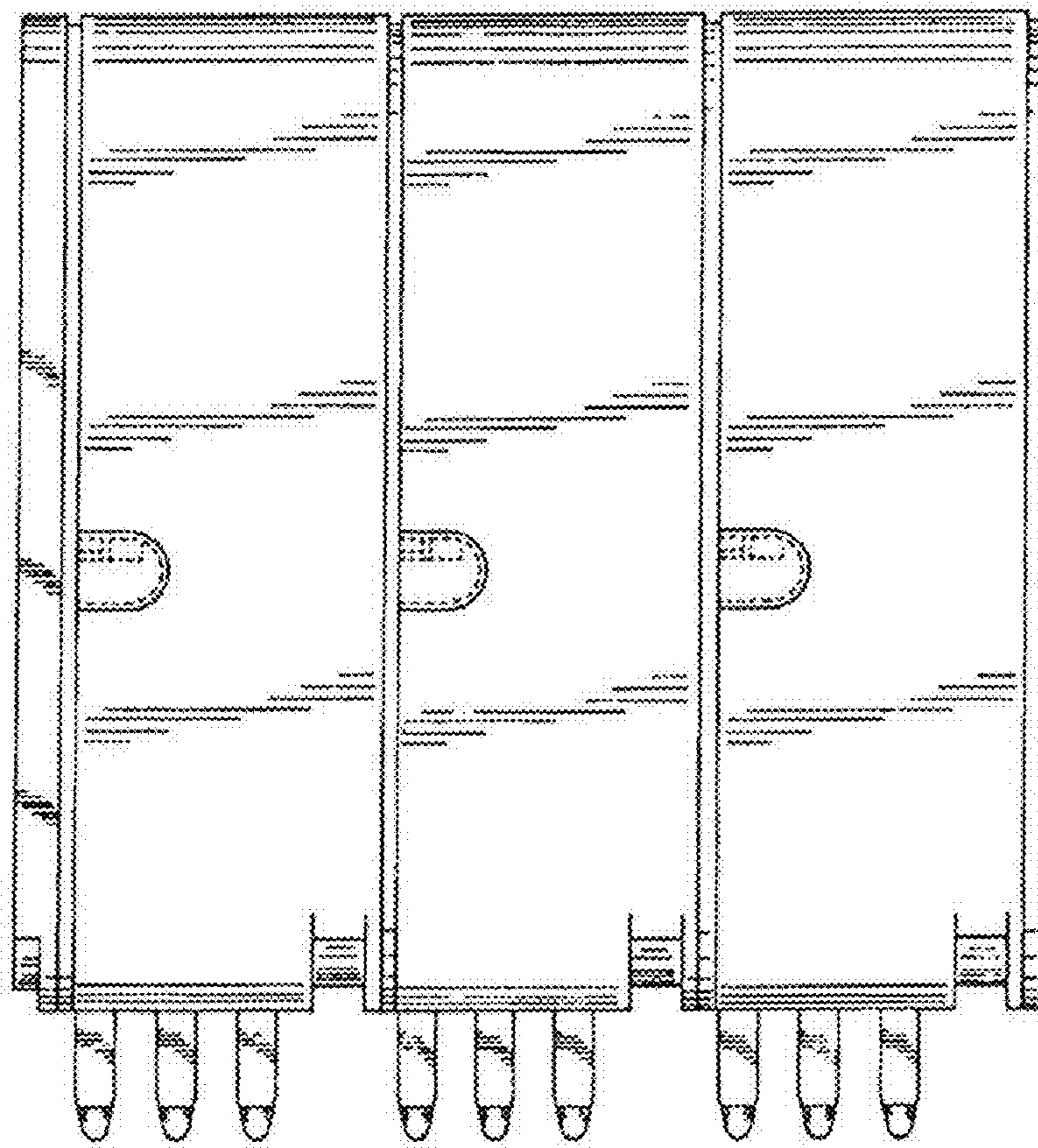


FIG. 6



**FIG. 7**

