



US00D641702S

(12) **United States Design Patent**
Chuang

(10) **Patent No.:** **US D641,702 S**

(45) **Date of Patent:** **** Jul. 19, 2011**

(54) **ELECTRIC OUTLET**

(75) Inventor: **Hui Ju Chuang**, Xindian (TW)

(73) Assignee: **Powertech Industrial Co., Ltd.**, Taipei
Hsien (TW)

(**) Term: **14 Years**

(21) Appl. No.: **29/365,188**

(22) Filed: **Jul. 6, 2010**

(30) **Foreign Application Priority Data**

May 10, 2010 (TW) 99302325

(51) **LOC (9) Cl.** **13-03**

(52) **U.S. Cl.** **D13/139.8**

(58) **Field of Classification Search** ... D13/137.1–137.4,
D13/139.1–139.8, 160, 162, 164, 178, 184,
D13/199; 361/118, 119; 439/106–108, 188,
439/535, 650–654

See application file for complete search history.

(56) **References Cited**

U.S. PATENT DOCUMENTS

D354,731 S * 1/1995 Lee D13/139.8
D380,733 S * 7/1997 Parshad D13/139.6

D382,855 S * 8/1997 Salmond et al. D13/139.8
D390,190 S * 2/1998 Stekelenburg D13/139.7
D409,978 S * 5/1999 Stekelenburg D13/139.6
D440,540 S * 4/2001 Loh D13/139.8
D443,250 S * 6/2001 Lee D13/139.8
D443,591 S * 6/2001 Tong et al. D13/139.8
D467,875 S * 12/2002 Barger et al. D13/139.8
D532,751 S * 11/2006 Chesebro et al. D13/139.6
D537,040 S * 2/2007 Chesebro et al. D13/139.8
D549,176 S * 8/2007 Kent et al. D13/139.6
D564,451 S * 3/2008 Fornino D13/139.8

* cited by examiner

Primary Examiner — Rosemary K Tarca

(74) *Attorney, Agent, or Firm* — Kile Goekjian Reed &
McManus PLLC

(57) **CLAIM**

The ornamental design for an electric outlet, as shown and described.

DESCRIPTION

FIG. 1 is a perspective view of an electric outlet showing my design;

FIG. 2 is a front view thereof;

FIG. 3 is a rear view thereof;

FIG. 4 is a left side view thereof;

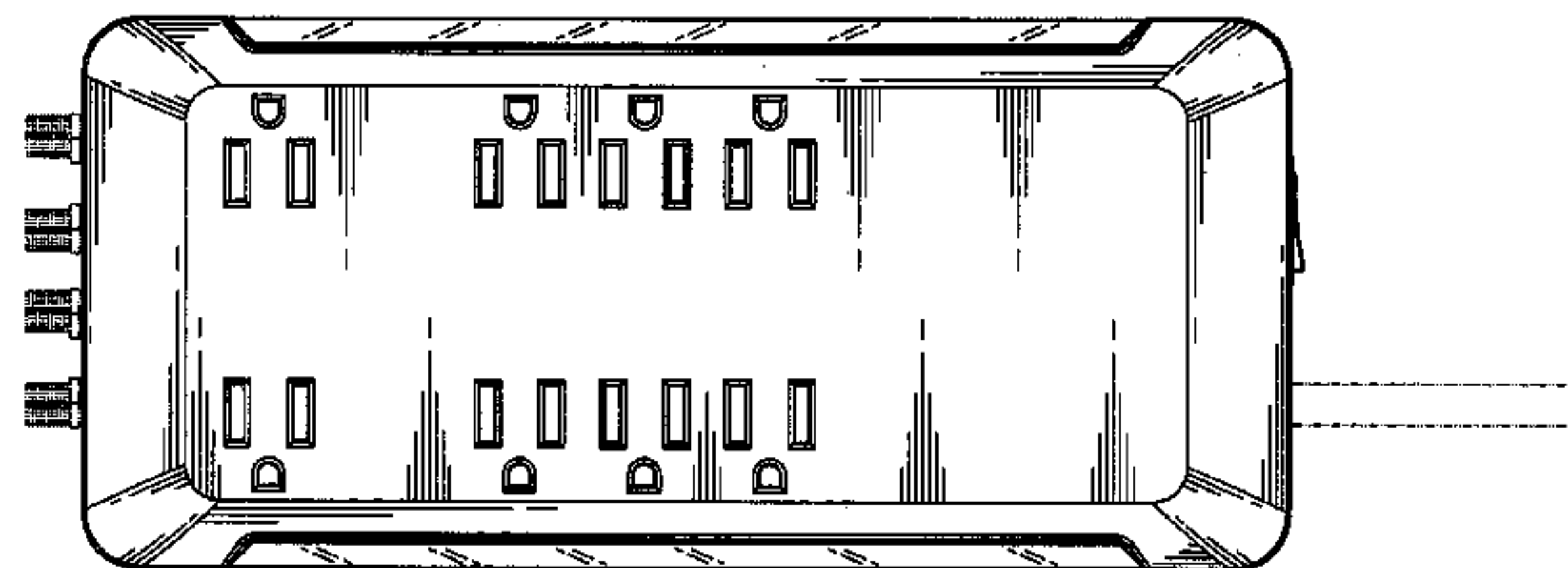
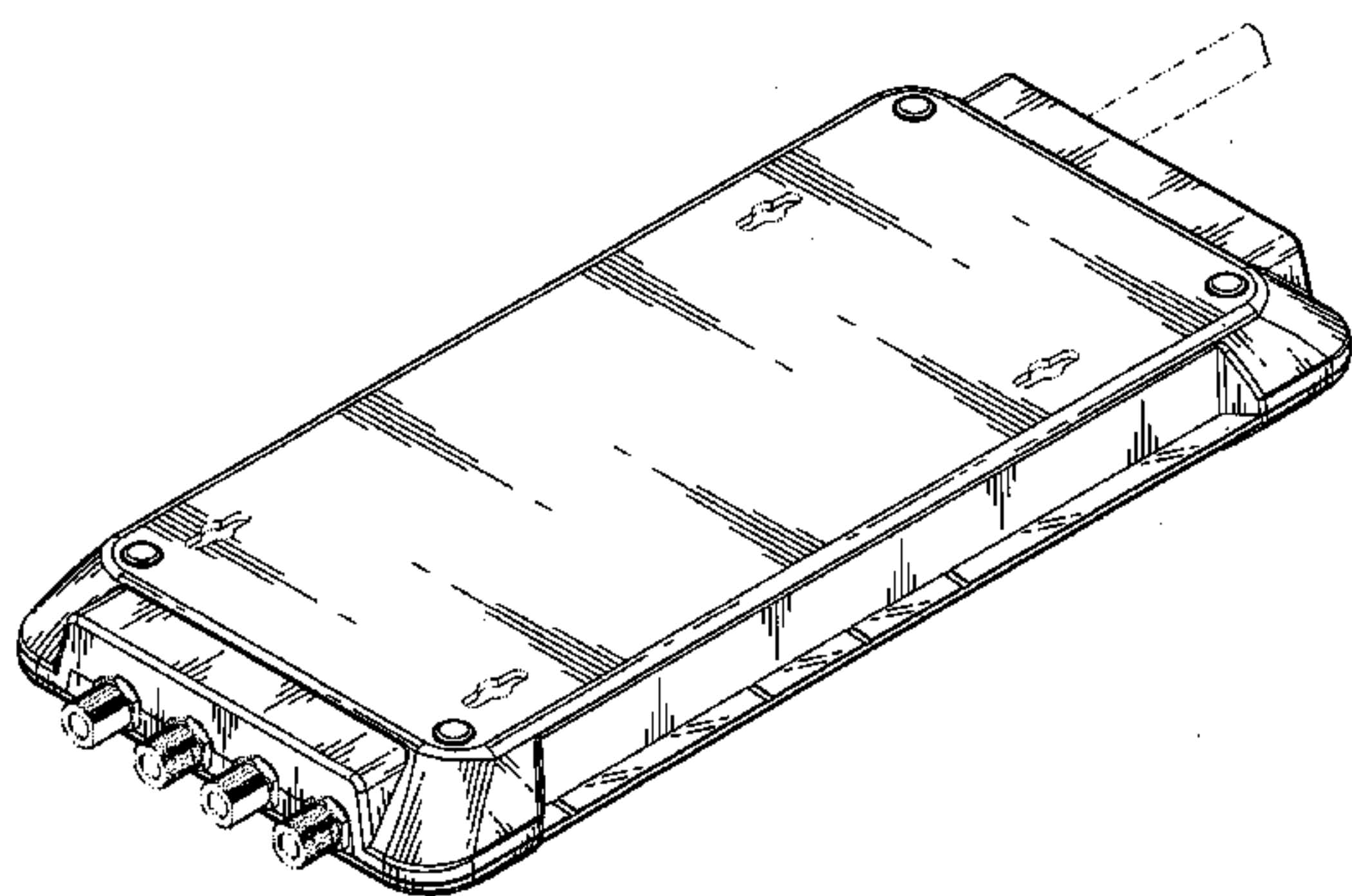
FIG. 5 is a right side view thereof;

FIG. 6 is a top view thereof; and,

FIG. 7 is a bottom view thereof.

The dashed lines in the drawings are for illustrative purpose only and form no part of the claimed design.

1 Claim, 5 Drawing Sheets



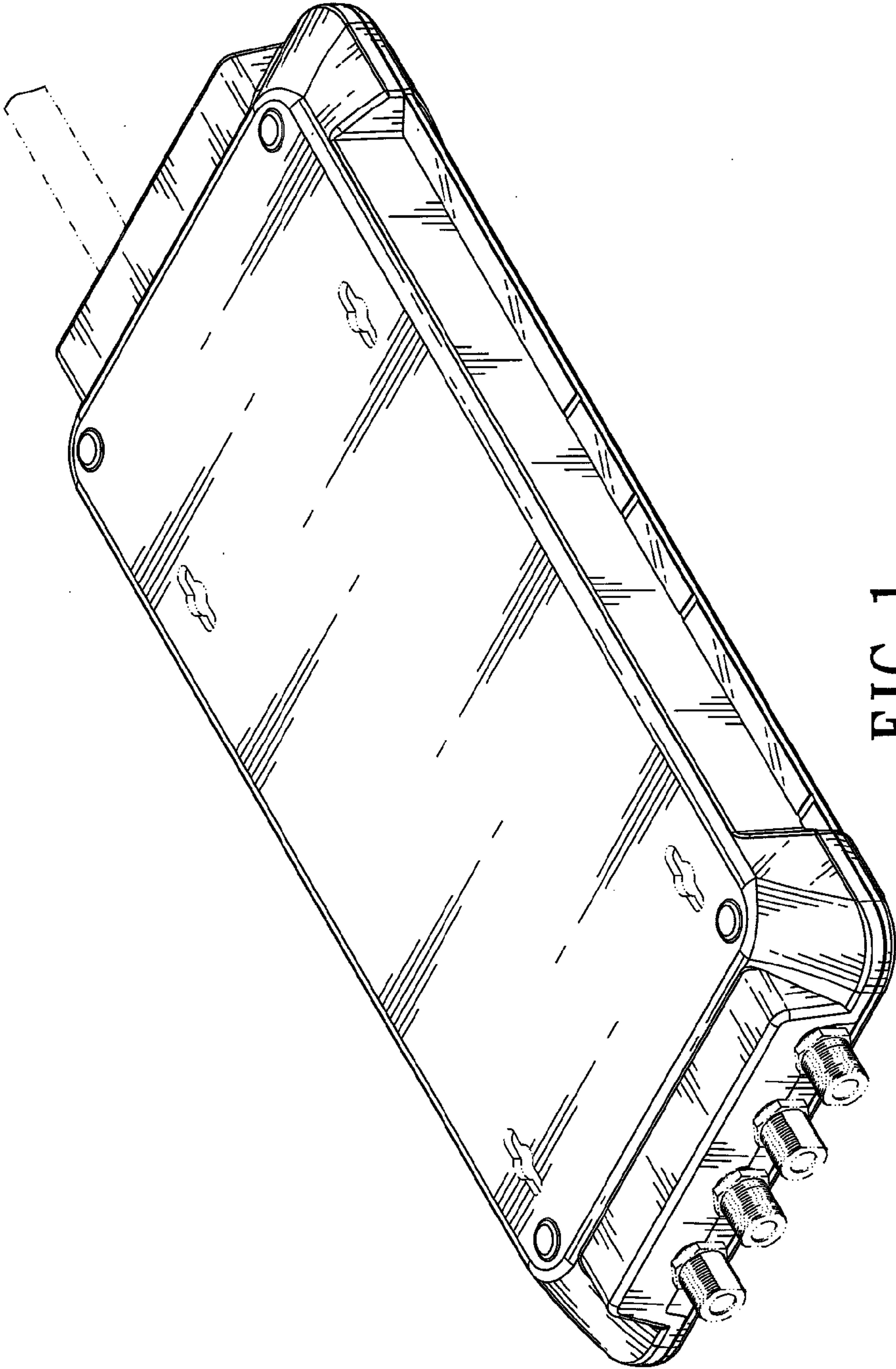


FIG. 1

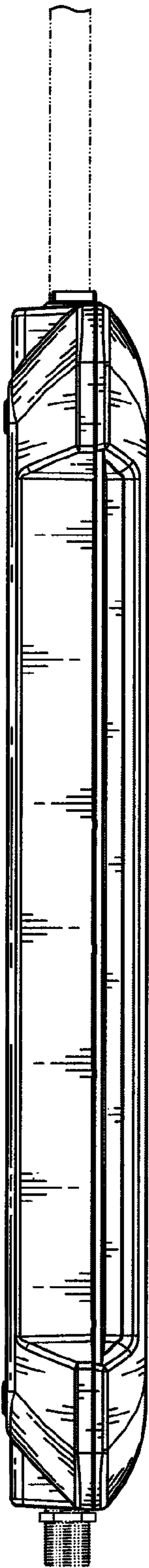


FIG. 2

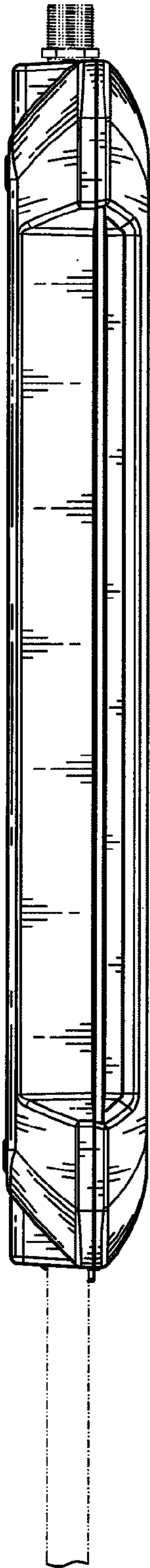


FIG. 3

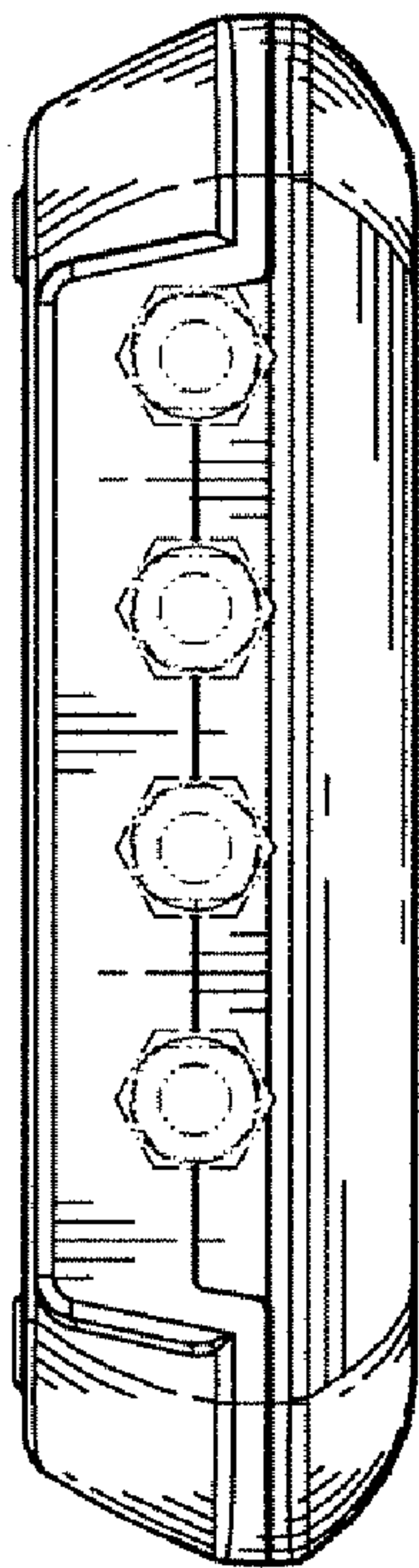


FIG. 4

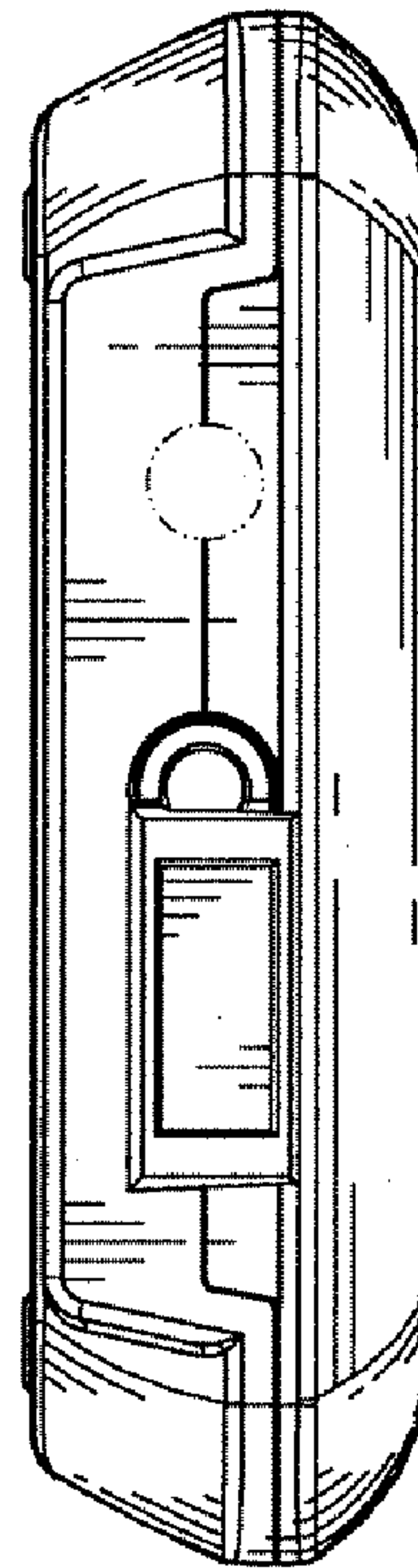


FIG. 5

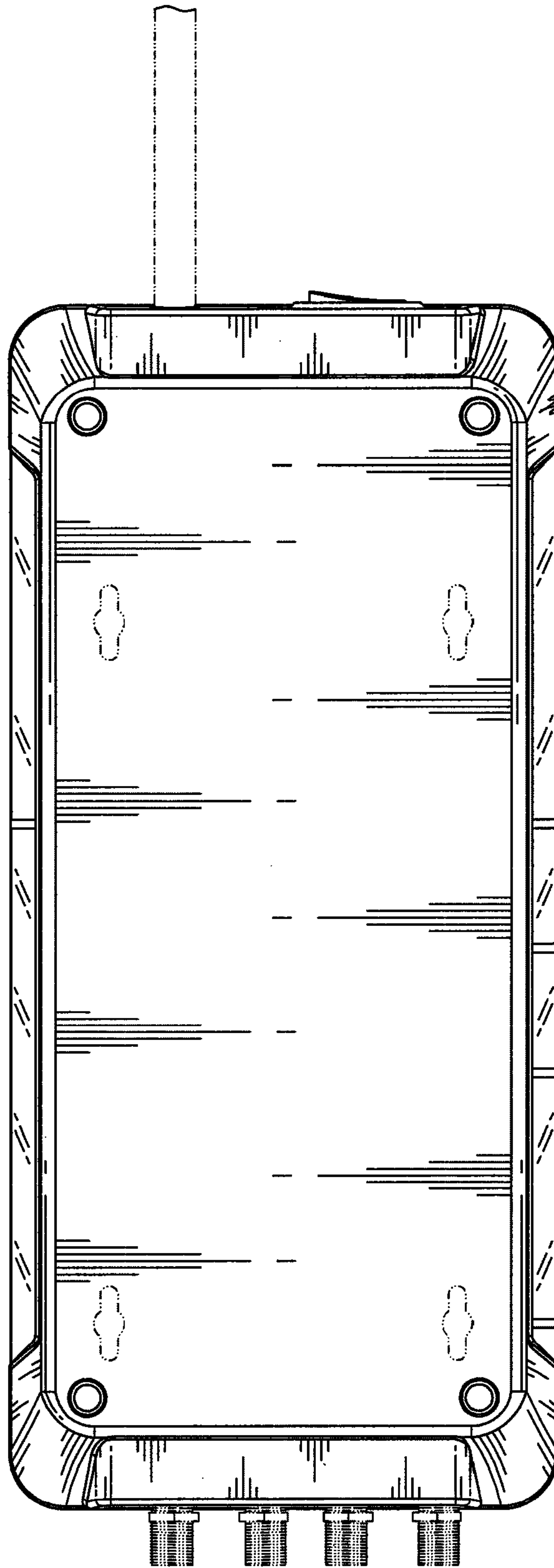


FIG. 6

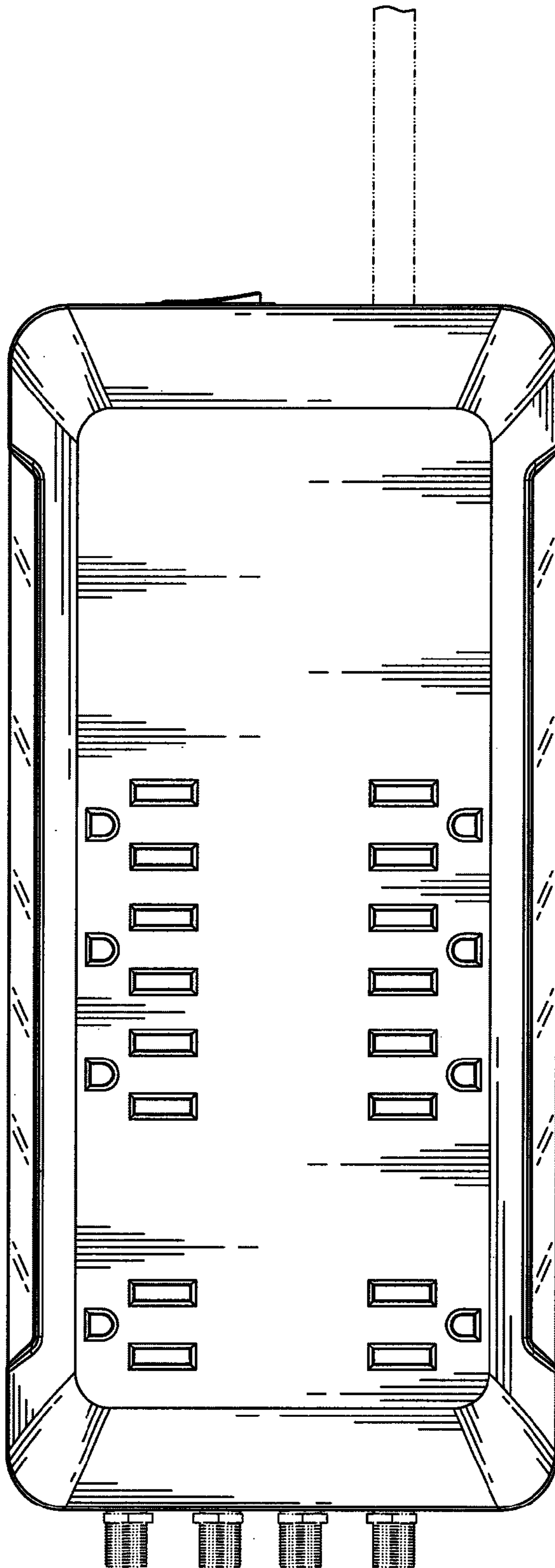


FIG. 7