



US00D641700S

(12) **United States Design Patent**
Ohkuma

(10) **Patent No.:** **US D641,700 S**
(45) **Date of Patent:** **** Jul. 19, 2011**

(54) **ELECTRICAL CONNECTOR**

(75) Inventor: **Yoshihito Ohkuma**, Kanagawa (JP)

(73) Assignee: **Iriso Electronics Co., Ltd.**, Kanagawa (JP)

(**) Term: **14 Years**

(21) Appl. No.: **29/369,301**

(22) Filed: **Sep. 7, 2010**

(30) **Foreign Application Priority Data**

Mar. 5, 2010 (JP) 2010-005415

(51) **LOC (9) Cl.** **13-03**

(52) **U.S. Cl.** **D13/133**

(58) **Field of Classification Search** D13/133,
D13/146-147, 154, 156, 184; 439/266, 345,
439/352, 357, 358, 476.1, 595, 607.01, 607.04,
439/607.05, 607.17, 607.25, 607.34, 607.41,
439/607.53, 660, 680, 682, 752

See application file for complete search history.

(56) **References Cited**

U.S. PATENT DOCUMENTS

D402,628 S * 12/1998 Canuto et al. D13/133
D596,130 S * 7/2009 Chen et al. D13/147

D614,569 S * 4/2010 Yang D13/120
D629,754 S * 12/2010 Oda et al. D13/147
D629,755 S * 12/2010 Oda et al. D13/147

FOREIGN PATENT DOCUMENTS

JP D1378883 2/2010

* cited by examiner

Primary Examiner — Daniel Bui

(74) *Attorney, Agent, or Firm* — Lowe Hauptman Ham & Berner, LLP

(57) **CLAIM**

The ornamental design for an electrical connector, as shown.

DESCRIPTION

FIG. 1 is a front elevation view of an electrical connector showing my new design;

FIG. 2 is a rear elevation view thereof;

FIG. 3 is a top plan view thereof;

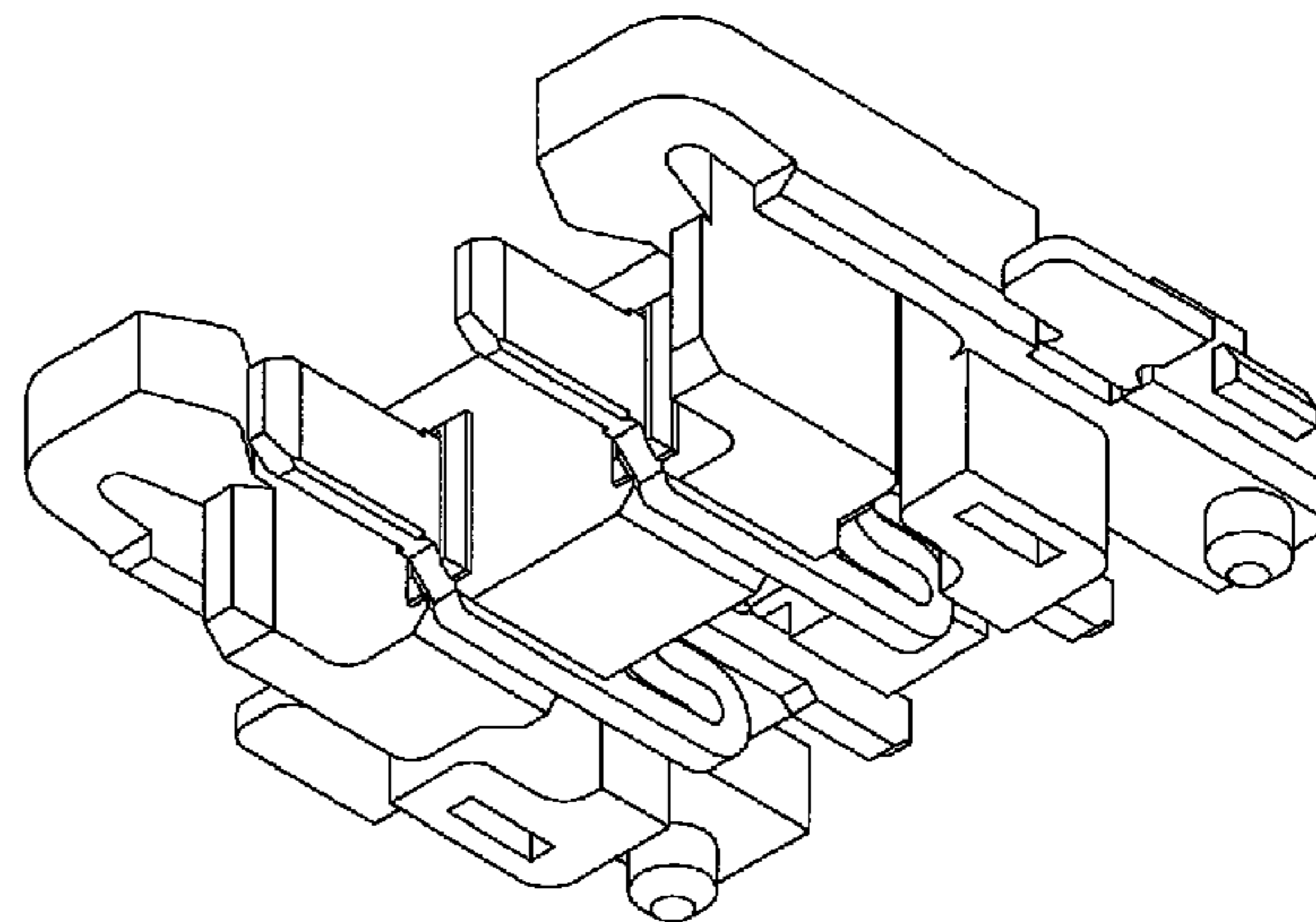
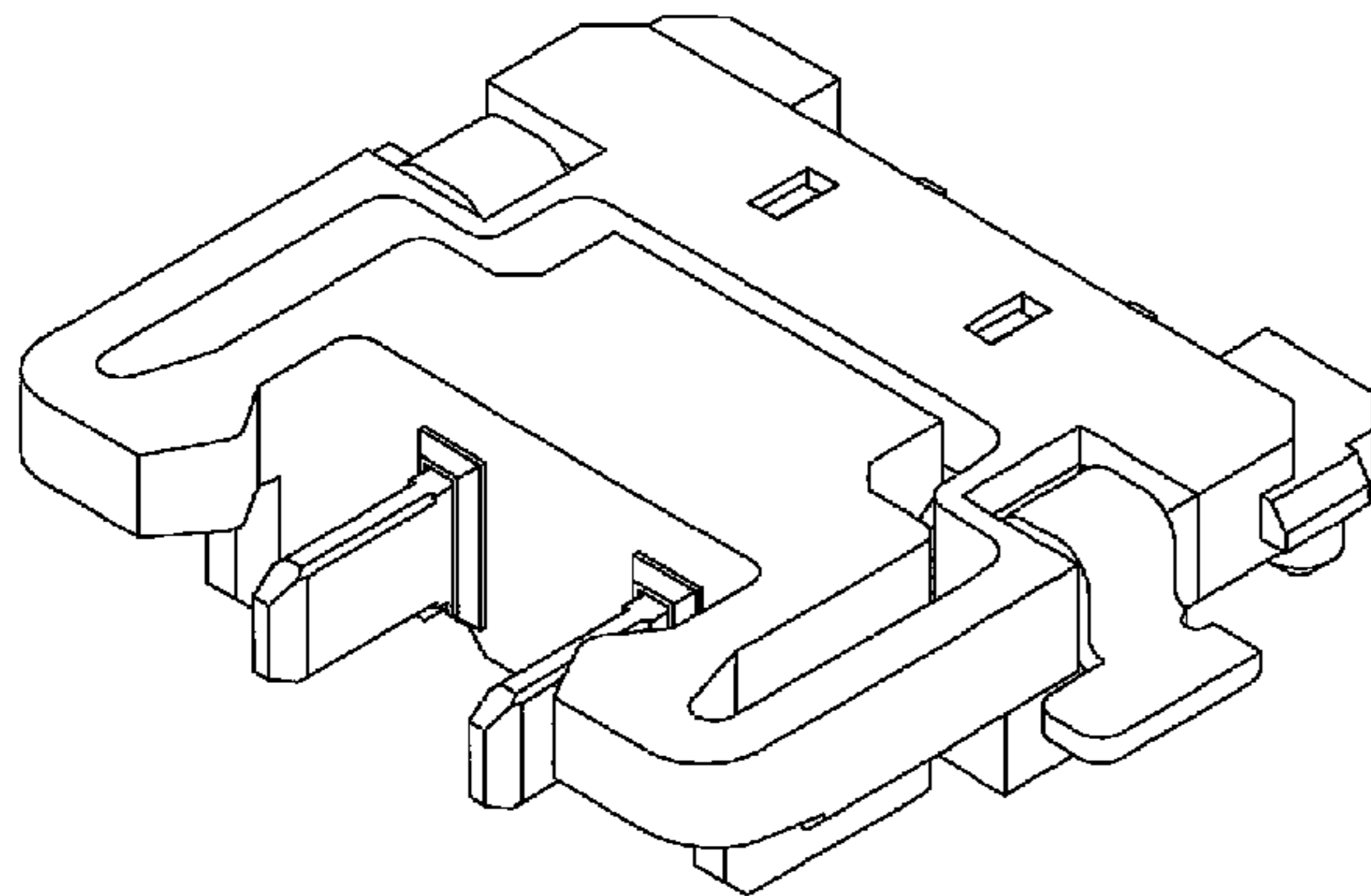
FIG. 4 is a bottom plan view thereof;

FIG. 5 is a right side elevation view thereof, the left side elevation view being a mirror image thereto;

FIG. 6 is a top, front and right side perspective view thereof; and,

FIG. 7 is a bottom, front and right side perspective view thereof.

1 Claim, 4 Drawing Sheets



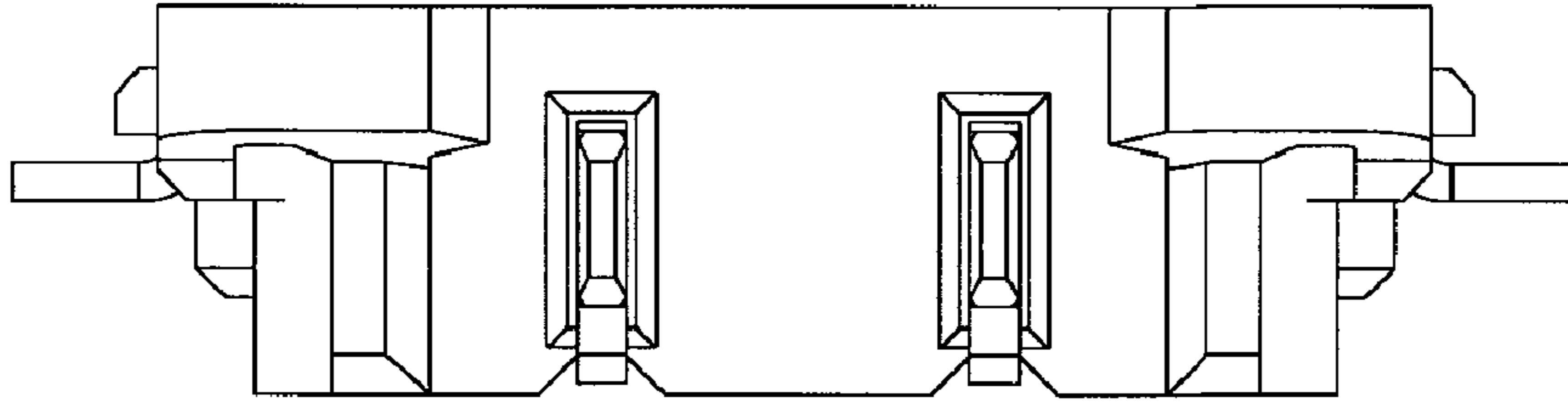


FIG. 1

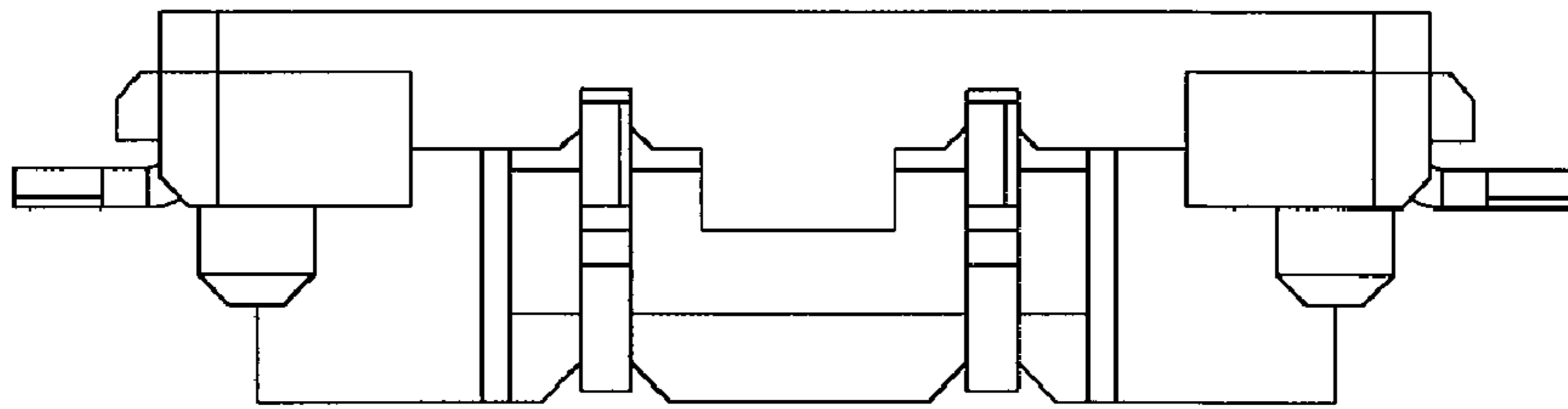


FIG. 2

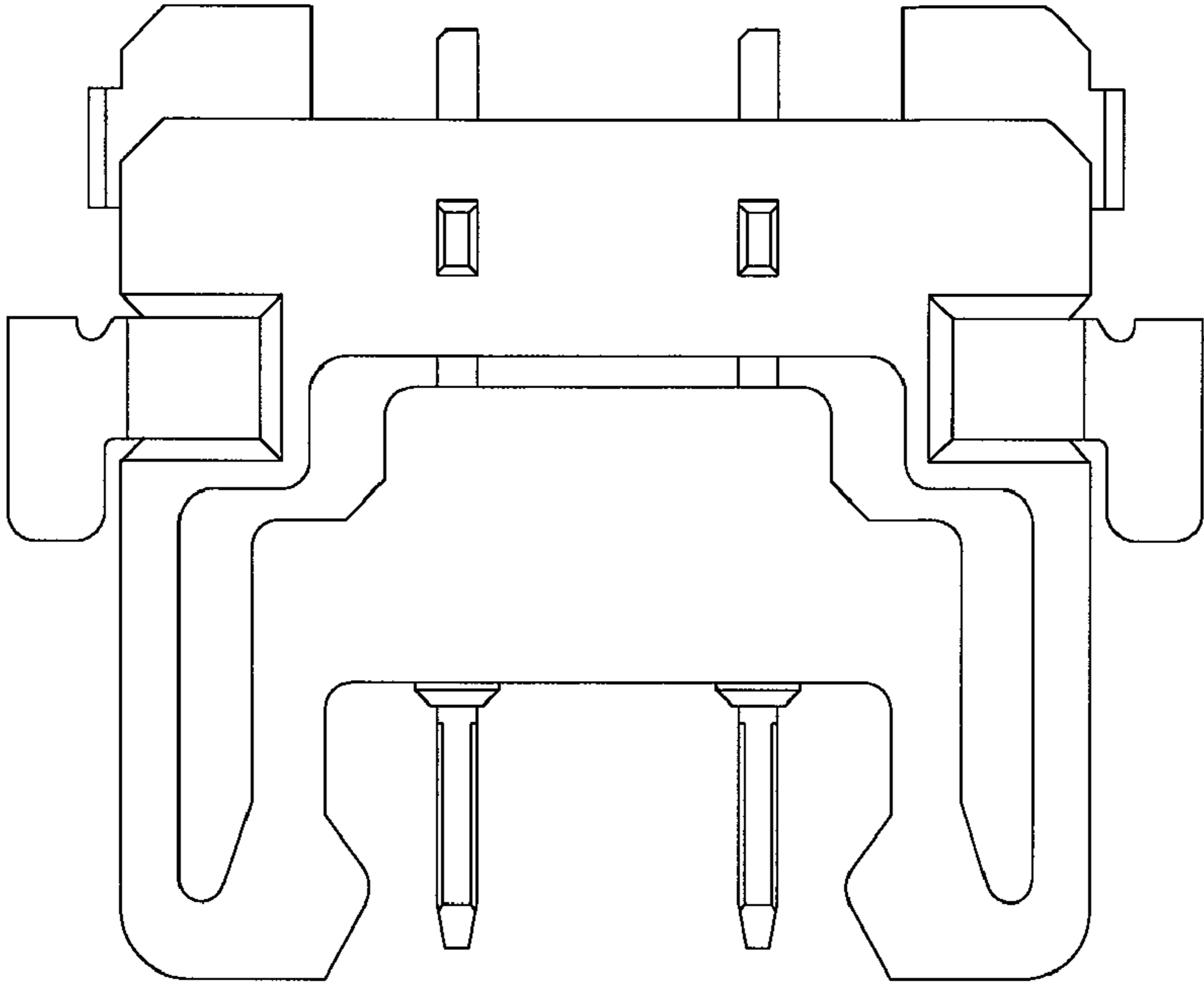


FIG. 3

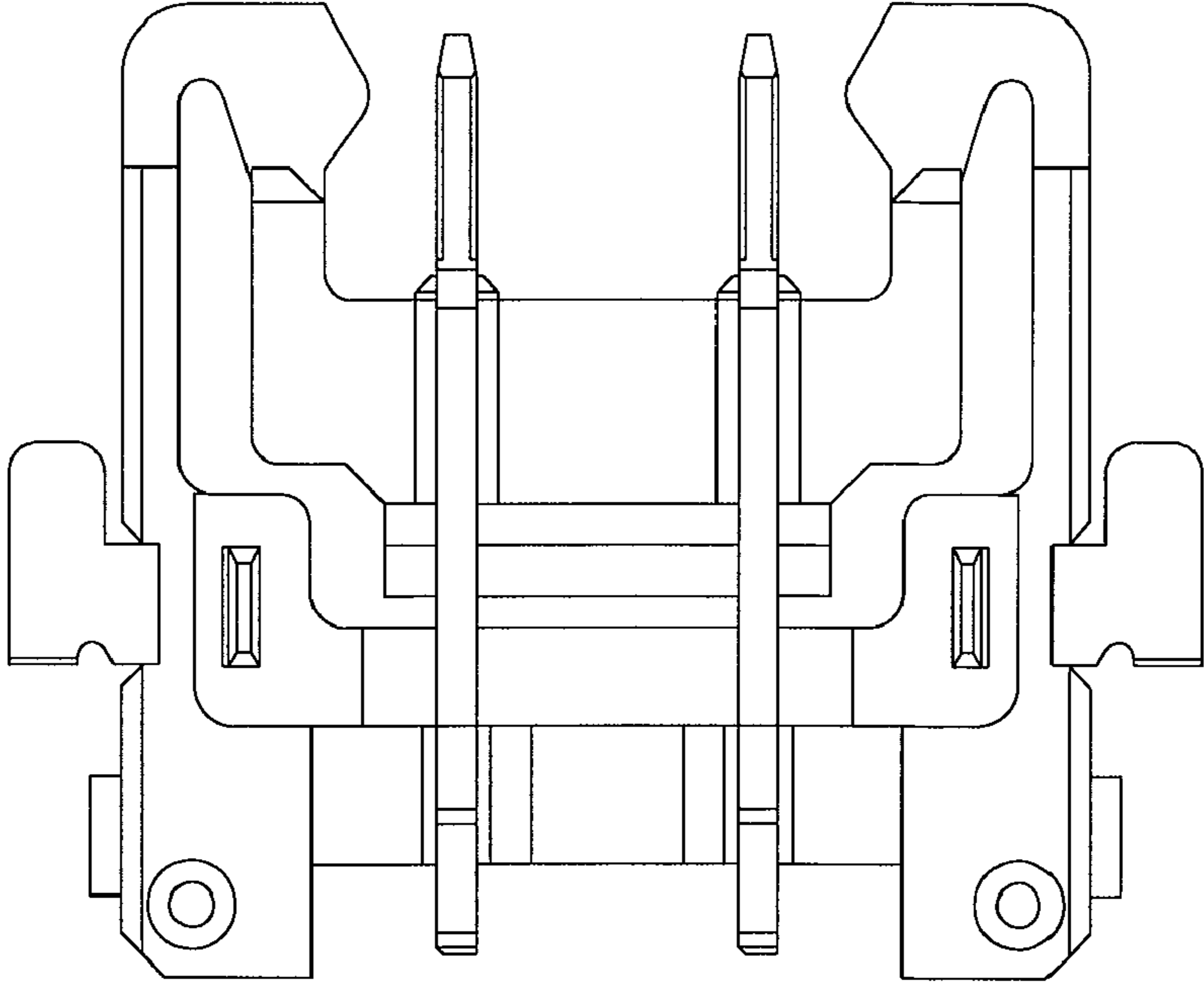


FIG. 4

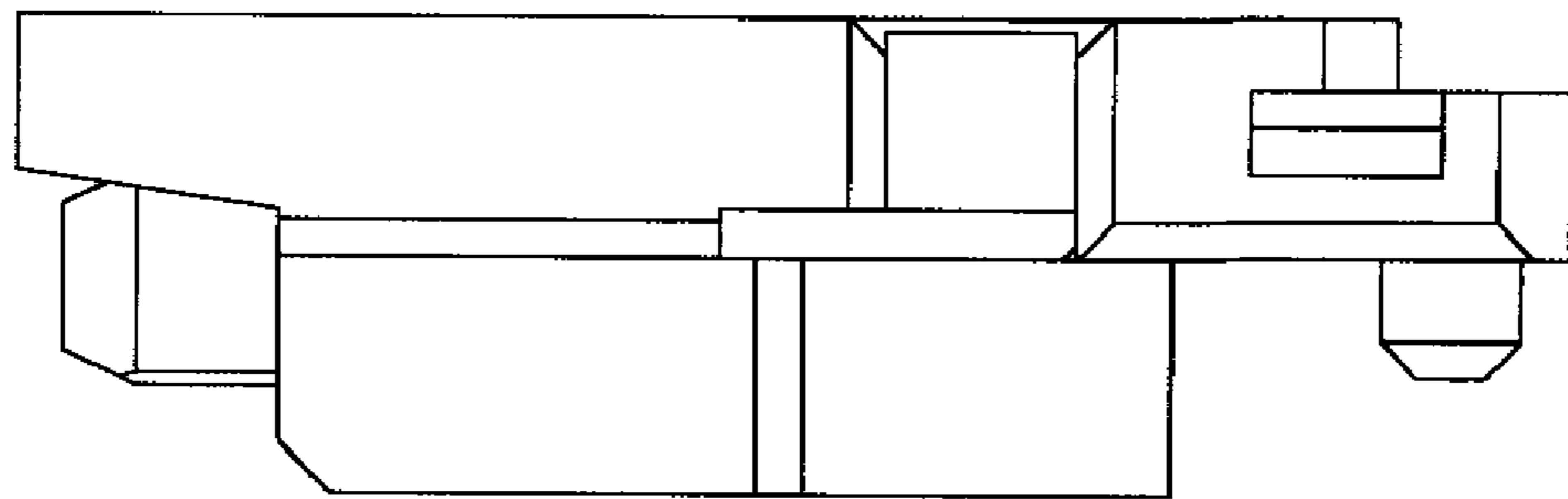


FIG. 5

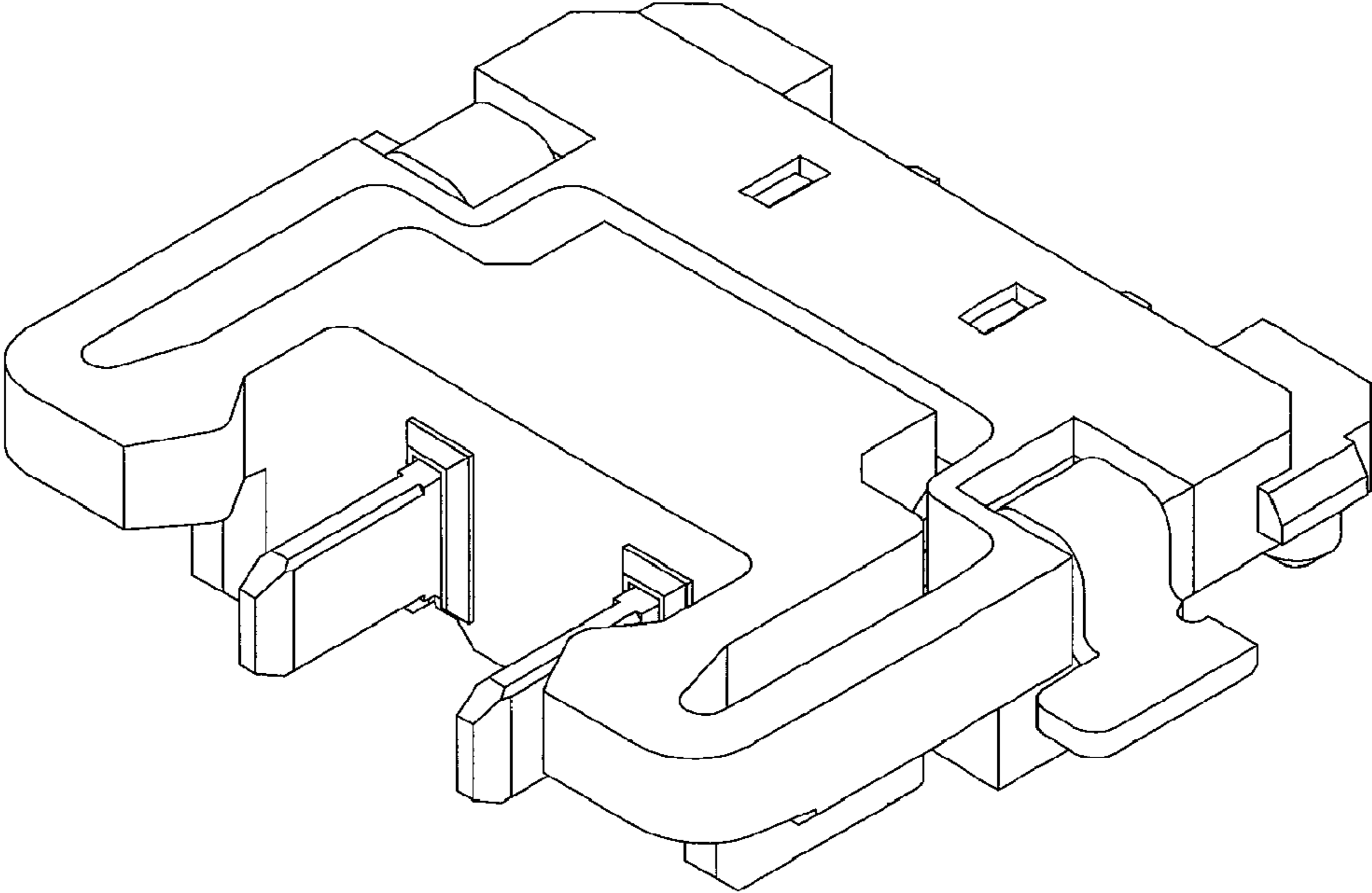


FIG. 6

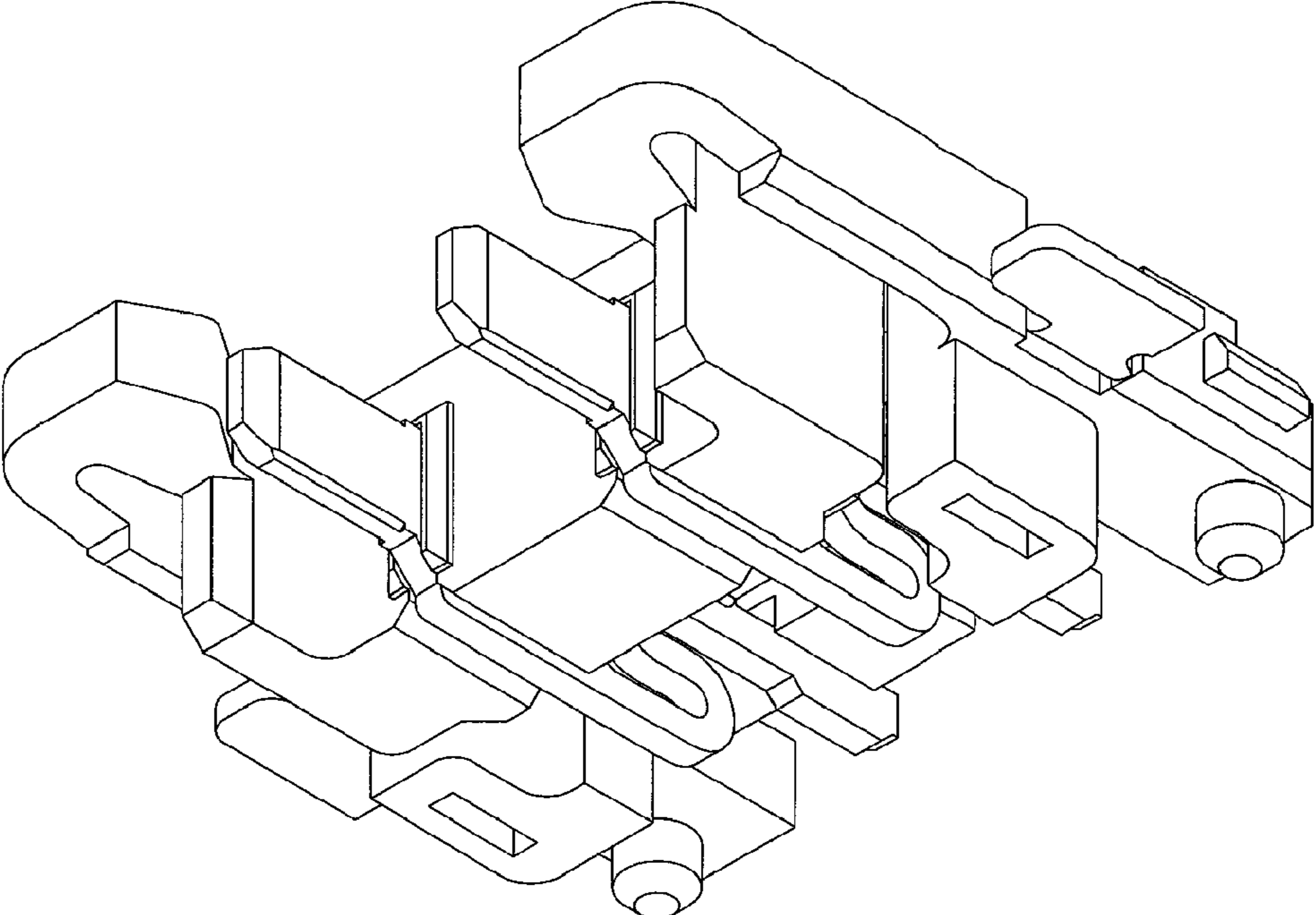


FIG. 7