

US00D641697S

(12) **United States Design Patent**
Charlson et al.

(10) **Patent No.:** **US D641,697 S**
(45) **Date of Patent:** **** Jul. 19, 2011**

(54) **CONVECTION COOLED FREQUENCY CONVERTER**

(56) **References Cited**

(75) Inventors: **Simon Charlson**, Manchester (GB);
Lyndon Shenton,
Newcastle-Under-Lyme (GB); **Jürgen**
Wagner, Stein (DE)

(73) Assignee: **Siemens Aktiengesellschaft**, München
(DE)

(**) Term: **14 Years**

(21) Appl. No.: **29/345,264**

(22) Filed: **Oct. 13, 2009**

Related U.S. Application Data

(62) Division of application No. 29/277,307, filed on Feb. 21, 2007, now Pat. No. Des. 606,017.

Foreign Application Priority Data

Aug. 21, 2006 (EP) 000585112

(51) **LOC (9) Cl.** **13-02**

(52) **U.S. Cl.** **D13/110**

(58) **Field of Classification Search** D13/110,
D13/123, 162, 182, 184, 199; 307/150, 151;
361/704, 707, 717-720, 752, 790; 363/35,
363/37, 141, 144

See application file for complete search history.

U.S. PATENT DOCUMENTS

D365,082	S	*	12/1995	Cook et al.	D13/110
5,835,350	A	*	11/1998	Stevens	361/704
D403,301	S	*	12/1998	Lehmann et al.	D13/110
6,091,604	A	*	7/2000	Plougsgaard et al.	361/707
D455,399	S	*	4/2002	Imamura et al.	D13/110
6,459,586	B1	*	10/2002	Miller et al.	361/719
D490,785	S	*	6/2004	Boylan et al.	D13/182
D494,539	S	*	8/2004	Alcantar et al.	D13/110
D510,320	S	*	10/2005	Tuomola et al.	D13/110
D510,906	S	*	10/2005	Vinciarelli et al.	D13/110

* cited by examiner

Primary Examiner — Prabhakar Deshmukh

Assistant Examiner — Derrick Holland

(74) *Attorney, Agent, or Firm* — Henry M. Feiereisen;
Ursula B. Day

(57) **CLAIM**

The ornamental design for a convention cooled frequency converter, as shown and described.

DESCRIPTION

FIG. 1 is a front elevation view of a convection cooled frequency converter showing our new design; FIG. 2 is a rear elevational view thereof; FIG. 3 is a top plan view thereof; FIG. 4 is a bottom plan view thereof; FIG. 5 is a right side elevational view thereof; FIG. 6 is a left side elevational view thereof; and, FIG. 7 is a perspective view thereof. The broken lines shown represent unclaimed subject matter and form no part of the claimed design.

1 Claim, 7 Drawing Sheets

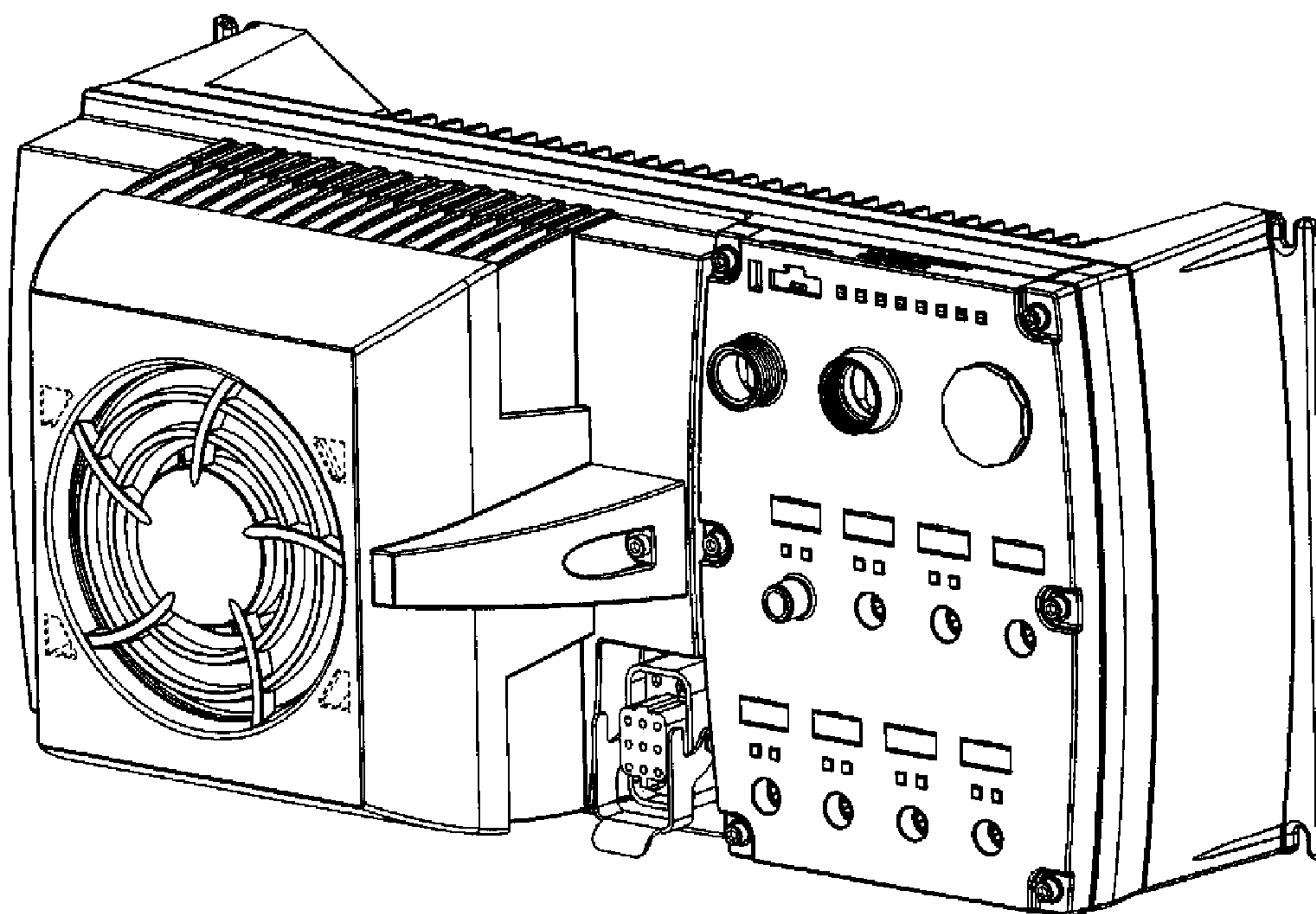


Fig. 1

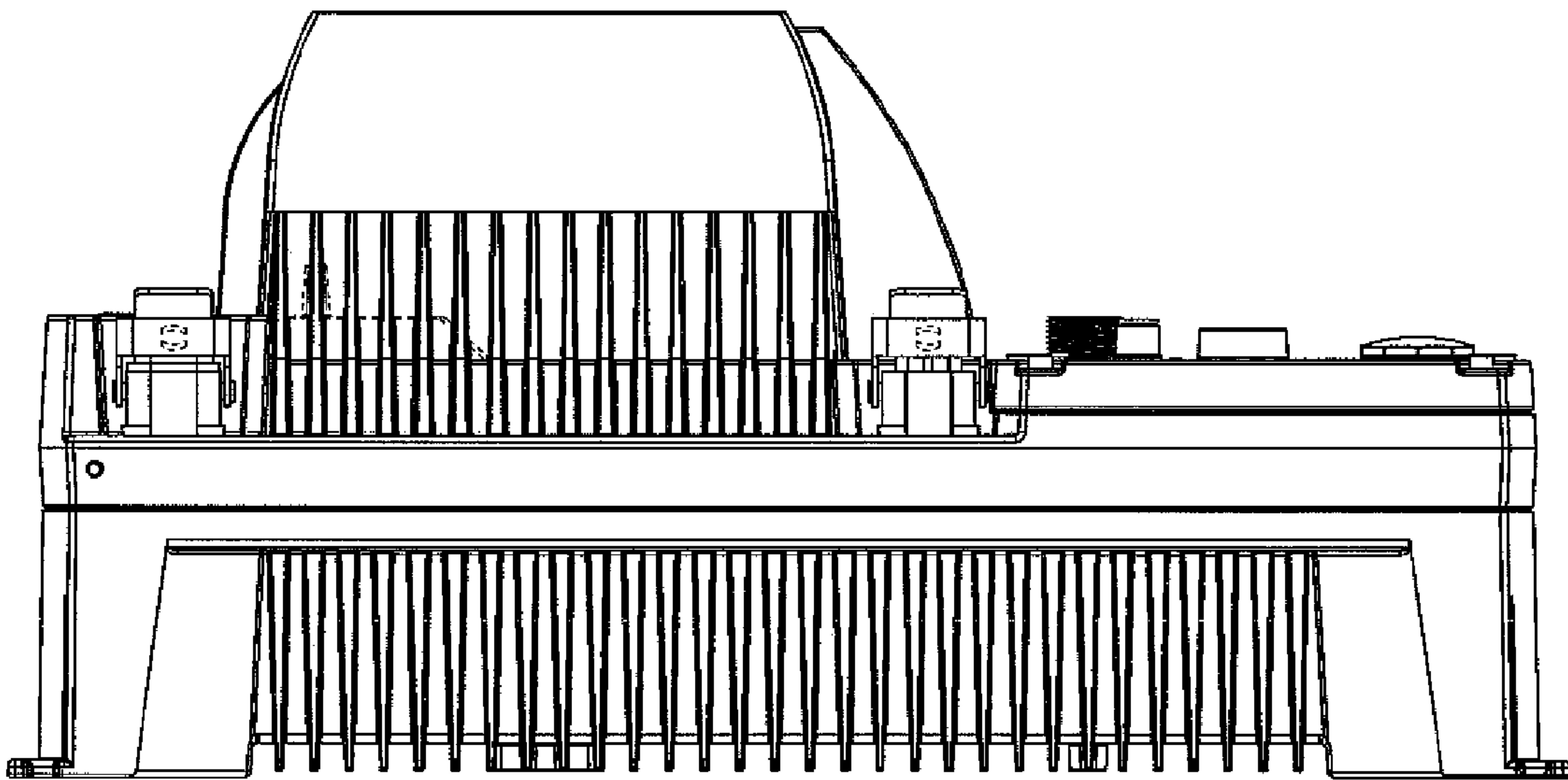


Fig. 2

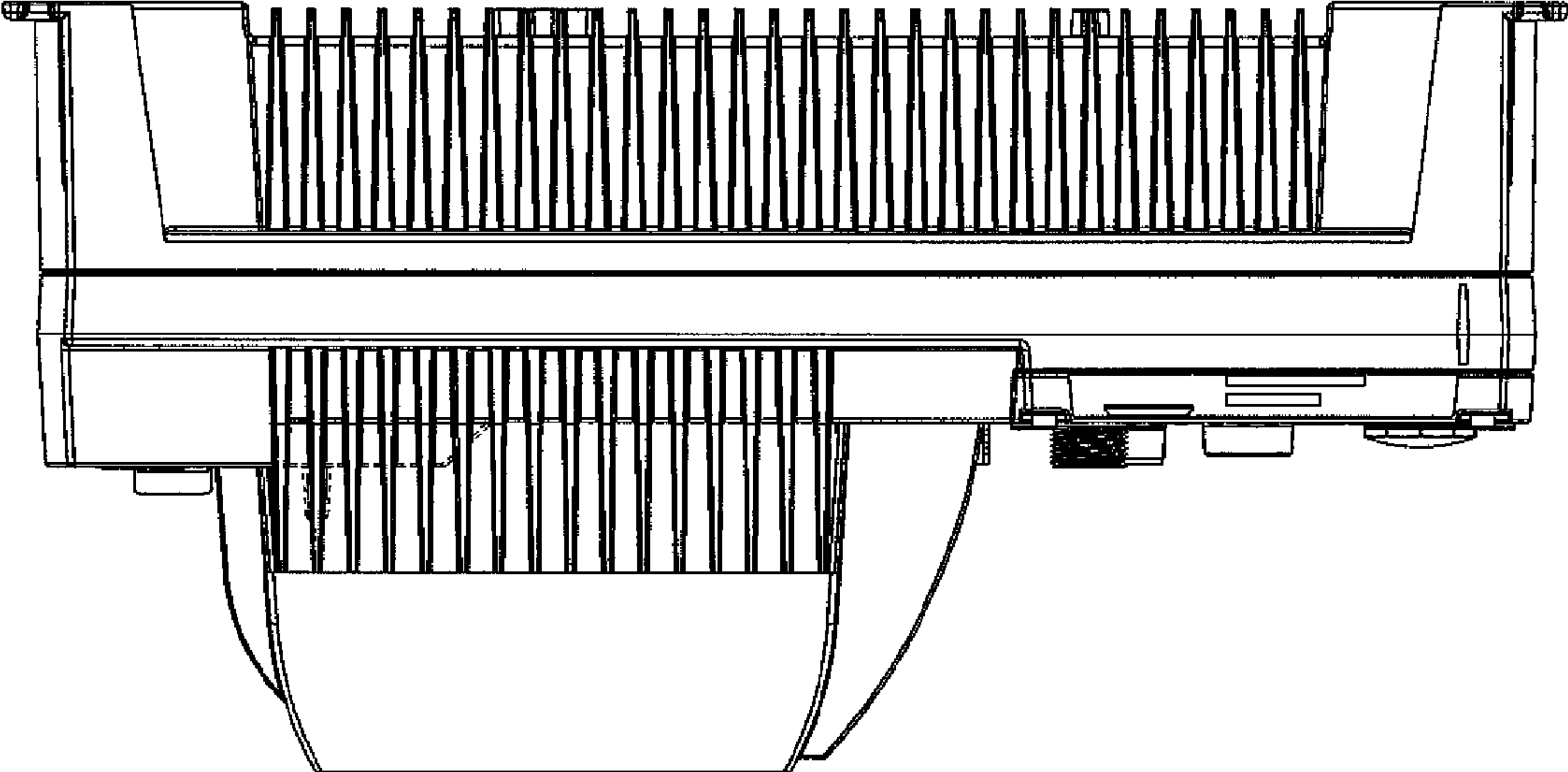


FIG 3

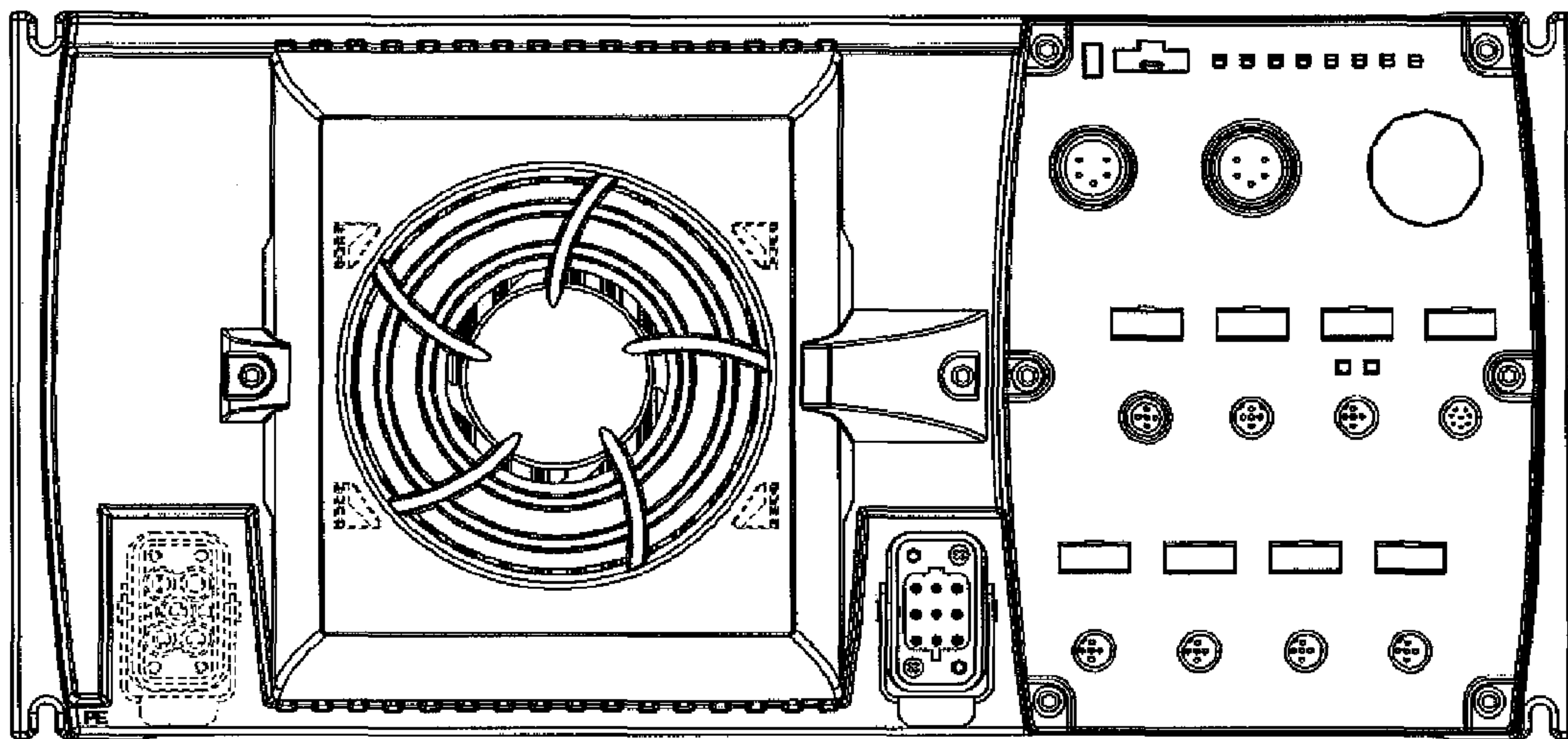


FIG 4

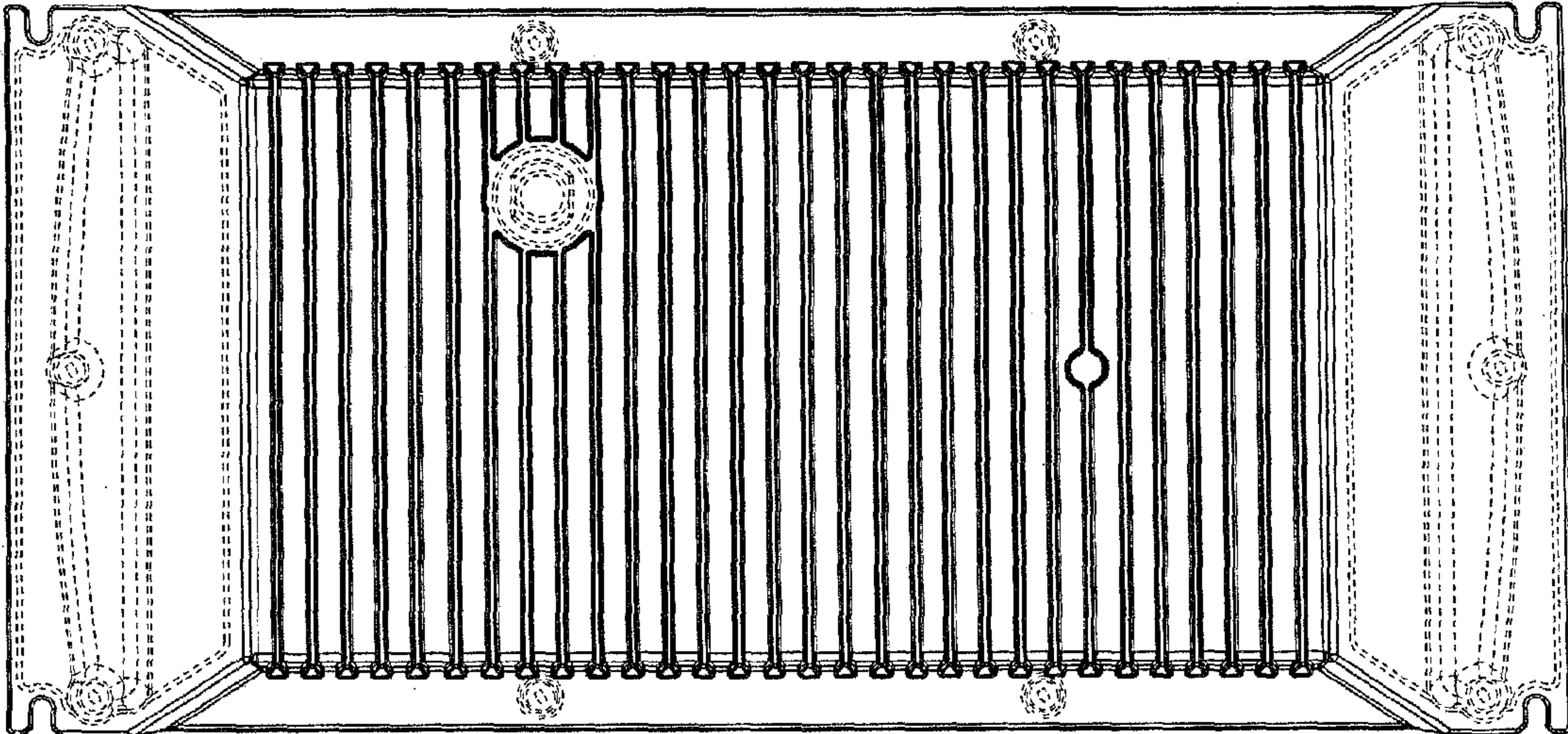


FIG 5

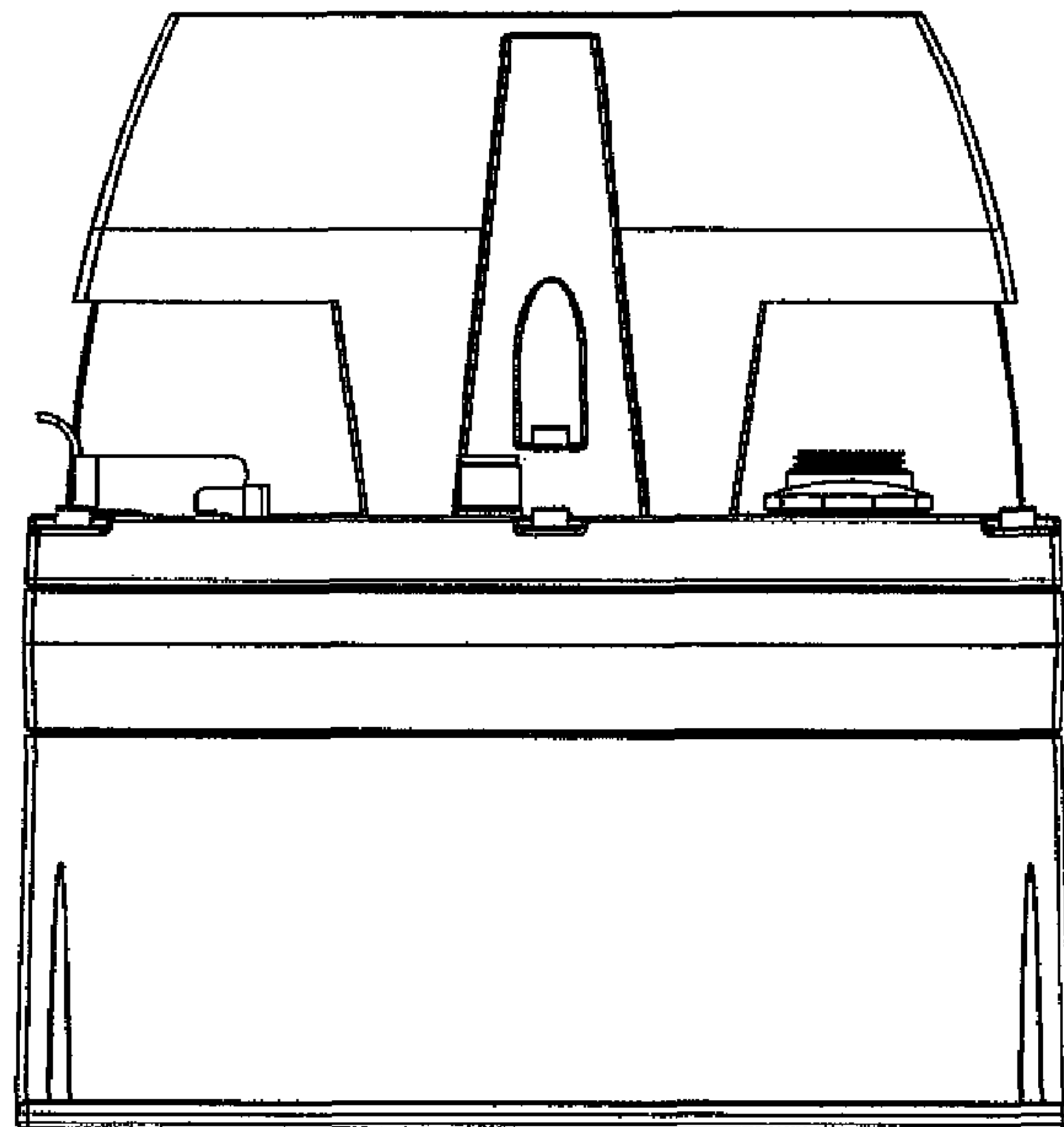


FIG 6

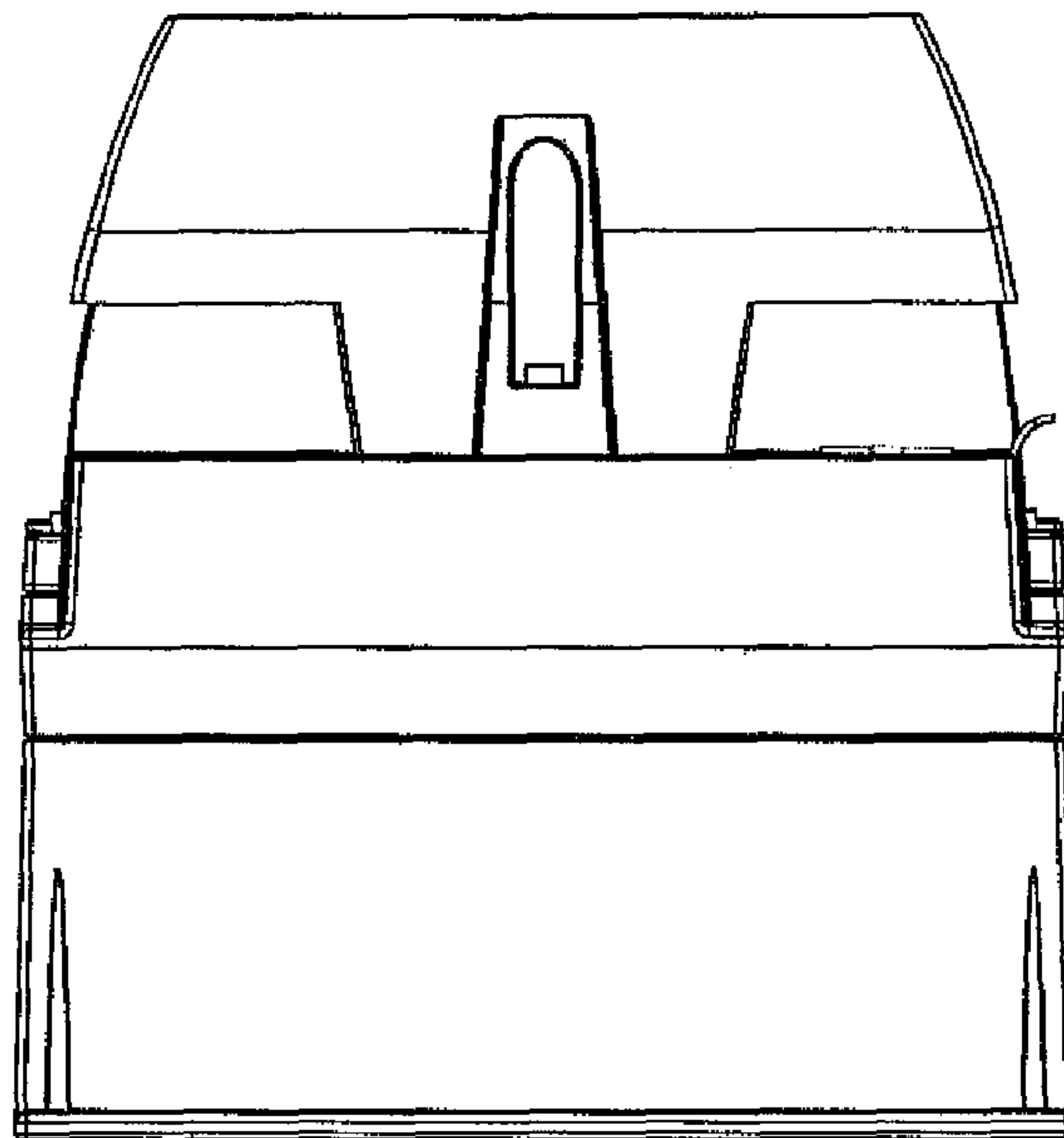
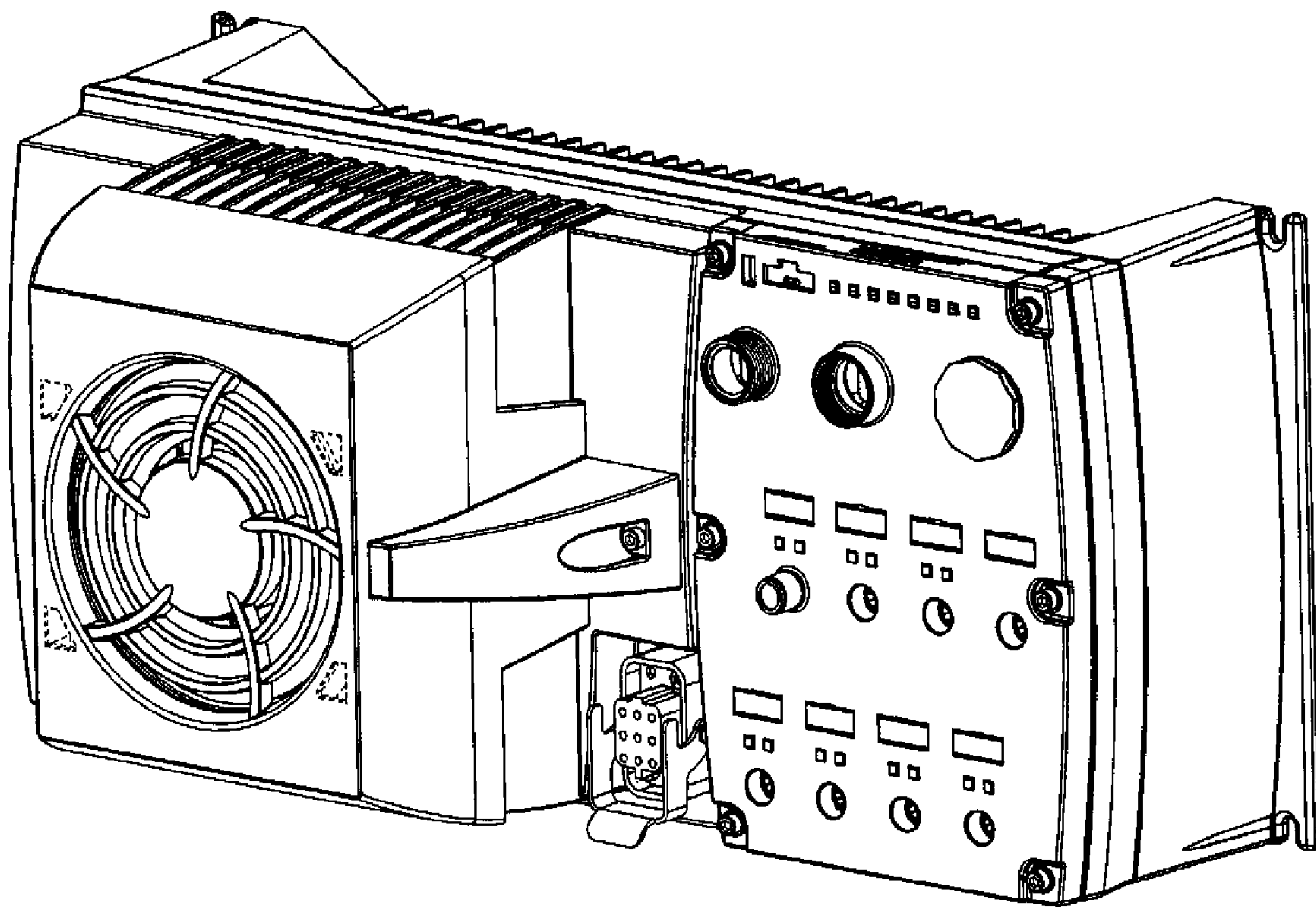


FIG 7



UNITED STATES PATENT AND TRADEMARK OFFICE
CERTIFICATE OF CORRECTION

PATENT NO. : D641,697 S
APPLICATION NO. : 29/345264
DATED : July 19, 2011
INVENTOR(S) : Simon Charlson et al.

Page 1 of 1

It is certified that error appears in the above-identified patent and that said Letters Patent is hereby corrected as shown below:

On the cover page:

(57) CLAIM
Replace "convention" with --convection--

Signed and Sealed this
Eighteenth Day of October, 2011



David J. Kappos
Director of the United States Patent and Trademark Office