



US00D641692S

(12) **United States Design Patent**
Wharram

(10) **Patent No.:** **US D641,692 S**
(45) **Date of Patent:** **** Jul. 19, 2011**

(54) **SOLAR-POWERED ELECTRONIC READER COVER**

(76) Inventor: **Kevin Gary Wharram**, London (GB)

(**) Term: **14 Years**

(21) Appl. No.: **29/385,660**

(22) Filed: **Feb. 17, 2011**

(51) **LOC (9) Cl.** **13-02**

(52) **U.S. Cl.** **D13/102**

(58) **Field of Classification Search** D13/102,
D13/101, 103, 107, 108, 199; 136/206, 243,
136/244, 245, 252; 320/101, 102, 114, 115,
320/120

See application file for complete search history.

(56) **References Cited**

U.S. PATENT DOCUMENTS

5,522,943	A *	6/1996	Spencer et al.	136/245
D391,921	S *	3/1998	Zimmer et al.	D13/102
6,476,311	B1 *	11/2002	Lee et al.	136/244
D479,191	S *	9/2003	Peress et al.	D13/102
6,650,085	B2 *	11/2003	Lau et al.	320/101
D489,680	S *	5/2004	Stobart	D13/107
D493,768	S *	8/2004	Lam	D13/102
D510,316	S *	10/2005	Hayakawa	D13/102
D573,943	S *	7/2008	Ono et al.	D13/102
D581,865	S *	12/2008	Koza	D13/102

* cited by examiner

Primary Examiner — Stella Reid

Assistant Examiner — Derrick Holland

(74) *Attorney, Agent, or Firm* — Zies Widerman & Maiek;
Mark R. Malek, Esquire; Eugene R. Quinn, Jr., Esquire

(57) **CLAIM**

The ornamental design for a solar-powered electronic reader cover, as shown and described.

DESCRIPTION

FIG. 1 is a front perspective view of a solar-powered electronic reader cover according to the present invention.

FIG. 2 is a rear perspective view of a solar-powered electronic reader cover according to the present invention.

FIG. 3 is a front elevation view of a solar-powered electronic reader cover according to the present invention.

FIG. 4 is a rear elevation view of a solar-powered electronic reader cover according to the present invention.

FIG. 5 is a right side elevation view of a solar-powered electronic reader cover according to the present invention.

FIG. 6 is a left side elevation view of a solar-powered electronic reader cover according to the present invention.

FIG. 7 is a top elevation view of a solar-powered electronic reader cover according to the present invention.

FIG. 8 is a bottom elevation view of a solar-powered electronic reader cover according to the present invention.

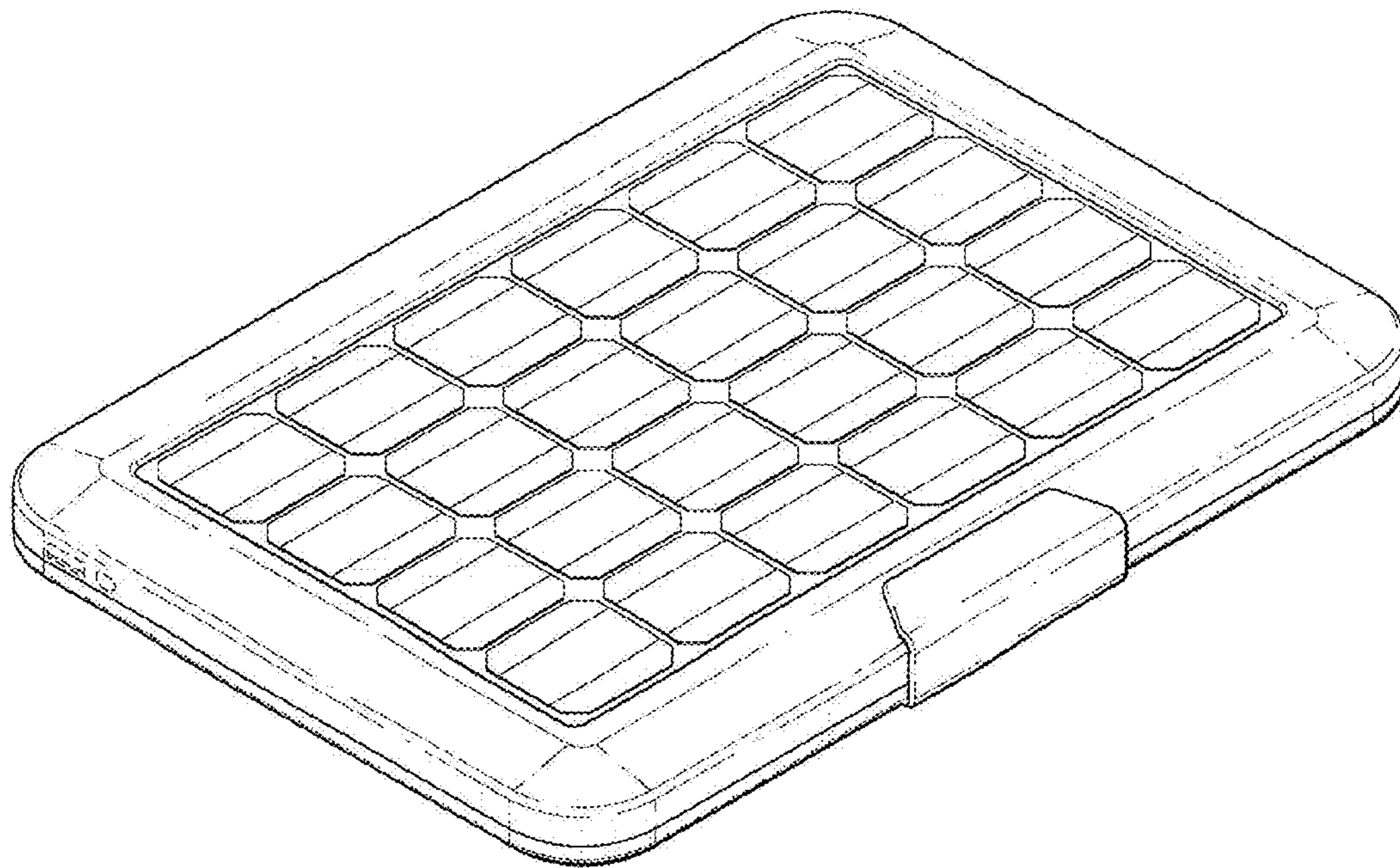
FIG. 9 is a front perspective view of a solar-powered electronic reader cover in an opened position.

FIG. 10 is a front elevation view of a solar-powered electronic reader cover according to the present invention in an opened position; and,

FIG. 11 is a front elevation view of a solar-powered electronic reader cover according to the present invention in an opened position.

The broken lines showing environmental structure throughout the claim represents unclaimed subject matter and forms no part of the claimed design.

1 Claim, 9 Drawing Sheets



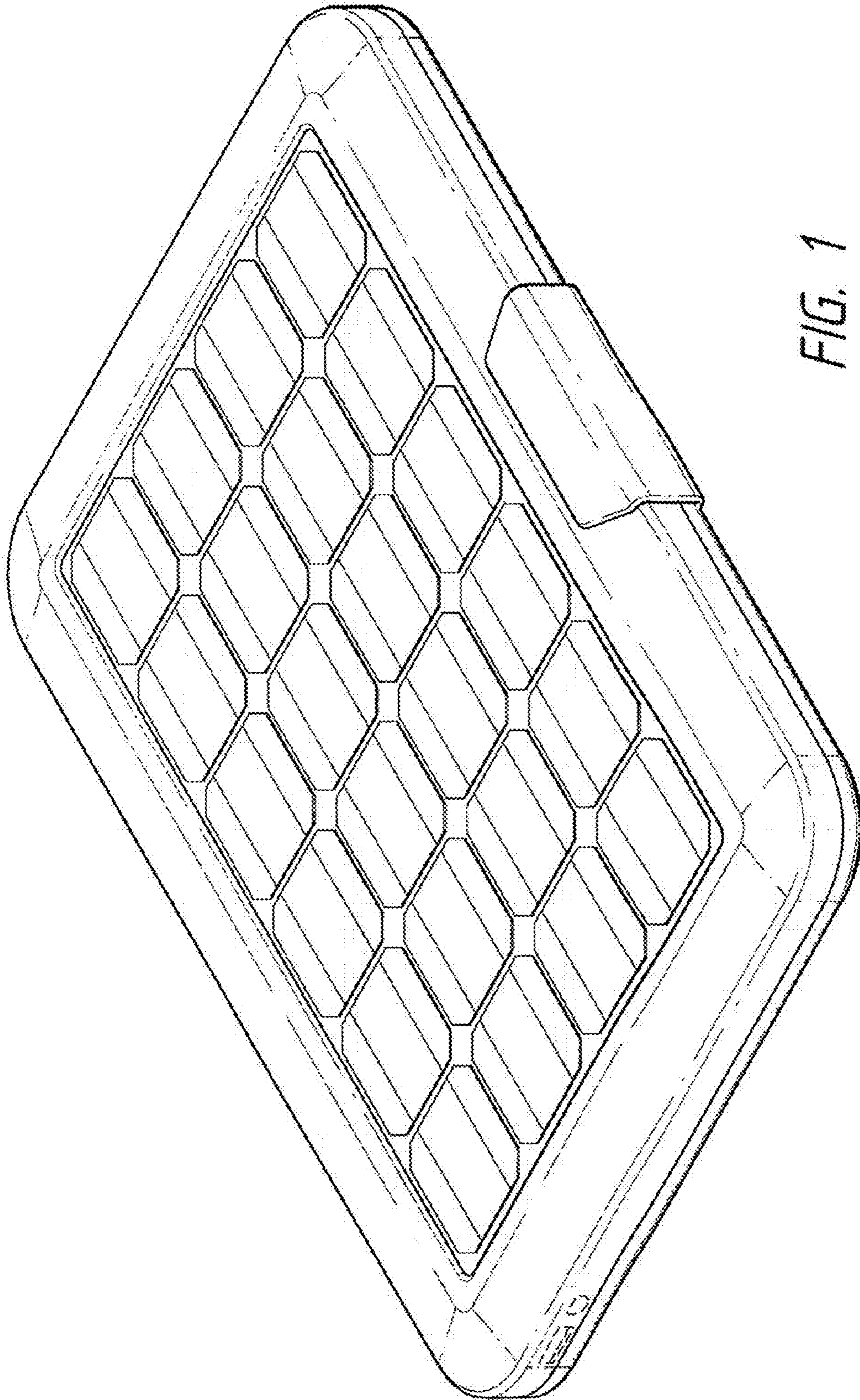


FIG. 1

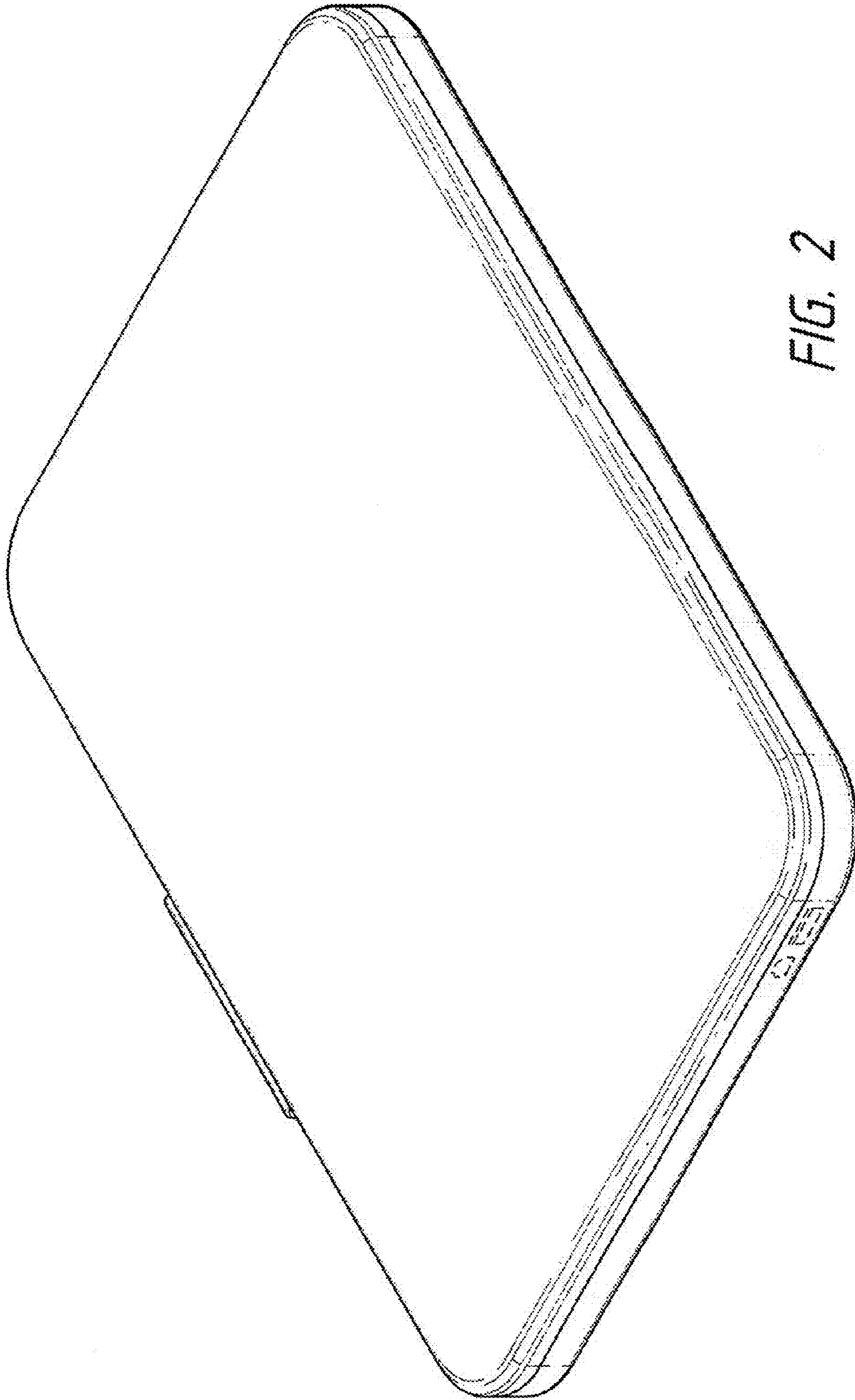


FIG. 2

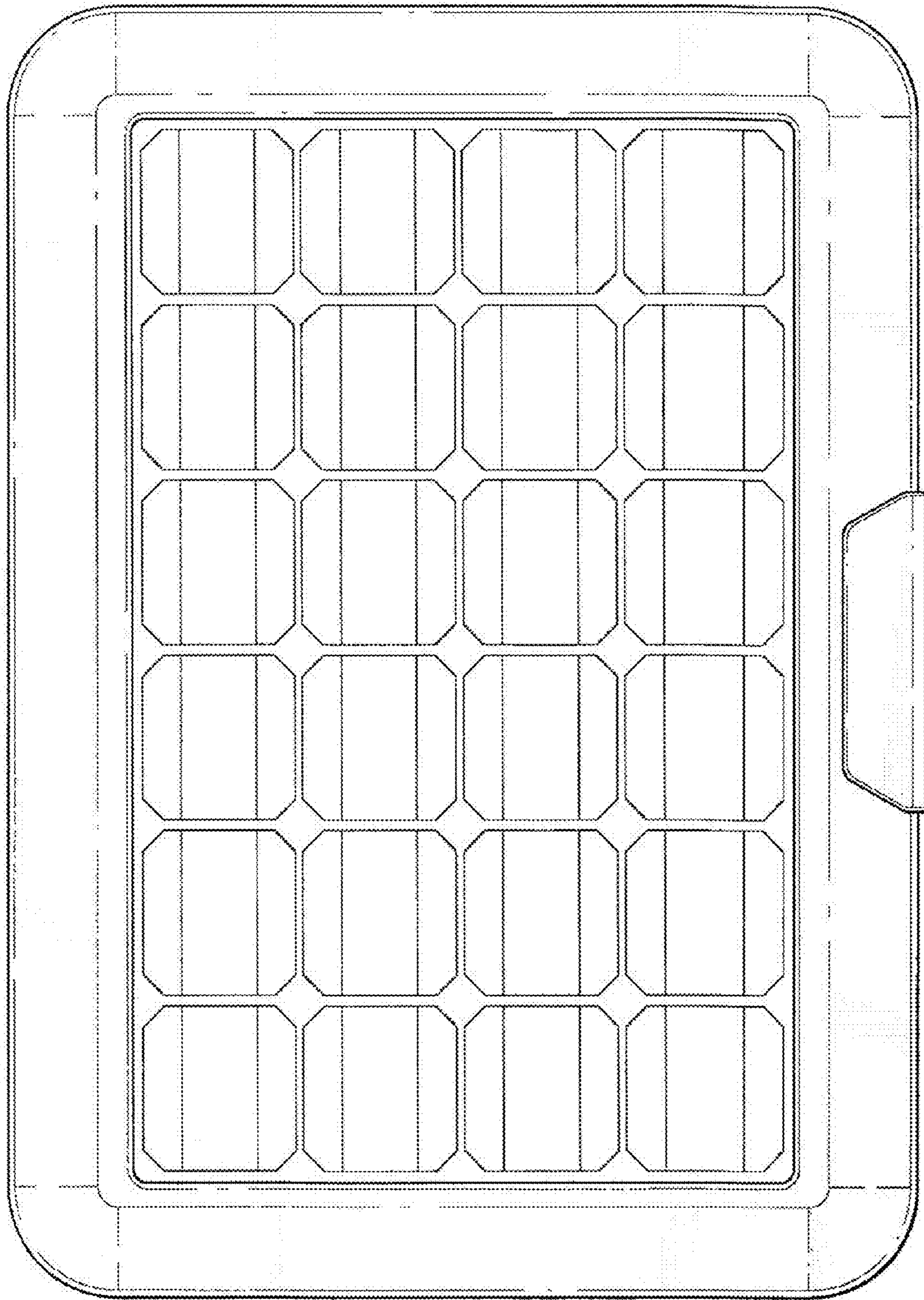


FIG. 3

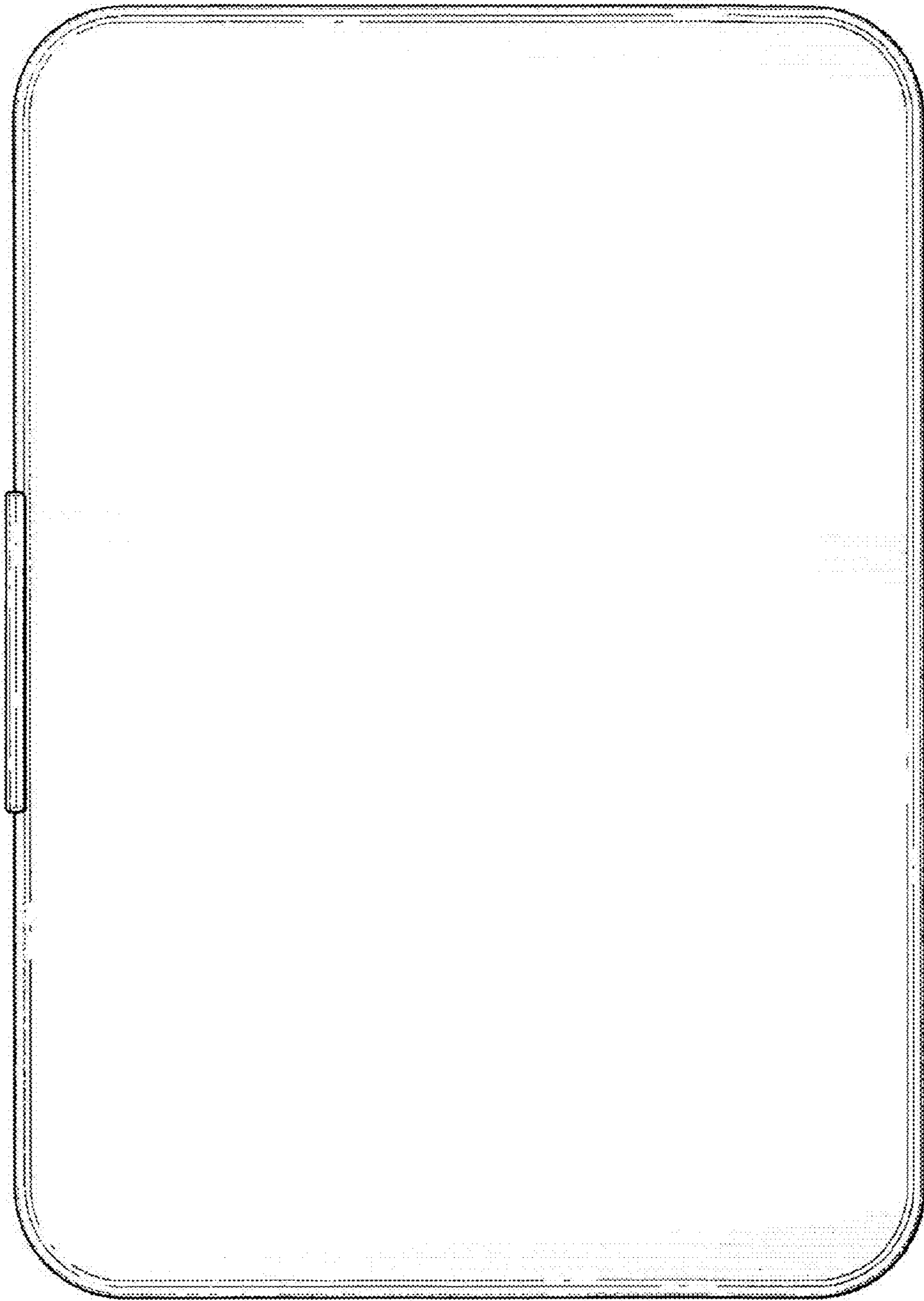


FIG. 4

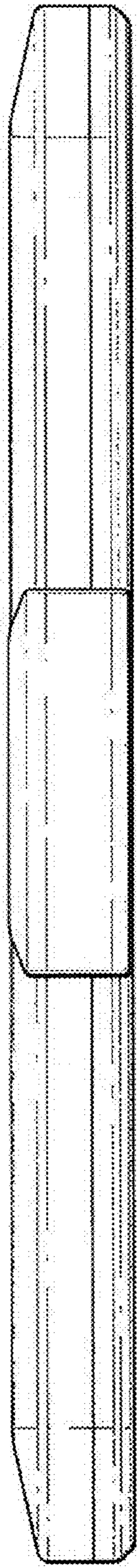


FIG. 5

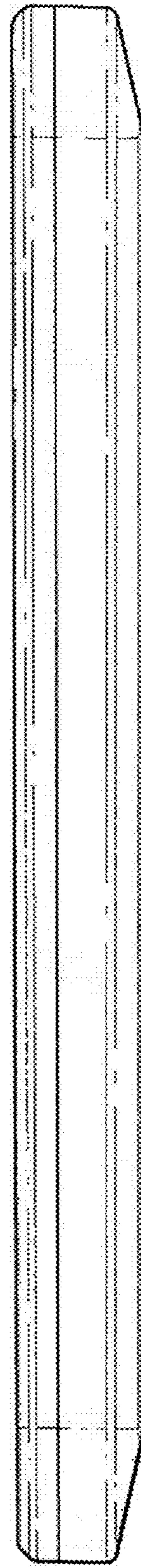


FIG. 6

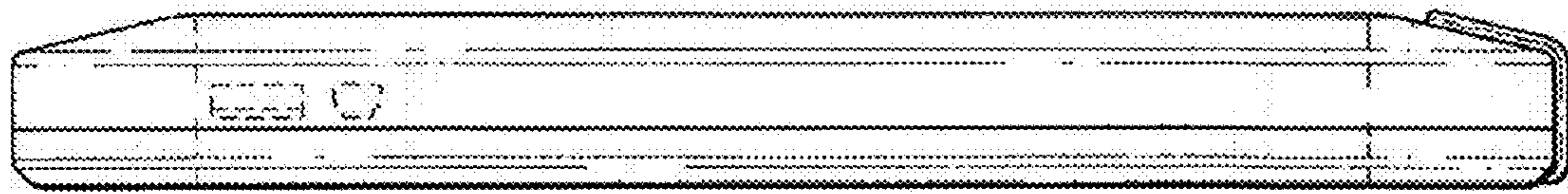


FIG. 7

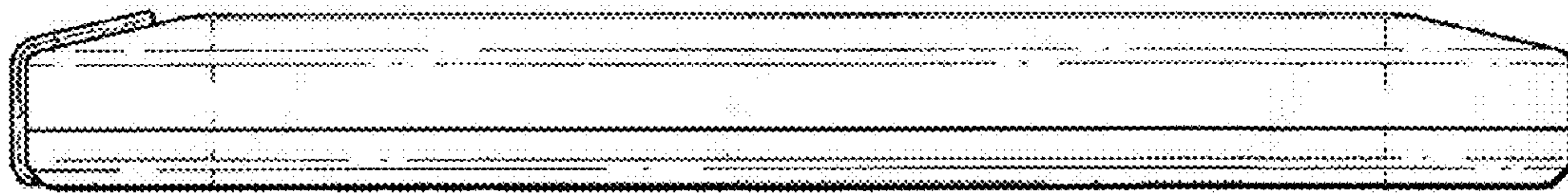


FIG. 8

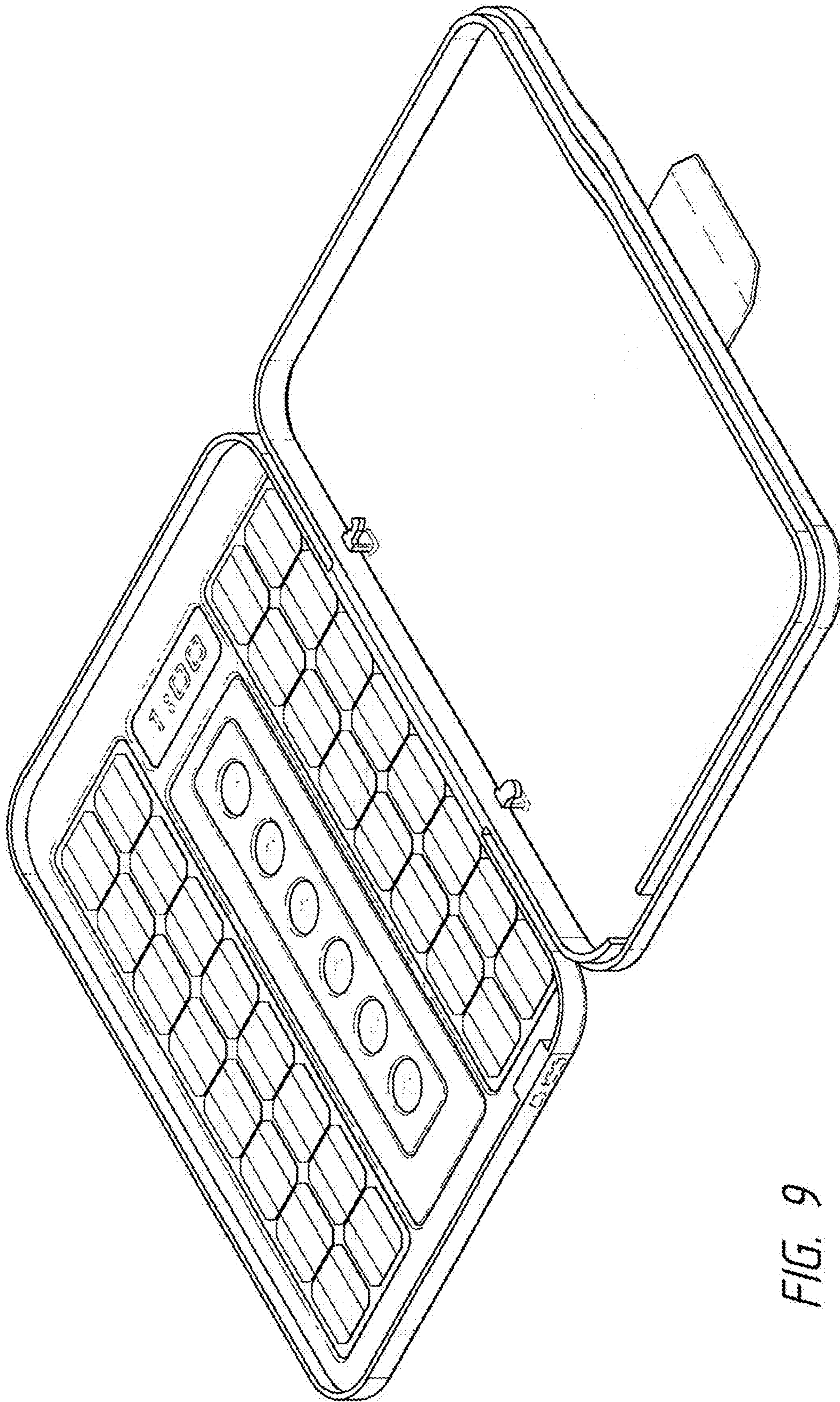


FIG. 9

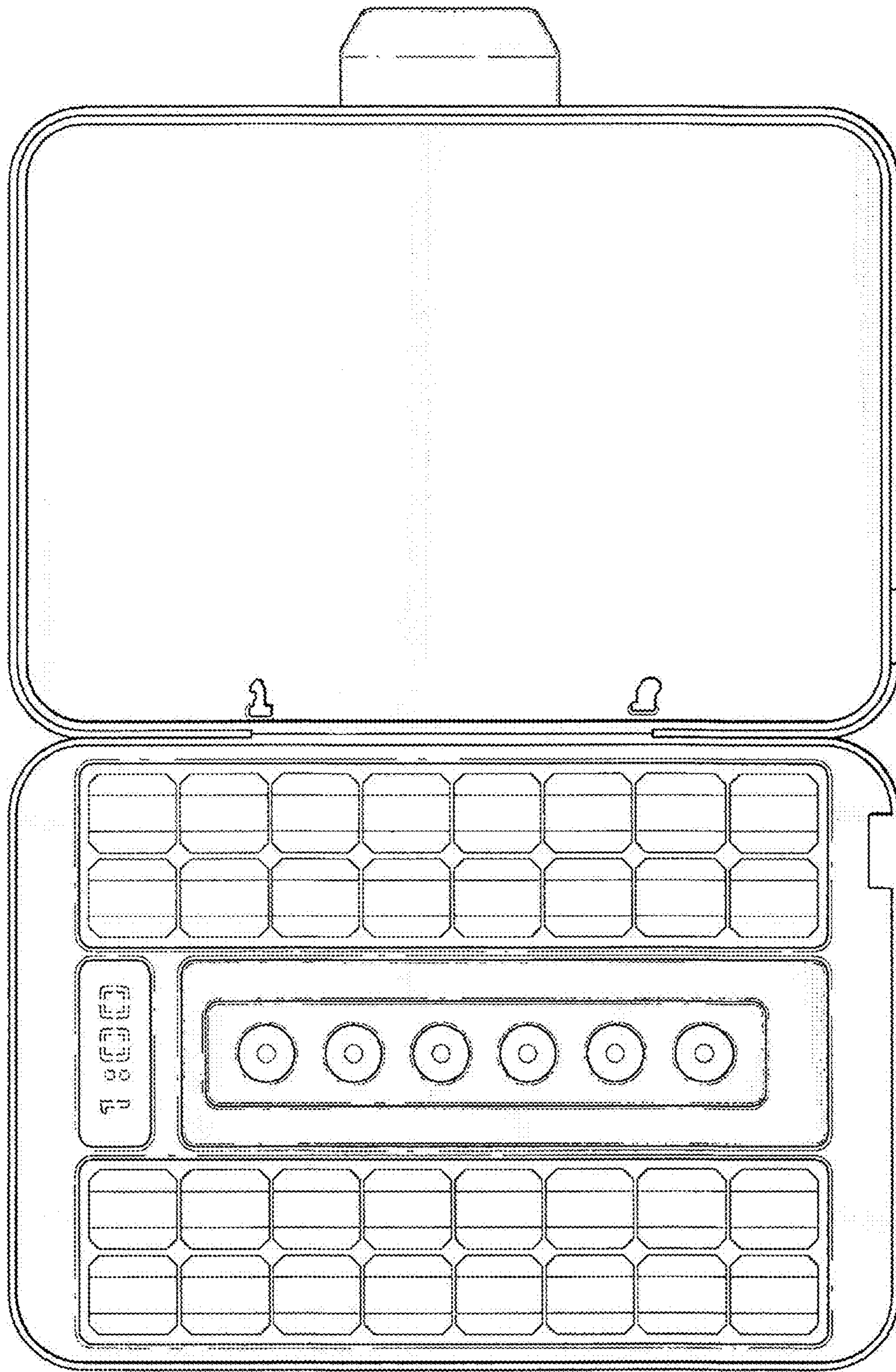


FIG. 10

