



US00D641688S

(12) **United States Design Patent**
Sakuraba

(10) **Patent No.:** **US D641,688 S**
(45) **Date of Patent:** **** Jul. 19, 2011**

(54) **TREAD PORTION OF AN AUTOMOBILE TIRE**

FOREIGN PATENT DOCUMENTS

JP 1240100 S 5/2005

* cited by examiner

(75) Inventor: **Kazuki Sakuraba**, Tokyo (JP)

Primary Examiner — Caron D Veynar

(73) Assignee: **Bridgestone Corporation**, Tokyo (JP)

Assistant Examiner — George D Kirschbaum

(**) Term: **14 Years**

(74) *Attorney, Agent, or Firm* — Sughrue Mion, PLLC

(21) Appl. No.: **29/337,792**

(57) **CLAIM**

The ornamental design for a tread portion of an automobile tire, as shown and described.

(22) Filed: **May 29, 2009**

(51) **LOC (9) Cl.** **12-15**

(52) **U.S. Cl.** **D12/594**

(58) **Field of Classification Search** D12/594–595,
D12/598; 152/209.1, 209.8, 209.9, 209.12,
152/209.18, 209.25, 209.22

See application file for complete search history.

DESCRIPTION

FIG. 1 is a front view of a tread portion of an automobile tire, the tread pattern repeating uniformly around the circumference of the tire;

FIG. 2 is a perspective view thereof;

FIG. 3 is a left side view thereof, the right side being a mirror image; and,

FIG. 4 is a fragmentary enlarged view showing the details of the tread portion thereof.

Broken lines in the drawing figures are intended to show environmental structure only, and form no part of the claimed design.

(56) **References Cited**

U.S. PATENT DOCUMENTS

D541,736 S *	5/2007	Helt	D12/600
D550,147 S *	9/2007	Radulescu	D12/545
D564,957 S *	3/2008	Yoshida et al.	D12/594
D600,198 S *	9/2009	Voss et al.	D12/585
D615,026 S *	5/2010	Nakano	D12/582

1 Claim, 4 Drawing Sheets

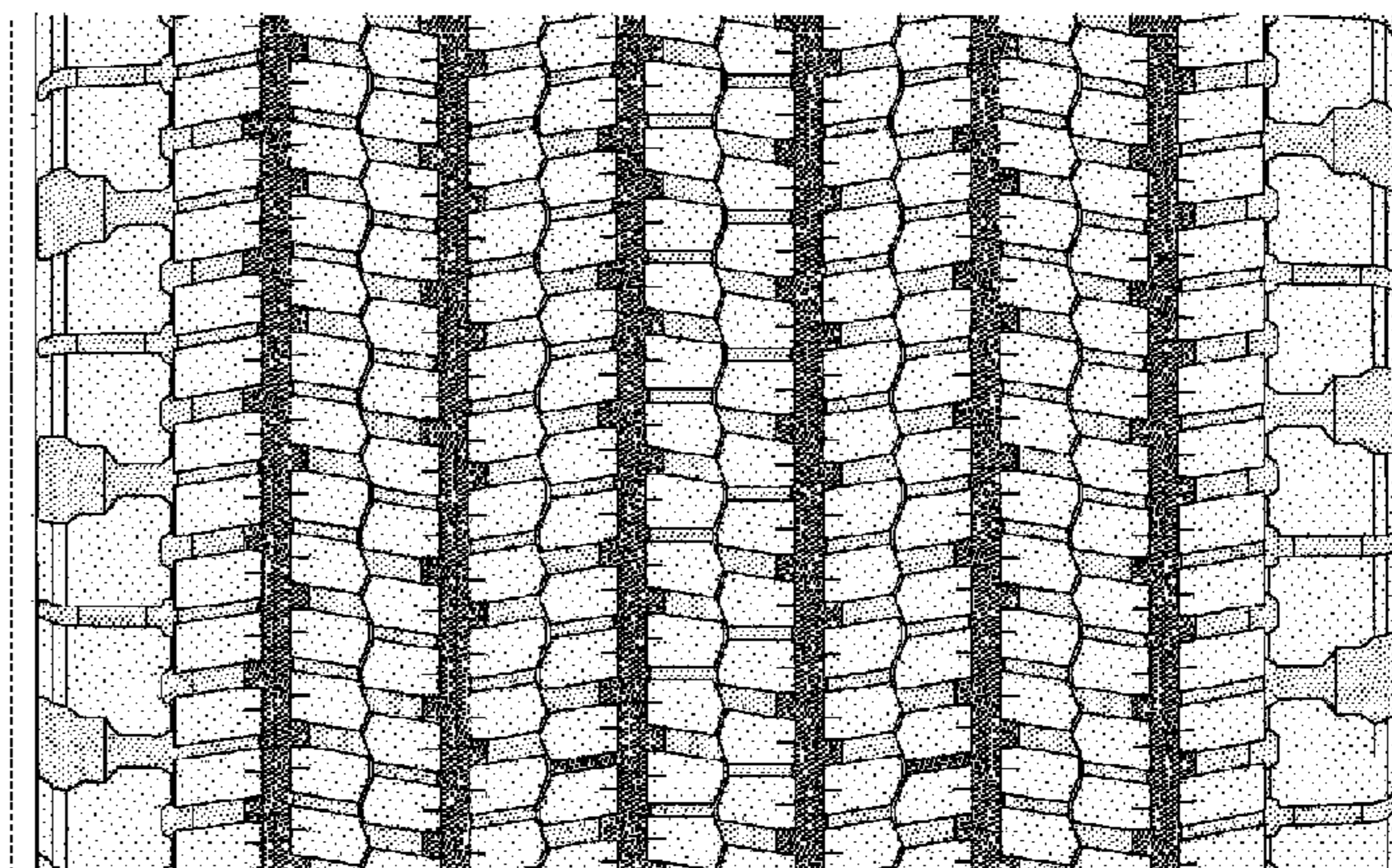
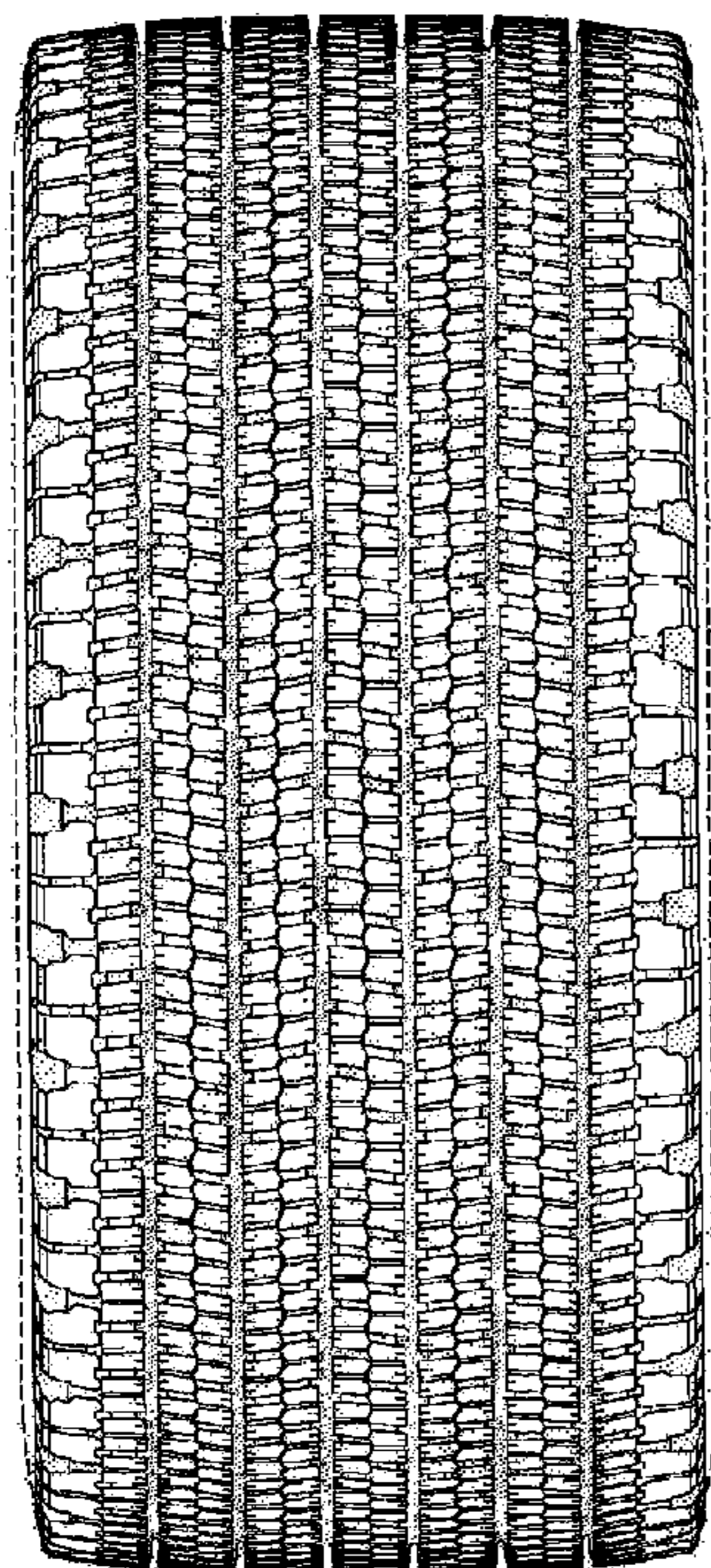


FIG. 1

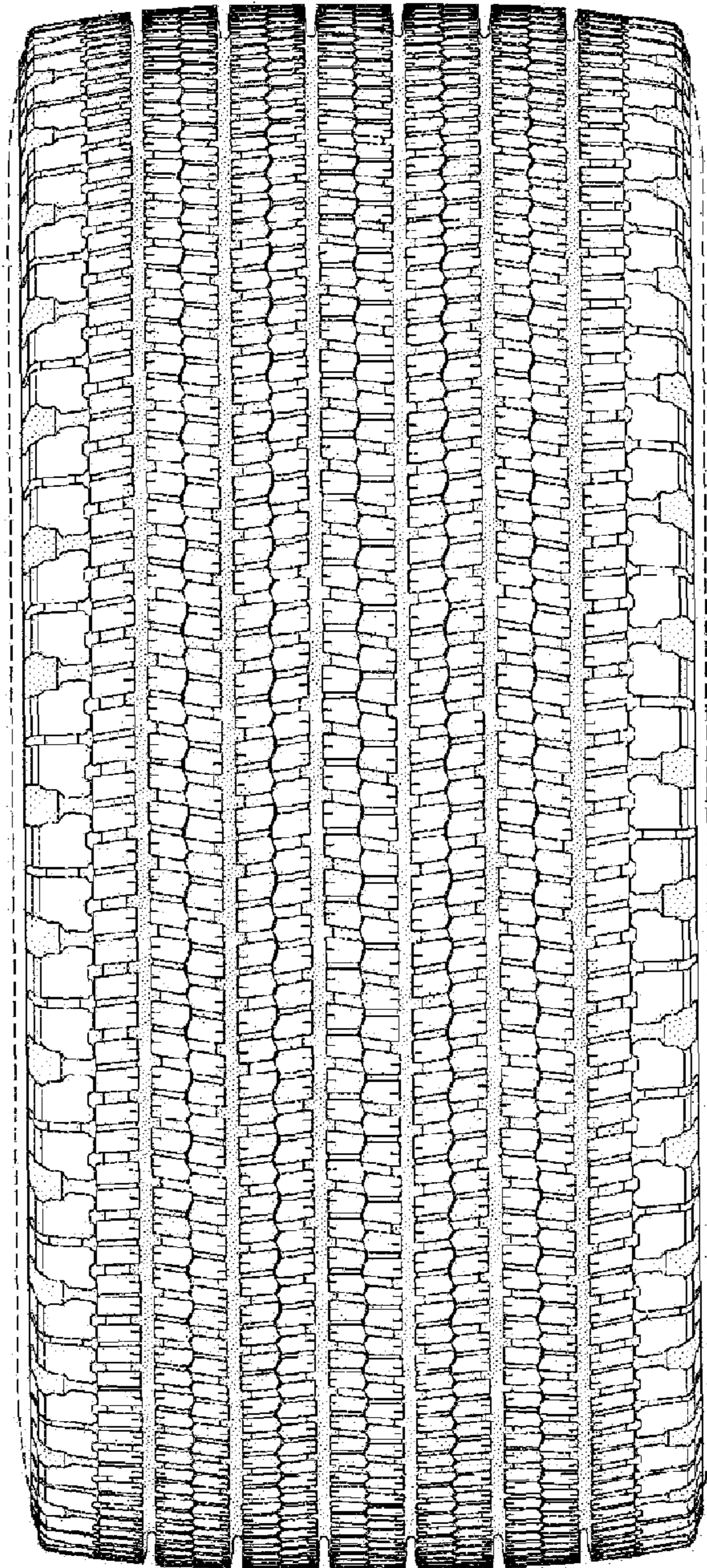


FIG. 2

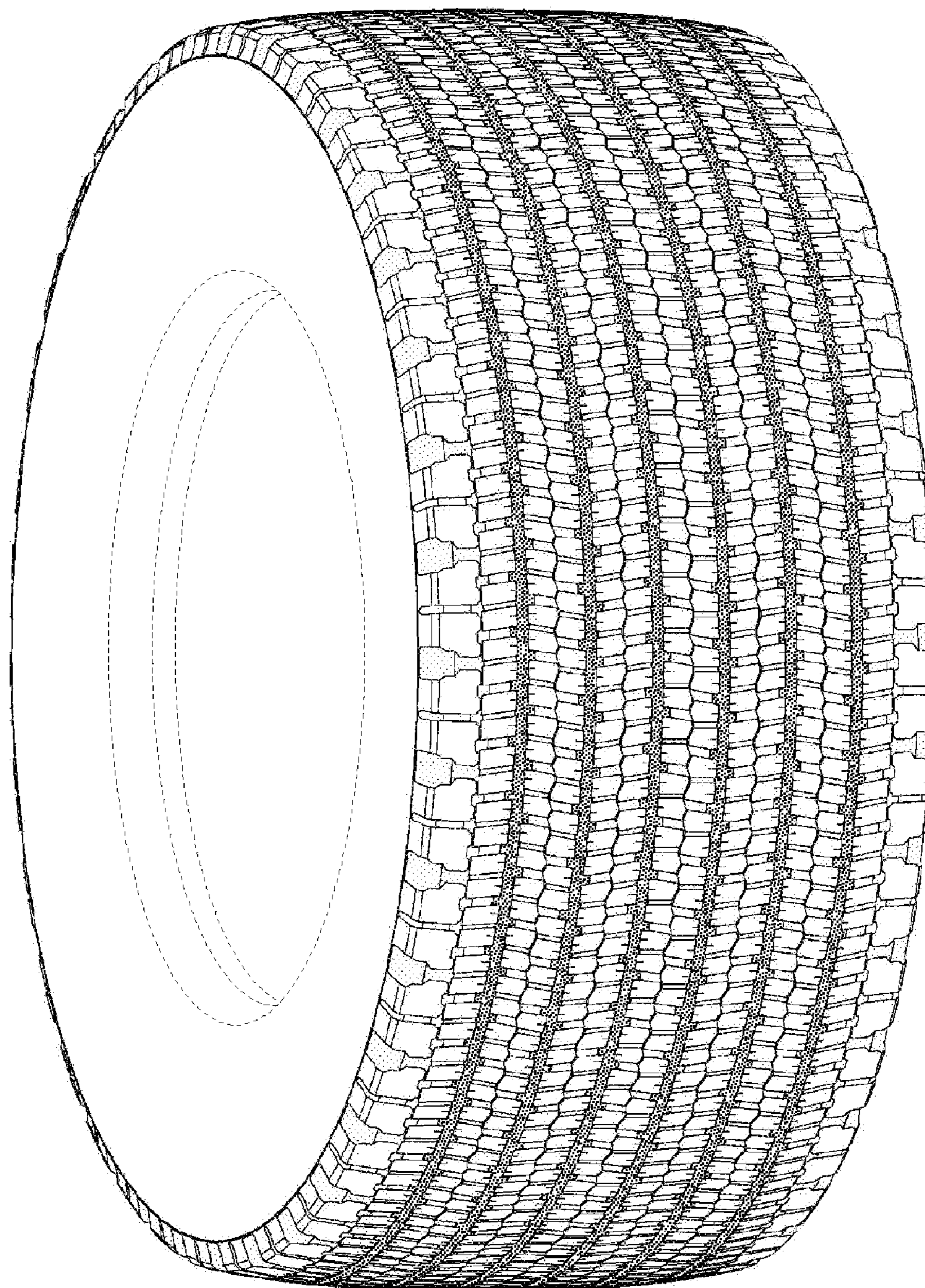


FIG. 3

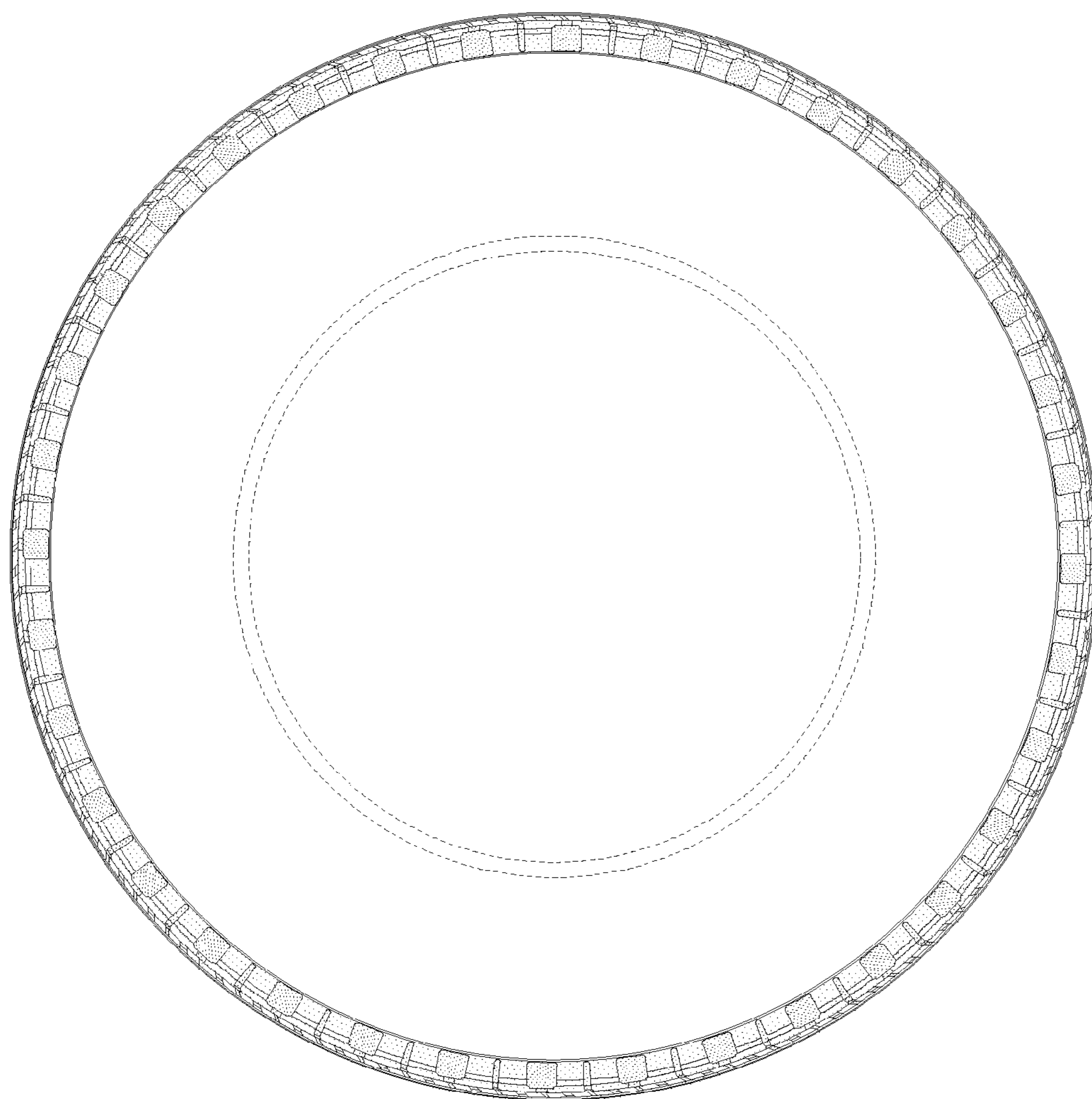


FIG. 4

