



US00D641682S

(12) **United States Design Patent**
Watkins et al.

(10) **Patent No.:** **US D641,682 S**
(45) **Date of Patent:** **** Jul. 19, 2011**

(54) **BOAT BOW**

(75) Inventors: **Scott Watkins**, Canton, GA (US);
Michael J. Ricciardi, Marietta, GA (US)

(73) Assignee: **Tennessee Watercraft, Inc.**, Vonore, TN (US)

(**) Term: **14 Years**

(21) Appl. No.: **29/357,377**

(22) Filed: **Mar. 11, 2010**

Related U.S. Application Data

(63) Continuation-in-part of application No. 29/342,040, filed on Aug. 17, 2009, now Pat. No. Des. 634,695.

(51) **LOC (9) Cl.** **12-06**

(52) **U.S. Cl.** **D12/317**

(58) **Field of Classification Search** D12/300,
D12/307, 317, 316, 302, 303, 304, 310-314;
114/355-358, 39.11-39.15, 39.21-39.32,
114/61.1, 61.2, 61.32, 61.33, 62, 271, 273,
114/288-291

See application file for complete search history.

(56) **References Cited**

U.S. PATENT DOCUMENTS

D488,117 S * 4/2004 Bills et al. D12/300
D565,495 S 4/2008 Fafard et al.

D566,643 S 4/2008 Fafard et al.
D581,340 S 11/2008 Fafard et al.
D607,805 S * 1/2010 Chittum et al. D12/313

OTHER PUBLICATIONS

Watkins et al.; "Boat Bow"; U.S. Appl. No. 29/342,040, filed Aug. 17, 2009.

* cited by examiner

Primary Examiner — Lisa Lichtenstein

(74) *Attorney, Agent, or Firm* — Keating & Bennett, LLP

(57) **CLAIM**

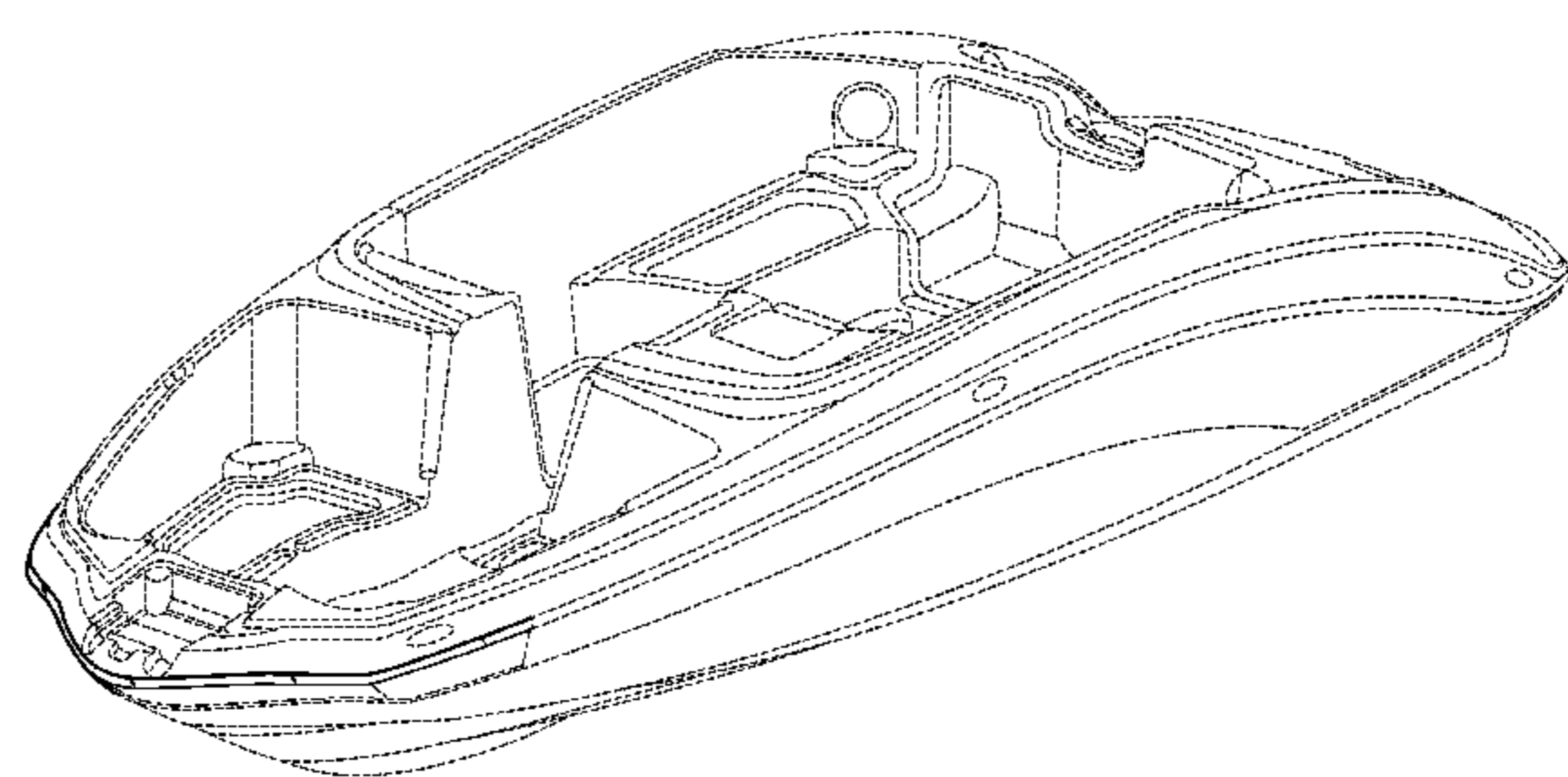
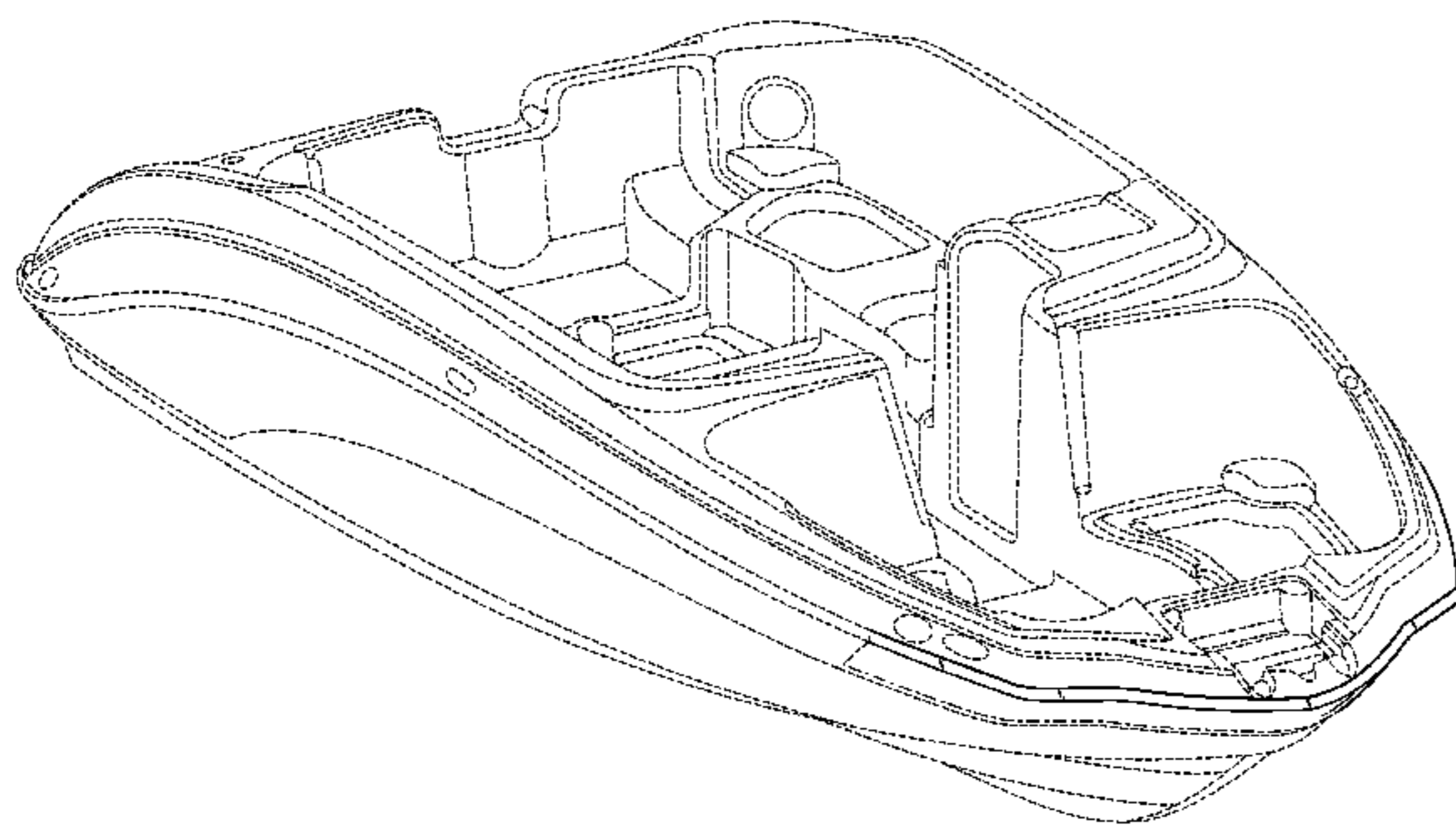
The ornamental design for a boat bow, as shown and described.

DESCRIPTION

FIG. 1 is a front, top perspective view of a boat bow according to our new design;
FIG. 2 is another front, top perspective view thereof;
FIG. 3 is a top view thereof;
FIG. 4 is a bottom view thereof;
FIG. 5 is a front, bottom perspective view thereof;
FIG. 6 is another front, bottom perspective view thereof;
FIG. 7 is a side view thereof; and,
FIG. 8 is another side view thereof.

The broken line showing of portions of a boat is included for the purpose of illustrating environmental structure and forms no part of the claimed design.

1 Claim, 8 Drawing Sheets



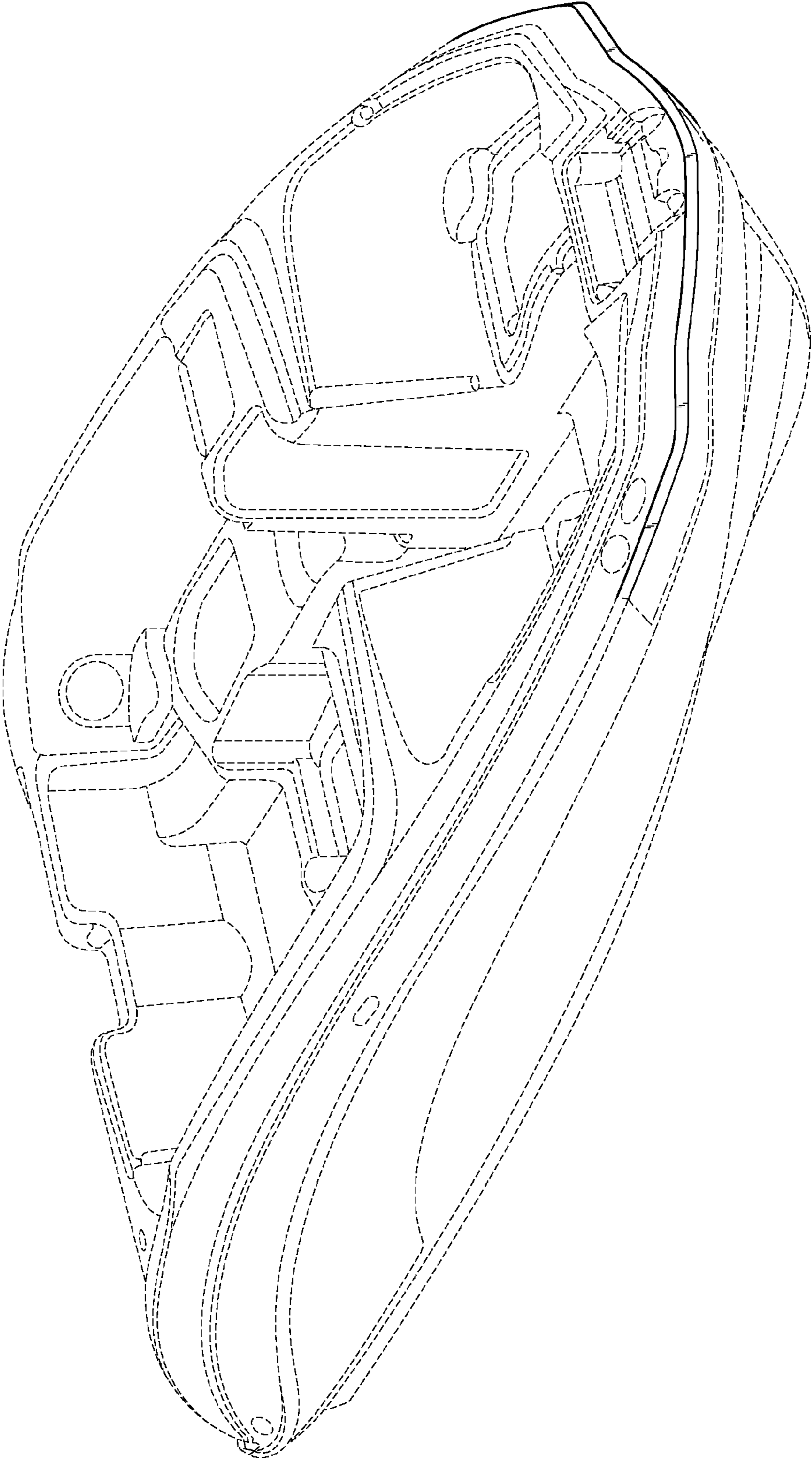


FIG. 1

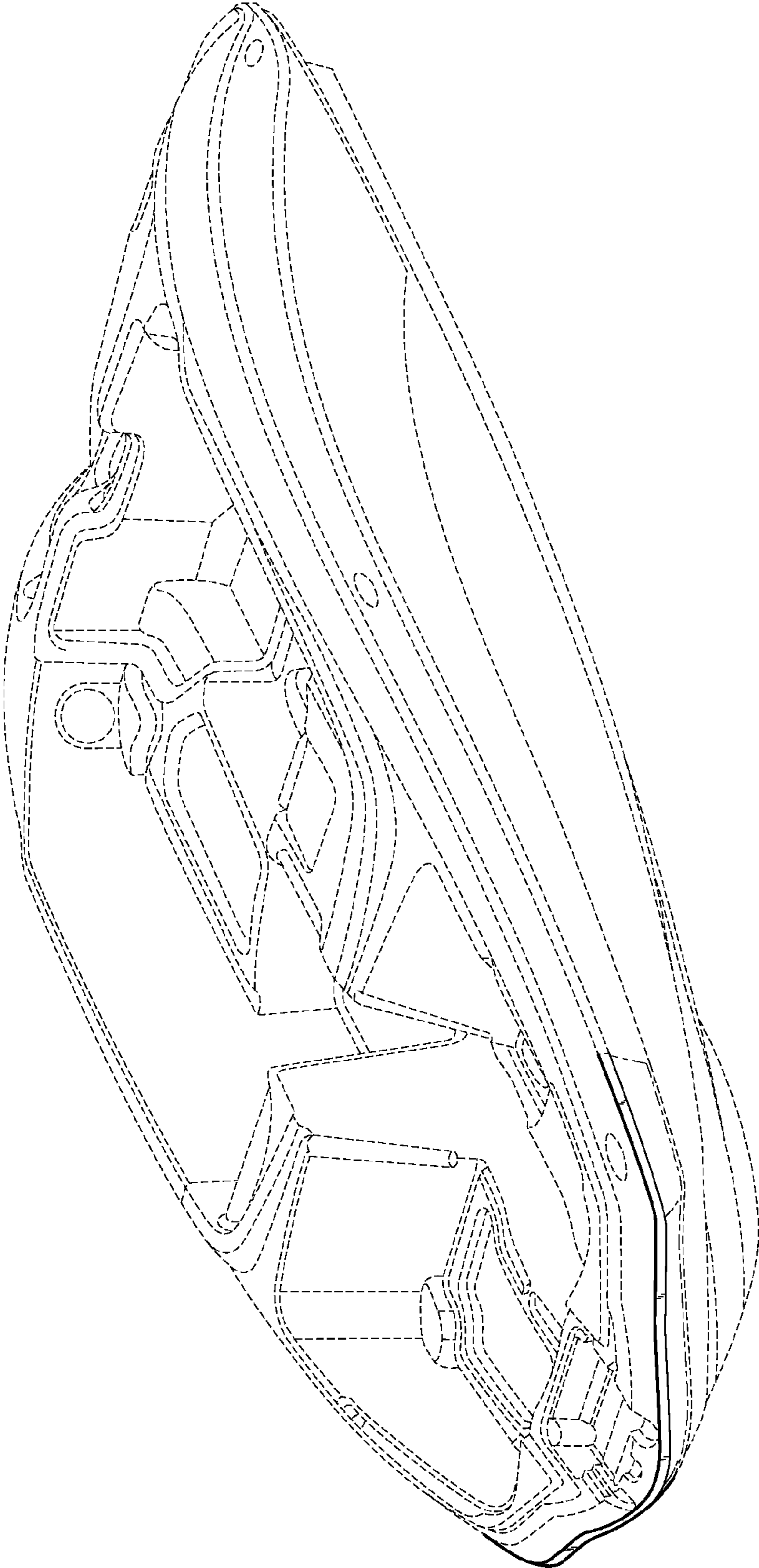


FIG. 2

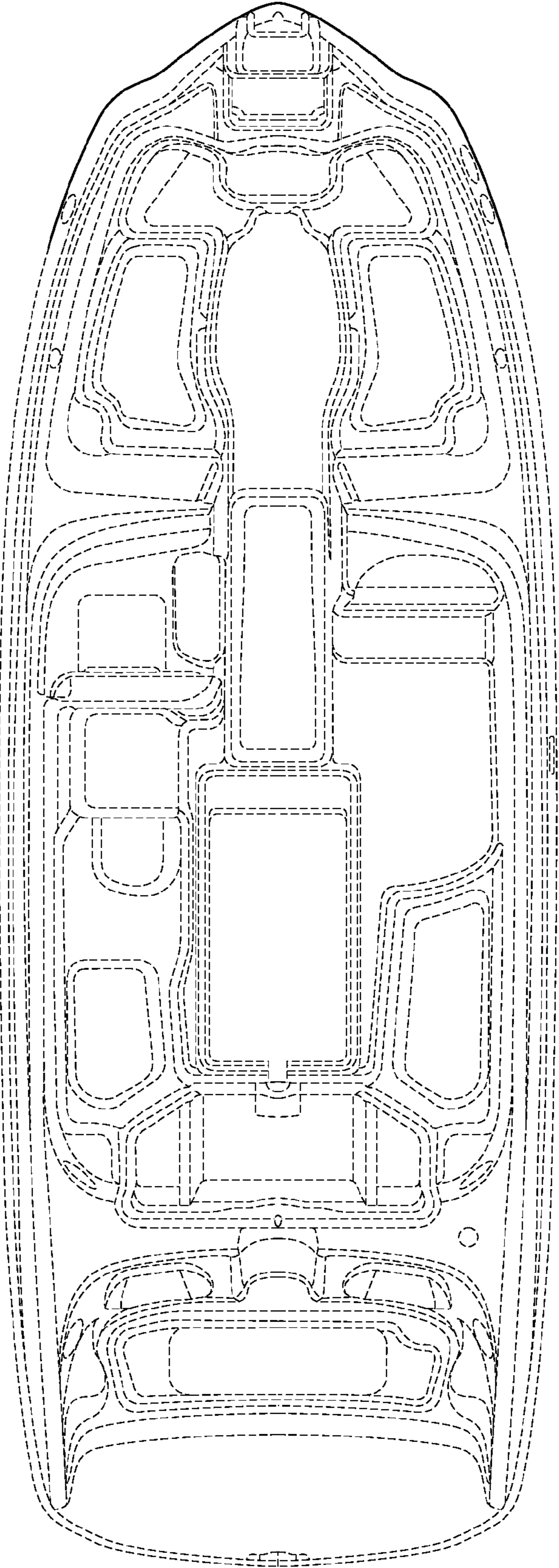


FIG. 3

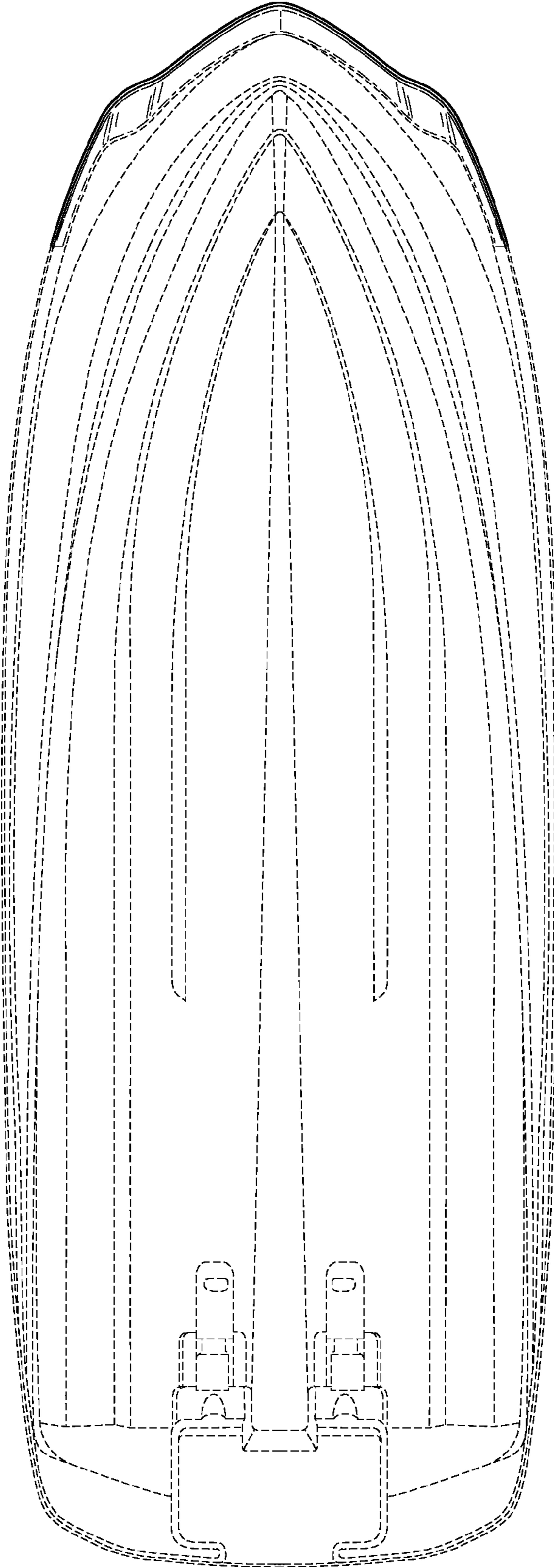


FIG. 4

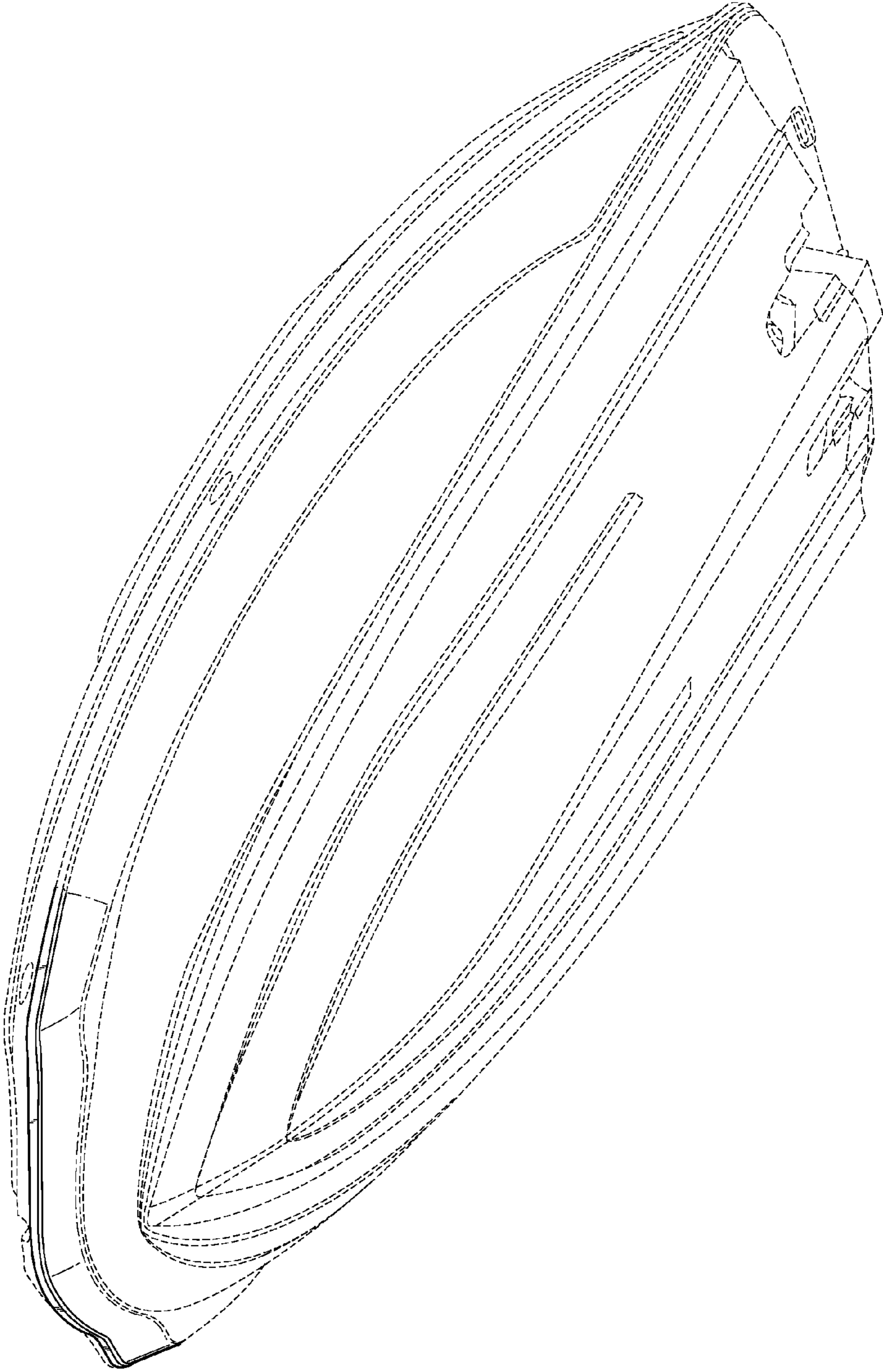


FIG. 5

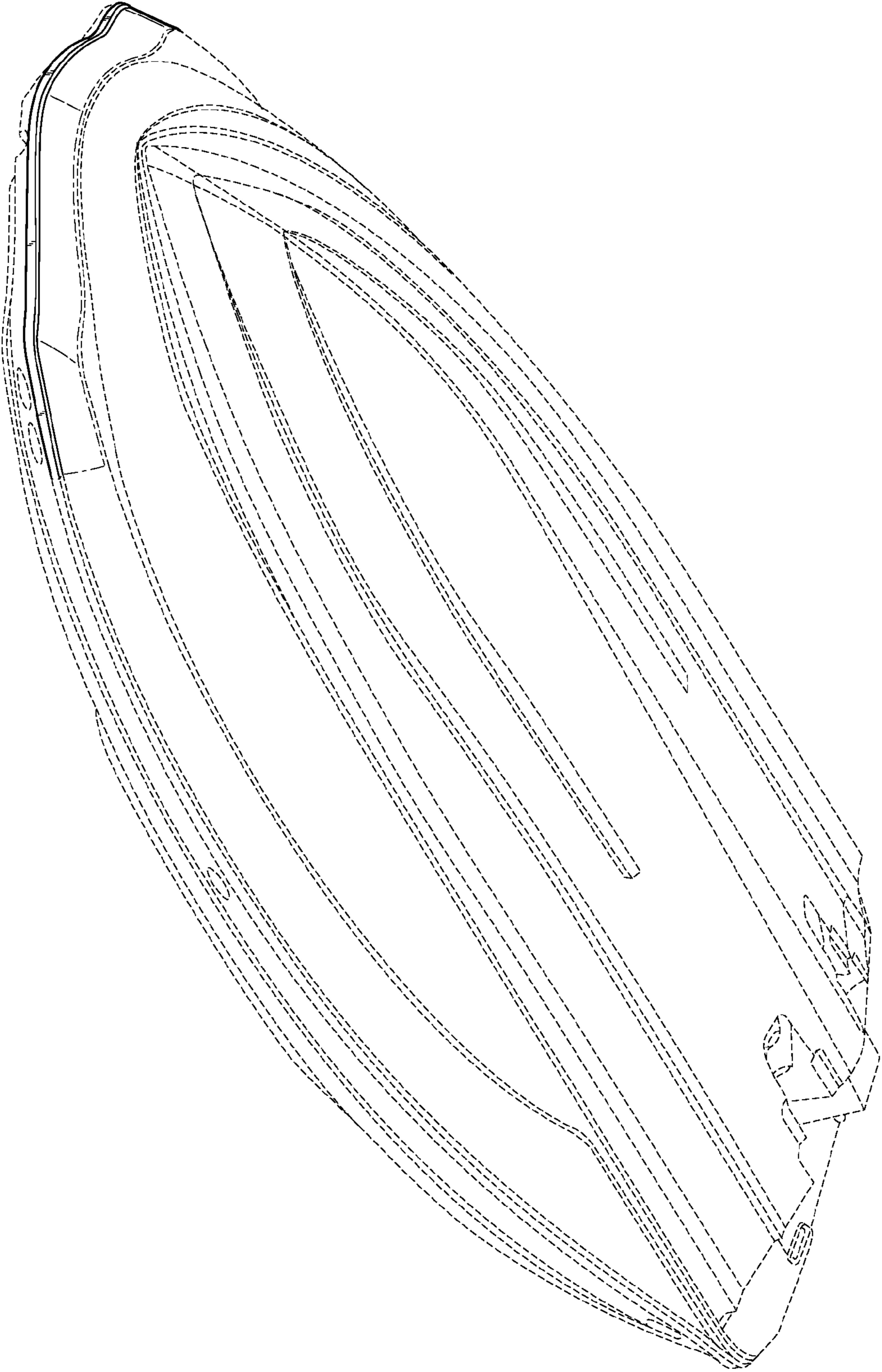


FIG. 6

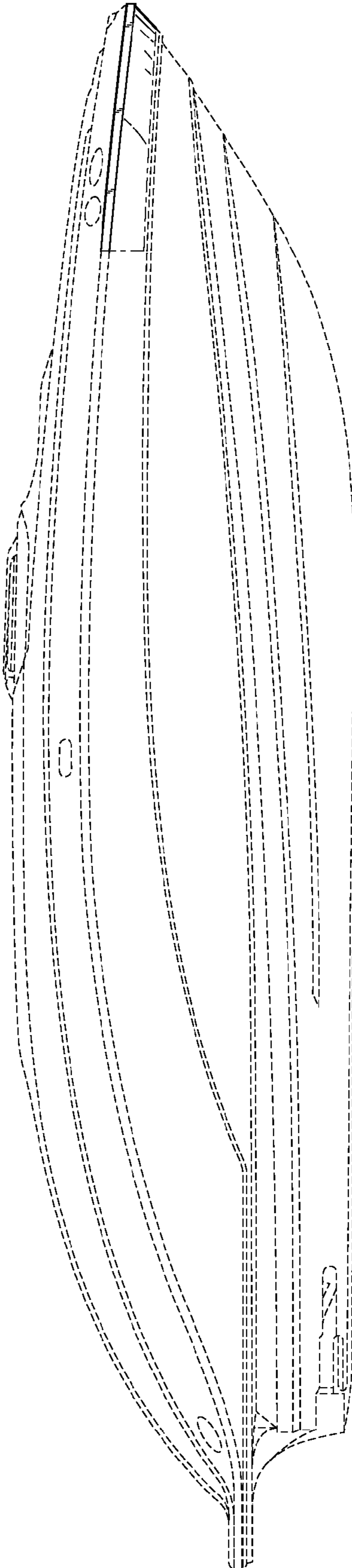


FIG. 7

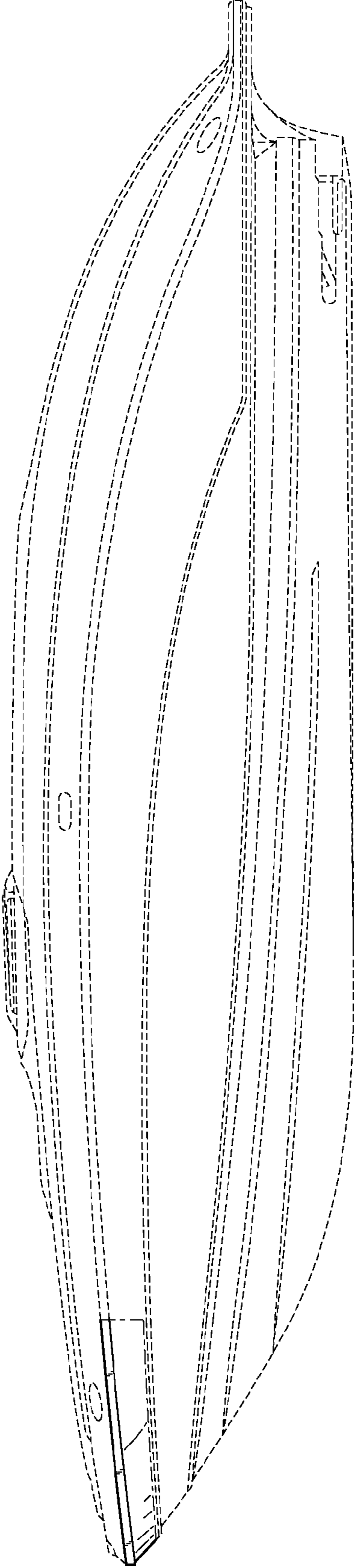


FIG. 8