

US00D641681S

(12) **United States Design Patent**  
**Toyohara**

(10) **Patent No.:** **US D641,681 S**

(45) **Date of Patent:** **\*\* Jul. 19, 2011**

(54) **SHIP'S HULL**

(76) Inventor: **Yasuo Toyohara**, Nagoyashi (JP)

(\*\*) Term: **14 Years**

(21) Appl. No.: **29/367,926**

(22) Filed: **Aug. 16, 2010**

(30) **Foreign Application Priority Data**

Jun. 16, 2010 (JP) ..... 2010-014758

(51) **LOC (9) Cl.** ..... **12-06**

(52) **U.S. Cl.** ..... **D12/300; D12/317**

(58) **Field of Classification Search** ..... D12/300,  
D12/302, 303, 304, 307, 310-314, 316, 317,  
D12/318; 114/39.11-39.15, 39.21-39.32,  
114/61.1, 61.2, 61.32, 61.33, 62, 343, 355-358,  
114/362, 371, 373, 248, 249, 263, 288-292  
See application file for complete search history.

(56) **References Cited**

**U.S. PATENT DOCUMENTS**

5,255,625 A \* 10/1993 Hattori ..... 114/248  
5,353,730 A \* 10/1994 Talbot ..... 114/248  
5,372,083 A \* 12/1994 Hattori ..... 114/248

5,388,544 A \* 2/1995 Kobayashi ..... 114/248  
5,605,110 A \* 2/1997 Talbot ..... 114/248  
D385,844 S \* 11/1997 Van Skyhawk et al. .... D12/300  
D387,324 S \* 12/1997 Beaulac et al. .... D12/300  
D390,184 S \* 2/1998 Van Skyhawk et al. .... D12/300

\* cited by examiner

*Primary Examiner* — Cynthia M Chin

(74) *Attorney, Agent, or Firm* — Sughrue Mion, PLLC

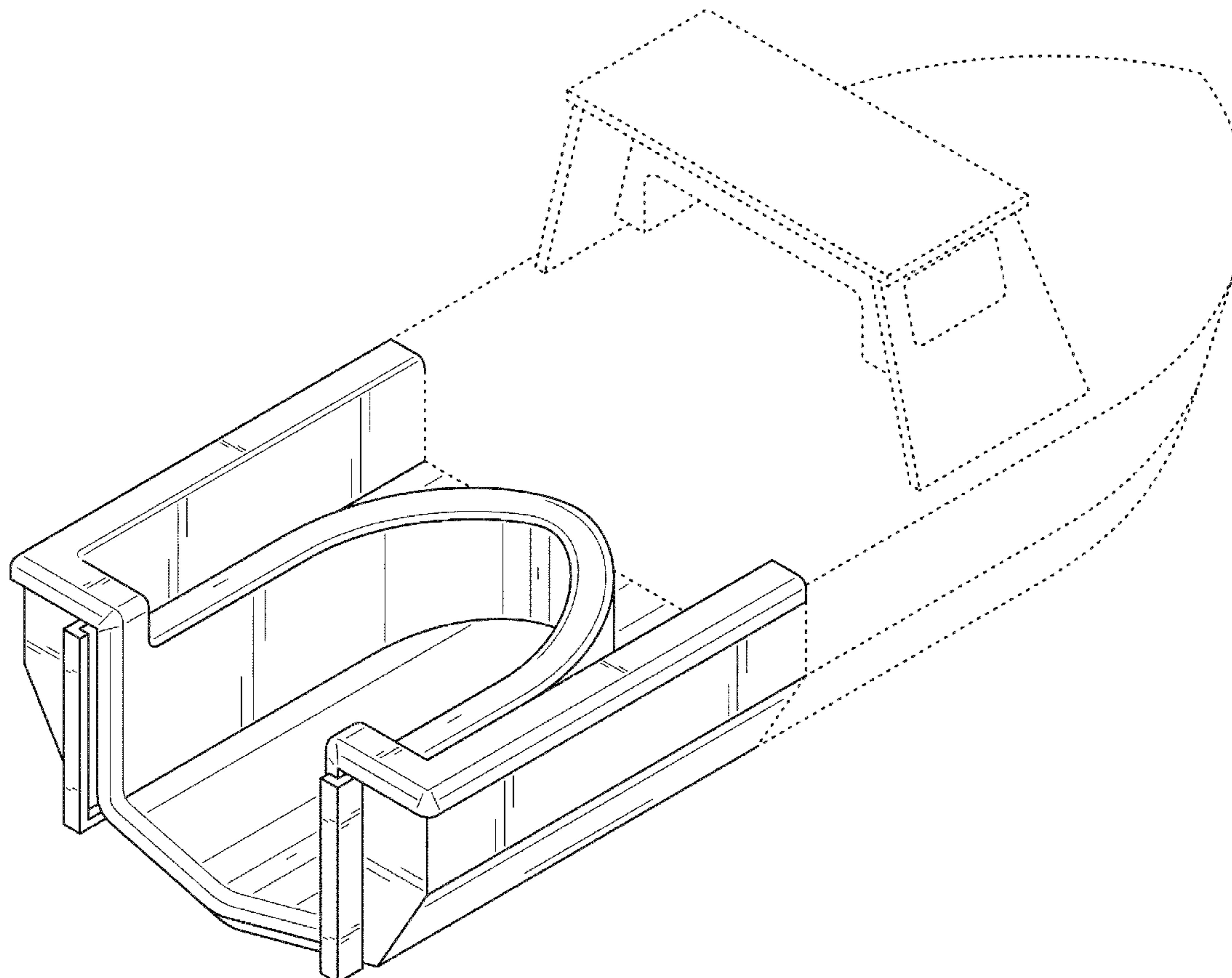
(57) **CLAIM**

The ornamental design for a ship's hull, as shown and described.

**DESCRIPTION**

FIG. 1 is a top, rear, and right side perspective view of a ship's hull showing my new design;  
FIG. 2 is a rear side elevation view of the ship's hull;  
FIG. 3 is a front side elevation view of the ship's hull;  
FIG. 4 is a left side elevation view of the ship's hull;  
FIG. 5 is a right side elevation view of the ship's hull;  
FIG. 6 is a top plan view of the ship's hull; and,  
FIG. 7 is a bottom plan view of the ship's hull.  
The broken lines showing portions of the ship's hull are included for the purpose of illustrating environment and form no part of the claimed design.

**1 Claim, 6 Drawing Sheets**



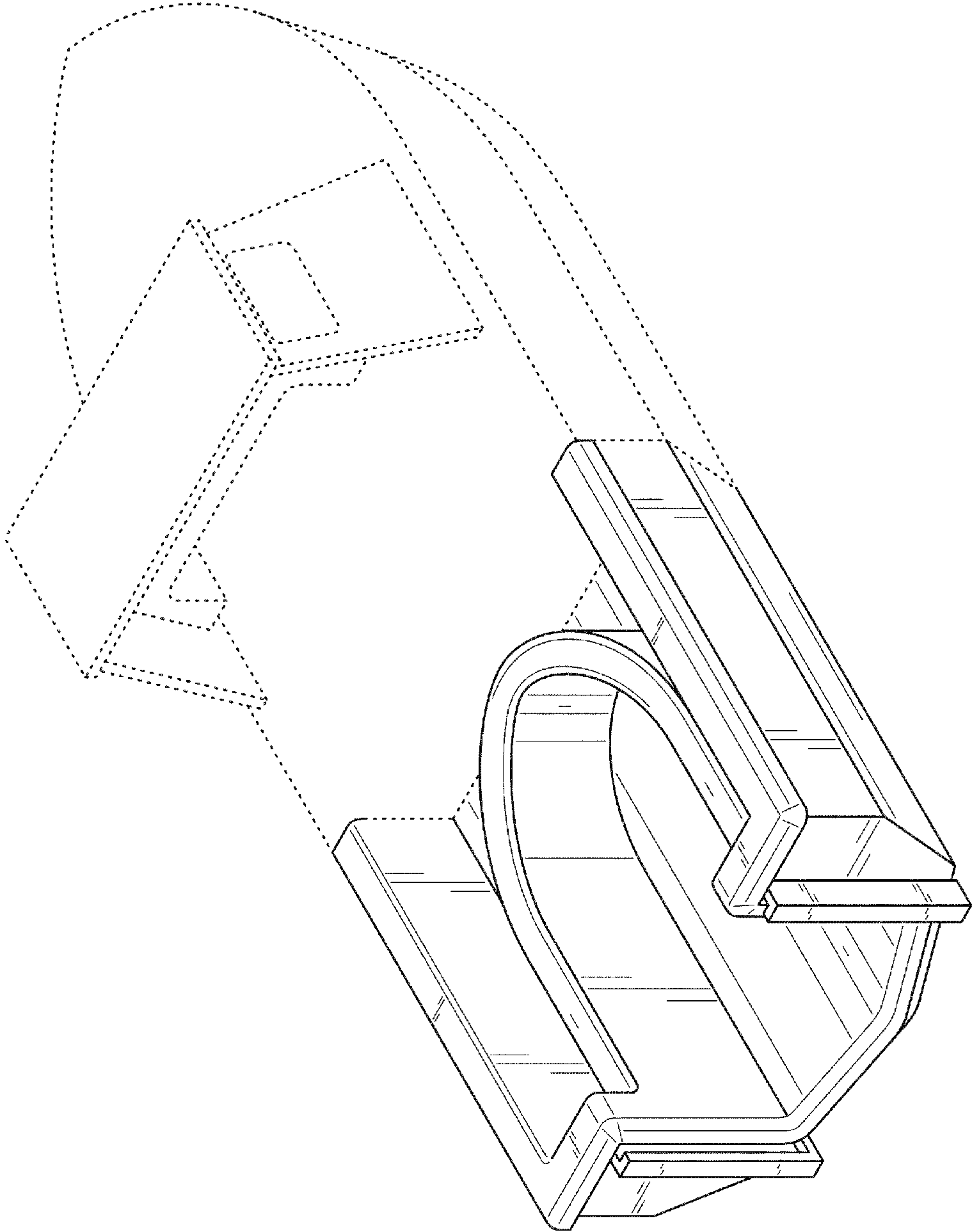


FIG. 1

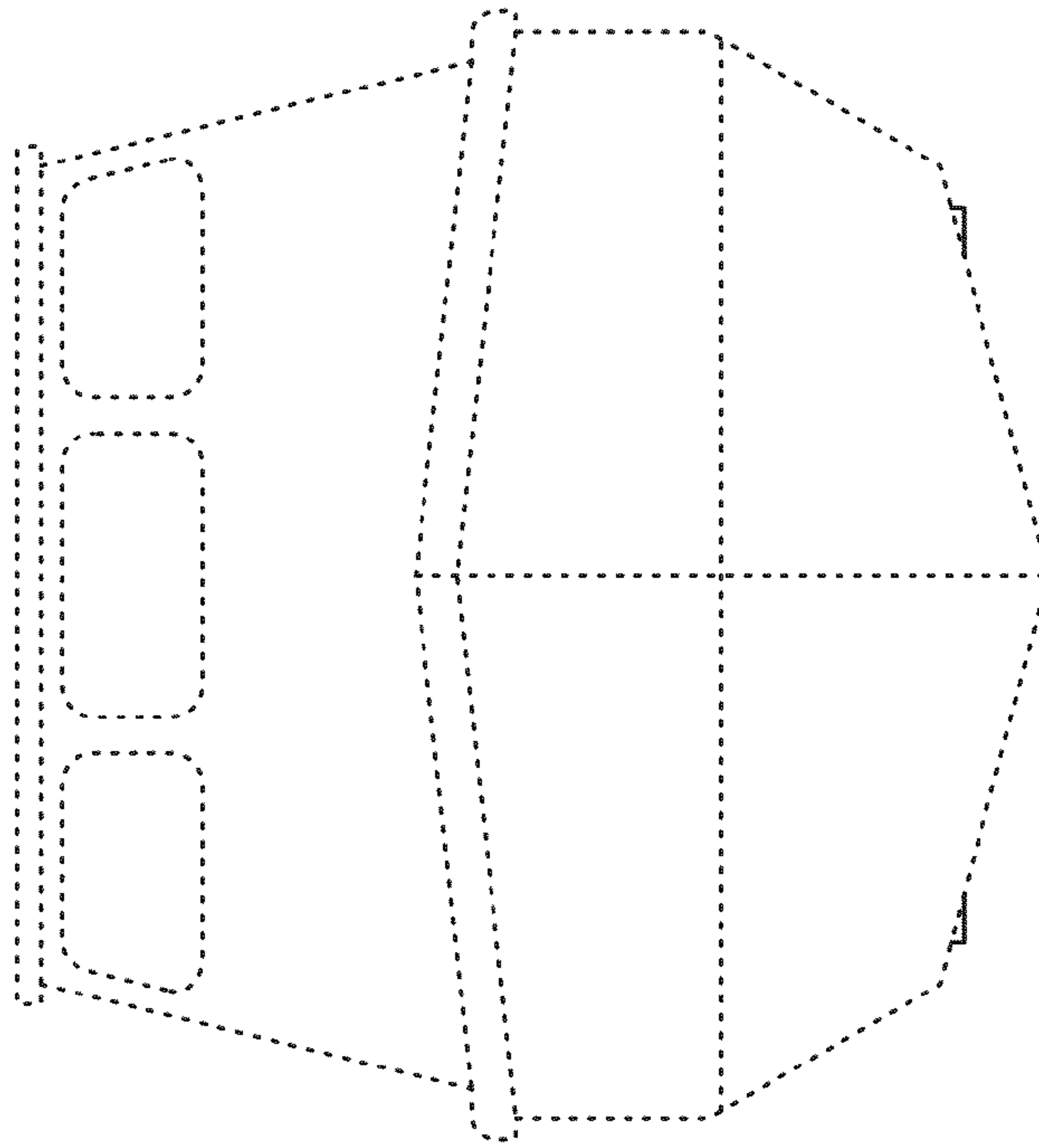


FIG. 3

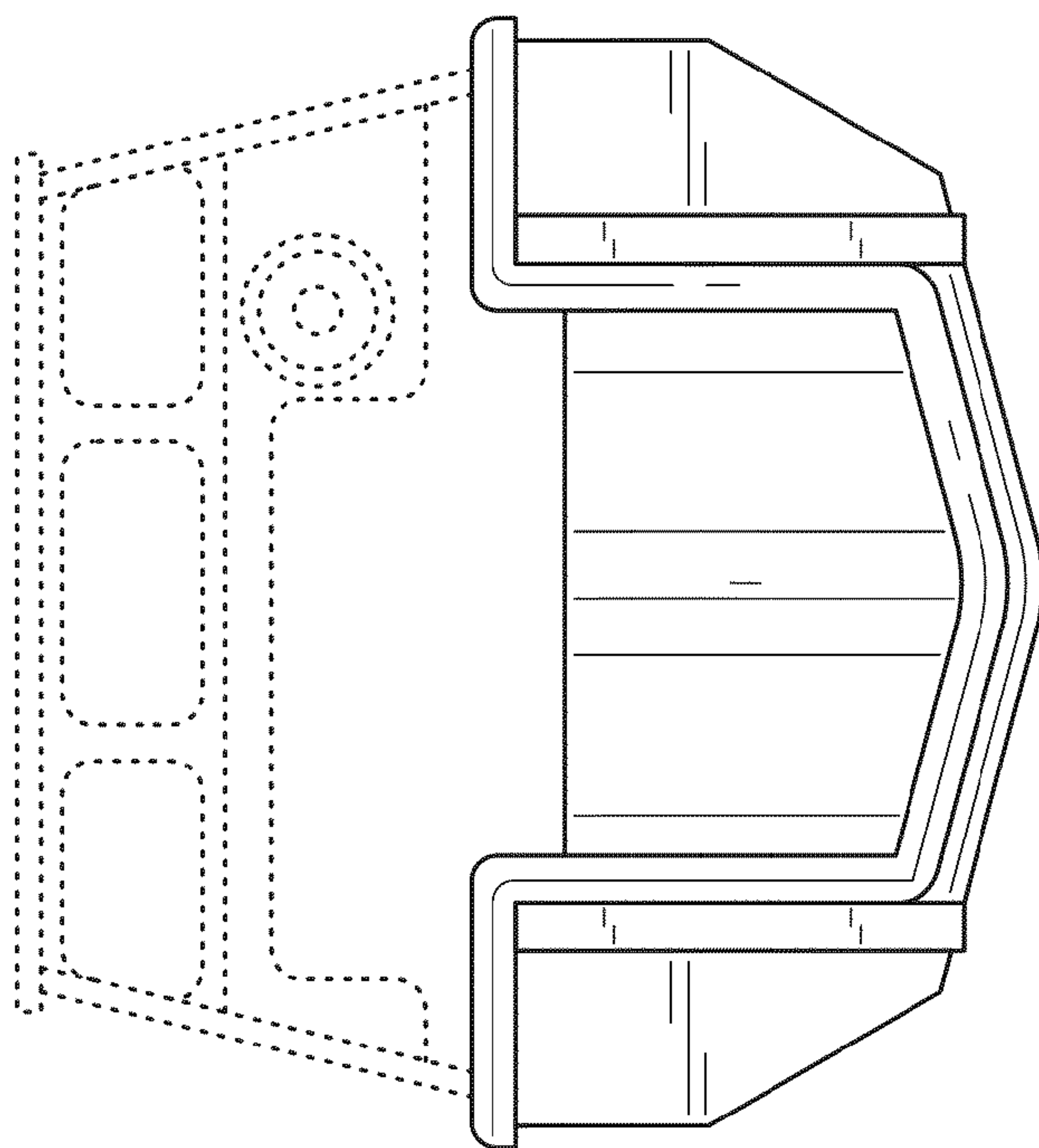


FIG. 2

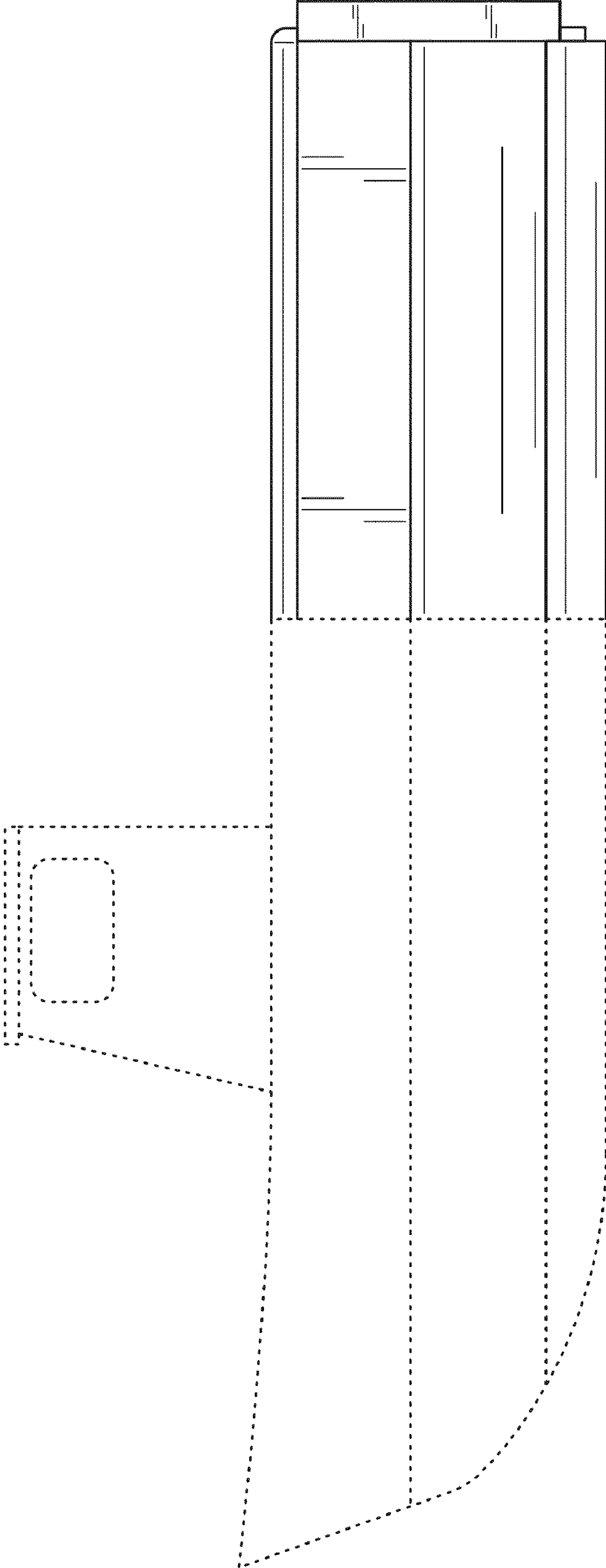


FIG. 4

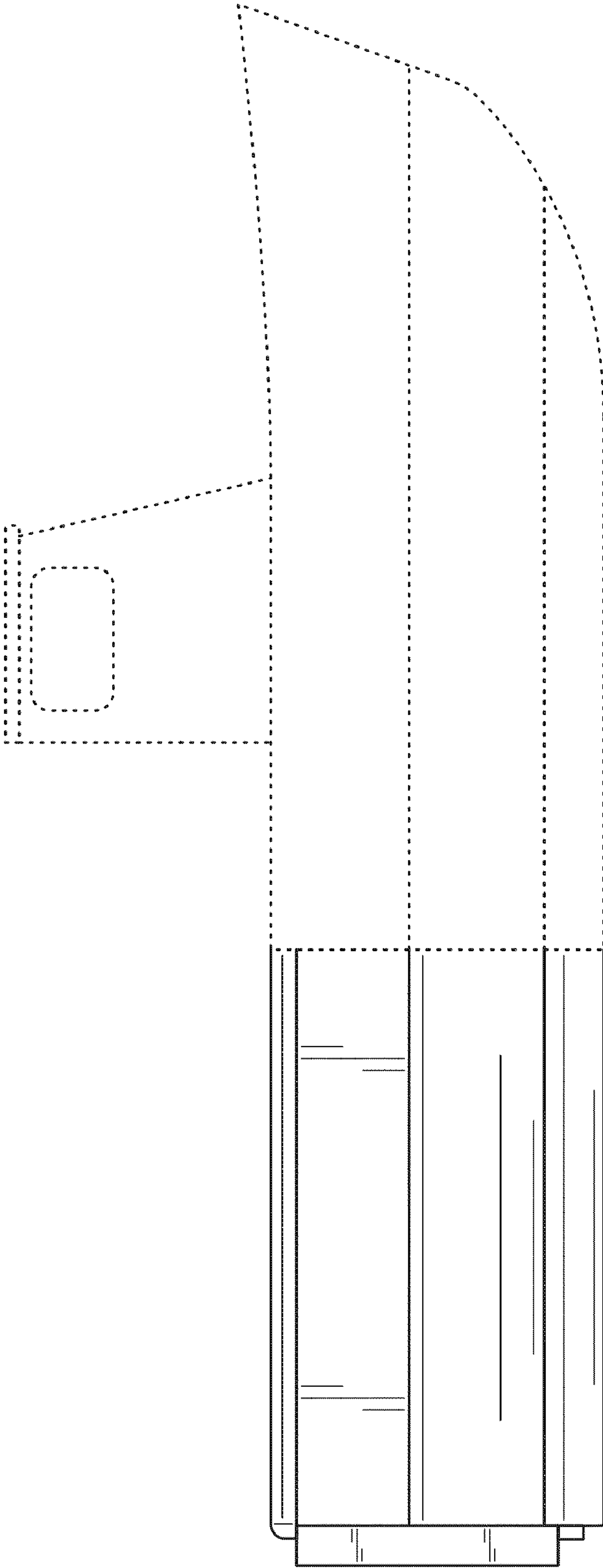


FIG. 5



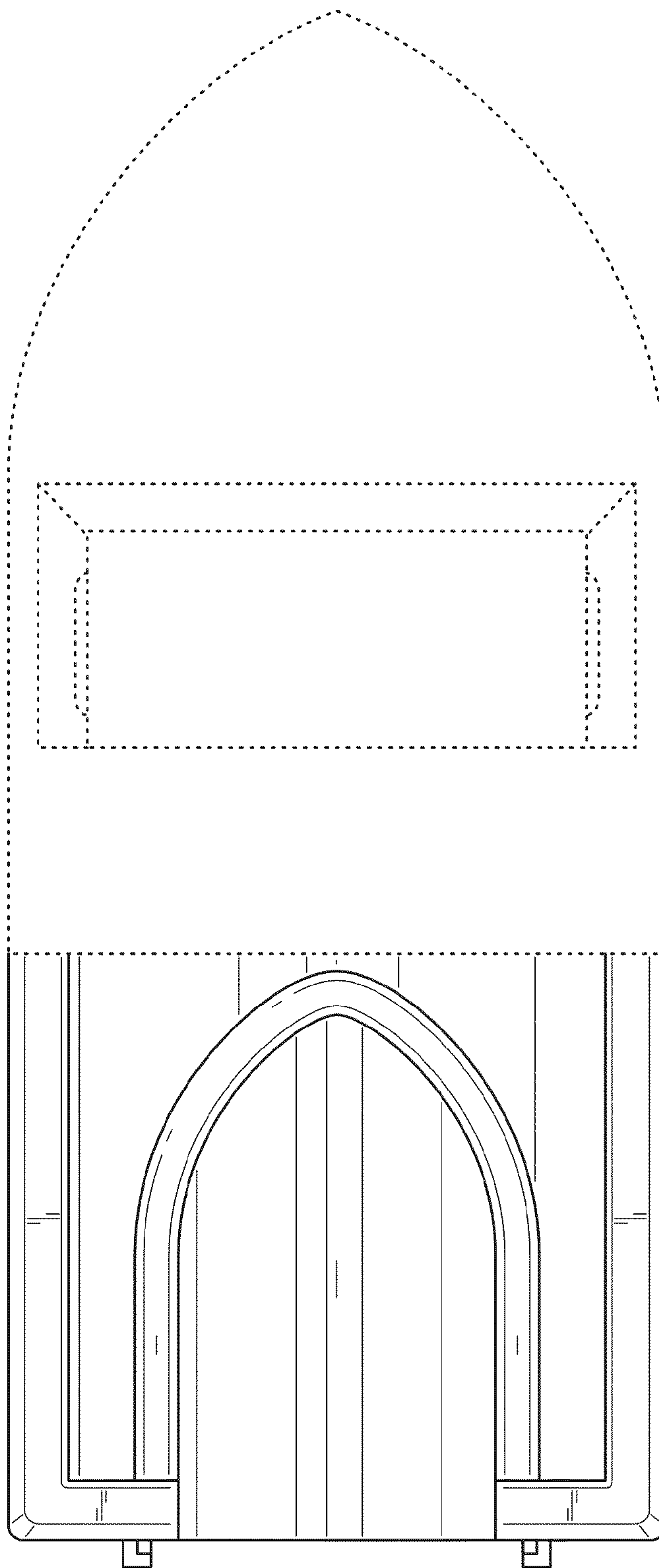


FIG. 6

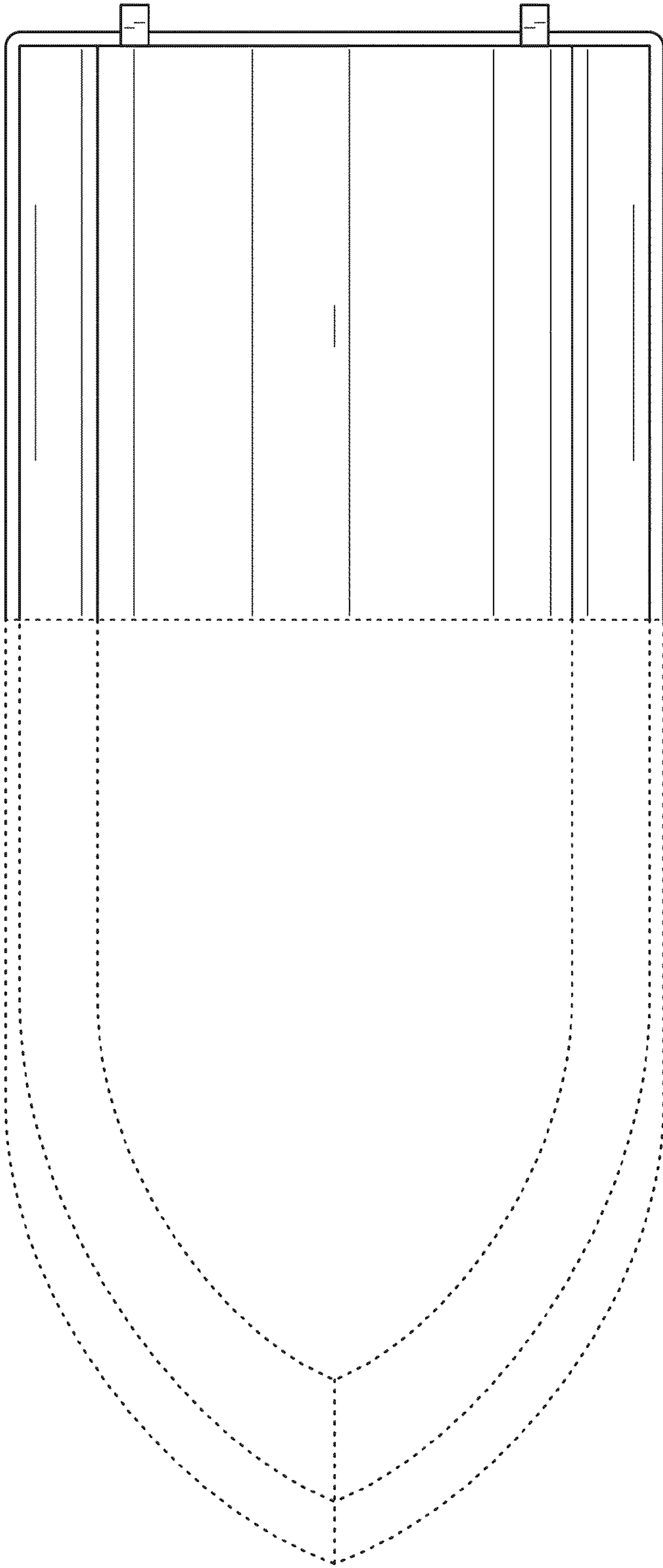


FIG. 7