



US00D641680S

(12) **United States Design Patent**
Laengerer

(10) **Patent No.:** **US D641,680 S**
(45) **Date of Patent:** **** Jul. 19, 2011**

(54) **WHEEL OR WHEEL COVER**

(75) Inventor: **Marcus Laengerer**, Renningen (DE)

(73) Assignee: **Daimler AG**, Stuttgart (DE)

(**) Term: **14 Years**

(21) Appl. No.: **29/388,104**

(22) Filed: **Mar. 24, 2011**

(30) **Foreign Application Priority Data**

Sep. 30, 2010 (EM) 001761743-0001

(51) **LOC (9) Cl.** **12-16**

(52) **U.S. Cl.** **D12/211**

(58) **Field of Classification Search** D12/204-213;
301/37.101, 64.101, 65, 64.201

See application file for complete search history.

(56) **References Cited**

U.S. PATENT DOCUMENTS

D479,177 S *	9/2003	Nordmann	D12/211
D513,726 S *	1/2006	Kamimura	D12/211
D515,494 S *	2/2006	Laengerer	D12/211
D516,490 S *	3/2006	Baer	D12/211
D523,387 S *	6/2006	Pfeiffer	D12/211

D527,328 S *	8/2006	Pfeiffer	D12/211
D538,729 S *	3/2007	Pfeiffer	D12/209
D546,747 S *	7/2007	Pfeiffer	D12/211
D554,573 S *	11/2007	Pfeiffer	D12/211
D588,516 S *	3/2009	Nagashima	D12/211
D591,663 S *	5/2009	Chung	D12/211
D617,248 S *	6/2010	Zhao	D12/209
D618,607 S *	6/2010	Hilpert	D12/211
D621,771 S *	8/2010	Truebsbach	D12/211
D625,239 S *	10/2010	Juergens et al.	D12/211

* cited by examiner

Primary Examiner — Stacia Cadmus

(74) *Attorney, Agent, or Firm* — Crowell & Moring LLP

(57) **CLAIM**

The ornamental design for a wheel or wheel cover, as shown and described.

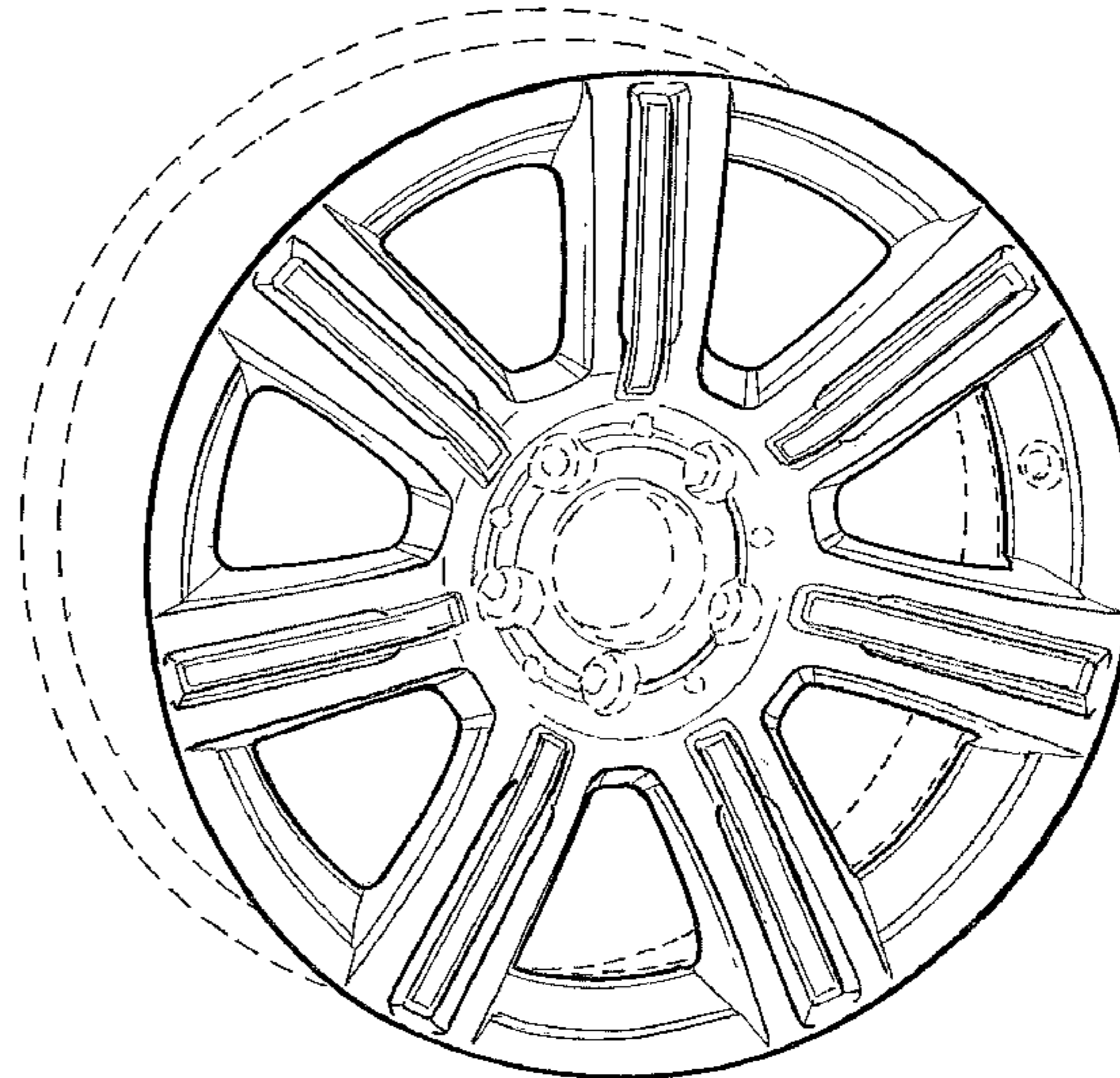
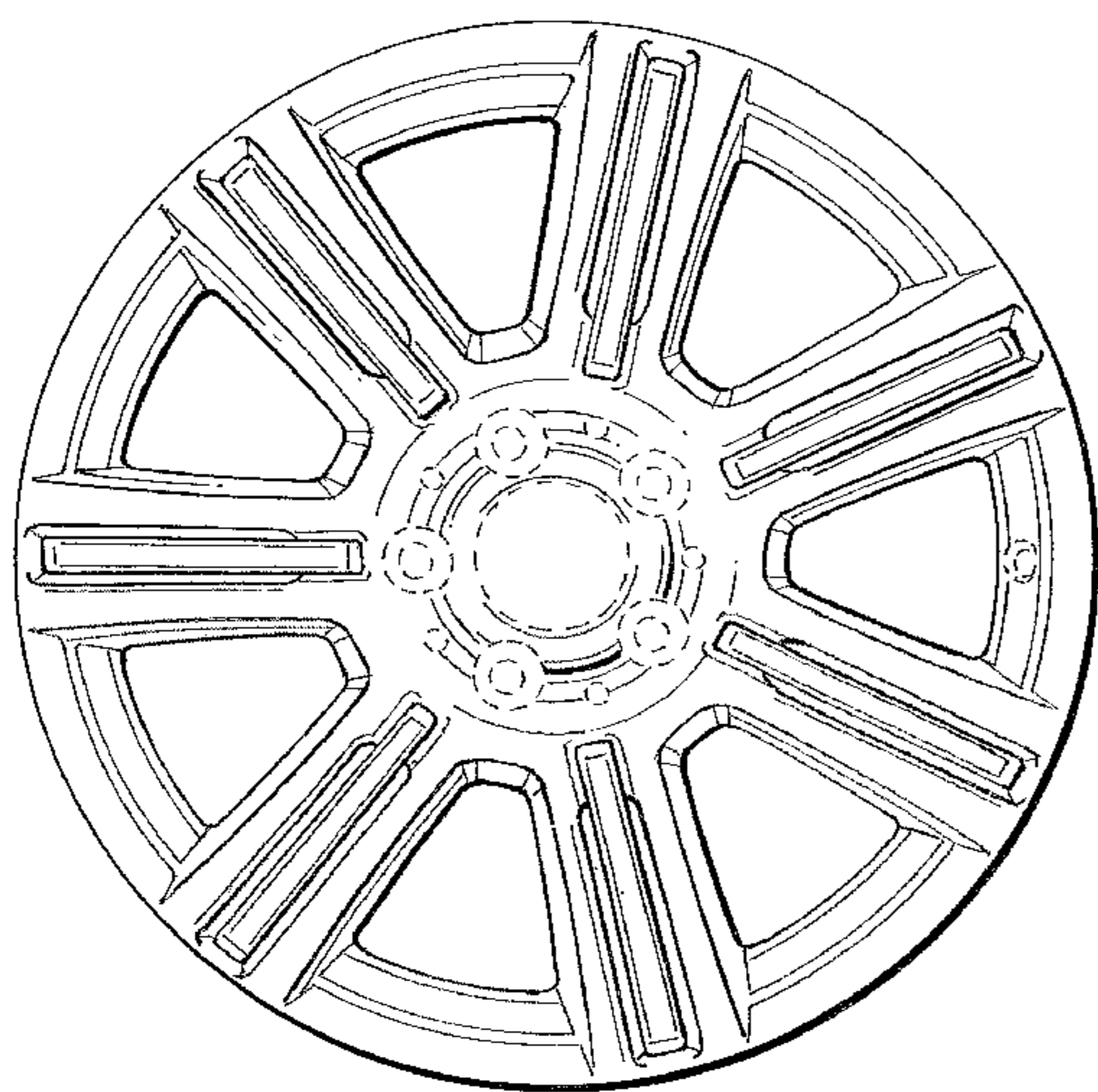
DESCRIPTION

FIG. 1 is a front view of a wheel or wheel cover according to my design; and,

FIG. 2 is a perspective view thereof.

The broken line showing of the rear of the wheel, the valve stem hole, the bolt holes and the center hole in the central hub area is included for the purpose of illustrating environment and forms no part of the claimed design.

1 Claim, 1 Drawing Sheet



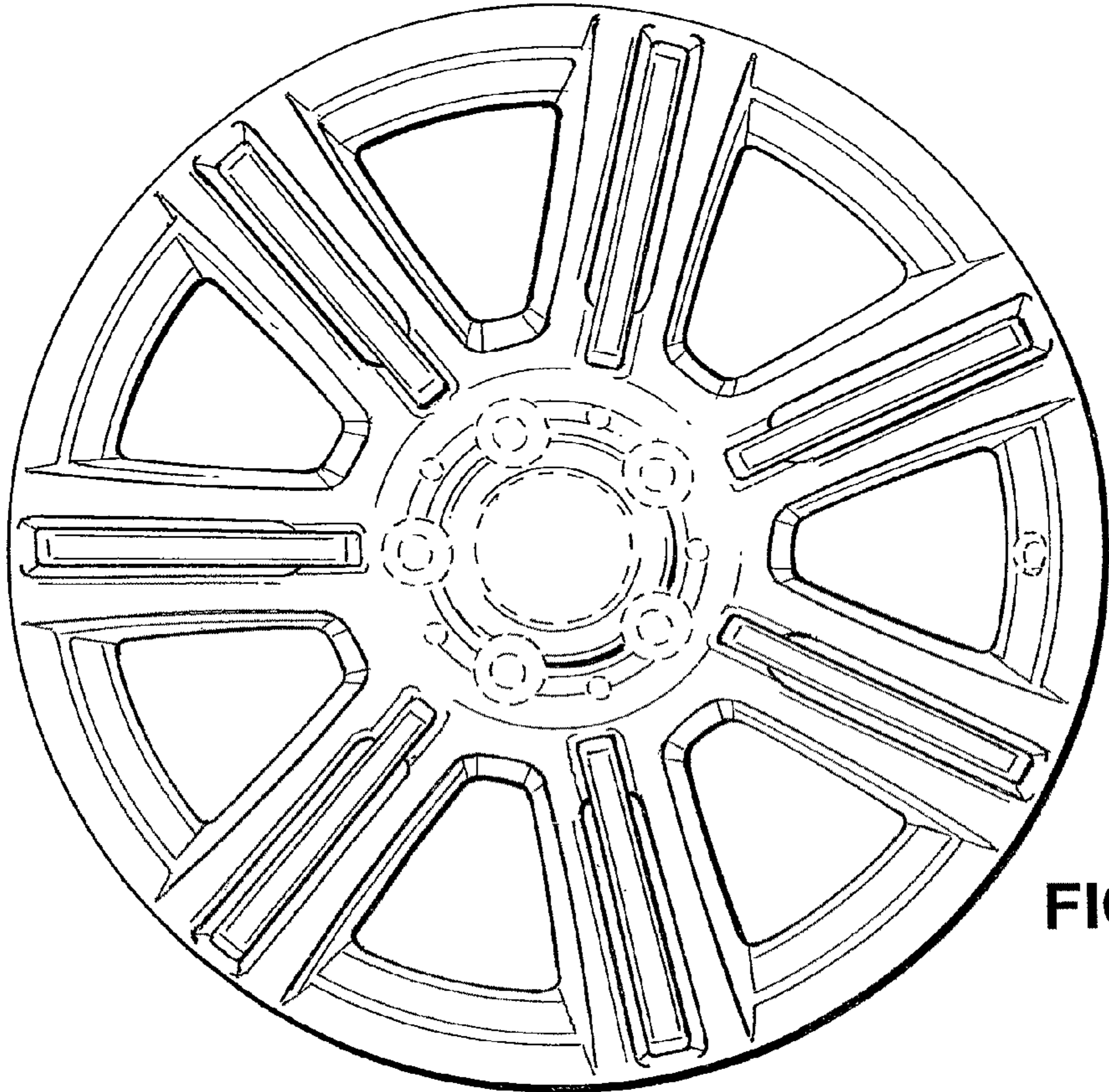


FIG. 1

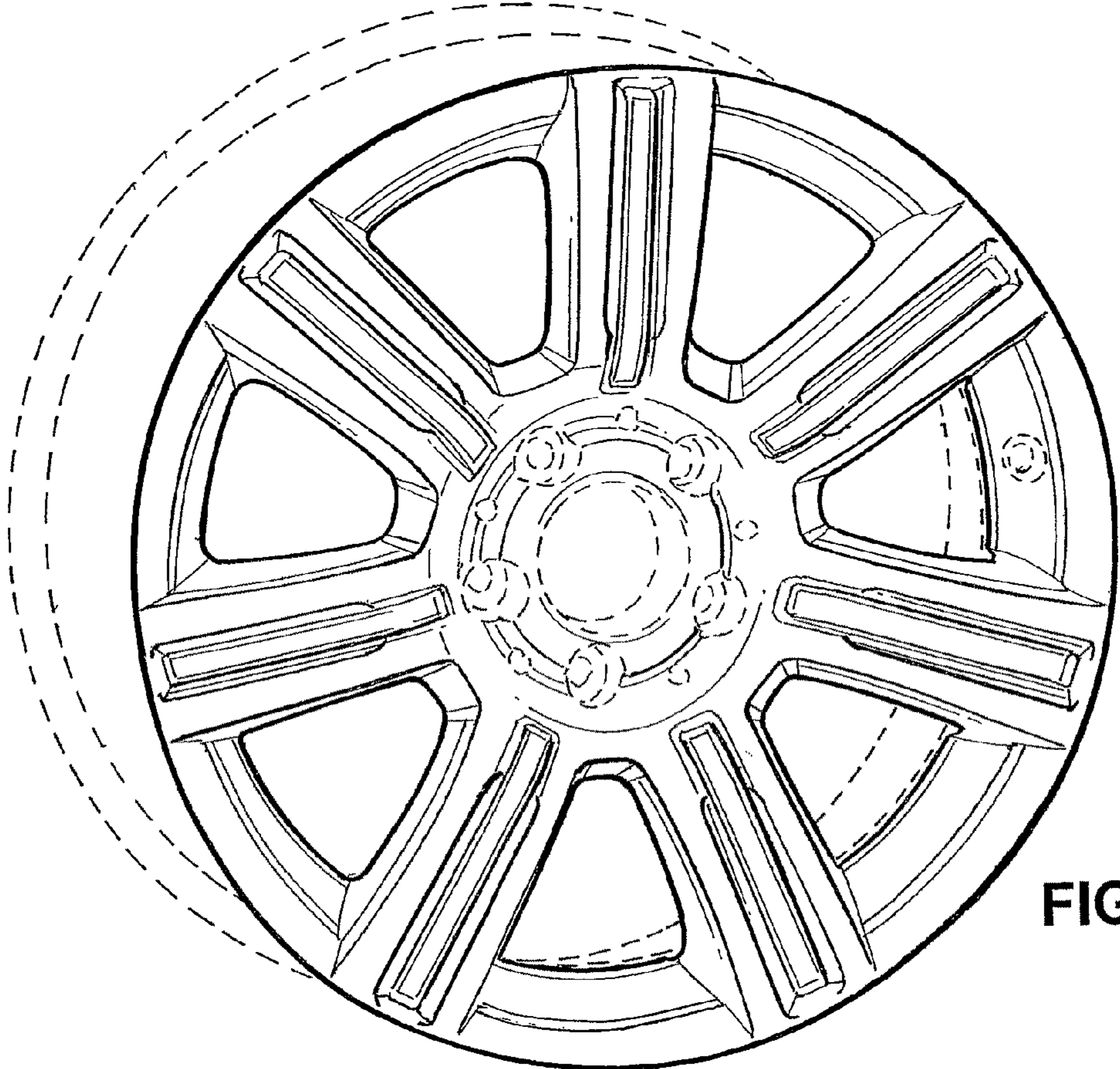


FIG. 2