



US00D641678S

(12) **United States Design Patent**
Elmitt

(10) **Patent No.:** **US D641,678 S**
(45) **Date of Patent:** **** Jul. 19, 2011**

(54) **WHEEL OR WHEEL COVER**

(75) Inventor: **Karl-Johann Elmitt**, Eching (DE)

(73) Assignee: **Bayerische Motoren Werke Aktiengesellschaft**, Munich (DE)

(**) Term: **14 Years**

(21) Appl. No.: **29/371,362**

(22) Filed: **Jan. 14, 2011**

(30) **Foreign Application Priority Data**

Jul. 16, 2010 (DE) 40 2010 003 916

(51) **LOC (9) Cl.** **12-16**

(52) **U.S. Cl.** **D12/209**

(58) **Field of Classification Search** D12/204-213;
301/37.101, 64.101, 65, 64.201

See application file for complete search history.

(56) **References Cited**

U.S. PATENT DOCUMENTS

| | | | |
|--------------|--------|-------------|---------|
| D452,839 S | 1/2002 | Muth et al. | |
| D492,235 S | 6/2004 | Nordmann | |
| D514,050 S * | 1/2006 | Scheu | D12/211 |
| D519,901 S * | 5/2006 | Panano | D12/209 |
| D522,949 S | 6/2006 | Elmitt | |
| D543,493 S * | 5/2007 | Kim | D12/209 |
| D576,535 S * | 9/2008 | Chung | D12/209 |
| D590,317 S * | 4/2009 | Chung | D12/211 |
| D619,070 S | 7/2010 | Pollmann | |

| | | | |
|--------------|--------|--------------|---------|
| D621,771 S * | 8/2010 | Truebsbach | D12/211 |
| D630,564 S | 1/2011 | Baum | |
| D634,250 S * | 3/2011 | Matei et al. | D12/209 |

FOREIGN PATENT DOCUMENTS

| | | |
|----|----------------|---------|
| DE | 40010998.0 | 3/2001 |
| DE | 40104441.6 | 9/2001 |
| EM | 000273651-0002 | 3/2005 |
| EM | 001772922-0011 | 10/2010 |
| EM | 001621541-0004 | 11/2010 |
| EM | 001714668-0002 | 1/2011 |

* cited by examiner

Primary Examiner — Stacia Cadmus

(74) *Attorney, Agent, or Firm* — Crowell & Moring LLP

(57) **CLAIM**

The ornamental design for a wheel or wheel cover, as shown and described.

DESCRIPTION

This application contains subject matter related to the following co-pending U.S. design patent application:

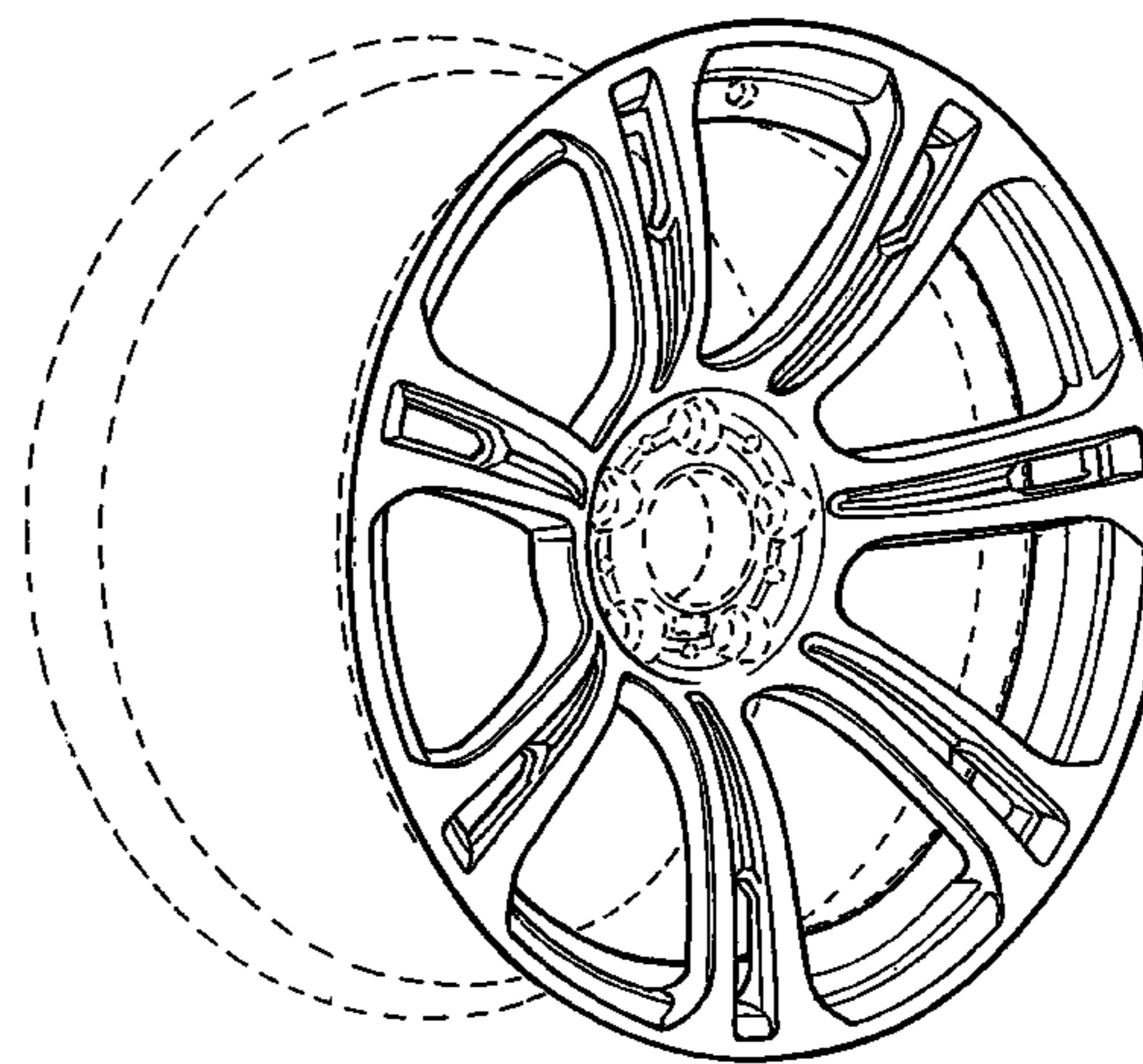
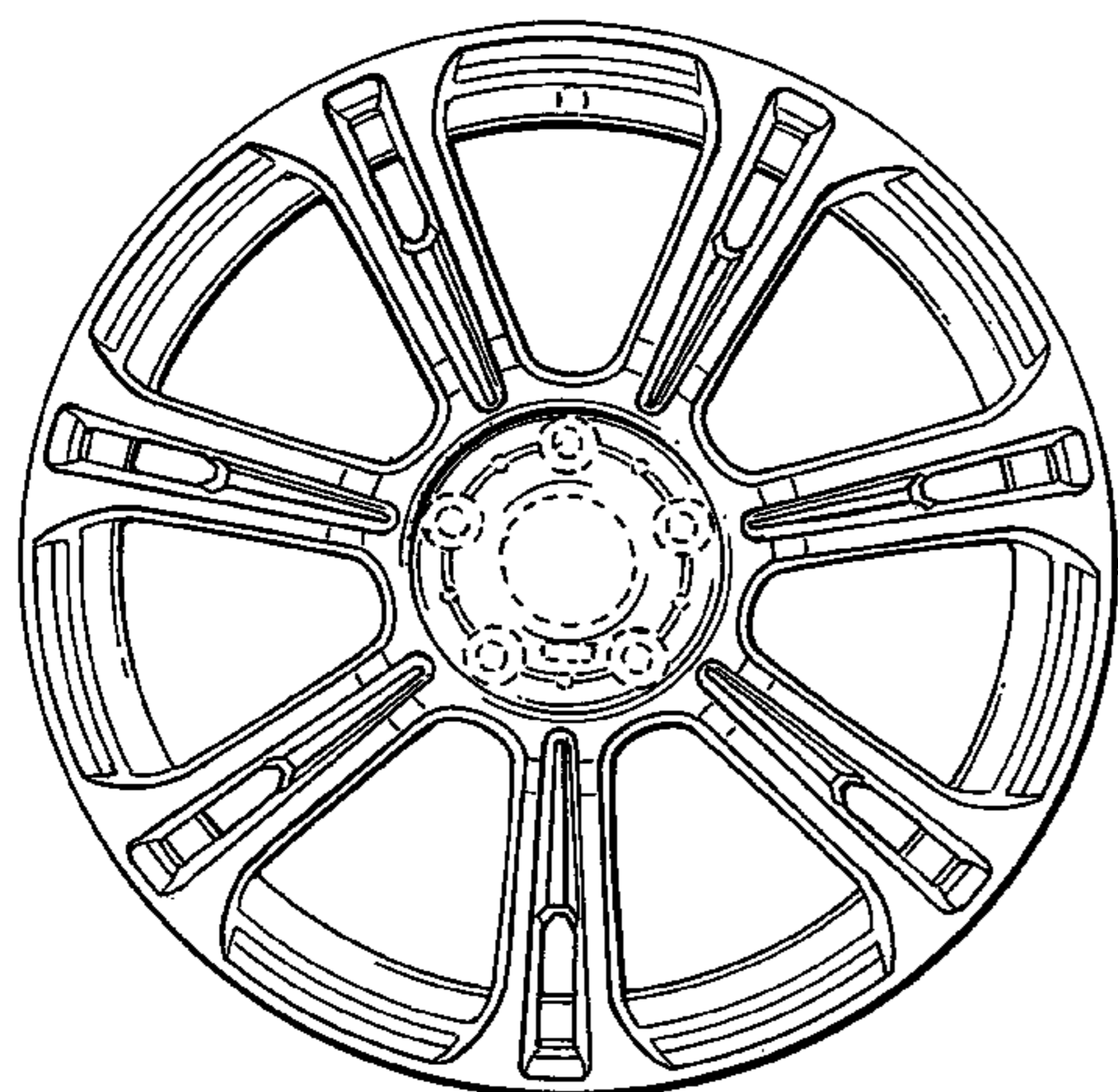
U.S. application Ser. No. 29/371,126, filed Oct. 27, 2010 and entitled "Wheel or Wheel Cover."

FIG. 1 is a front view of a wheel or wheel cover according to my design; and,

FIG. 2 is a perspective view thereof.

The broken line showing of the rear of the wheel, the bolt holes and center hole in the central hub area is included for the purpose of illustrating environment and forms no part of the claimed design.

1 Claim, 1 Drawing Sheet



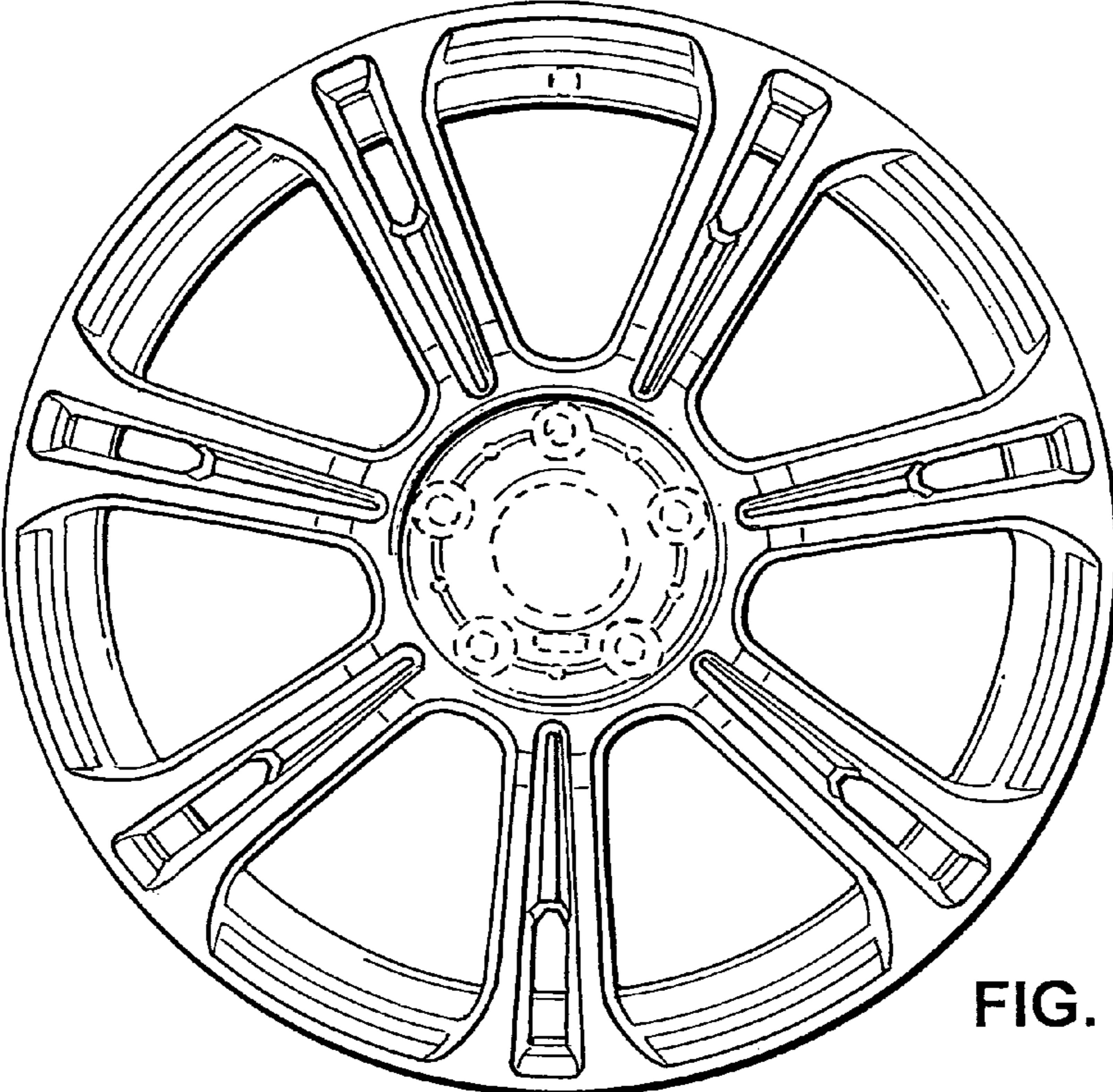


FIG. 1

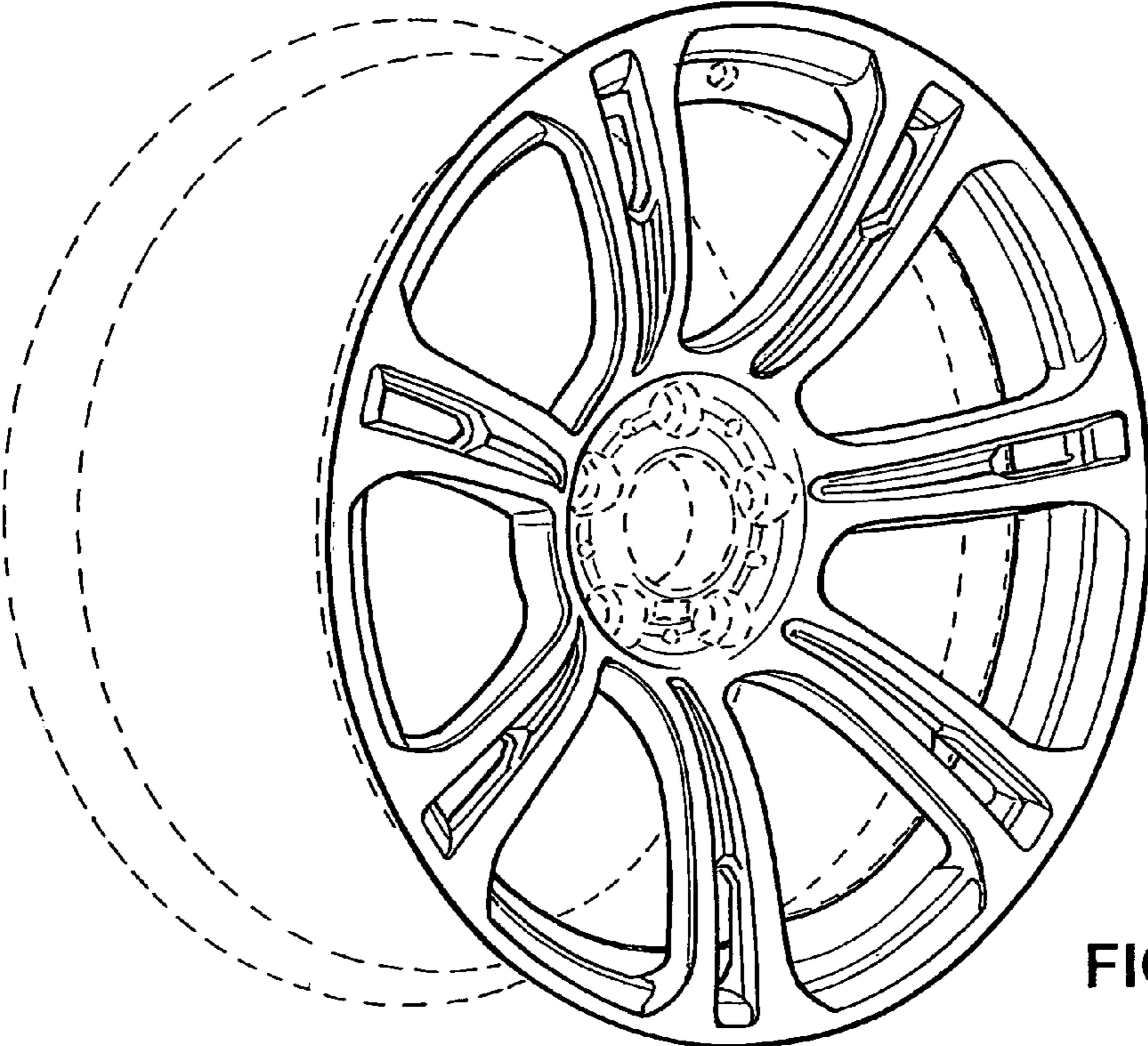


FIG. 2