



US00D641675S

(12) **United States Design Patent**
Kim et al.

(10) **Patent No.:** **US D641,675 S**

(45) **Date of Patent:** **** Jul. 19, 2011**

(54) **AUTOMOBILE INTERIOR**

(75) Inventors: **Simeon Wang K. Kim**, Rochester Hills, MI (US); **Stephen J. Sowinski**, Rochester, MI (US)

(73) Assignee: **Chrysler Group LLC**, Auburn Hills, MI (US)

(**) Term: **14 Years**

(21) Appl. No.: **29/381,730**

(22) Filed: **Dec. 22, 2010**

(51) **LOC (9) Cl.** **12-16**

(52) **U.S. Cl.** **D12/192**

(58) **Field of Classification Search** D12/192, D12/415, 110, 114; 280/750-752; 180/90; 296/70, 191, 190.01-190.09; D15/28, 17; D10/122-127, 102-103, 98, 46
See application file for complete search history.

(56) **References Cited**

U.S. PATENT DOCUMENTS

4,530,517 A * 7/1985 Miyabayashi et al. 280/752
D285,915 S * 9/1986 Luthe et al. D12/192
D403,641 S * 1/1999 Sacco et al. D12/192

D405,408 S * 2/1999 Yoshida et al. D12/192
D423,435 S * 4/2000 Sato D12/192
D432,474 S * 10/2000 Sacco et al. D12/192
D470,807 S * 2/2003 Wyszogrod et al. D12/192
D489,798 S * 5/2004 Hunt D23/304
6,854,783 B2 * 2/2005 Teranishi et al. 296/70

* cited by examiner

Primary Examiner — Caron D Veynar

Assistant Examiner — Katrina Kile

(74) *Attorney, Agent, or Firm* — Ralph E. Smith

(57) **CLAIM**

The ornamental design for an automobile interior, as shown and described.

DESCRIPTION

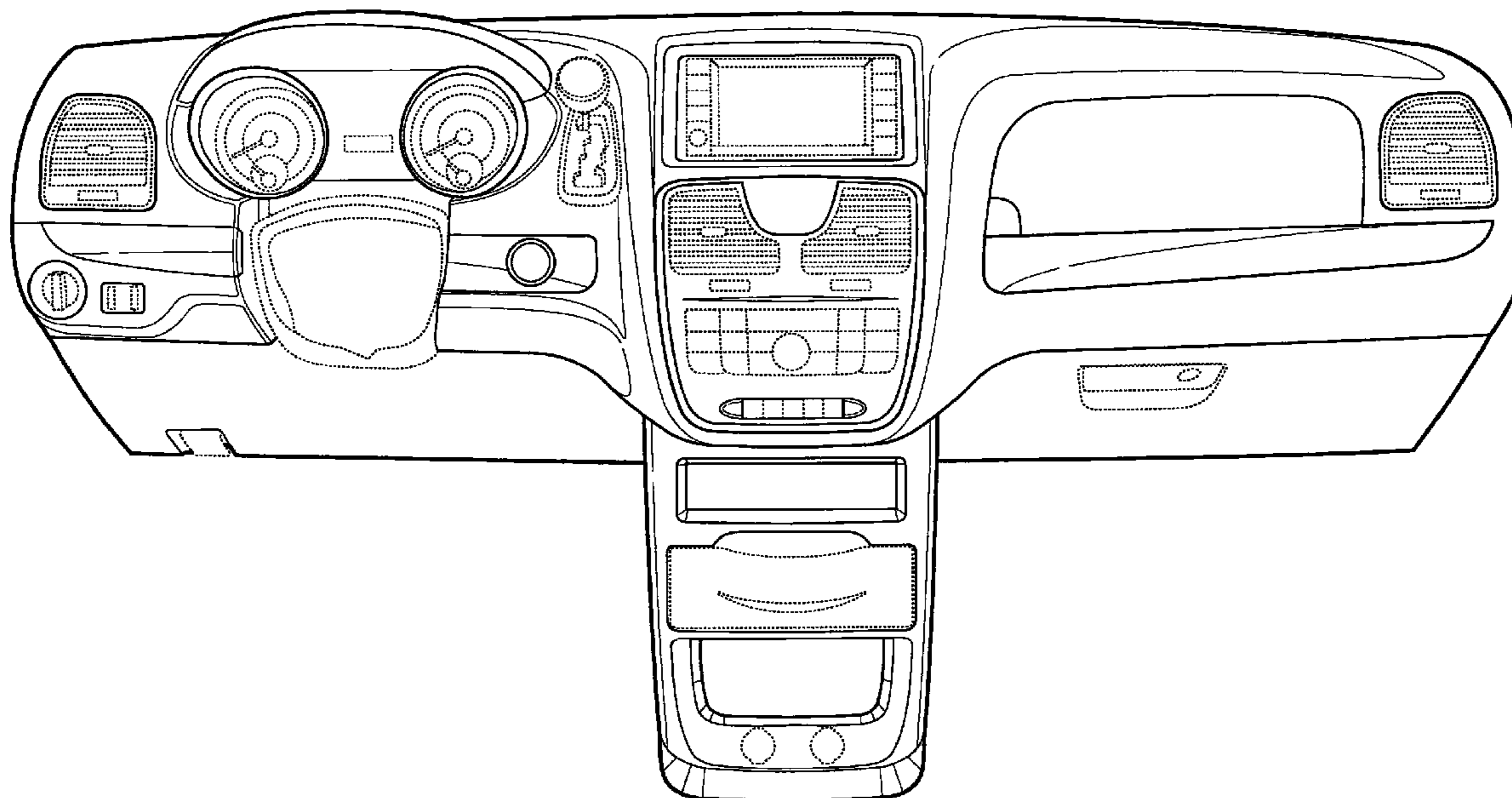
FIG. 1 is a right perspective view of an automobile interior showing our new design;

FIG. 2 is a left perspective view thereof; and,

FIG. 3 is a front view thereof.

It will be understood that the dashed lines presented in the drawings are for illustration only, and do not form a part of the claimed design.

1 Claim, 3 Drawing Sheets



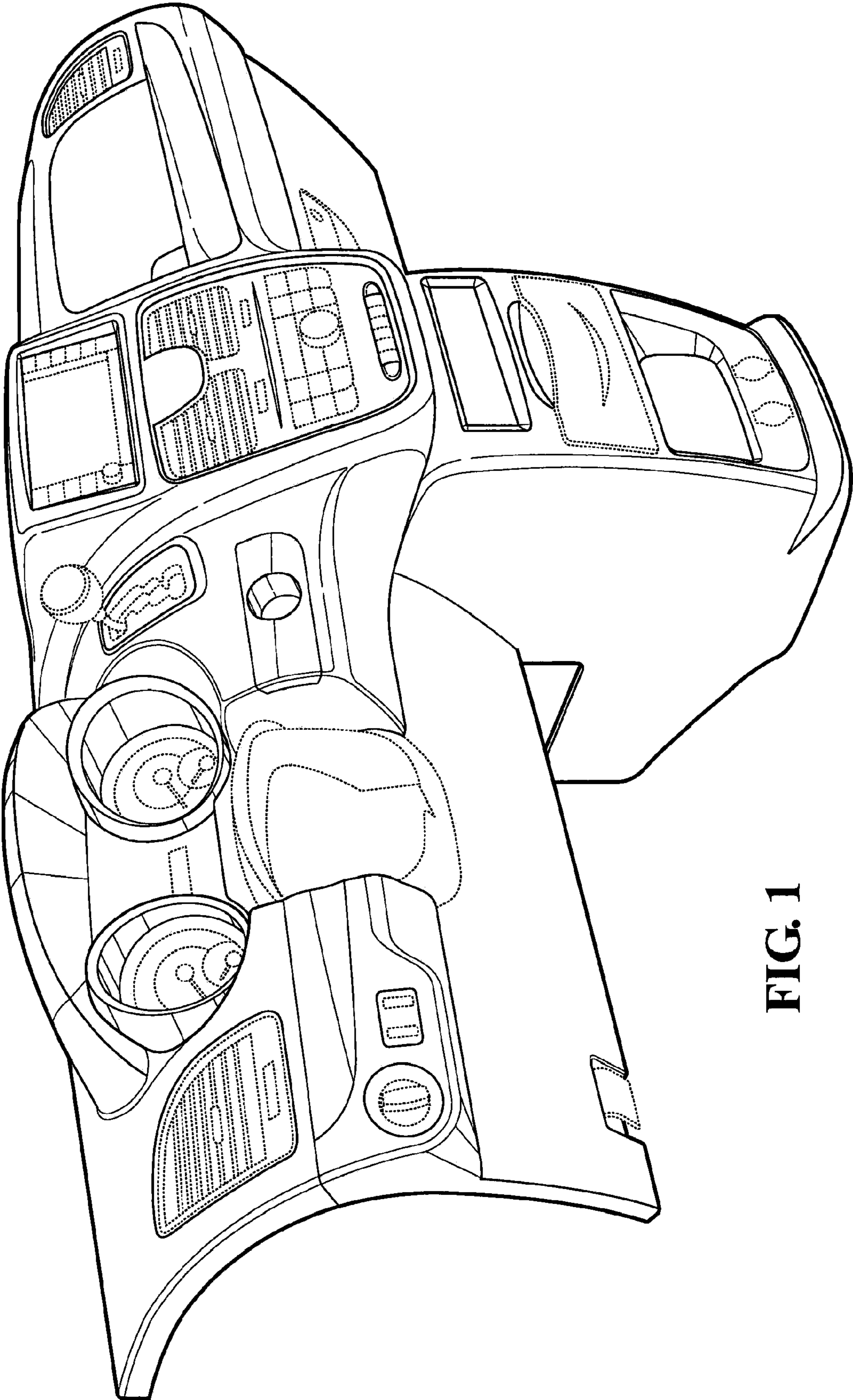


FIG. 1

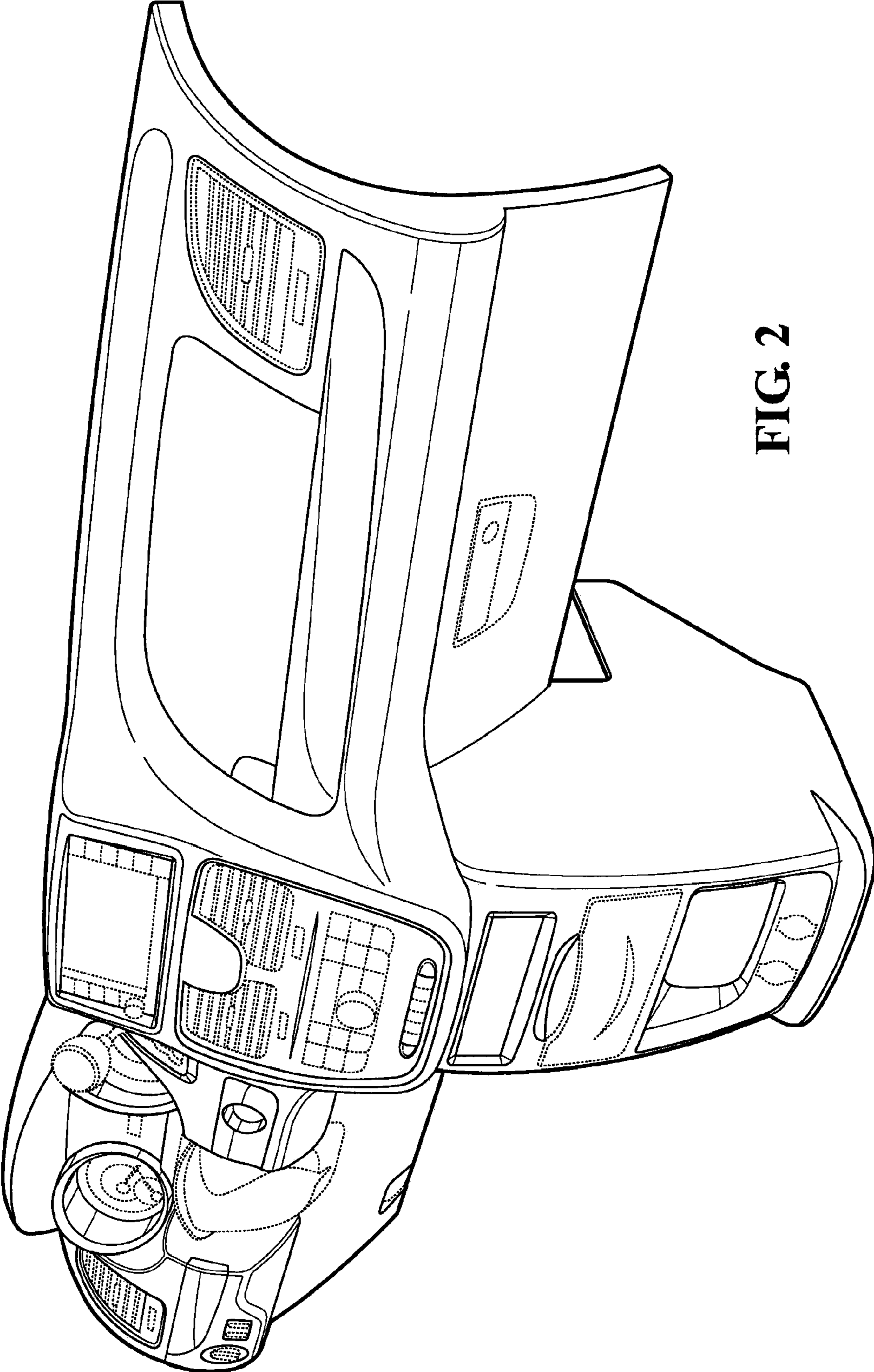


FIG. 2

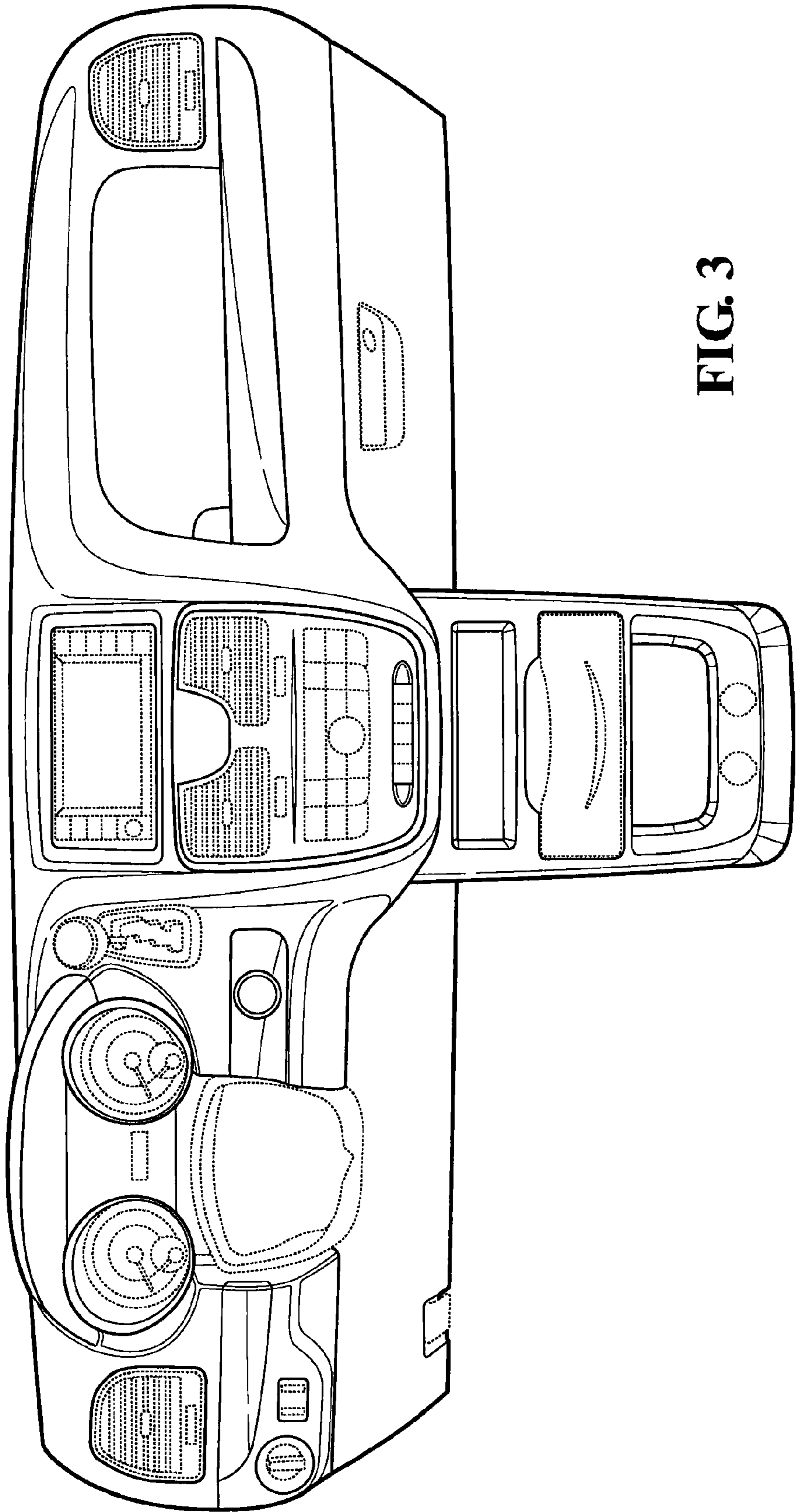


FIG. 3