



US00D641672S

(12) **United States Design Patent**
Willoughby et al.

(10) **Patent No.:** **US D641,672 S**
(45) **Date of Patent:** **** Jul. 19, 2011**

(54) **AUTOMOBILE INTERIOR**

(75) Inventors: **Ernest F. Willoughby**, Lake Orion, MI (US); **James P. Mantua**, Beverly Hills, MI (US); **Klaus Busse**, Lake Orion, MI (US)

(73) Assignee: **Chrysler Group LLC**, Auburn Hills, MI (US)

(**) Term: **14 Years**

(21) Appl. No.: **29/380,364**

(22) Filed: **Dec. 3, 2010**

(51) **LOC (9) Cl.** **12-16**

(52) **U.S. Cl.** **D12/192**

(58) **Field of Classification Search** D12/192,
D12/415, 110, 114; 280/750-752; 180/90;
296/70, 191, 190.01-190.09; D15/28, 17;
D10/122-127, 102-103, 98, 46

See application file for complete search history.

(56) **References Cited**

U.S. PATENT DOCUMENTS

685,478 A * 10/1901 Jaco 137/349
4,530,517 A * 7/1985 Miyabayashi et al. 280/752
D285,915 S * 9/1986 Luthe et al. D12/192

D405,408 S * 2/1999 Yoshida et al. D12/192
D464,008 S * 10/2002 Siegert et al. D12/192
D470,809 S * 2/2003 Asahi et al. D12/192
D532,353 S * 11/2006 Honda et al. D12/192
D567,162 S * 4/2008 Motozaki et al. D12/192
D580,249 S * 11/2008 Netzler D8/66
2010/0219653 A1 * 9/2010 Kwolek 296/72

* cited by examiner

Primary Examiner — Caron D Veynar

Assistant Examiner — Katrina Kile

(74) *Attorney, Agent, or Firm* — Ralph E. Smith

(57) **CLAIM**

The ornamental design for an automobile interior, as shown and described.

DESCRIPTION

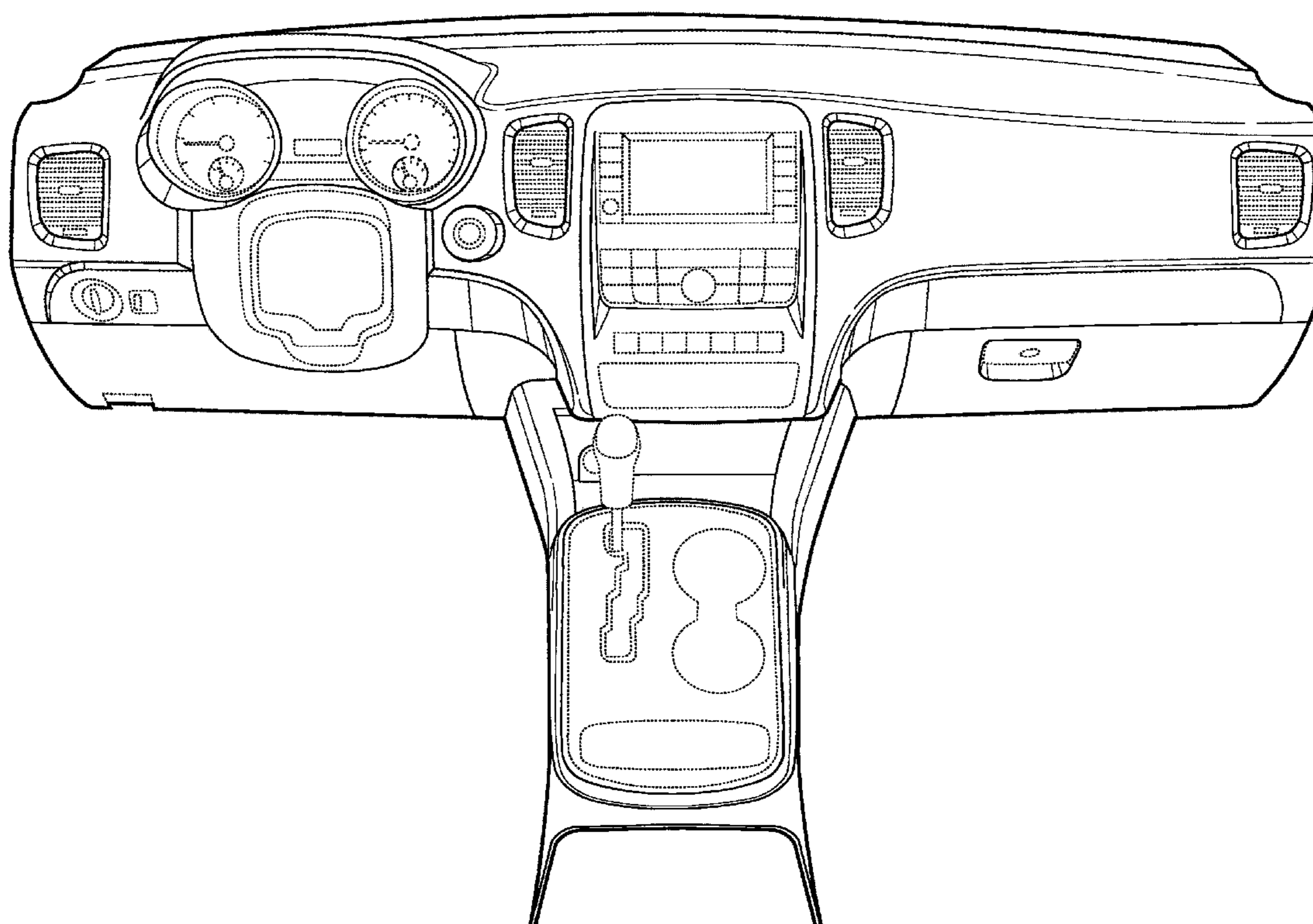
FIG. 1 is a right perspective view of an automobile interior showing our new design;

FIG. 2 is a left perspective view thereof; and,

FIG. 3 is a front view thereof.

It will be understood that the dashed lines presented in the drawings are for illustration only, and do not form a part of the claimed design.

1 Claim, 3 Drawing Sheets



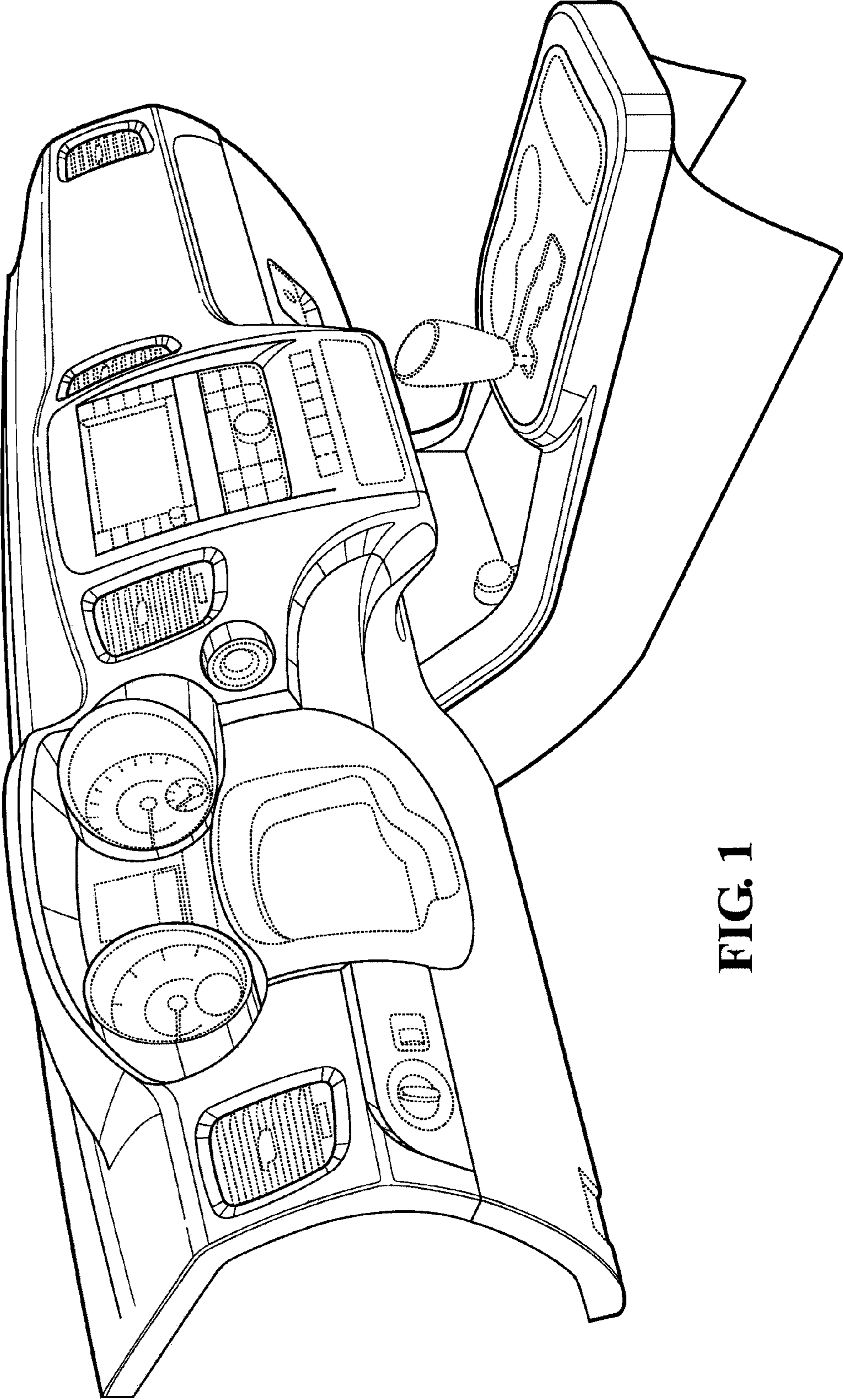


FIG. 1

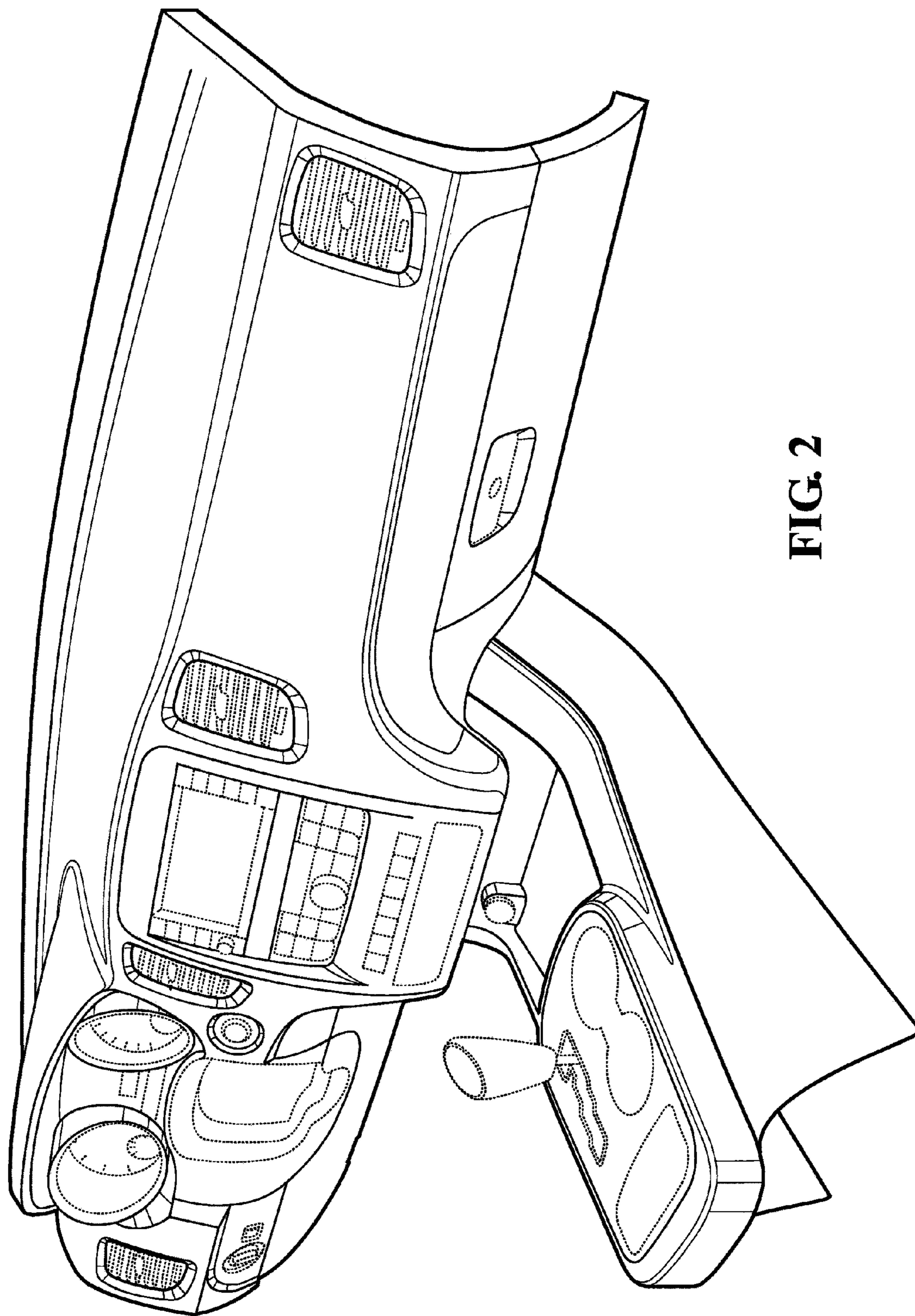


FIG. 2

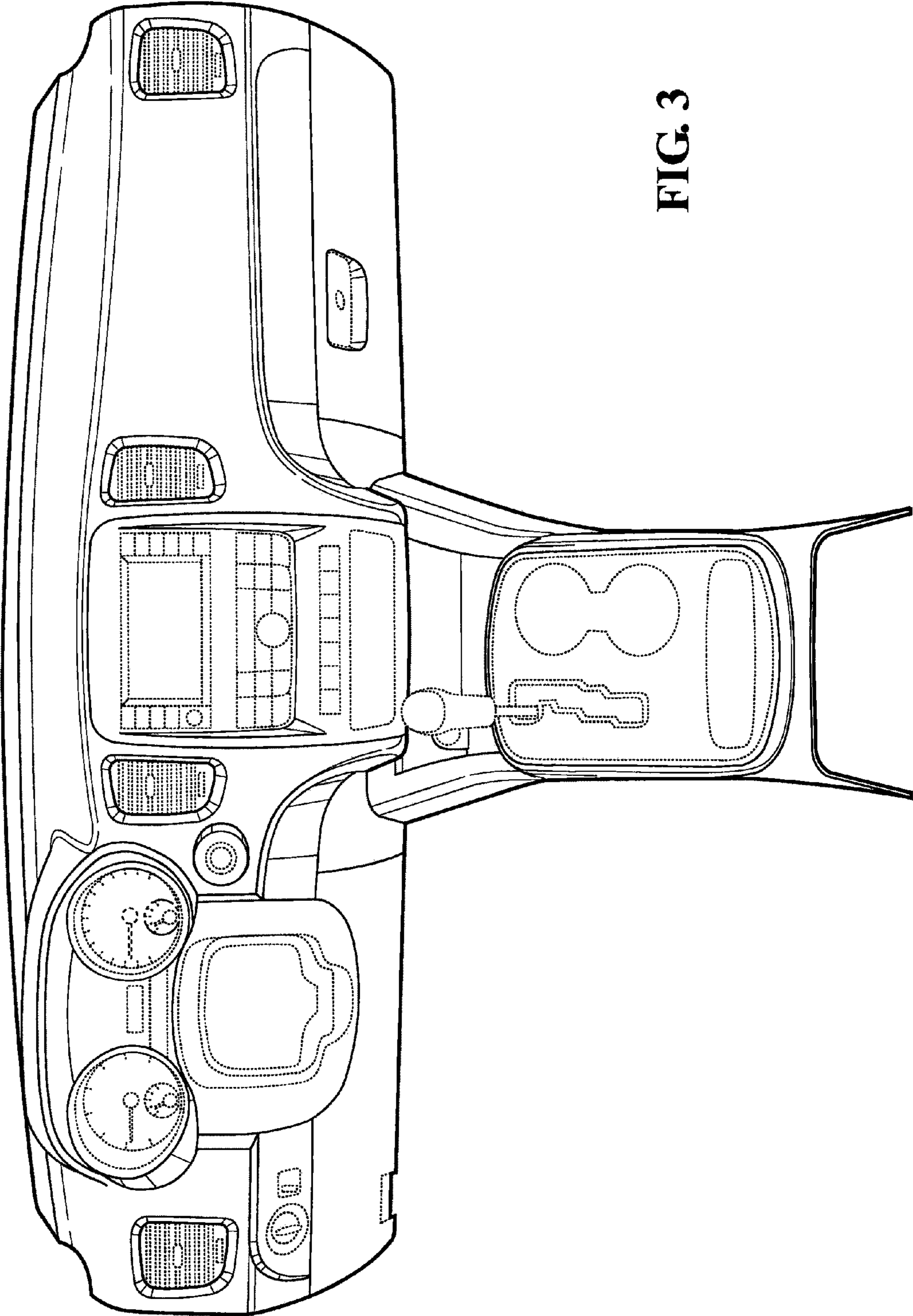


FIG. 3