



US00D641669S

(12) **United States Design Patent**
Vardis

(10) **Patent No.:** **US D641,669 S**
(45) **Date of Patent:** **** Jul. 19, 2011**

(54) **VEHICLE HOOD**

(75) Inventor: **Nicholas Vardis**, Sylvan Lake, MI (US)

(73) Assignee: **Chrysler Group LLC**, Auburn Hills, MI (US)

(**) Term: **14 Years**

(21) Appl. No.: **29/382,771**

(22) Filed: **Jan. 7, 2011**

(51) **LOC (9) Cl.** **12-16**

(52) **U.S. Cl.** **D12/173**

(58) **Field of Classification Search** D12/173,
D12/196, 86, 90-92; 180/69.21, 69.2, 69.22
See application file for complete search history.

(56) **References Cited**

U.S. PATENT DOCUMENTS

D541,198 S *	4/2007	Levy	D12/173
D560,577 S *	1/2008	Okamoto et al.	D12/173
D583,733 S *	12/2008	Walter et al.	D12/173
D591,212 S *	4/2009	Woolley et al.	D12/173
D607,792 S *	1/2010	Weil	D12/173

D609,144 S *	2/2010	Takayama	D12/173
D609,615 S *	2/2010	Kruger et al.	D12/173
D619,942 S *	7/2010	Ectors et al.	D12/173
D628,946 S *	12/2010	Cogswell	D12/173
D634,682 S *	3/2011	Matei et al.	D12/173

* cited by examiner

Primary Examiner — Melody N Brown

(74) *Attorney, Agent, or Firm* — Ralph E Smith

(57) **CLAIM**

The ornamental design for a vehicle hood, as shown and described.

DESCRIPTION

FIG. 1 is a front and side perspective view of a portion of an automobile showing our new design; FIG. 2 is a front and opposite side perspective view thereof; FIG. 3 is a top plan view thereof; and, FIG. 4 is a front elevation view thereof.

It will be understood that the dashed lines presented in the drawings are for illustration only, and do not form a part of the claimed design.

1 Claim, 4 Drawing Sheets

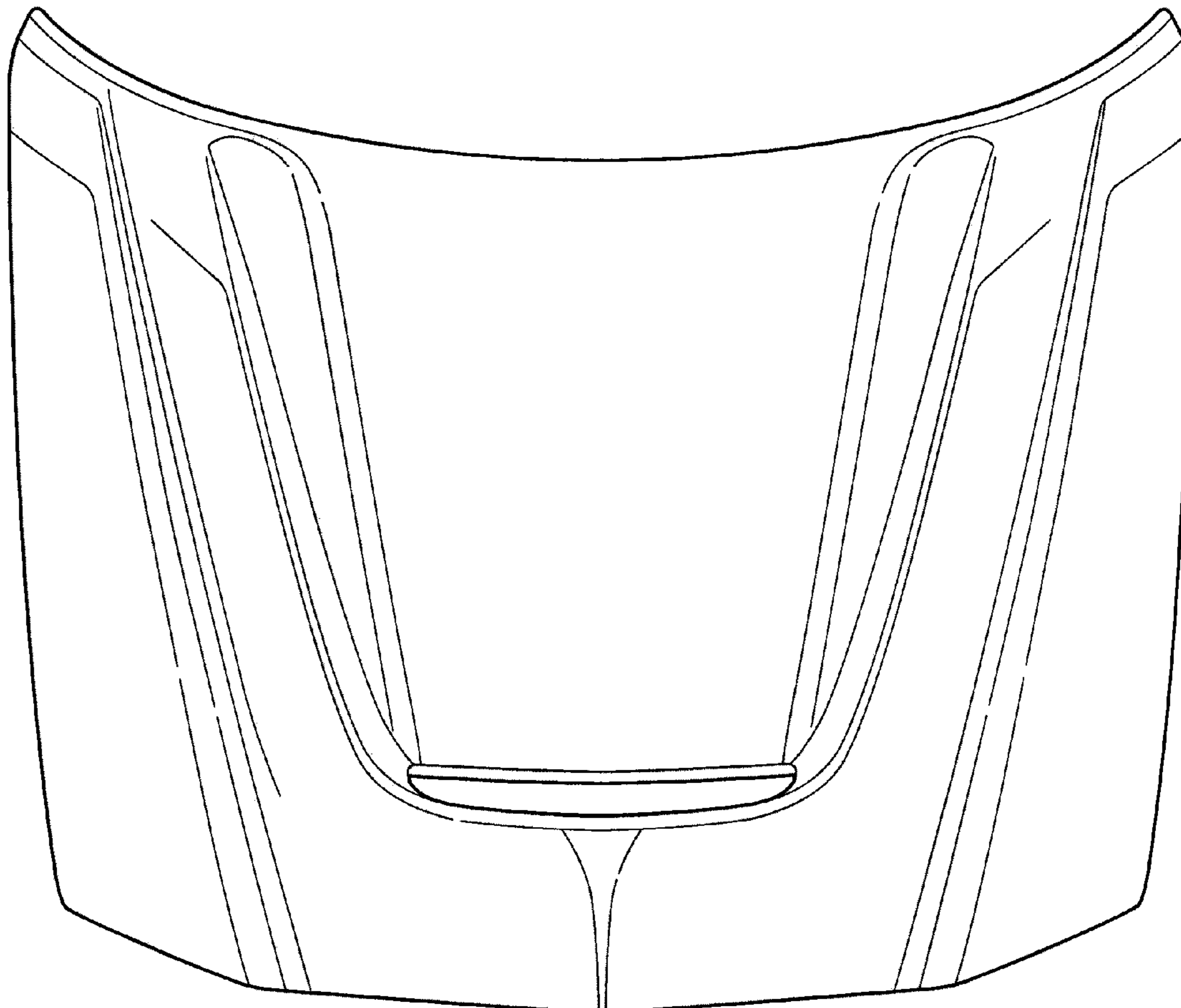




FIG. 1



FIG. 2

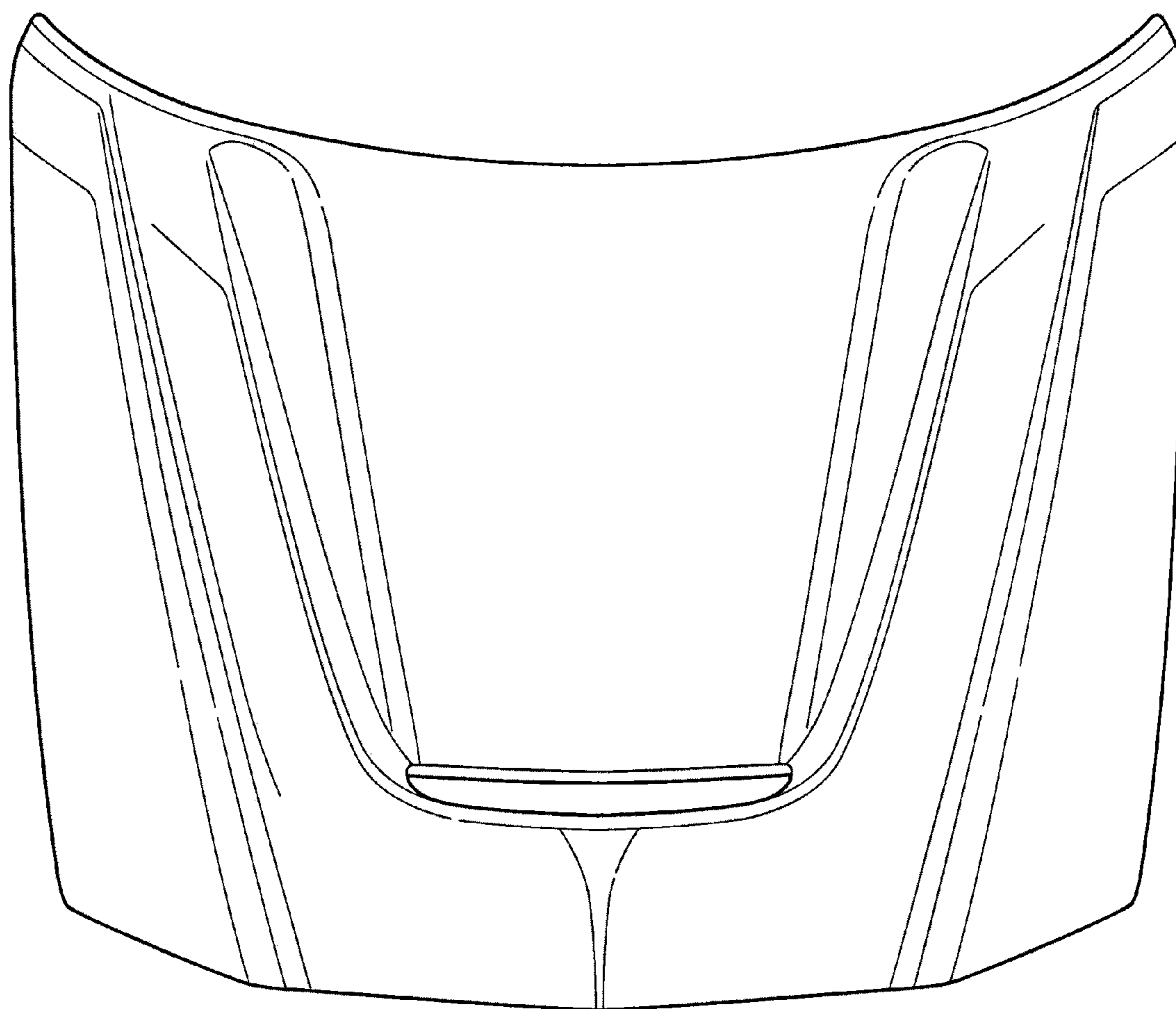


FIG. 3

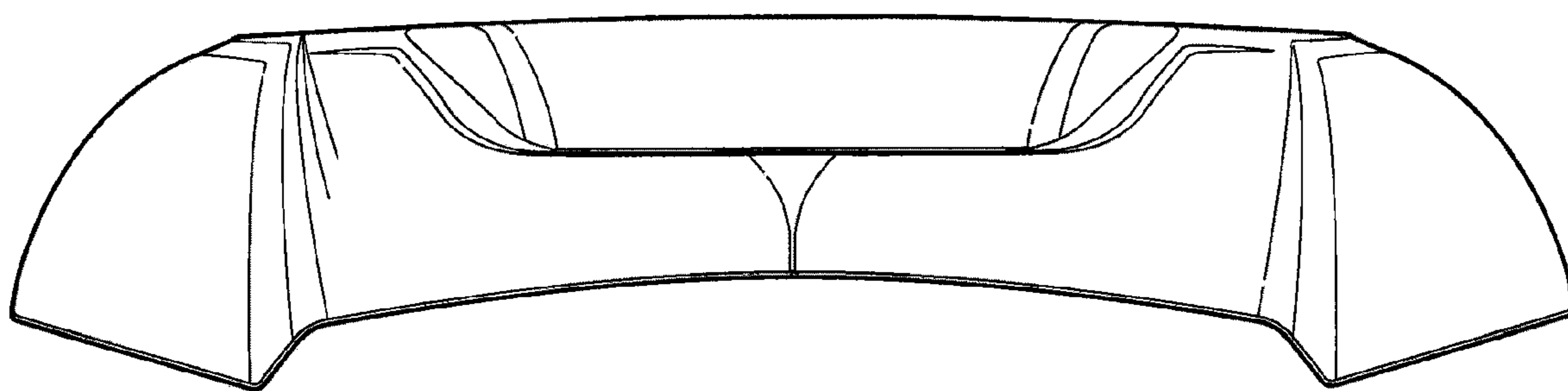


FIG. 4