



US00D641668S

(12) **United States Design Patent**  
**Exarhos**

(10) **Patent No.:** **US D641,668 S**

(45) **Date of Patent:** **\*\* \*Jul. 19, 2011**

(54) **TRAILER-HITCH MOUNTED SEAT**

2008/0061097 A1\* 3/2008 Milender et al. .... 224/519  
\* cited by examiner

(75) Inventor: **Christopher R. Exarhos**, Bainbridge  
Island, WA (US)

*Primary Examiner* — T. Chase Nelson  
*Assistant Examiner* — Kathleen M Sims

(73) Assignee: **Christopher R. Exarhos**, Bainbridge  
Island, WA (US)

(74) *Attorney, Agent, or Firm* — Whitaker Law Group; John  
Whitaker

(\*) Notice: This patent is subject to a terminal dis-  
claimer.

(57) **CLAIM**  
The ornamental design for a trailer-hitch mounted seat, as  
shown and described.

(\*\*) Term: **14 Years**

**DESCRIPTION**

(21) Appl. No.: **29/342,257**

(22) Filed: **Aug. 20, 2009**

(51) **LOC (9) Cl.** ..... **12-06**

(52) **U.S. Cl.** ..... **D12/162**

(58) **Field of Classification Search** ..... D12/161–162,  
D12/400; 224/500–537; 280/402, 415.1,  
280/416.1, 477, 482, 490.1, 493, 495, 491.1–491.5,  
280/509, 511–513

See application file for complete search history.

FIG. 1 is a perspective view of a first embodiment of a trailer-hitch mounted seat showing my new design in condition of use as attached to the broken line environment of a rear-mounted trailer hitch of a truck;  
FIG. 2 is a perspective view thereof;  
FIG. 3 is a front view thereof;  
FIG. 4 is a rear view thereof;  
FIG. 5 is a right side view thereof;  
FIG. 6 is a left side view thereof;  
FIG. 7 is a top view thereof;  
FIG. 8 is a bottom view thereof;  
FIG. 9 is a perspective view of a second embodiment of a trailer-hitch mounted seat showing my new design in condition of use as attached to the broken line environment of a rear-mounted trailer hitch of a truck;  
FIG. 10 is a perspective view thereof;  
FIG. 11 is a front view thereof;  
FIG. 12 is a rear view thereof;  
FIG. 13 is a right side view thereof;  
FIG. 14 is a left side view thereof;  
FIG. 15 is a top view thereof; and,  
FIG. 16 is a bottom view thereof.

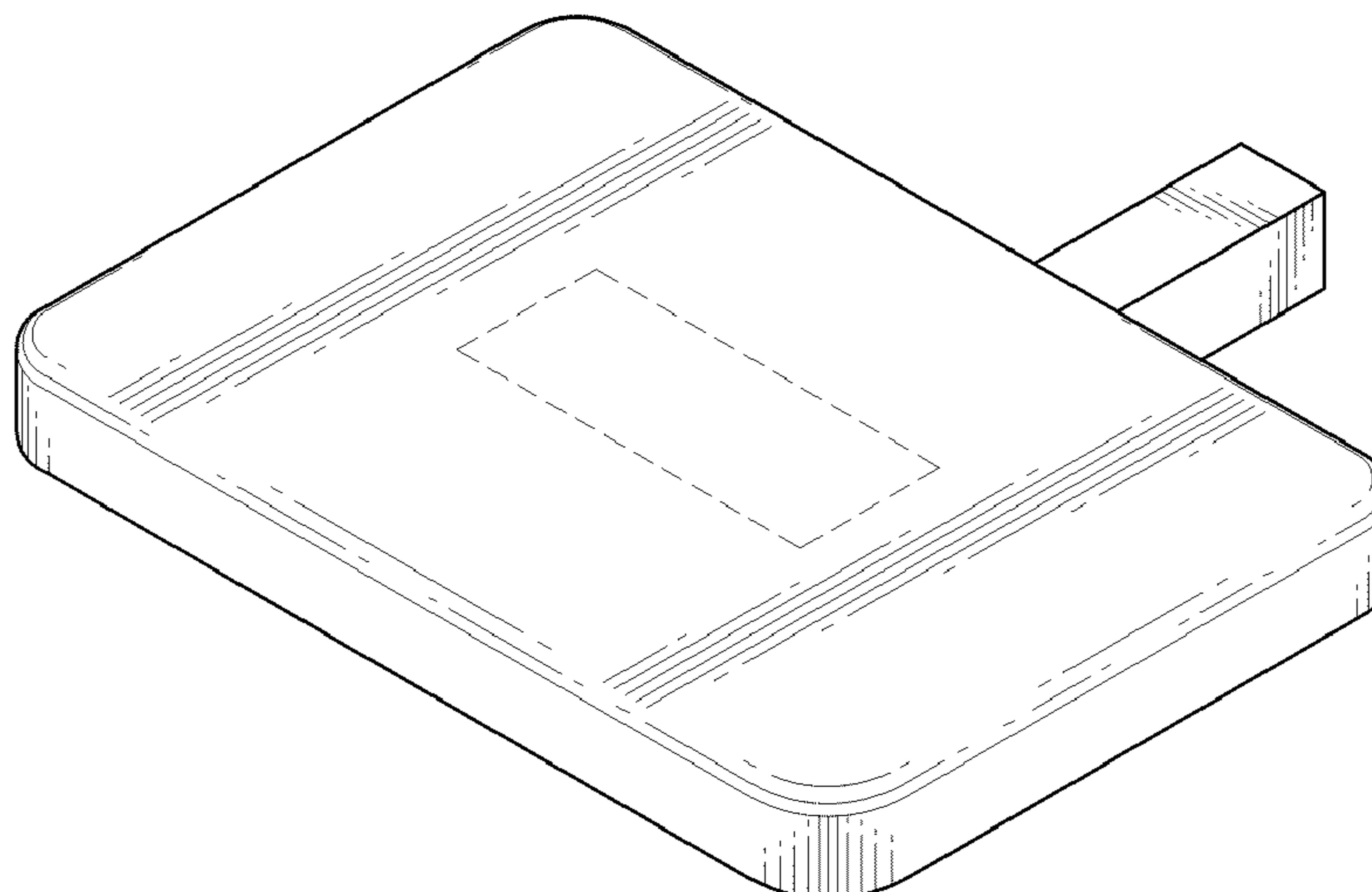
(56) **References Cited**

**U.S. PATENT DOCUMENTS**

3,357,719	A *	12/1967	McCrea	.....	280/163
D264,267	S *	5/1982	Stark	.....	D3/286
D374,052	S *	9/1996	Edauw et al.	.....	D21/764
5,738,362	A *	4/1998	Ludwick	.....	280/166
5,752,639	A *	5/1998	Rice	.....	224/521
6,007,033	A *	12/1999	Casson et al.	.....	248/224.7
6,189,458	B1 *	2/2001	Rivera	.....	108/44
D445,395	S *	7/2001	Okerlund et al.	.....	D12/400
D451,060	S *	11/2001	McCoy et al.	.....	D12/162
6,336,413	B1 *	1/2002	Ball	.....	108/44
D481,350	S *	10/2003	McCoy et al.	.....	D12/400
6,682,086	B1 *	1/2004	Erickson	.....	280/166
D513,217	S *	12/2005	Daws et al.	.....	D12/203
7,090,104	B2 *	8/2006	Dorety	.....	224/524
7,114,736	B2 *	10/2006	Stodola et al.	.....	280/164.1
7,185,904	B1 *	3/2007	Jones et al.	.....	280/166
D549,623	S *	8/2007	Gaddy	.....	D12/162

The broken line depiction of a truck in FIGS. 1 and 9 shows an environment of use, the broken lines forming no part of the claimed design. The broken lines upon the surface of the design, and areas within the broken lines, in all views depict portions of the trailer-hitch mounted seat that form no part of the claimed design.

**1 Claim, 7 Drawing Sheets**



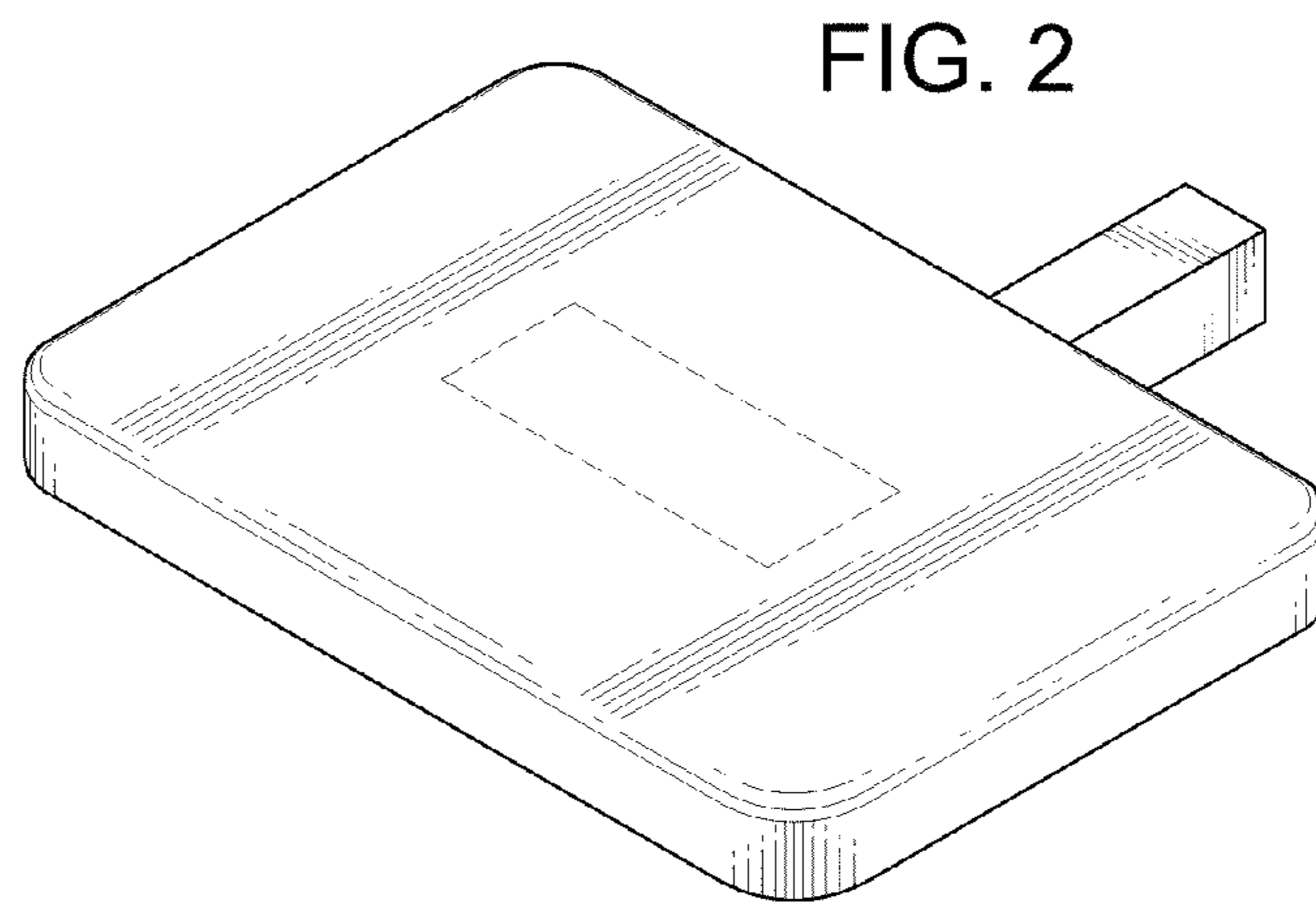
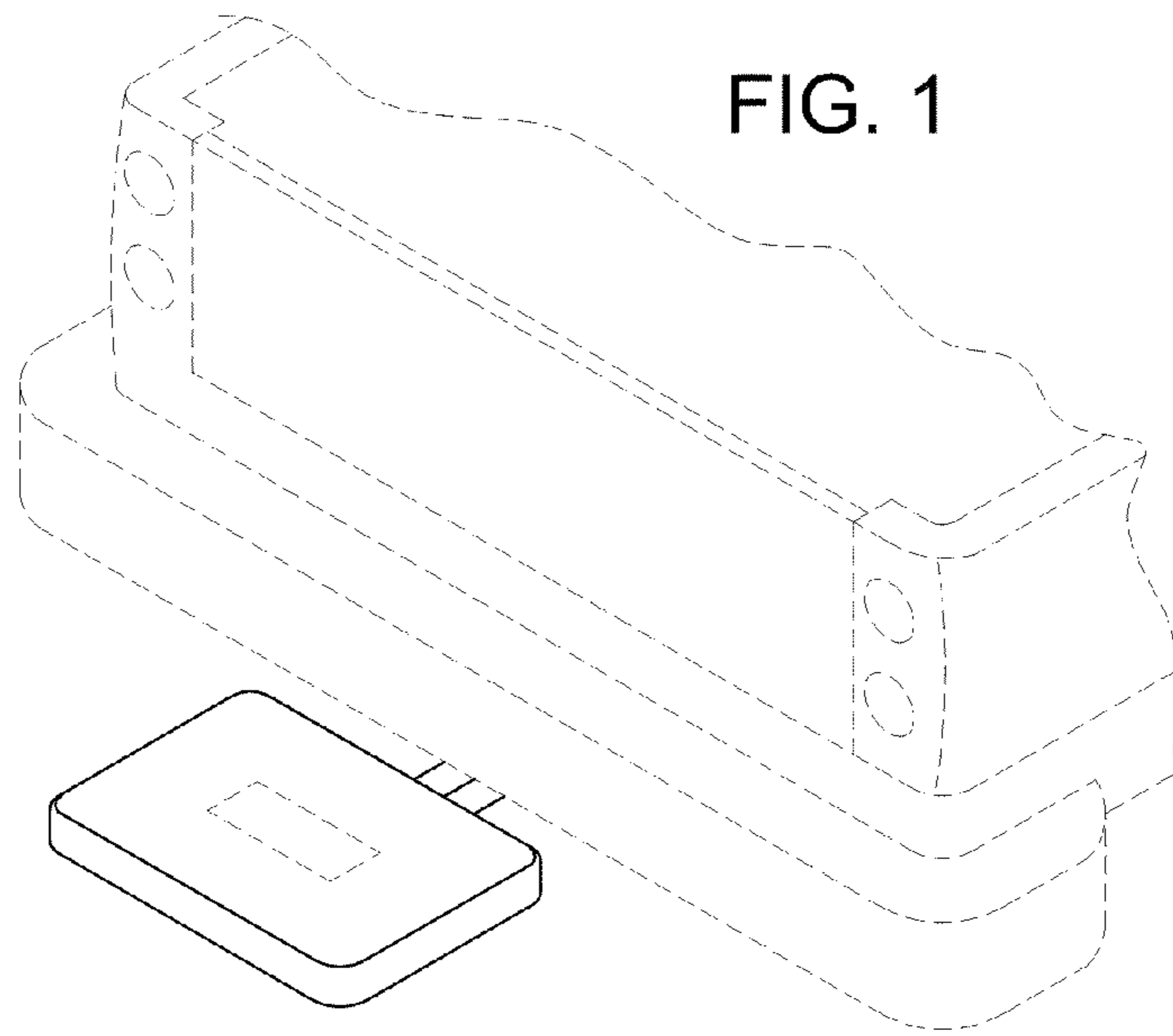


FIG. 3

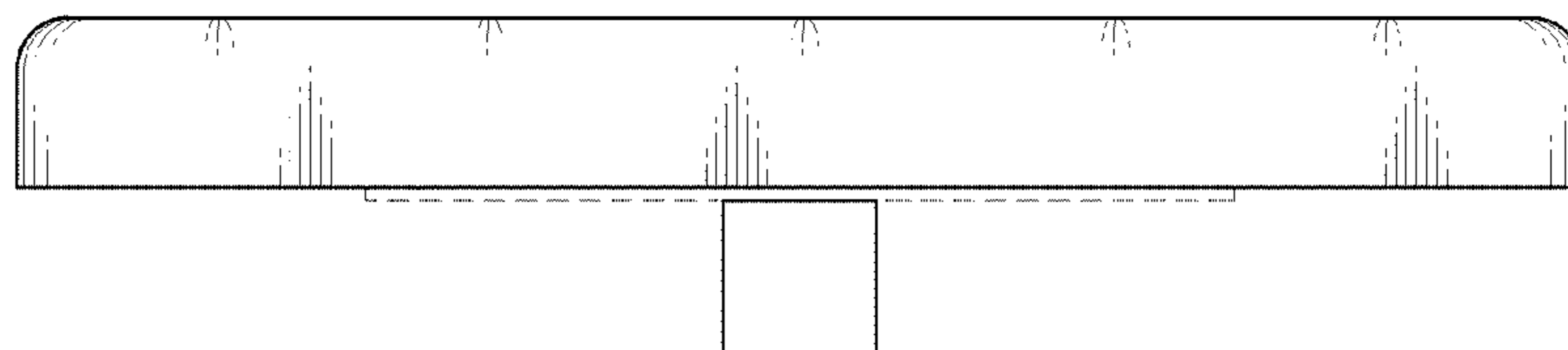


FIG. 4

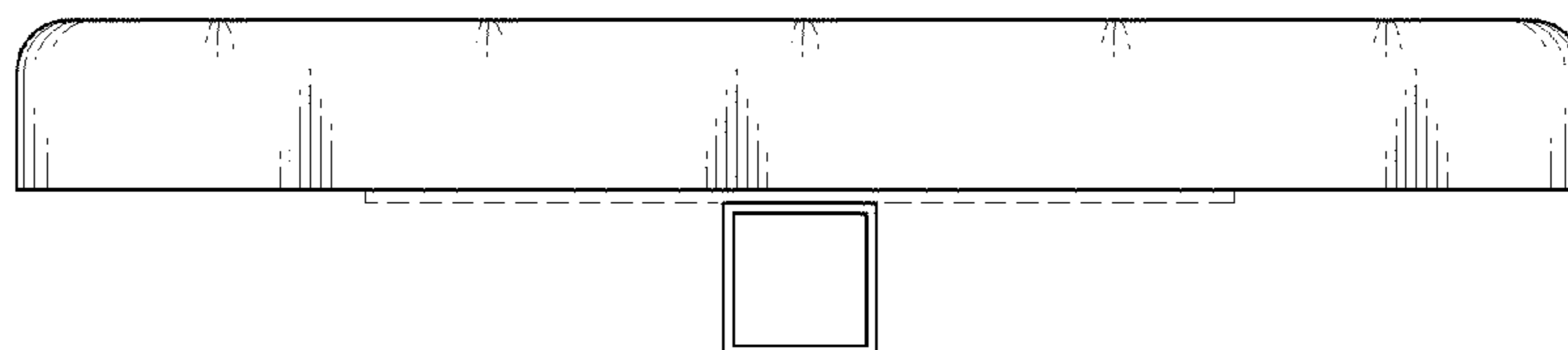


FIG. 5

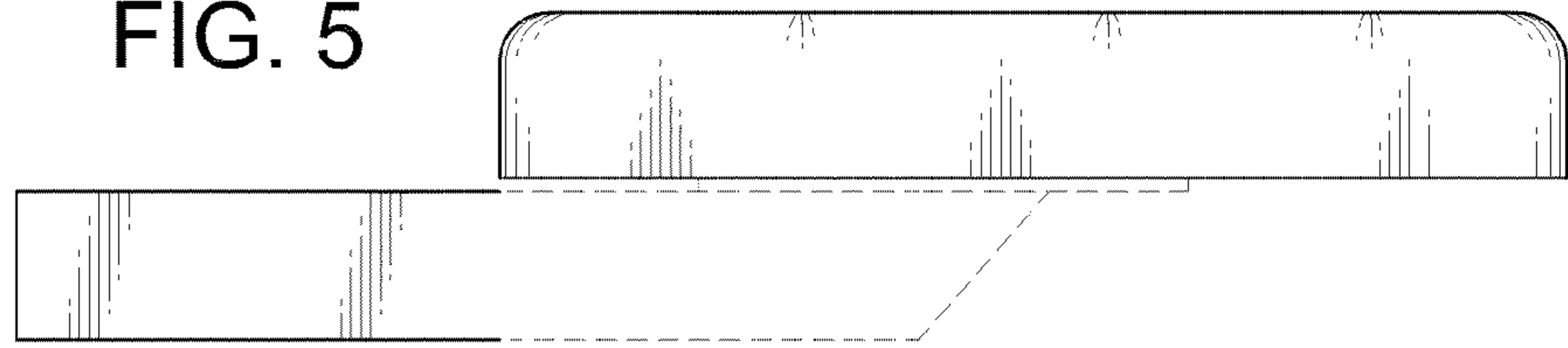


FIG. 6

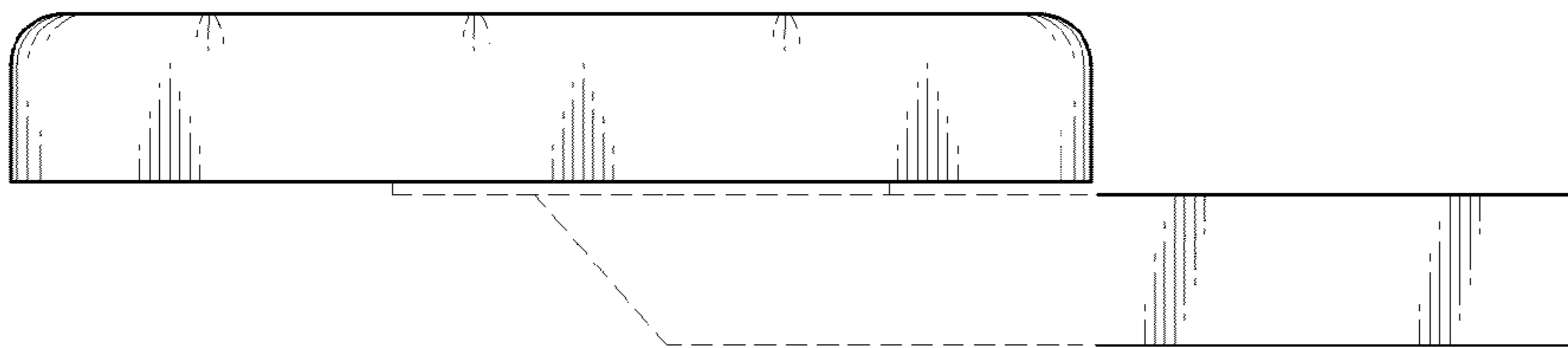


FIG. 7

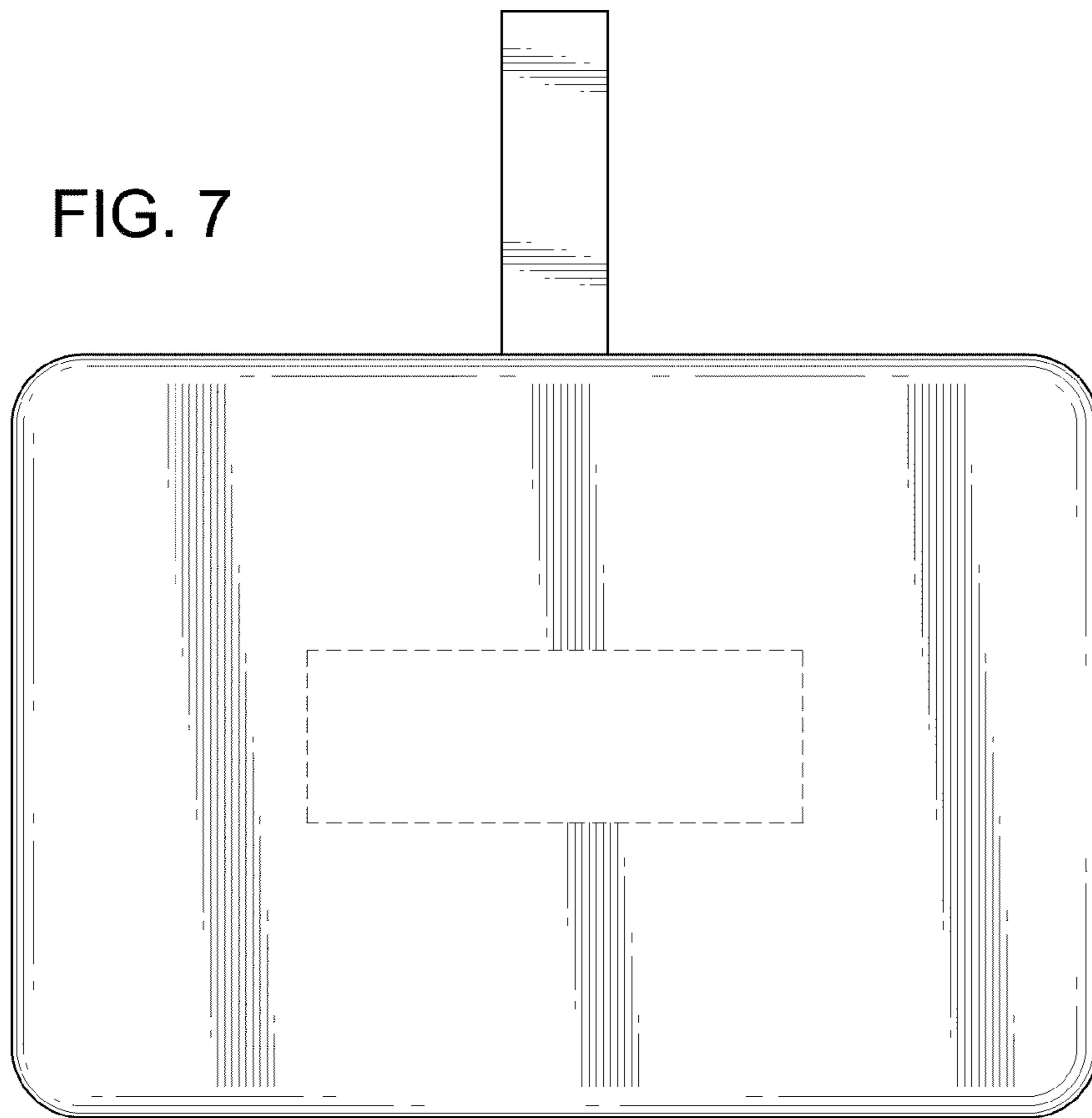
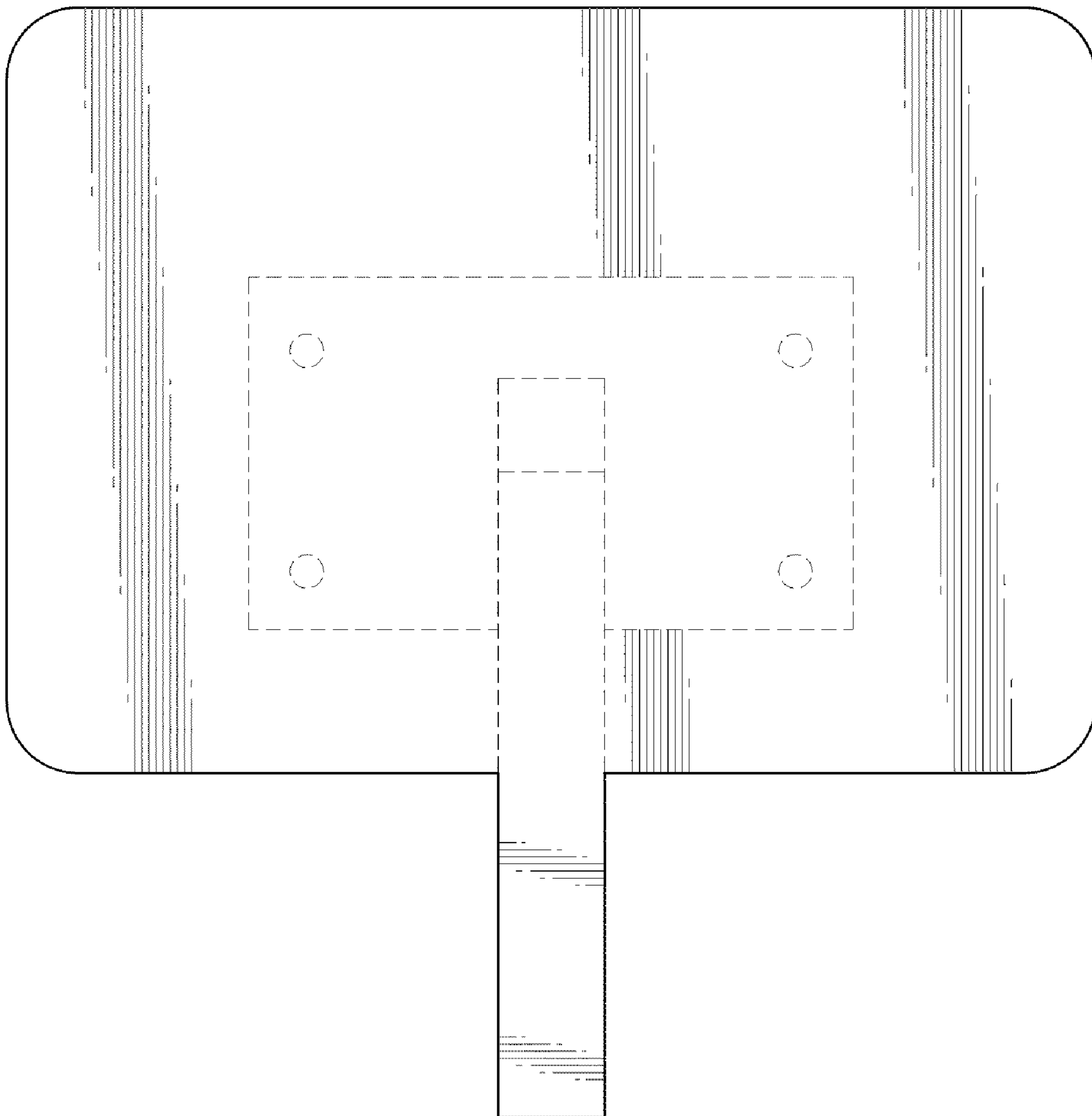


FIG. 8



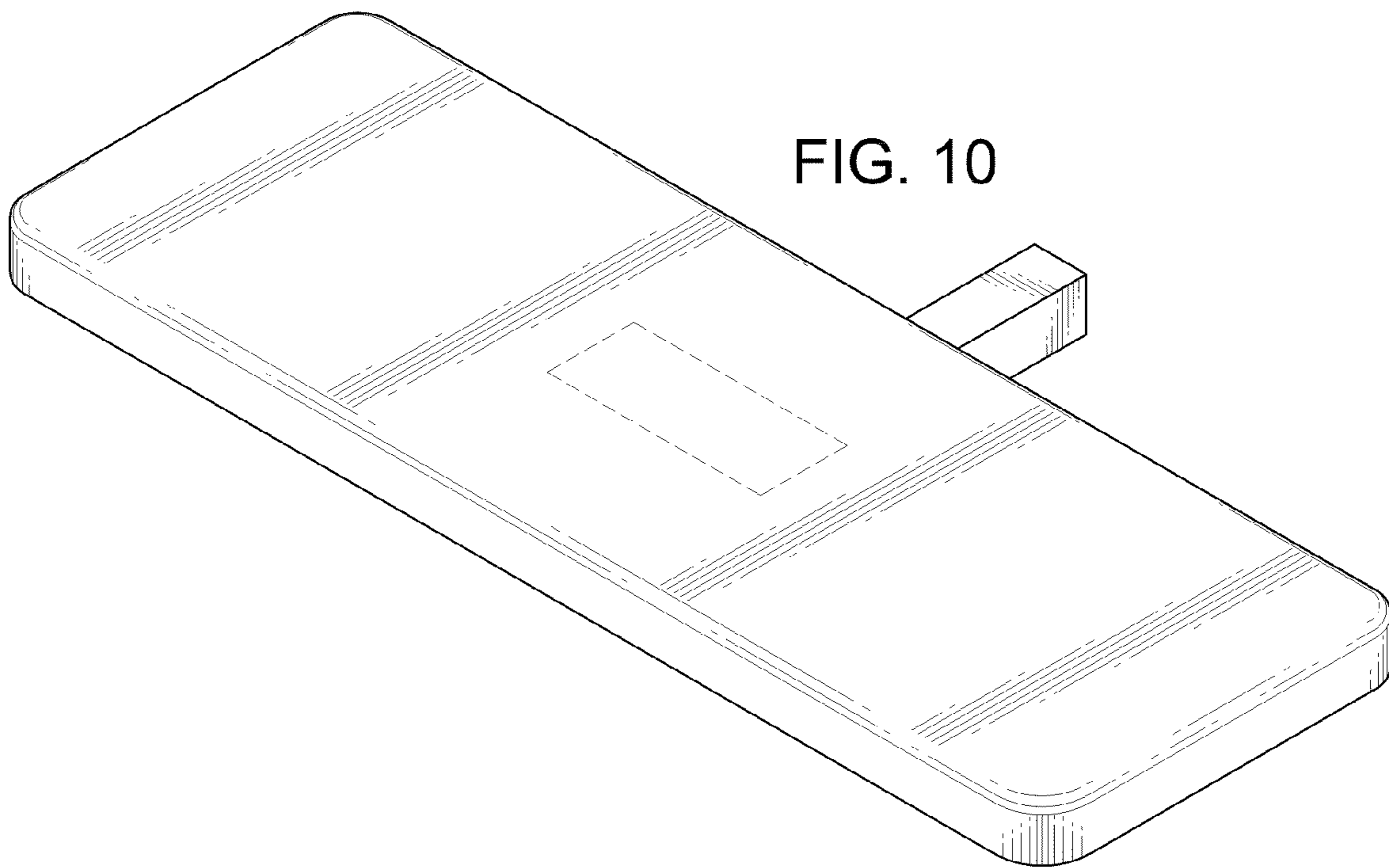
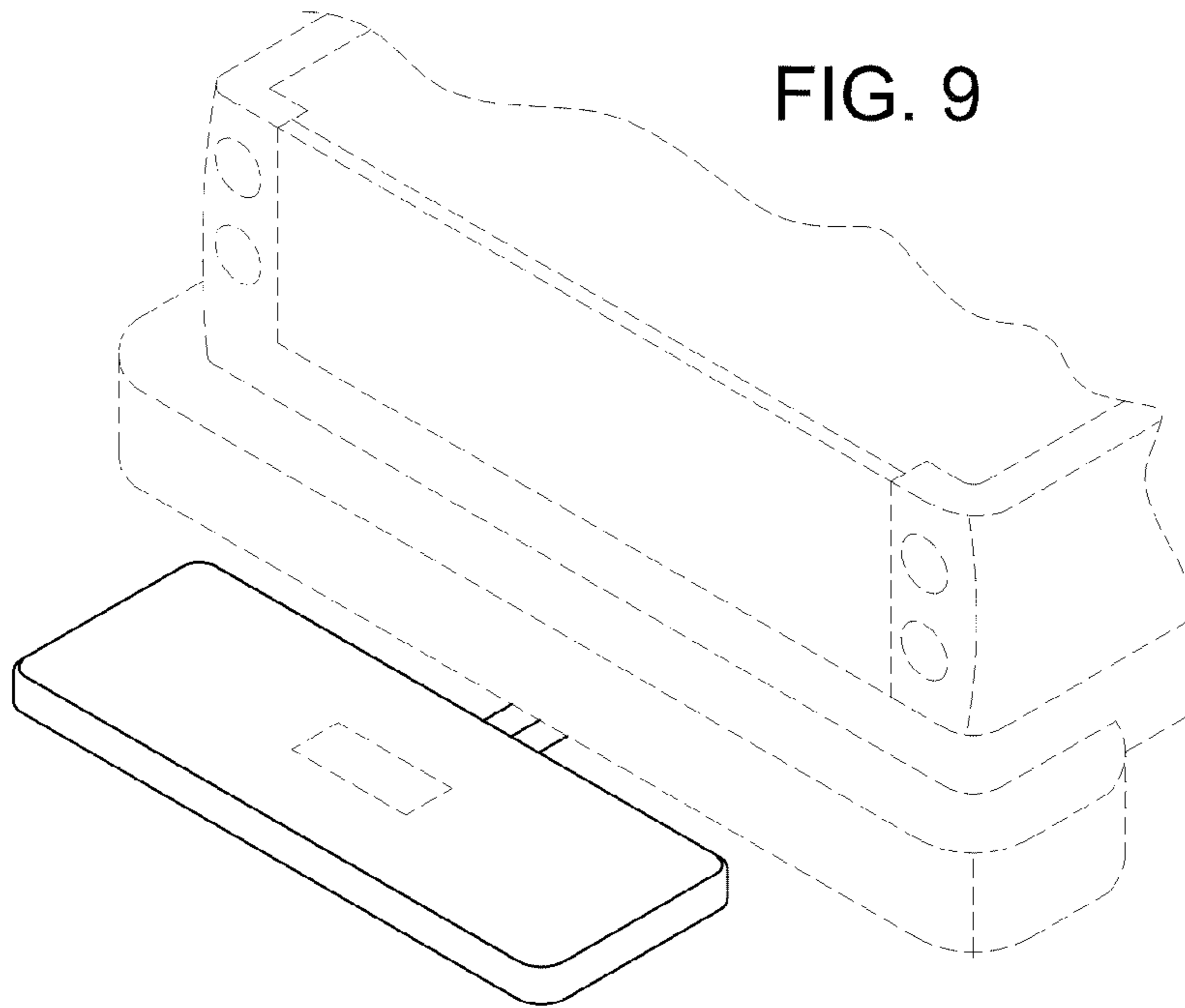


FIG. 11

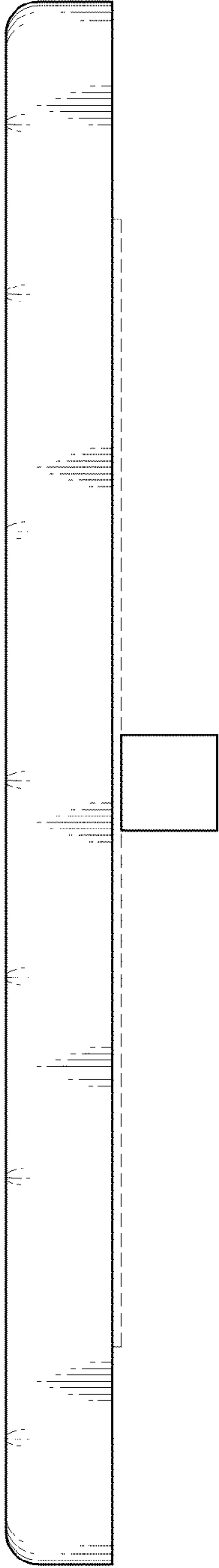


FIG. 12

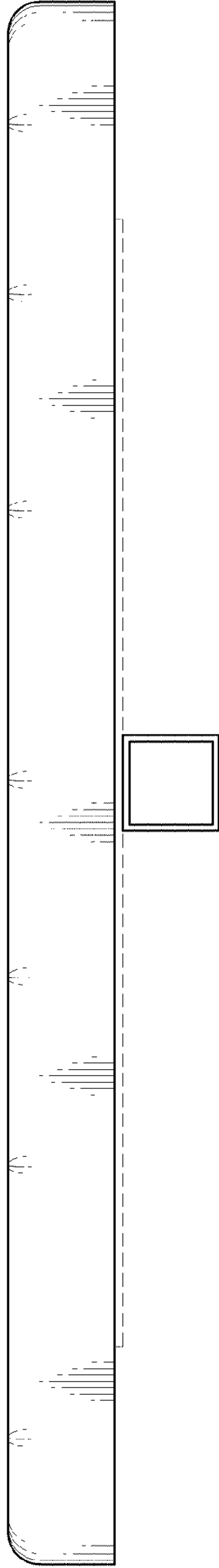


FIG. 13

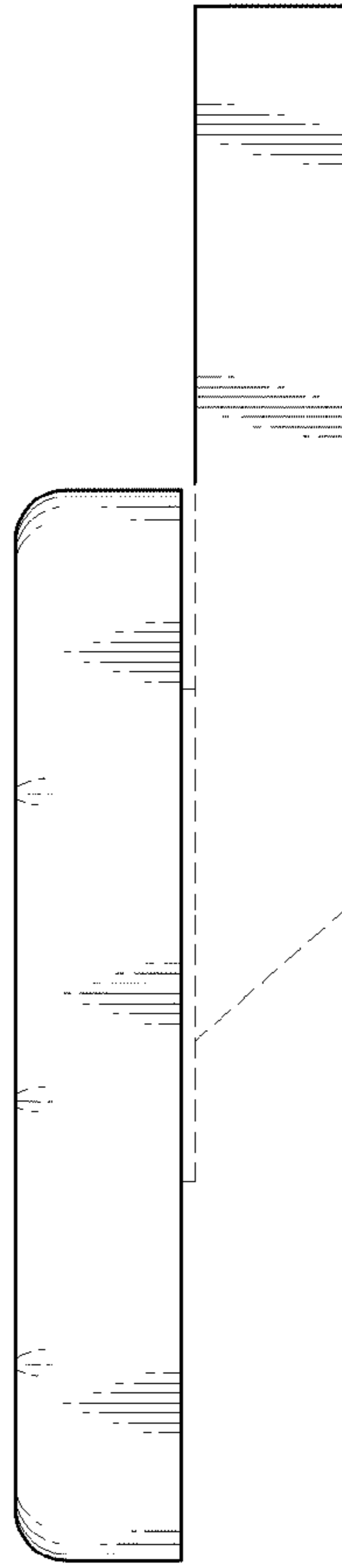
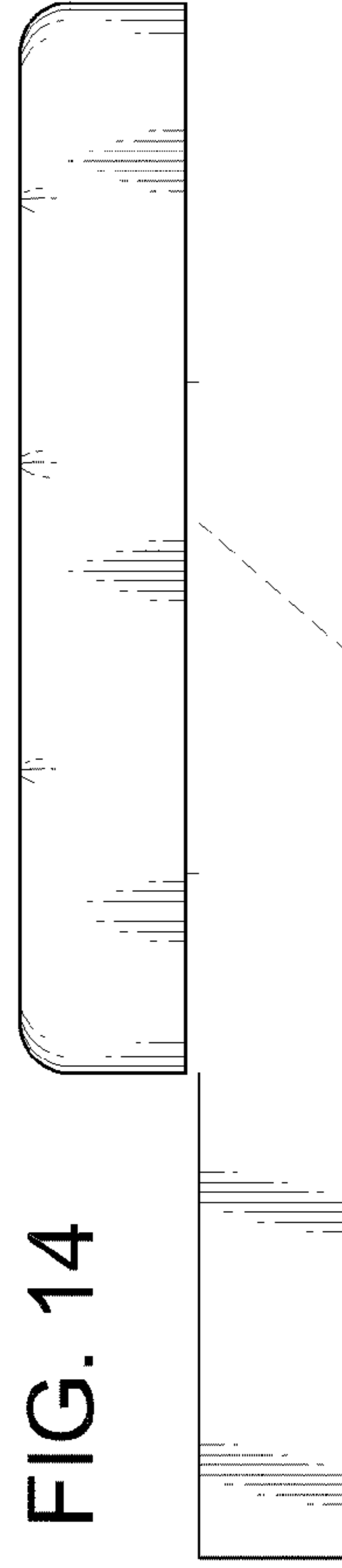


FIG. 14



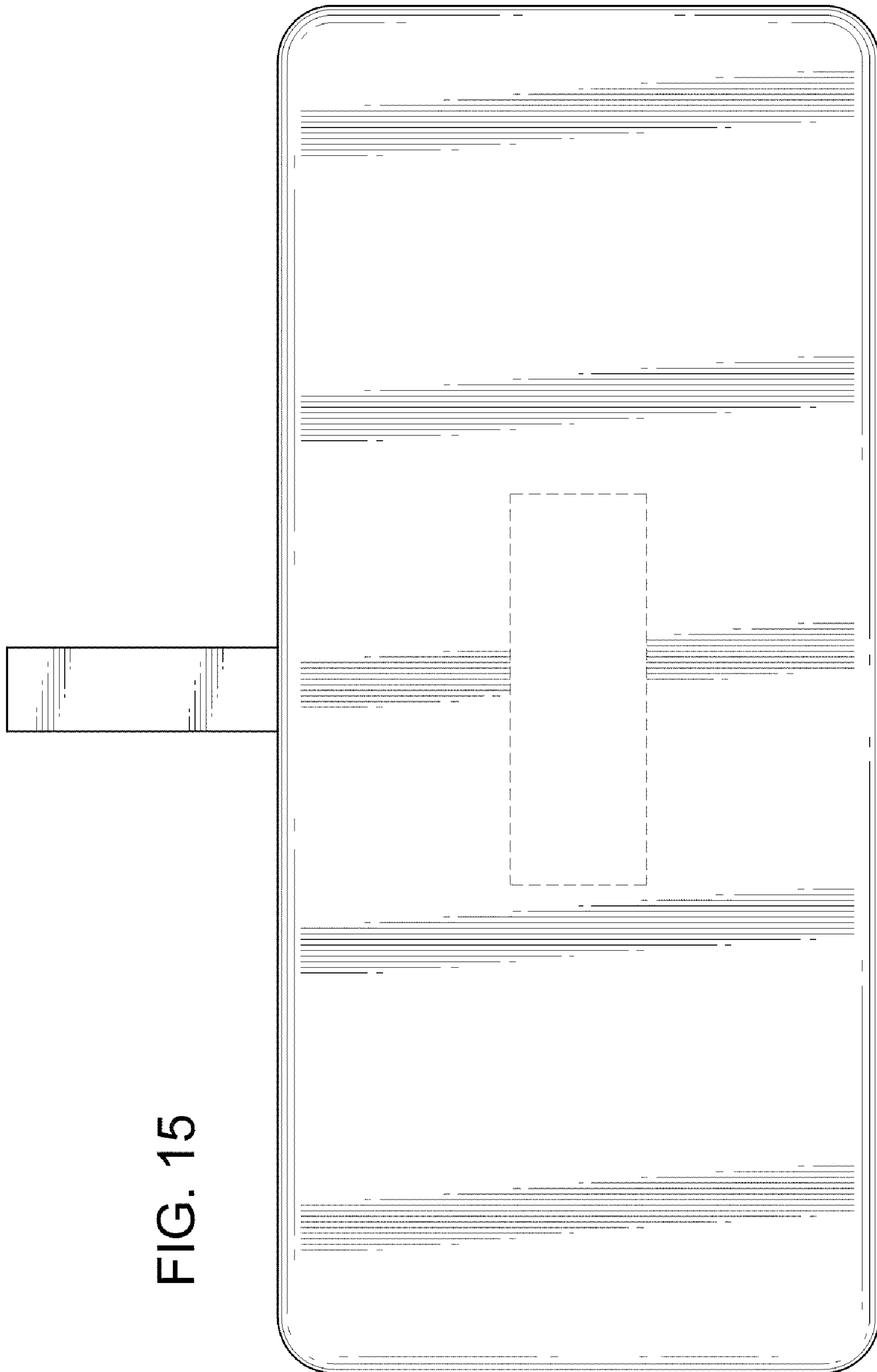


FIG. 15

FIG. 16

