



US00D641661S

(12) **United States Design Patent**  
**Zhang**

(10) **Patent No.:** **US D641,661 S**  
(45) **Date of Patent:** **\*\* Jul. 19, 2011**

(54) **BELT BUCKLE**

(76) Inventor: **Zhong Liang Zhang**, Colorado Springs, CO (US)

(\*\*) Term: **14 Years**

(21) Appl. No.: **29/359,434**

(22) Filed: **Apr. 10, 2010**

(51) **LOC (9) Cl.** ..... **02-07**

(52) **U.S. Cl.** ..... **D11/231**

(58) **Field of Classification Search** ..... D11/200–241;  
24/303, 307; 224/163, 183, 918–919, 223,  
224/673, 681; 40/640, 661.02, 1.5; D2/625–627;  
473/406

See application file for complete search history.

(56) **References Cited**

**U.S. PATENT DOCUMENTS**

1,702,890	A *	2/1929	Brauer	.....	224/223
3,136,547	A	6/1964	Schaper		
3,208,123	A	9/1965	Koos		
3,462,862	A *	8/1969	Chase	.....	40/1.5
3,579,745	A *	5/1971	Wilson	.....	24/307
4,358,036	A	11/1982	Maltais		
4,536,094	A	8/1985	Nagura		
4,736,877	A	4/1988	Clark		
4,960,239	A	10/1990	Wait		
5,419,551	A	5/1995	Hoyt et al.		
5,782,708	A	7/1998	Kimball, Jr.		
6,253,974	B1 *	7/2001	Park	.....	224/163
6,569,039	B1	5/2003	Cope		
6,634,528	B2	10/2003	Hurtgam		
D501,426	S	2/2005	Robbins		
6,923,353	B2 *	8/2005	Texidor	.....	224/163
6,997,824	B2	2/2006	Cranman		
D581,836	S *	12/2008	Bettinardi	.....	D11/231
D613,201	S *	4/2010	Orr	.....	D11/231
2006/0151562	A1	7/2006	Moor		
2007/0017950	A1	1/2007	Watlington		
2008/0230435	A1	9/2008	Cope		
2008/0295297	A1	12/2008	Su		

**FOREIGN PATENT DOCUMENTS**

CA 2511410 A1 1/2007

**OTHER PUBLICATIONS**

Home Page from “Golfbuckle.com” depicting belt buckle with ball marker and divot tool, dated Apr. 7, 2009.

\* cited by examiner

*Primary Examiner* — Catheri Oliver

(74) *Attorney, Agent, or Firm* — Eric W. Cernyar

(57) **CLAIM**

The ornamental design for a belt buckle, as shown.

**DESCRIPTION**

FIG. 1 is a perspective view from the front and top of a first embodiment of an ornamental design for a belt buckle.

FIG. 2 is an exploded perspective view of the embodiment of FIG. 1.

FIG. 3 is a front elevational view of the embodiment of FIG. 1.

FIG. 4 is a rear elevational view of the embodiment of FIG. 1.

FIG. 5 is a top plan view of the embodiment of FIG. 1.

FIG. 6 is a bottom plan view of the embodiment of FIG. 1.

FIG. 7 is a right side elevational view of the embodiment of FIG. 1.

FIG. 8 is a partial left side elevational view of the embodiment of FIG. 1.

FIG. 9 is a perspective view from the front and top of a second embodiment of an ornamental design for a belt buckle.

FIG. 10 is a front elevational view of the embodiment of FIG. 8.

FIG. 11 is a rear elevational view of the embodiment of FIG. 8.

FIG. 12 is a top plan view of the embodiment of FIG. 8.

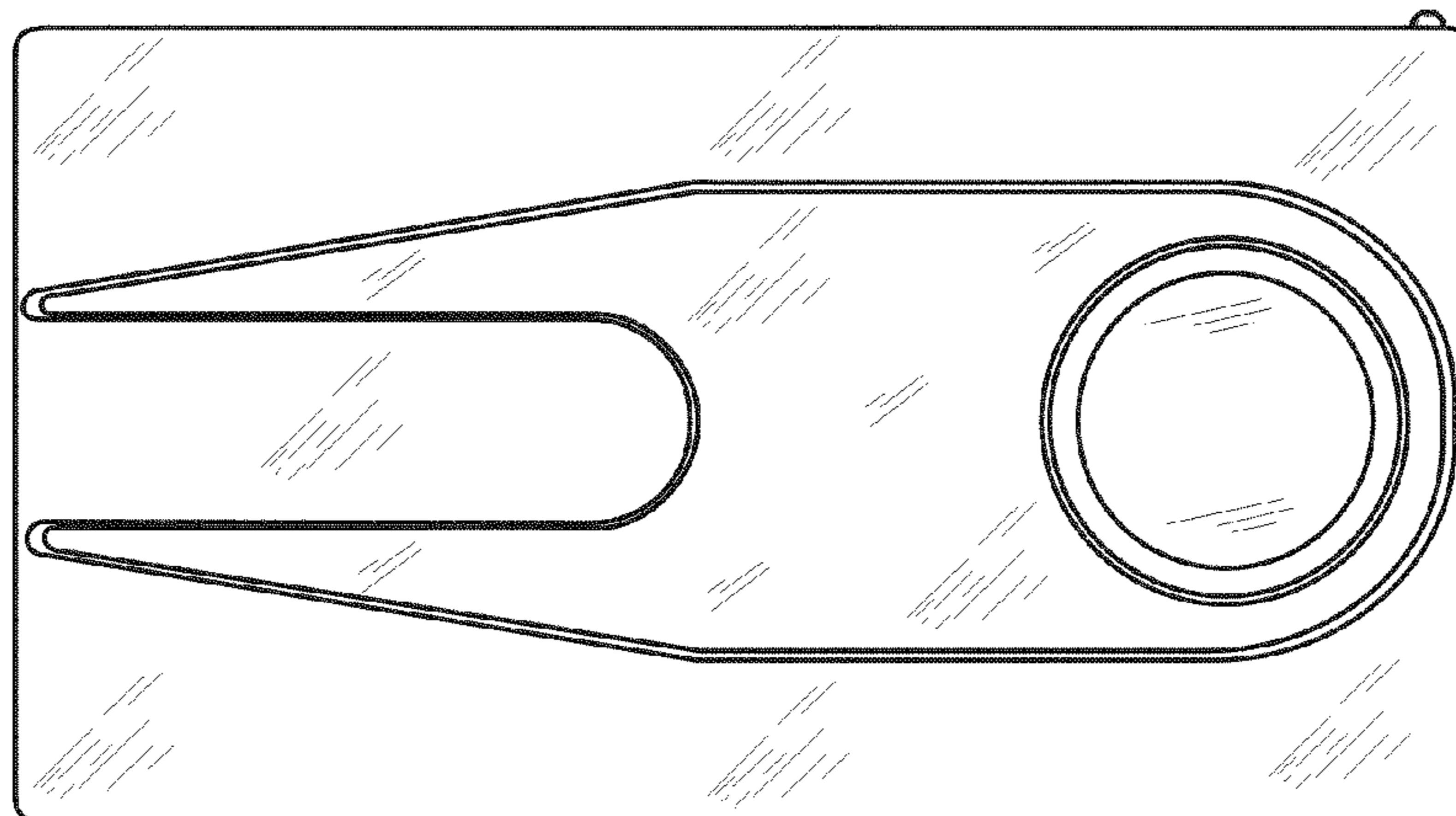
FIG. 13 is a bottom plan view of the embodiment of FIG. 8.

FIG. 14 is a right side elevational view of the embodiment of FIG. 8; and,

FIG. 15 is a partial left side elevational view of the embodiment of FIG. 8.

The broken line portions of the drawings form no part of the claimed design or a specific embodiment thereof.

**1 Claim, 5 Drawing Sheets**



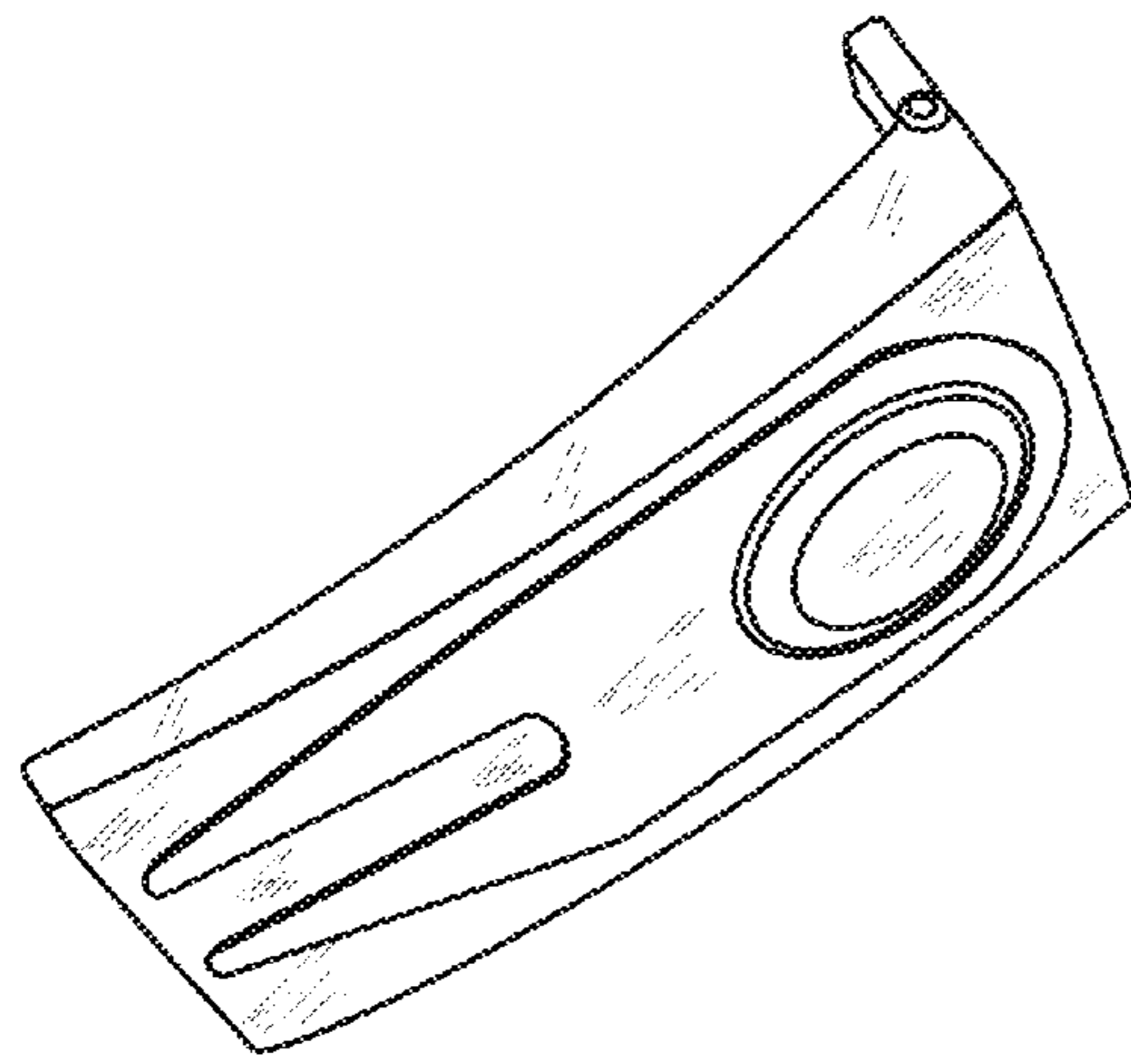


FIG. 1

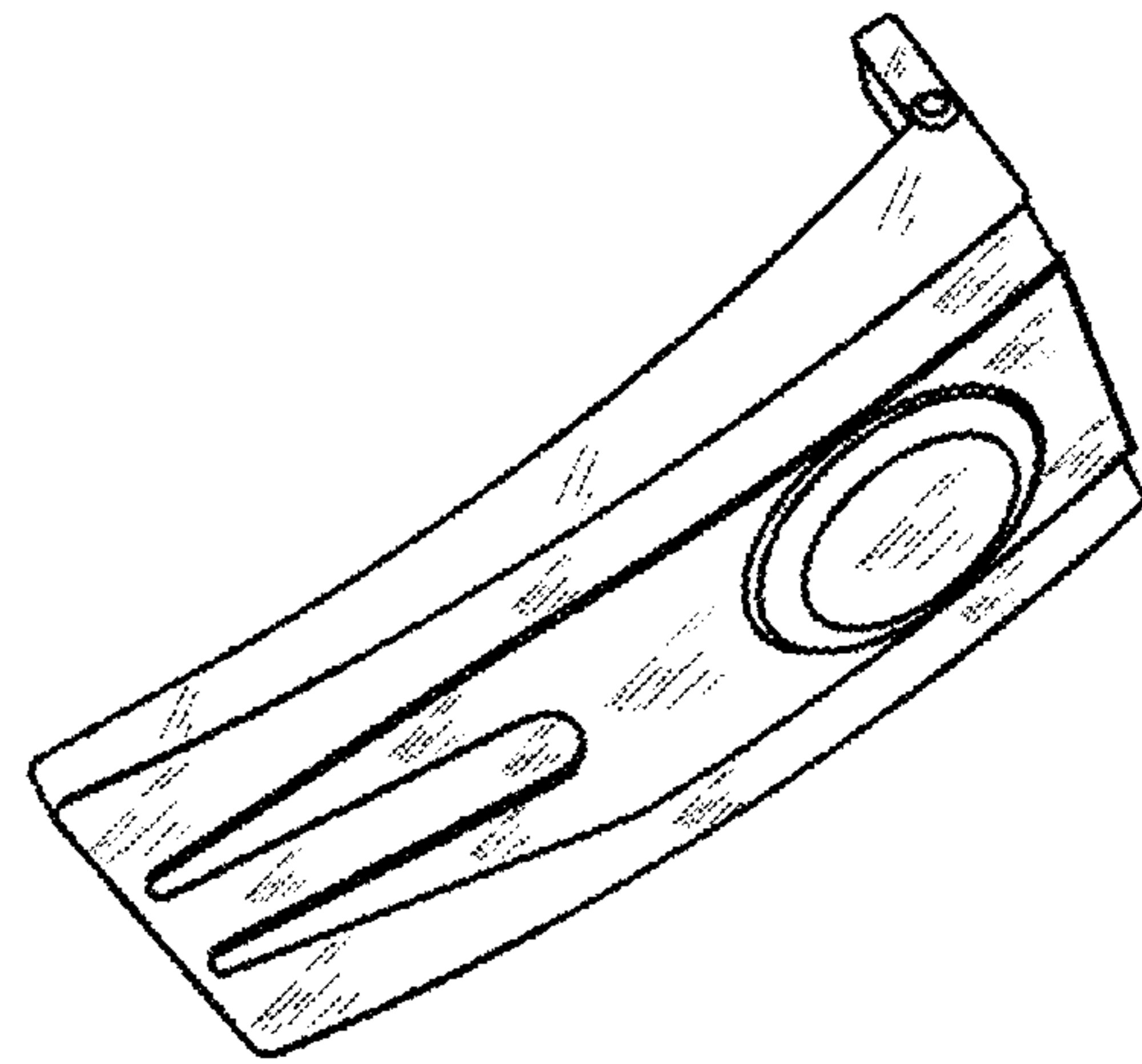


FIG. 9

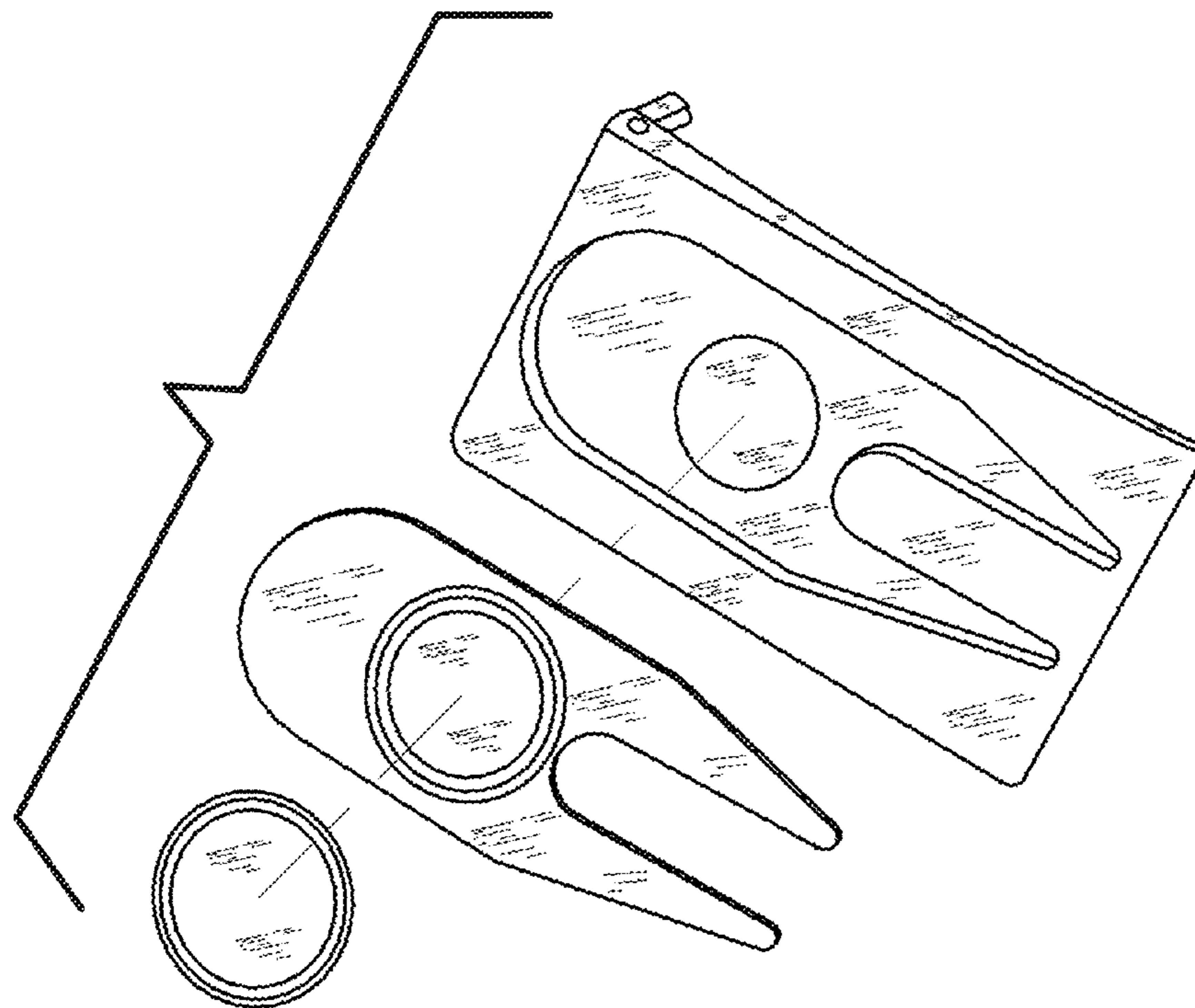


FIG. 2

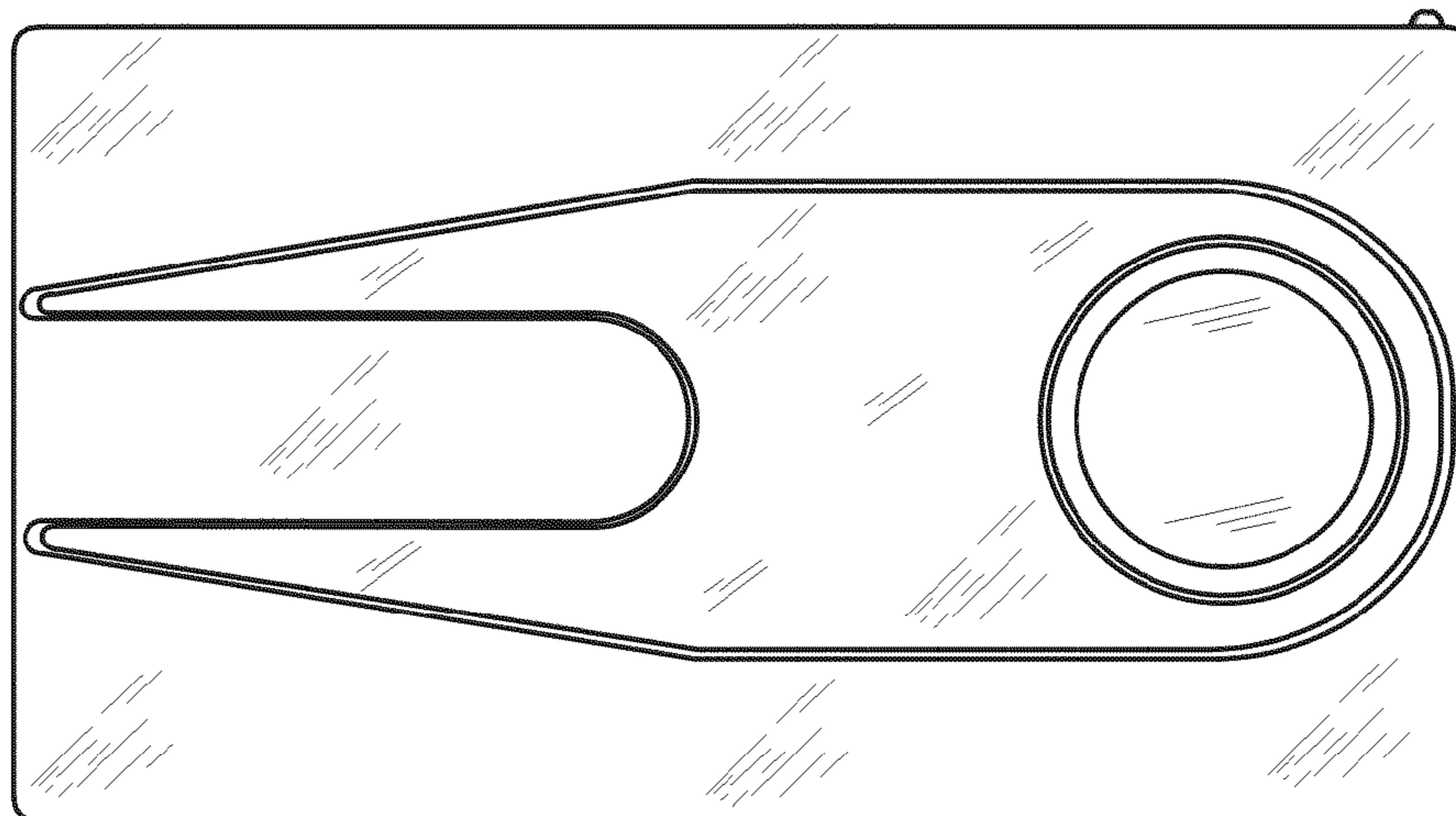


FIG. 3

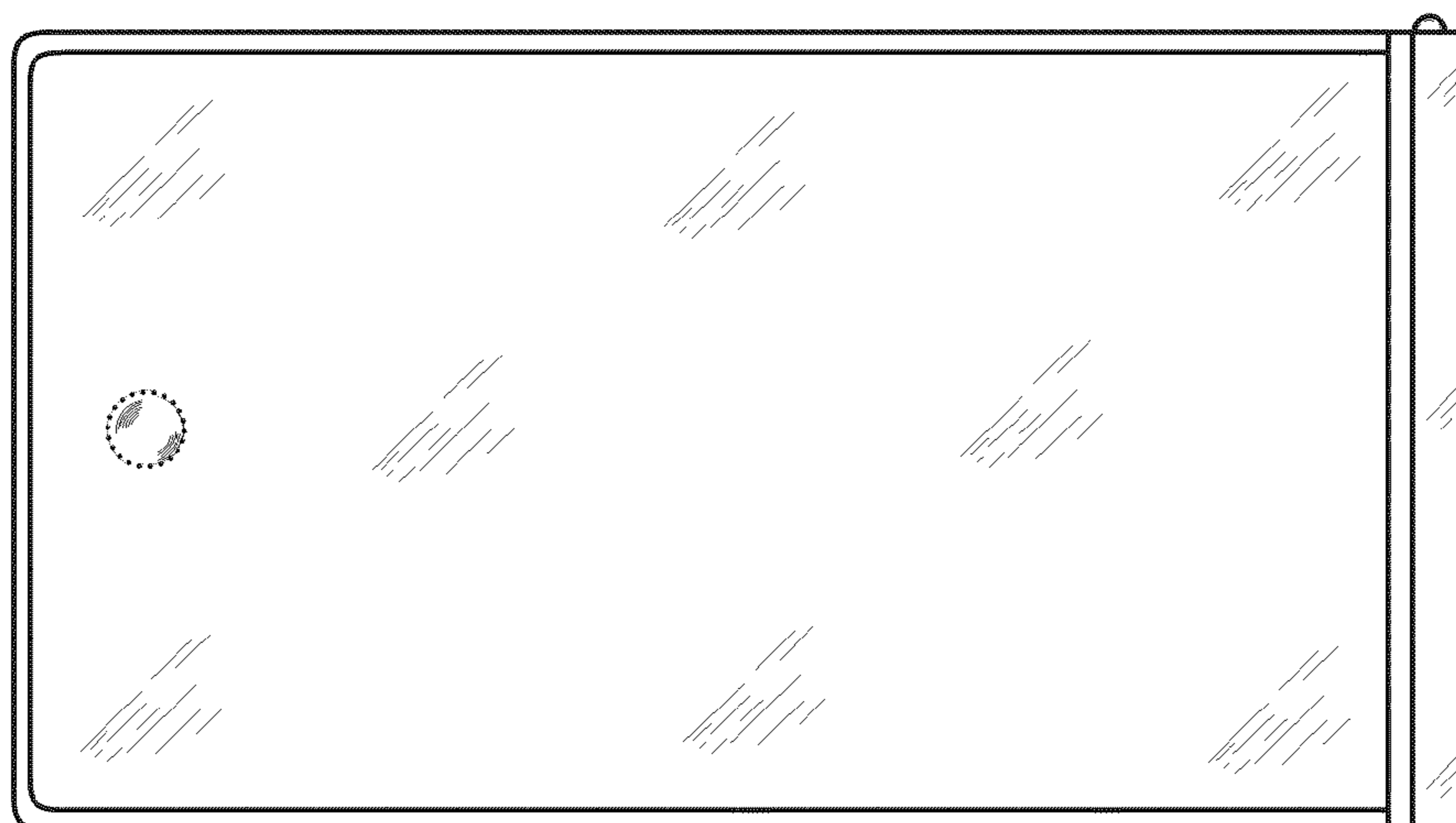


FIG. 4



FIG. 5

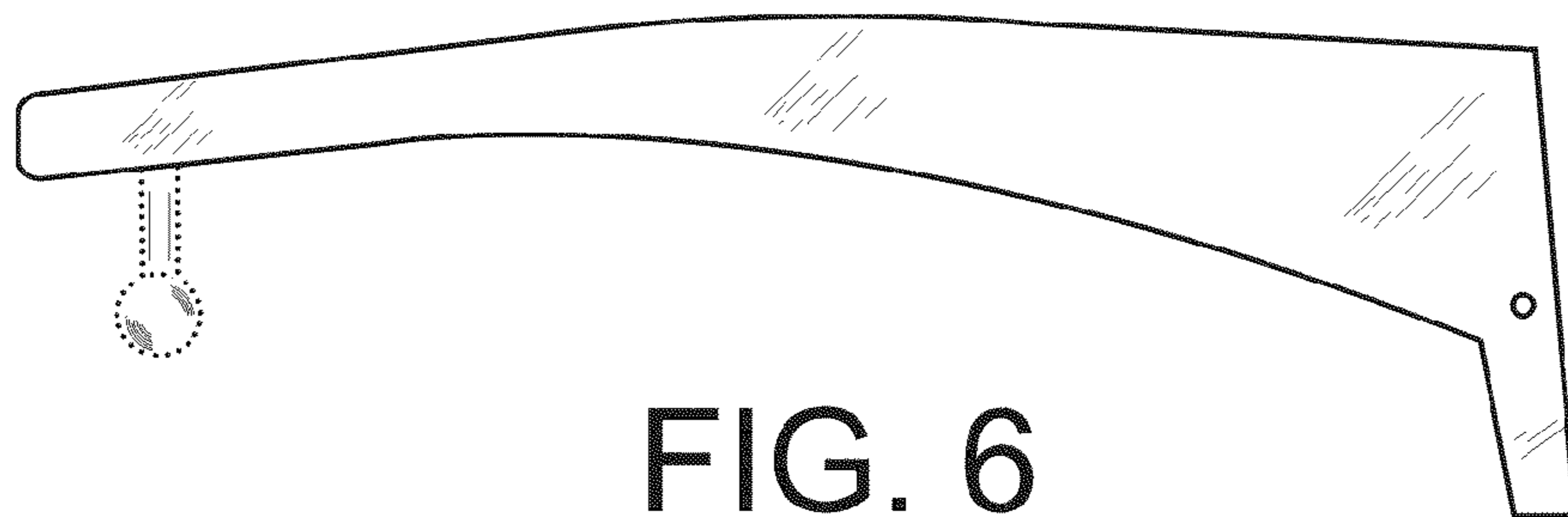


FIG. 6

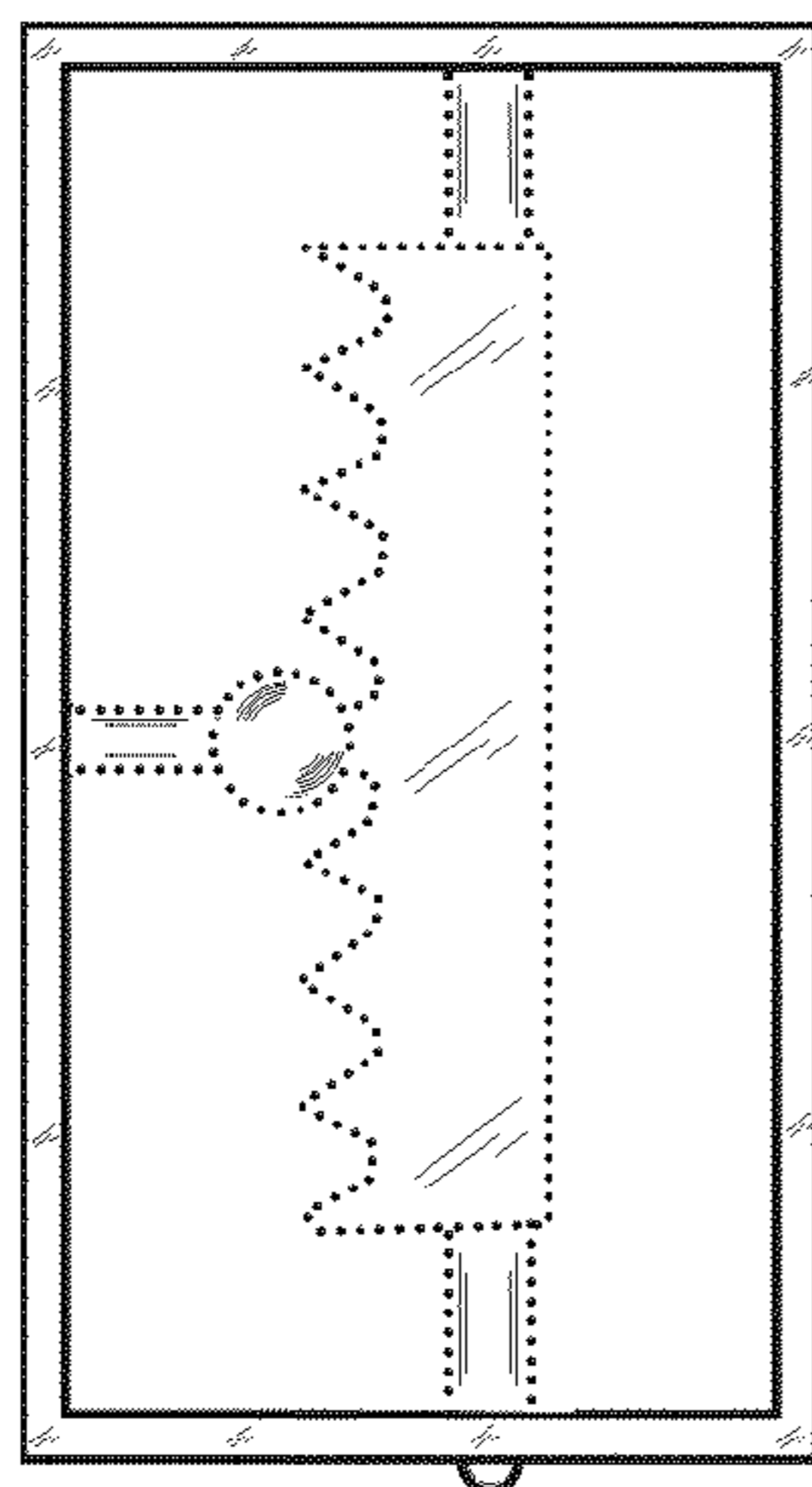


FIG. 7

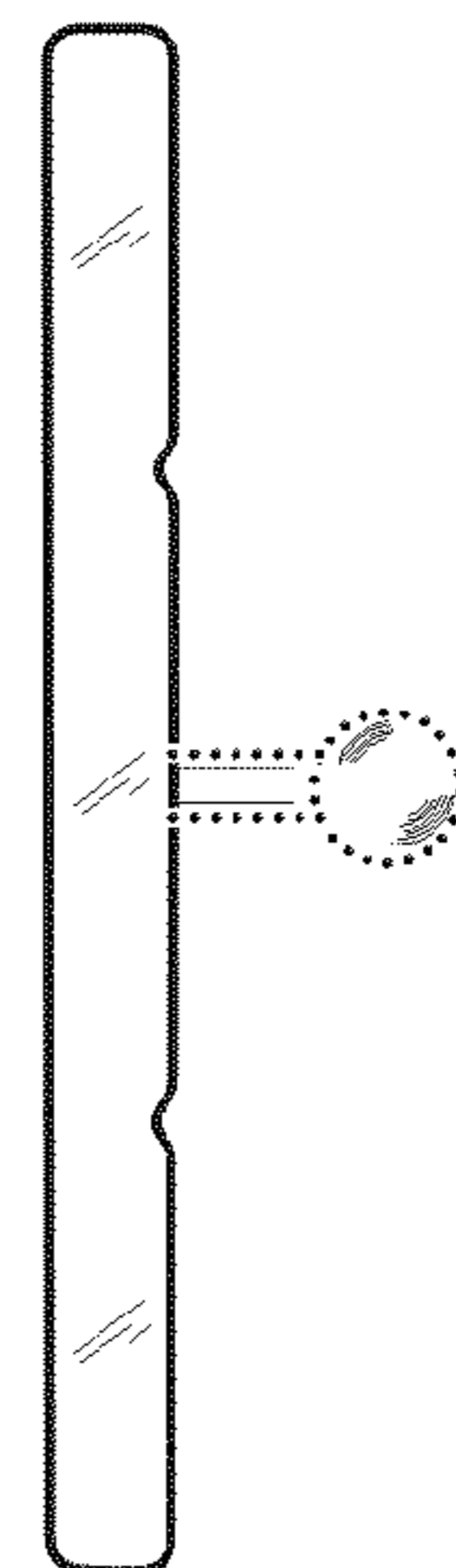


FIG. 8

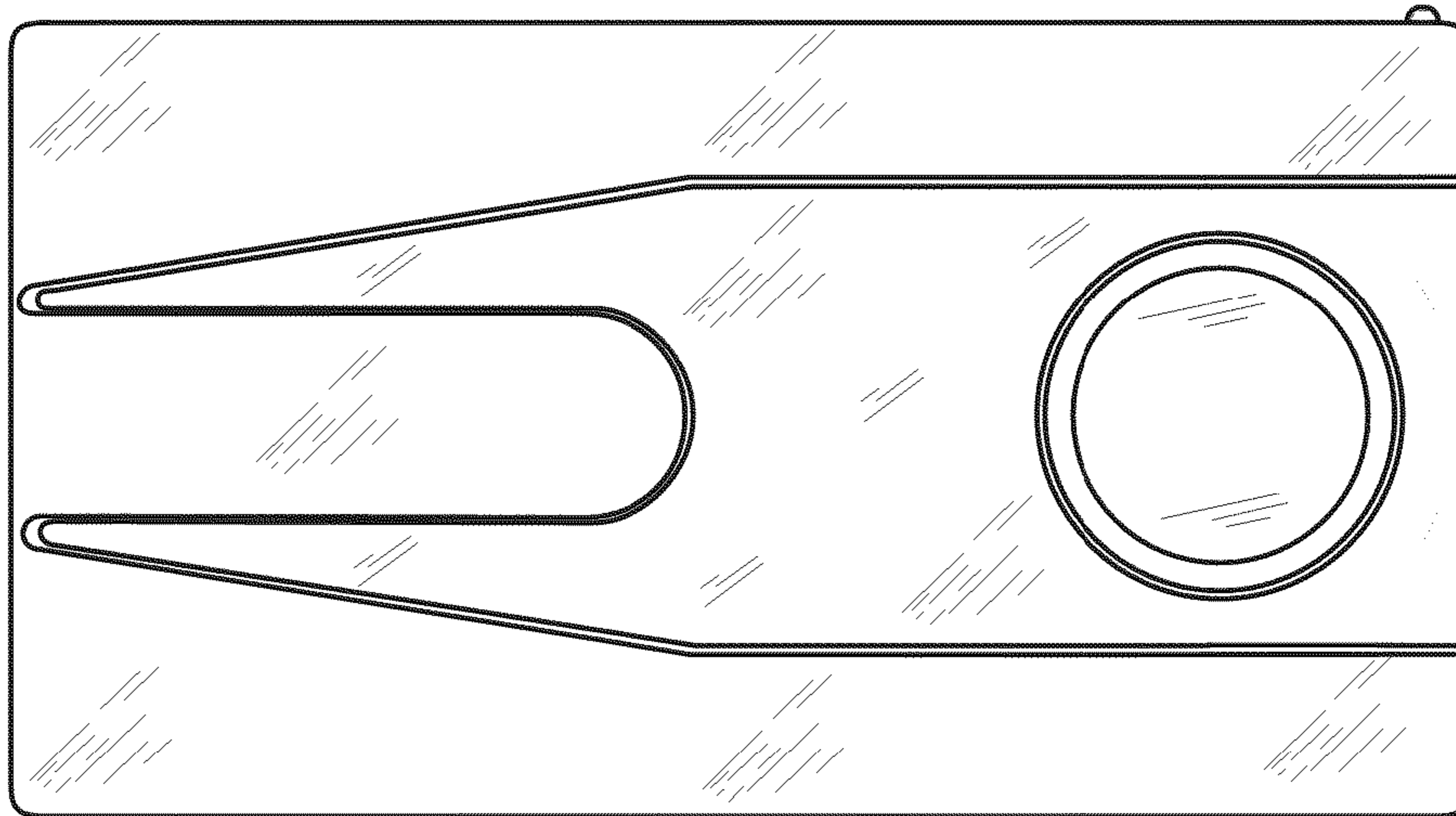


FIG. 10

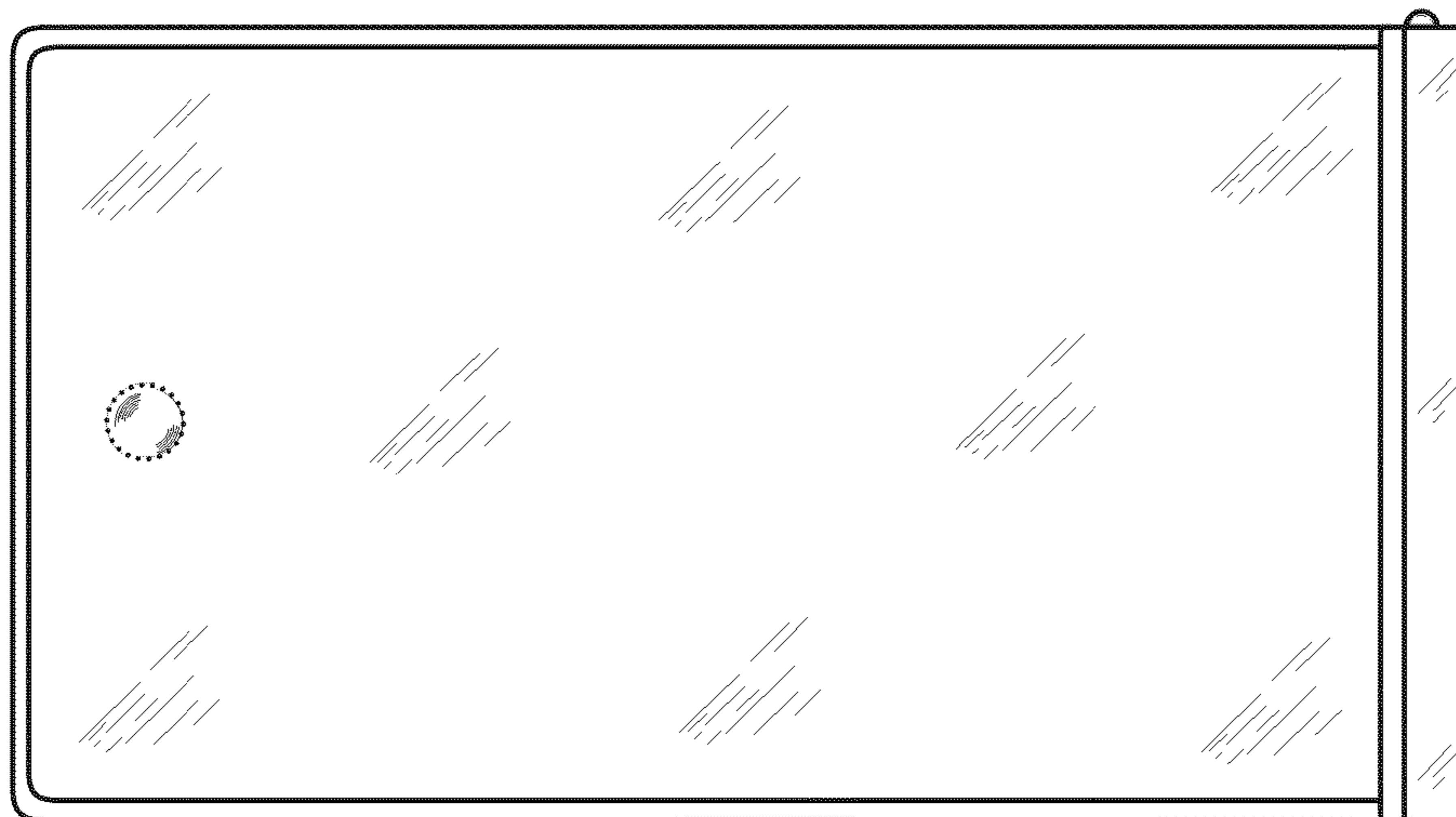


FIG. 11



FIG. 12

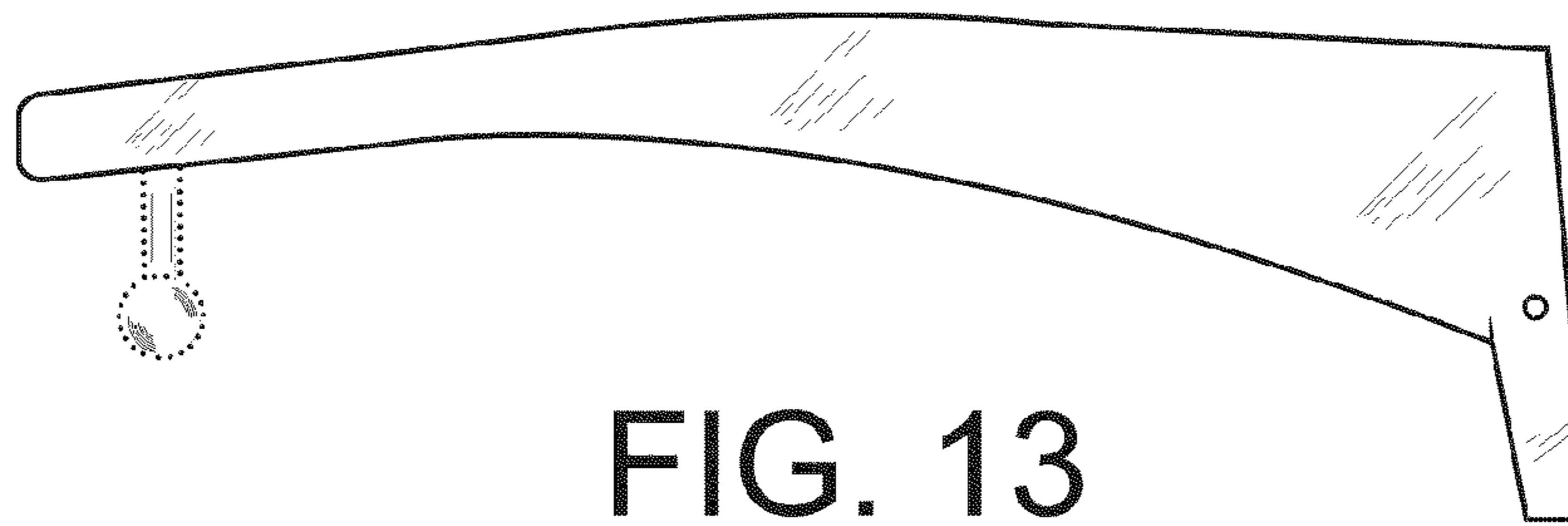


FIG. 13

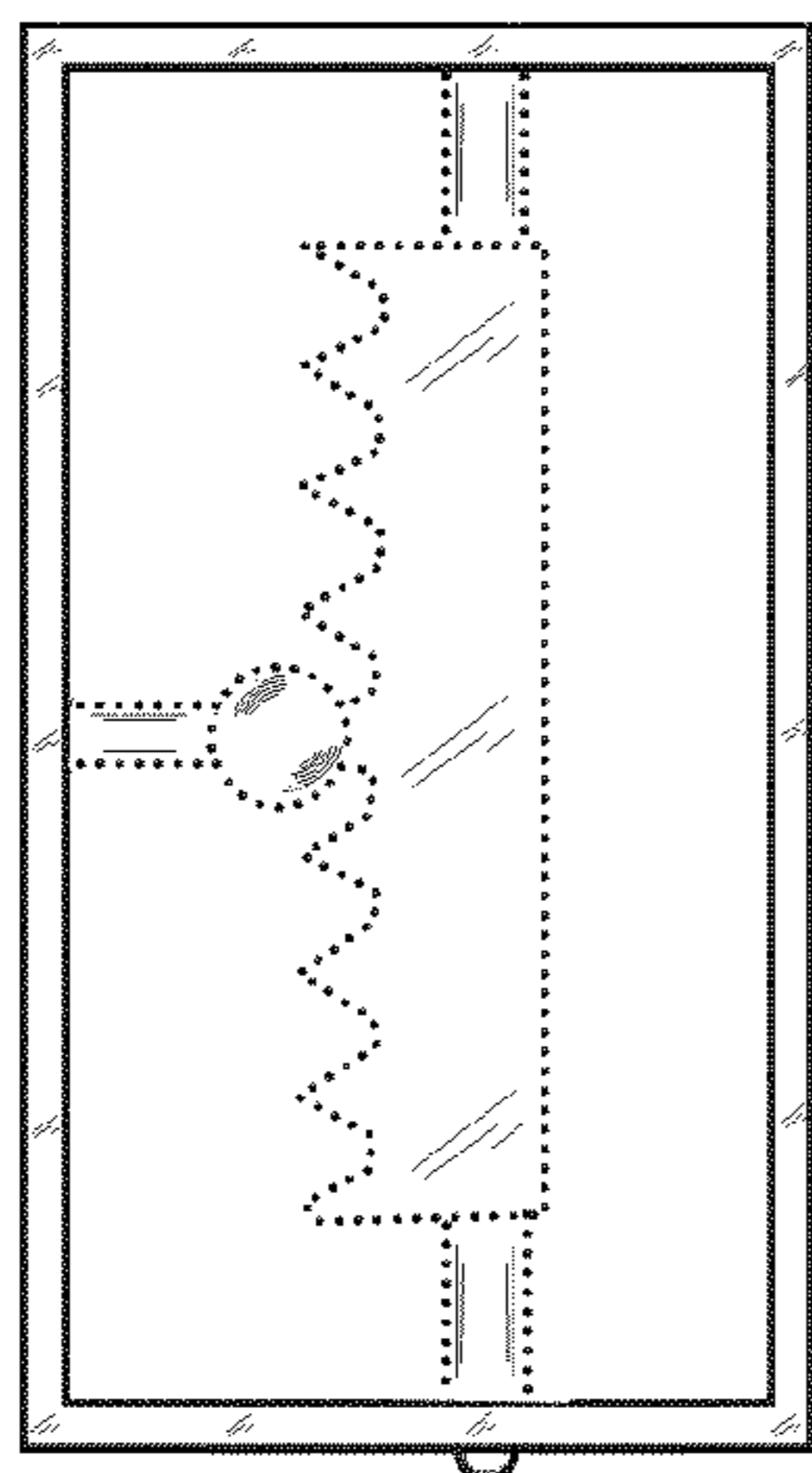


FIG. 14

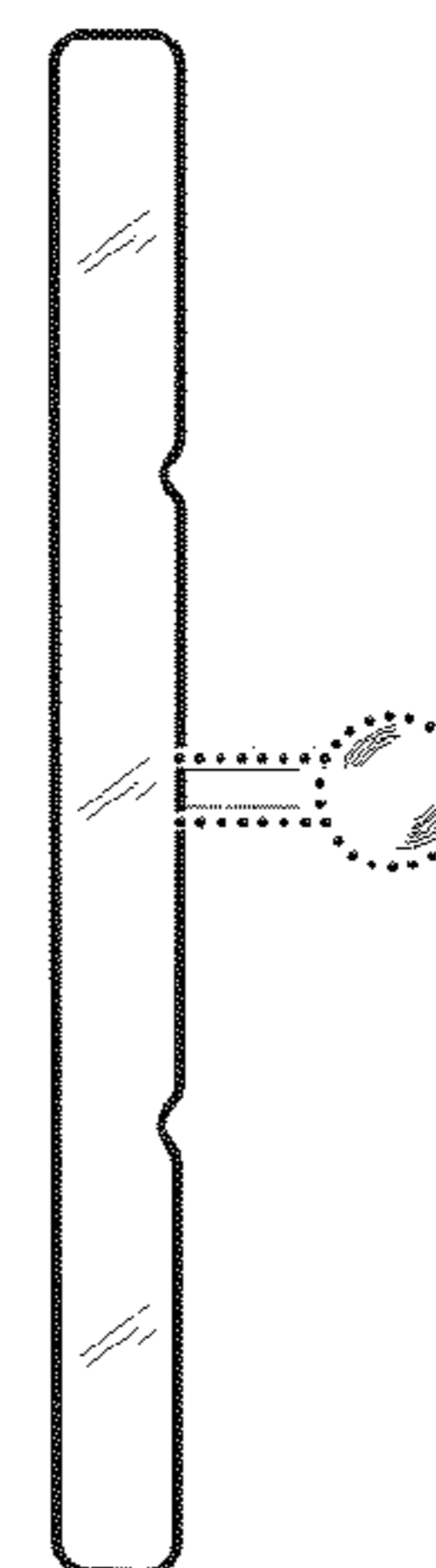


FIG. 15