

US00D641657S

(12) **United States Design Patent**
Wardenburg

(10) **Patent No.:** **US D641,657 S**

(45) **Date of Patent:** **** Jul. 19, 2011**

(54) **PLANT TRAY DOME**

(75) **Inventor:** **Peter Wardenburg**, Petaluma, CA (US)

(73) **Assignee:** **Hydrofarm, Inc.**, Petaluma, CA (US)

(**) **Term:** **14 Years**

(21) **Appl. No.:** **29/360,465**

(22) **Filed:** **Apr. 26, 2010**

(51) **LOC (9) Cl.** **11-02**

(52) **U.S. Cl.** **D11/145; D11/155**

(58) **Field of Classification Search** D6/403-405,
D6/556-558; D8/1; D11/143-156, 164;
D19/77, 80, 81; D26/9-11, 16; D34/1, 2,
D34/4-6; D99/5, 19; 47/17, 32.4, 32.5,
47/32.7, 33, 41.01, 41.1, 41.11-41.15, 44-47,
47/65, 65.5, 65.9, 66.6, 66.7, 67-71

See application file for complete search history.

(56) **References Cited**

U.S. PATENT DOCUMENTS

2,722,778 A * 11/1955 Carufel D11/156
3,082,575 A * 3/1963 Schulz D11/144
4,291,494 A * 9/1981 Knablein et al. 47/17

D352,917 S * 11/1994 DesLaurier D11/155
5,548,924 A * 8/1996 Mekler 47/69
D409,947 S * 5/1999 Bongard et al. D11/155
D489,288 S * 5/2004 Balsdon D11/155
D596,527 S * 7/2009 Kertz D11/145
D606,451 S * 12/2009 Kertz D11/145

* cited by examiner

Primary Examiner — Garth Rademaker

(74) *Attorney, Agent, or Firm* — Craig M. Stainbrook;
Stainbrook & Stainbrook, LLP

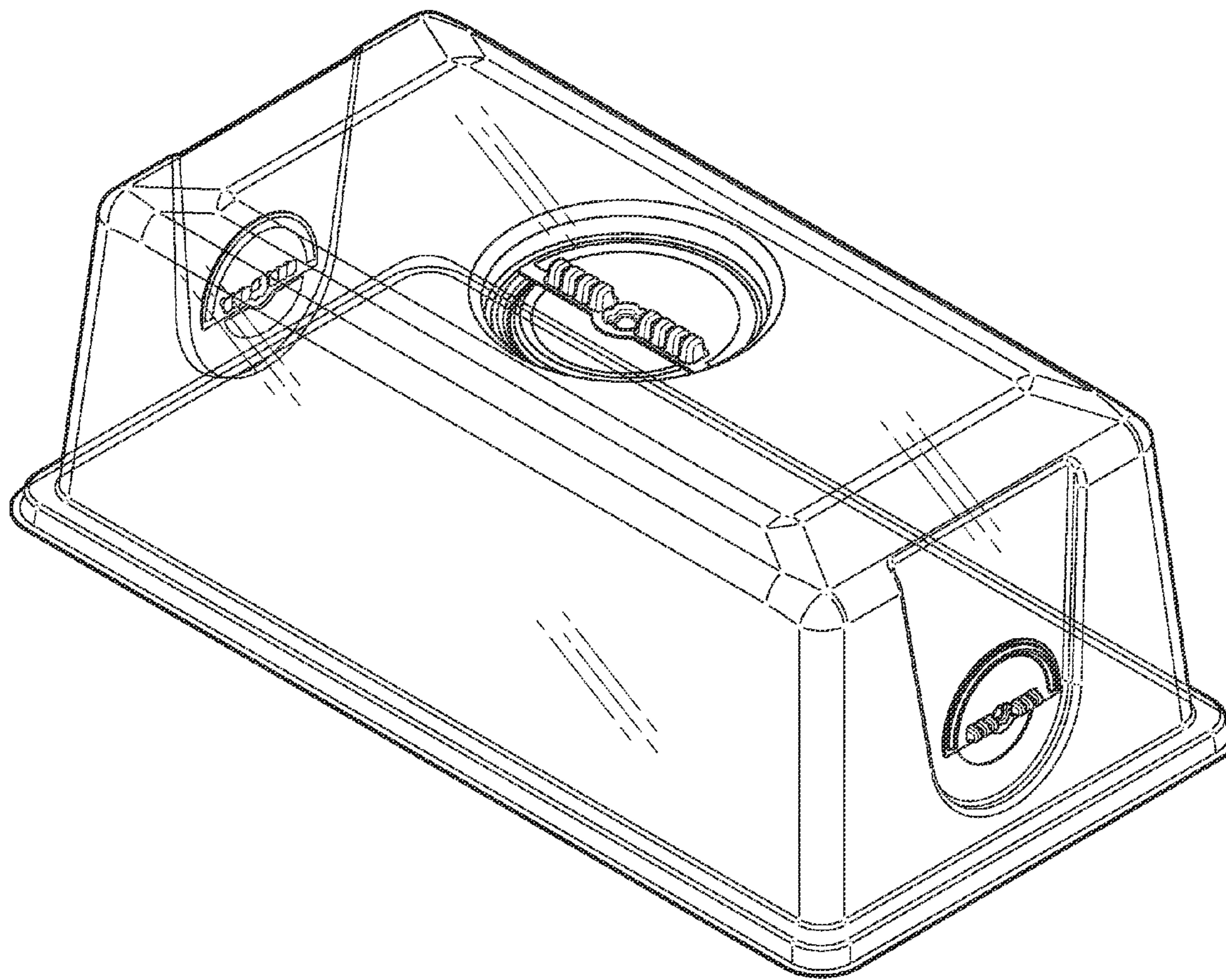
(57) **CLAIM**

The ornamental design for a plant tray dome, as shown and described.

DESCRIPTION

FIG. 1 is a top, front, right side perspective view of a plant tray dome, showing a first embodiment of the design; FIG. 2 is a right side elevation view thereof, the left side elevation view being a mirror image thereof; FIG. 3 is a front elevation view thereof; and, FIG. 4 is a top plan view thereof.

1 Claim, 2 Drawing Sheets



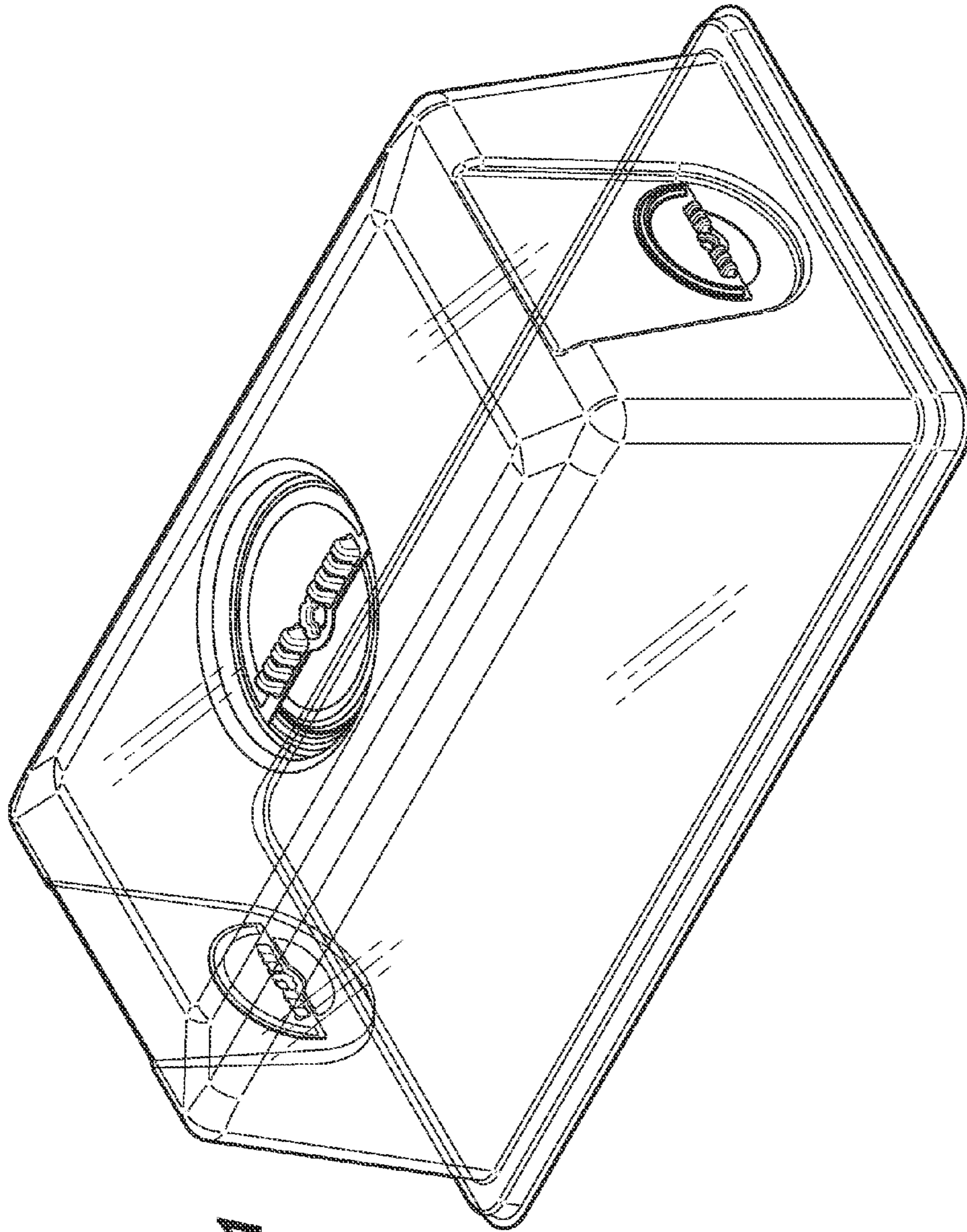


FIG. 1

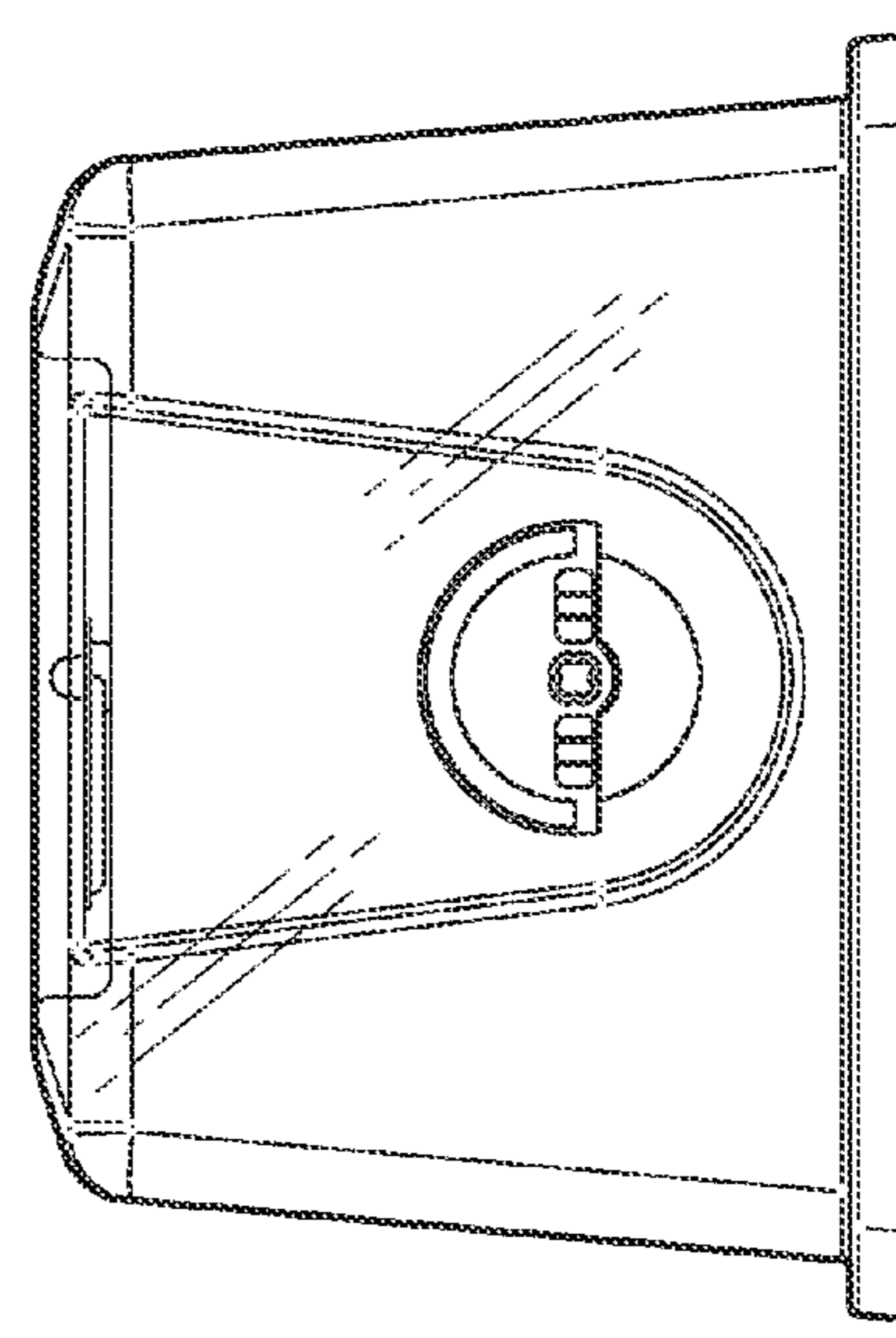


FIG. 2

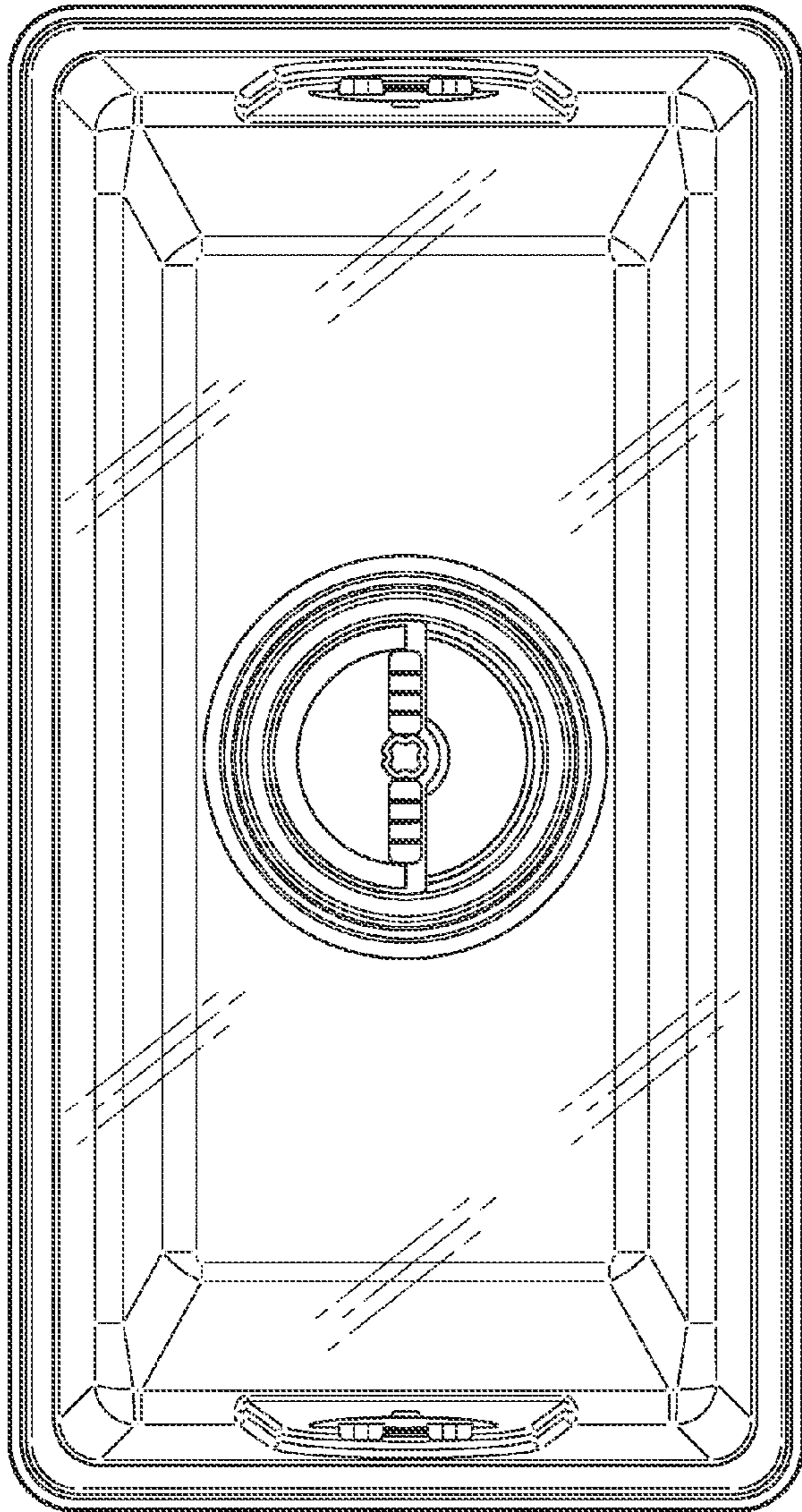


FIG. 4

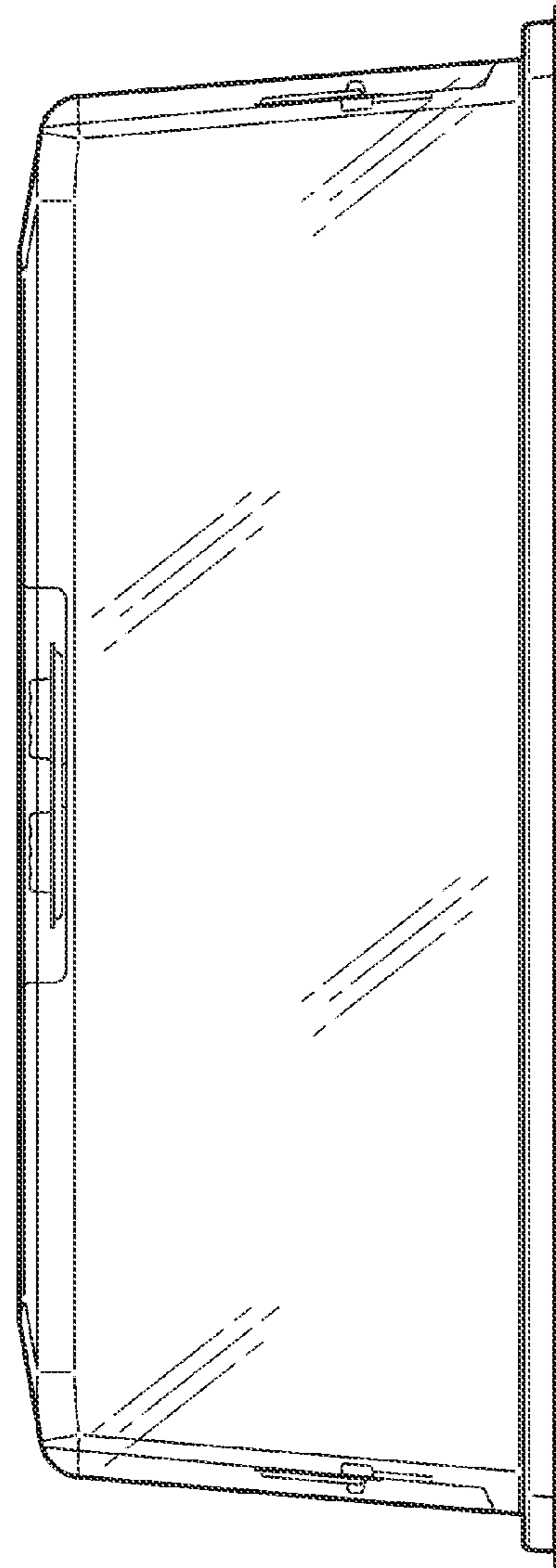


FIG. 3