



US00D641654S

(12) **United States Design Patent**
Hawkinson

(10) **Patent No.:** **US D641,654 S**

(45) **Date of Patent:** **** Jul. 19, 2011**

(54) **SUSPENDED ILLUMINATED VASE**

4,398,760 A * 8/1983 Kirk D6/403
D284,360 S * 6/1986 Pollitz D11/148
D517,411 S * 3/2006 Okimoto D11/152

(76) Inventor: **Ann Hawkinson**, Palo Alto, CA (US)

* cited by examiner

(**) Term: **14 Years**

Primary Examiner — Garth Rademaker

(21) Appl. No.: **29/364,227**

(74) *Attorney, Agent, or Firm* — John Merchant

(22) Filed: **Jun. 21, 2010**

(57) **CLAIM**

(51) **LOC (9) Cl.** **11-02**

The ornamental design for a suspended illuminated vase, as shown and described.

(52) **U.S. Cl.** **D11/144; D11/148**

DESCRIPTION

(58) **Field of Classification Search** D6/403–405,
D6/556–668; D8/1; D11/143–156, 164;
D19/77, 80, 81, 84; D25/100; D26/9–11,
D26/16, 19; D34/1, 2, 4–6; D99/5, 19; 47/17,
47/32.4, 32.5, 32.7, 33, 39, 41.01, 41.1, 41.11–41.15,
47/44–47, 63, 65.5, 65.9, 66.1, 66.2, 66.6,
47/66.7, 67–71

FIG. 1 is a top perspective view of a suspended illuminated vase;

FIG. 2 is a side elevation view thereof, the opposite side elevation view being identical thereto;

FIG. 3 is a front elevation view thereof, the rear elevation view thereof being identical thereto;

FIG. 4 is a top plan view thereof, showing only the vase portion thereof for ease of disclosure.

FIG. 5 is a bottom plan view thereof, showing only the light-fixture portion thereof for ease of disclosure; and,

FIG. 6 is a bottom perspective view thereof.

The broken lines depict environmental subject matter only and form no part of the claimed design.

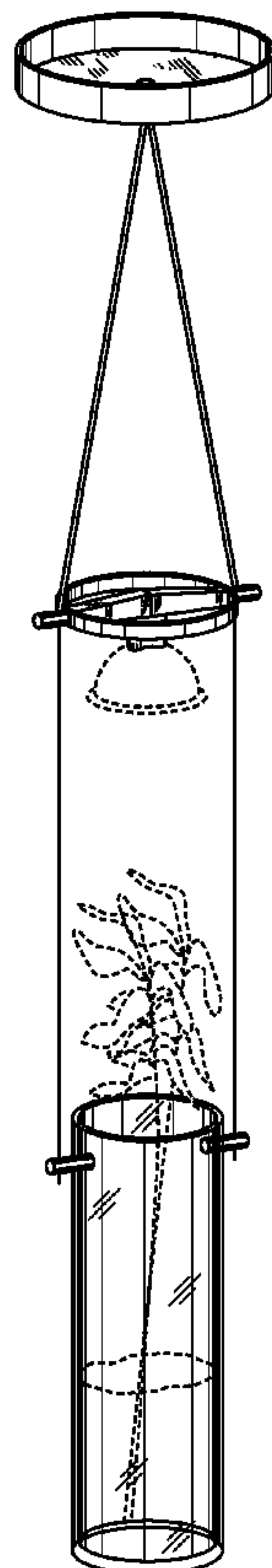
See application file for complete search history.

(56) **References Cited**

U.S. PATENT DOCUMENTS

2,152,869 A * 4/1939 Campbell 47/41.01
3,830,013 A * 8/1974 Lesley 47/63
D235,601 S * 7/1975 Lewis D11/148
4,078,625 A * 3/1978 Loeb 47/39
D253,095 S * 10/1979 Beatty D11/148

1 Claim, 6 Drawing Sheets



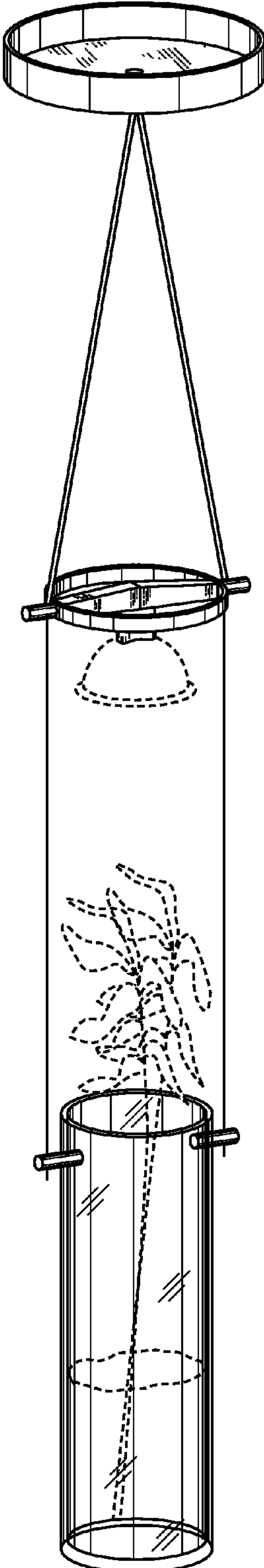


FIG. 1

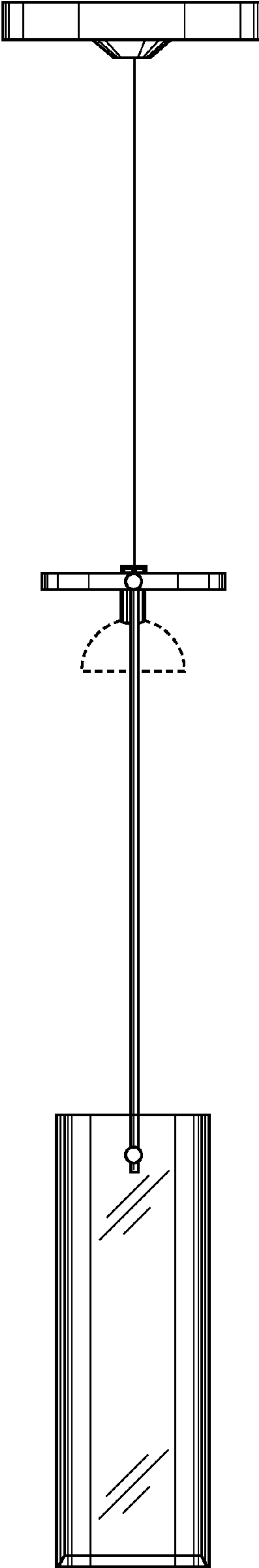


FIG. 2

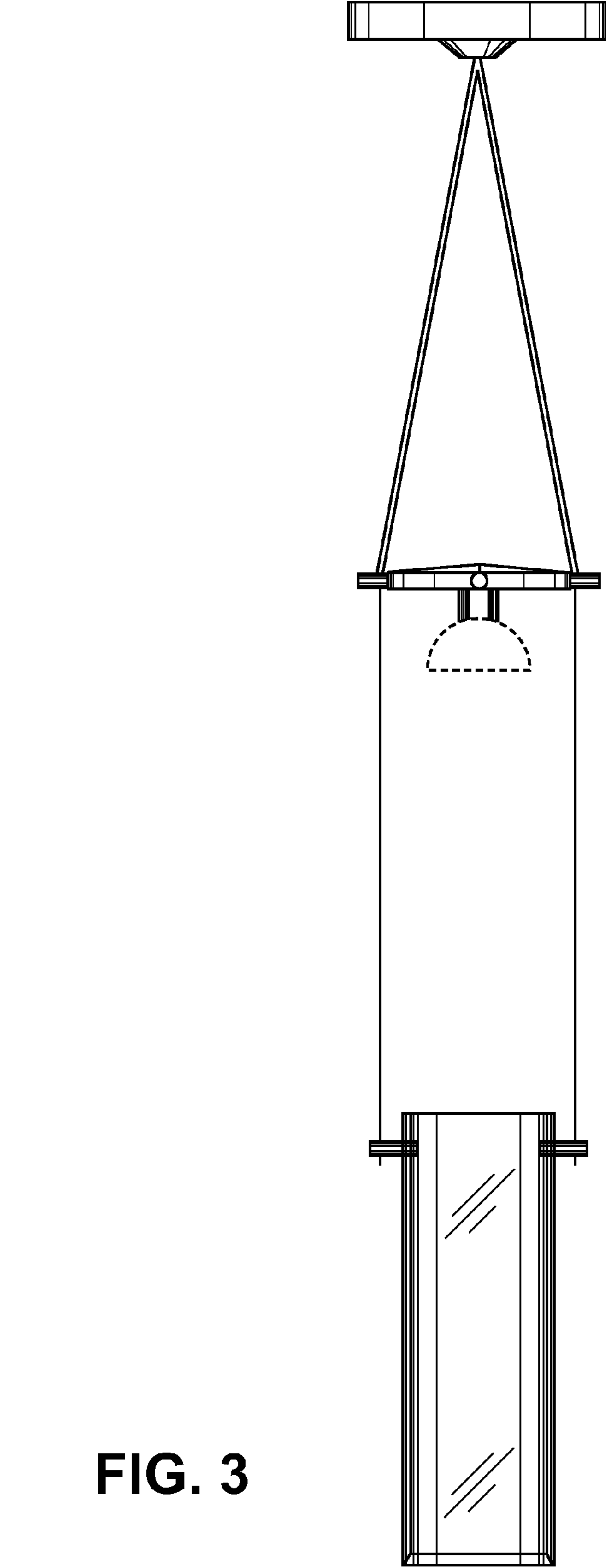


FIG. 3

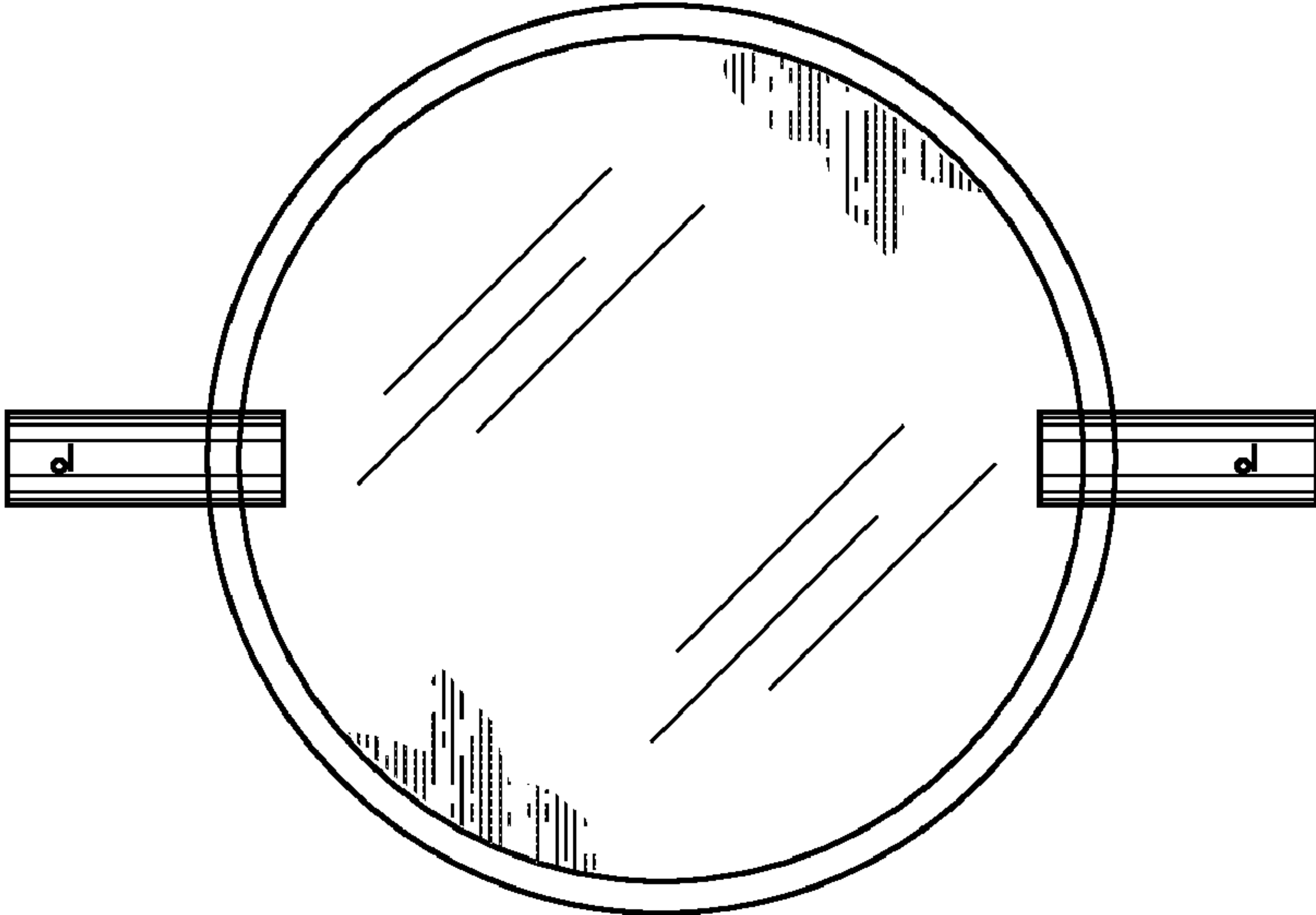


FIG. 4

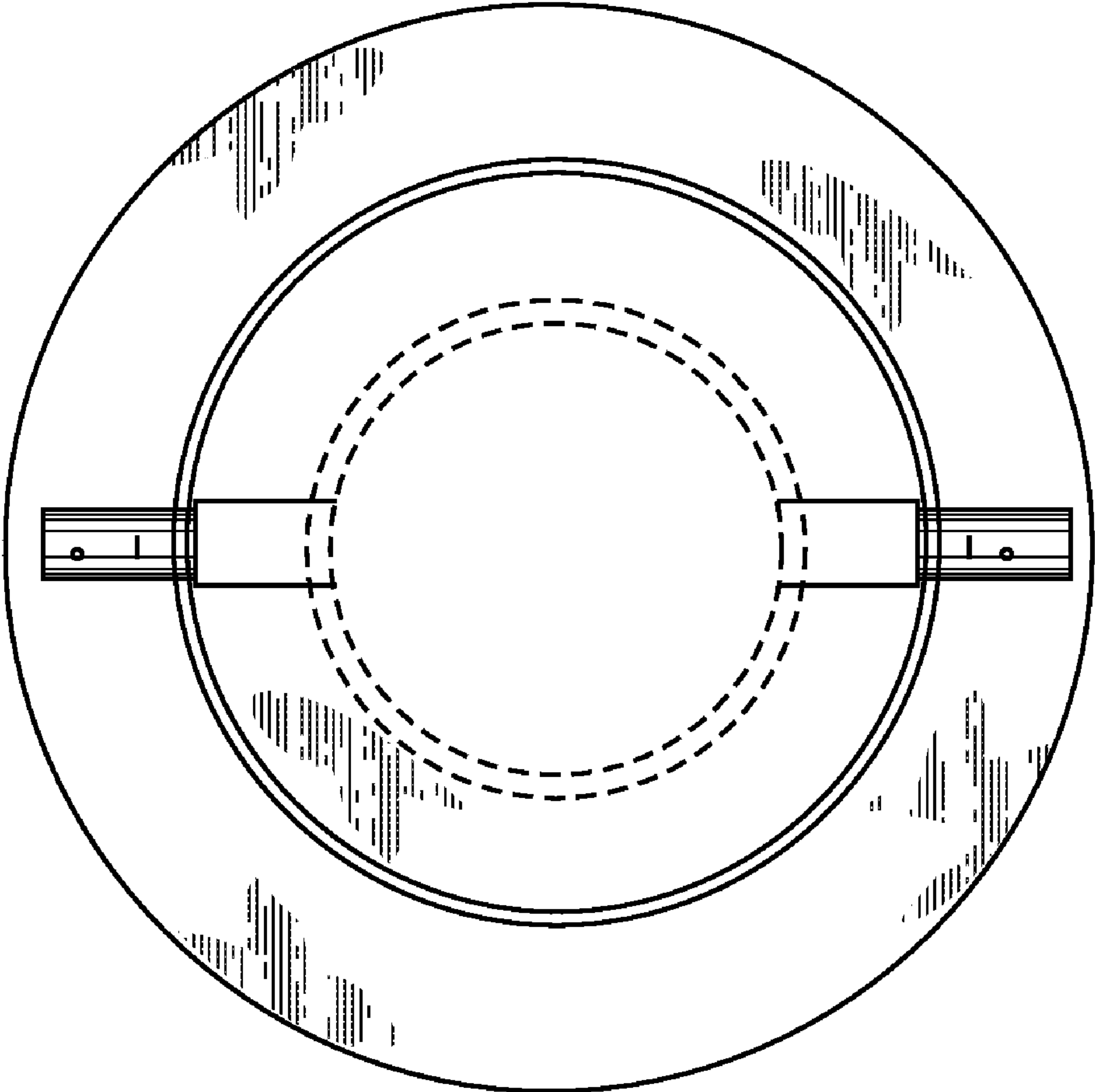


FIG. 5

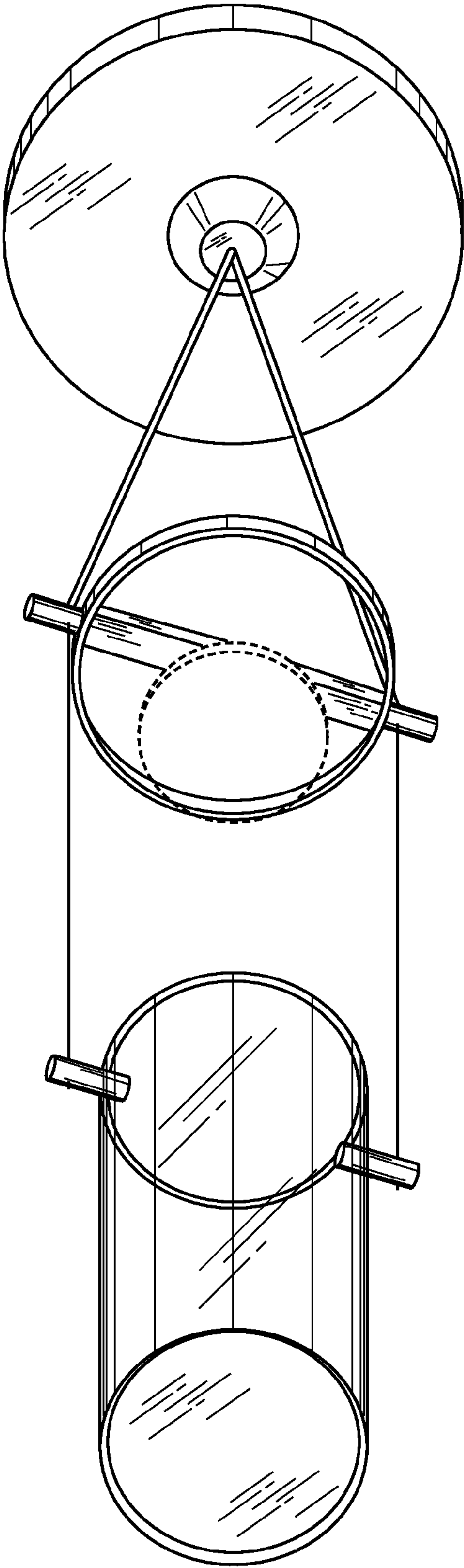


FIG. 6