



US00D641649S

(12) **United States Design Patent**  
**Saputra**

(10) **Patent No.:** **US D641,649 S**  
(45) **Date of Patent:** **\*\* Jul. 19, 2011**

(54) **RING**

(76) Inventor: **Rita Jasmin Saputra**, Los Angeles, CA  
(US)

(\*\*) Term: **14 Years**

(21) Appl. No.: **29/369,699**

(22) Filed: **Sep. 12, 2010**

(51) **LOC (9) Cl.** ..... **11-01**

(52) **U.S. Cl.** ..... **D11/26; D11/86**

(58) **Field of Classification Search** ..... D11/3,  
D11/26-39, 79; 63/15, 15.1, 15.2, 15.3,  
63/15.4, 15.45, 15.5, 15.6, 15.65, 15.7

See application file for complete search history.

(56) **References Cited**

**U.S. PATENT DOCUMENTS**

D270,720 S \* 9/1983 Schneider ..... D11/28  
D419,102 S \* 1/2000 Mestrum ..... D11/26  
D421,405 S \* 3/2000 Mestrum ..... D11/26

**OTHER PUBLICATIONS**

[http://2.bp.blogspot.com/\\_RMw2so8jQk0/TUufp3adXII/AAAAAAAAAE0w/rKBNxZAw7Ho/s1600/totokaeloring2.jpg](http://2.bp.blogspot.com/_RMw2so8jQk0/TUufp3adXII/AAAAAAAAAE0w/rKBNxZAw7Ho/s1600/totokaeloring2.jpg).  
<http://www.polyvore.com/cgi/img-thing?.out=jpg&size=I&tid=25553585>.  
[http://s4.thisnext.com/media/largest\\_dimension/E0C57EF5.jpg](http://s4.thisnext.com/media/largest_dimension/E0C57EF5.jpg).

[http://ny-image0.etsy.com/il\\_170x135.198329080.jpg](http://ny-image0.etsy.com/il_170x135.198329080.jpg).  
<http://www.numberonejewelry.com/images/JE265.jpg>.  
[http://4.bp.blogspot.com/\\_zfvwZE-Rzw/TOrfpiZN4JI/AAAAAAAAAbg/oJi7dFAu8Ls/s1600/DSC\\_4383.jpg](http://4.bp.blogspot.com/_zfvwZE-Rzw/TOrfpiZN4JI/AAAAAAAAAbg/oJi7dFAu8Ls/s1600/DSC_4383.jpg).  
[http://img.thefind.com/images/IAAtjUsKAjEQRNvDuDSRWbp1lairucDQdJokQ34k0egNPMGc0yOYgIviFVUF9SX8bLCBmXewcmOX3wsGtTSsZLiAqTWdpGytCY-v3pBxkQVFL61HzUWmHNWDqjw7zLifjcs-LRh2EPXJTo1wNFzzZa6v44fHulsg-6Y\\_tu7WJMG-Ae?\\*m=1&g=1](http://img.thefind.com/images/IAAtjUsKAjEQRNvDuDSRWbp1lairucDQdJokQ34k0egNPMGc0yOYgIviFVUF9SX8bLCBmXewcmOX3wsGtTSsZLiAqTWdpGytCY-v3pBxkQVFL61HzUWmHNWDqjw7zLifjcs-LRh2EPXJTo1wNFzzZa6v44fHulsg-6Y_tu7WJMG-Ae?*m=1&g=1).  
[http://pics.novica.com/pictures/2/p134828\\_1.jpg](http://pics.novica.com/pictures/2/p134828_1.jpg).

\* cited by examiner

*Primary Examiner* — Cathron Brooks

*Assistant Examiner* — Melanie Levy

(57) **CLAIM**

The ornamental design for a ring, as shown and described.

**DESCRIPTION**

FIG. 1 is a left side, rear perspective view of a ring showing my new design.

FIG. 2 is a front elevational view thereof.

FIG. 3 is a rear elevational view thereof.

FIG. 4 is a left side elevational view thereof.

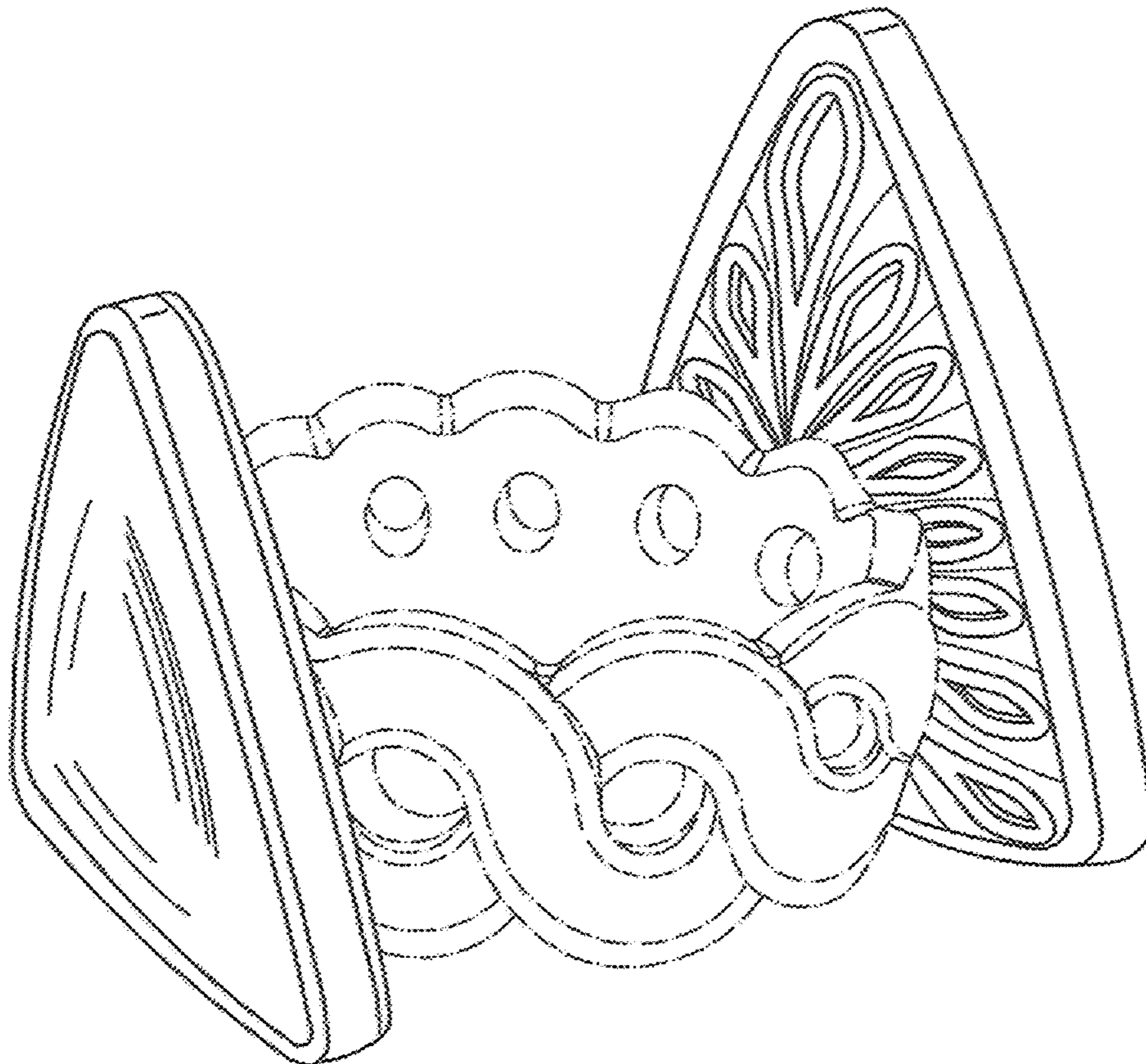
FIG. 5 is a right side elevational view thereof.

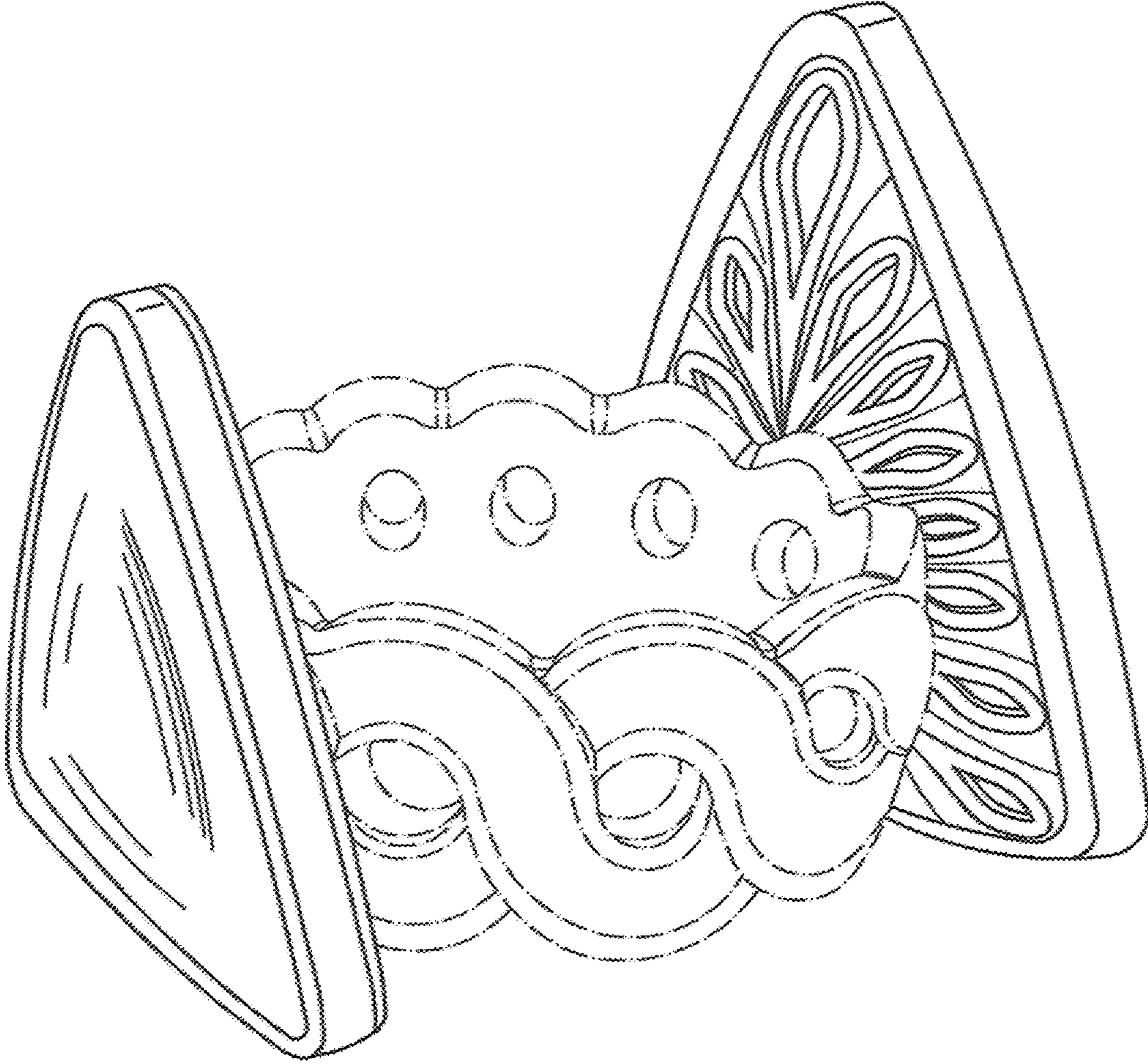
FIG. 6 is a top plan view thereof; and,

FIG. 7 is a bottom plan view thereof.

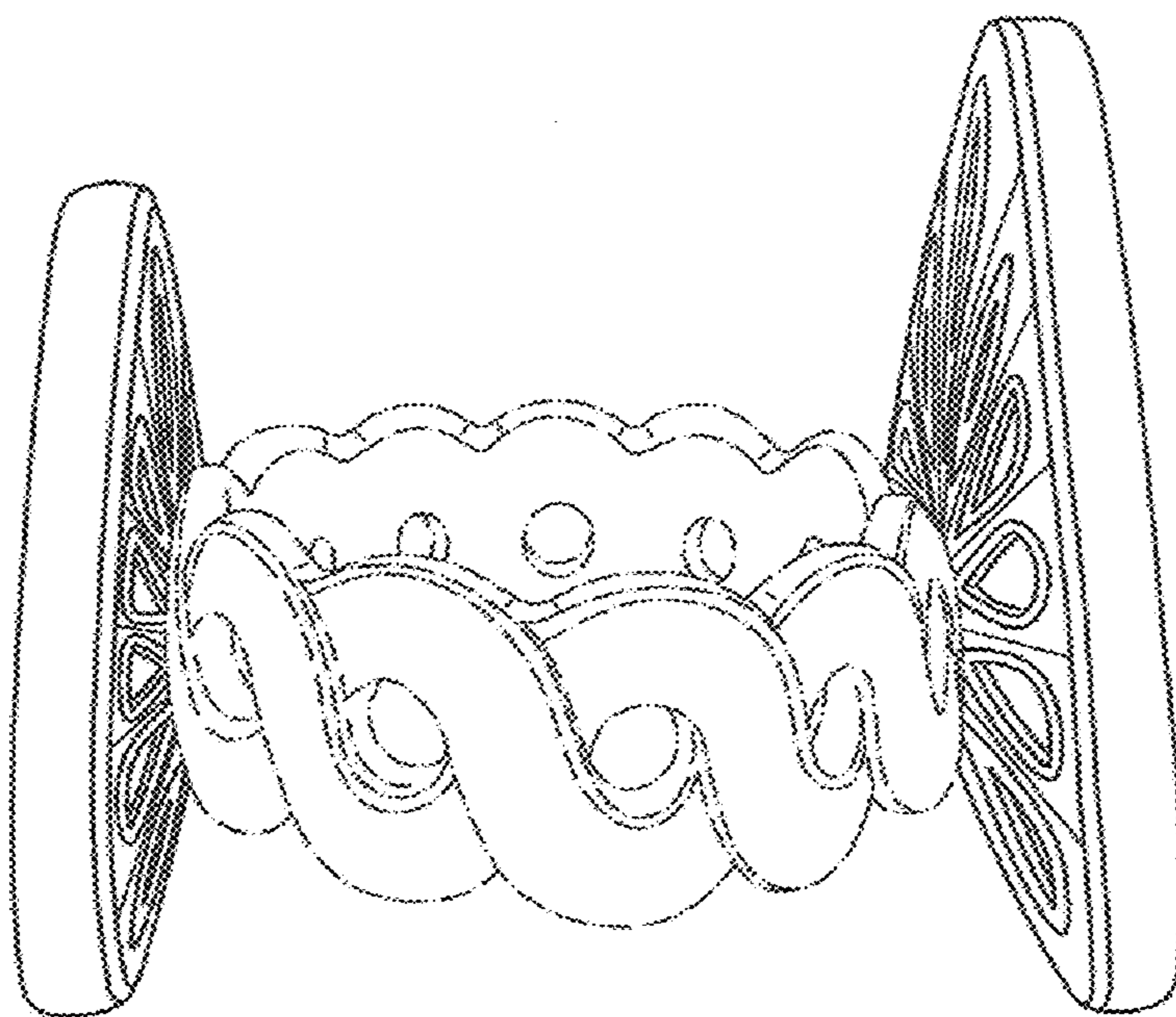
The broken lines are shown for illustrative purposes only.

**1 Claim, 4 Drawing Sheets**

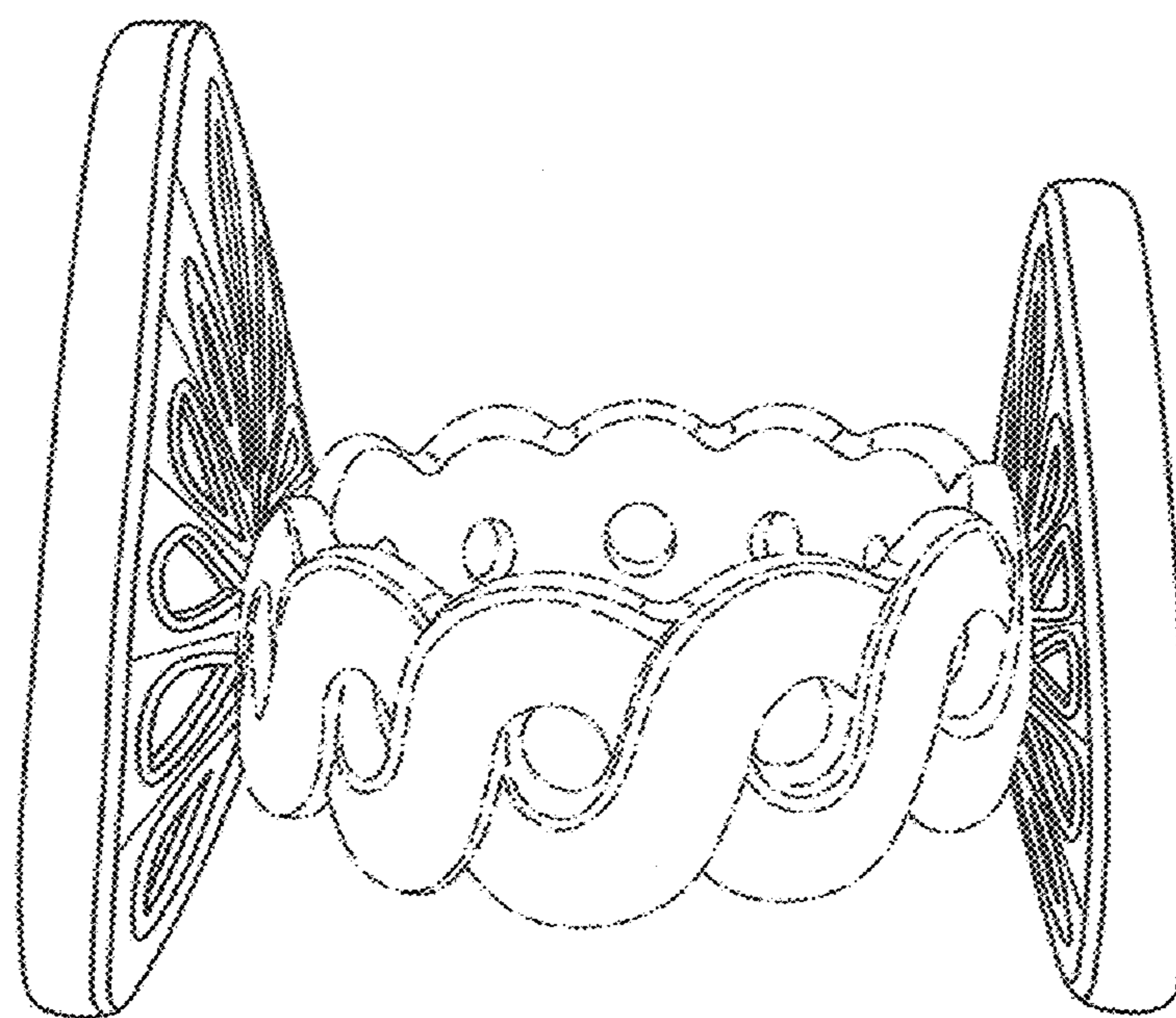




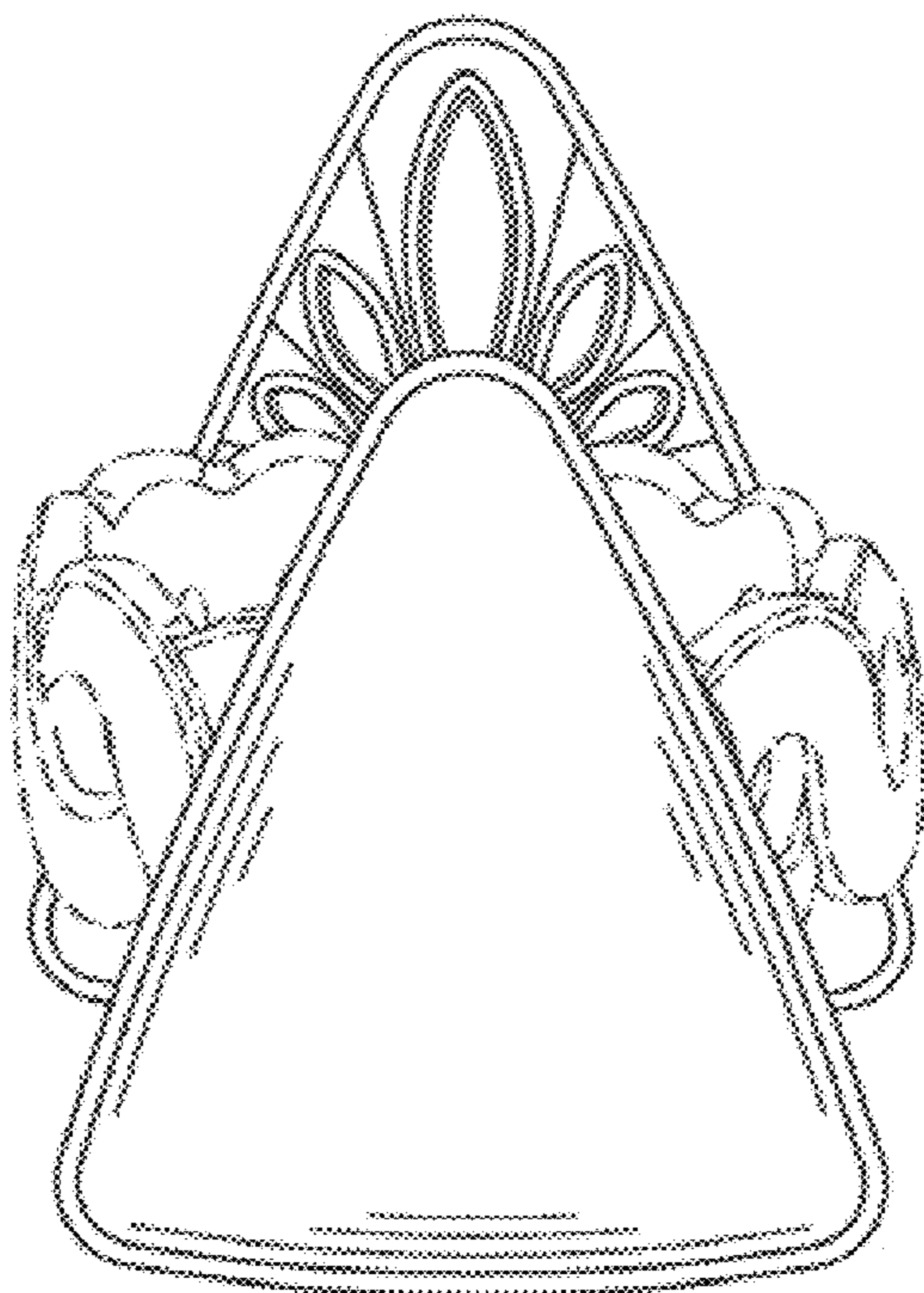
*FIG. 1*



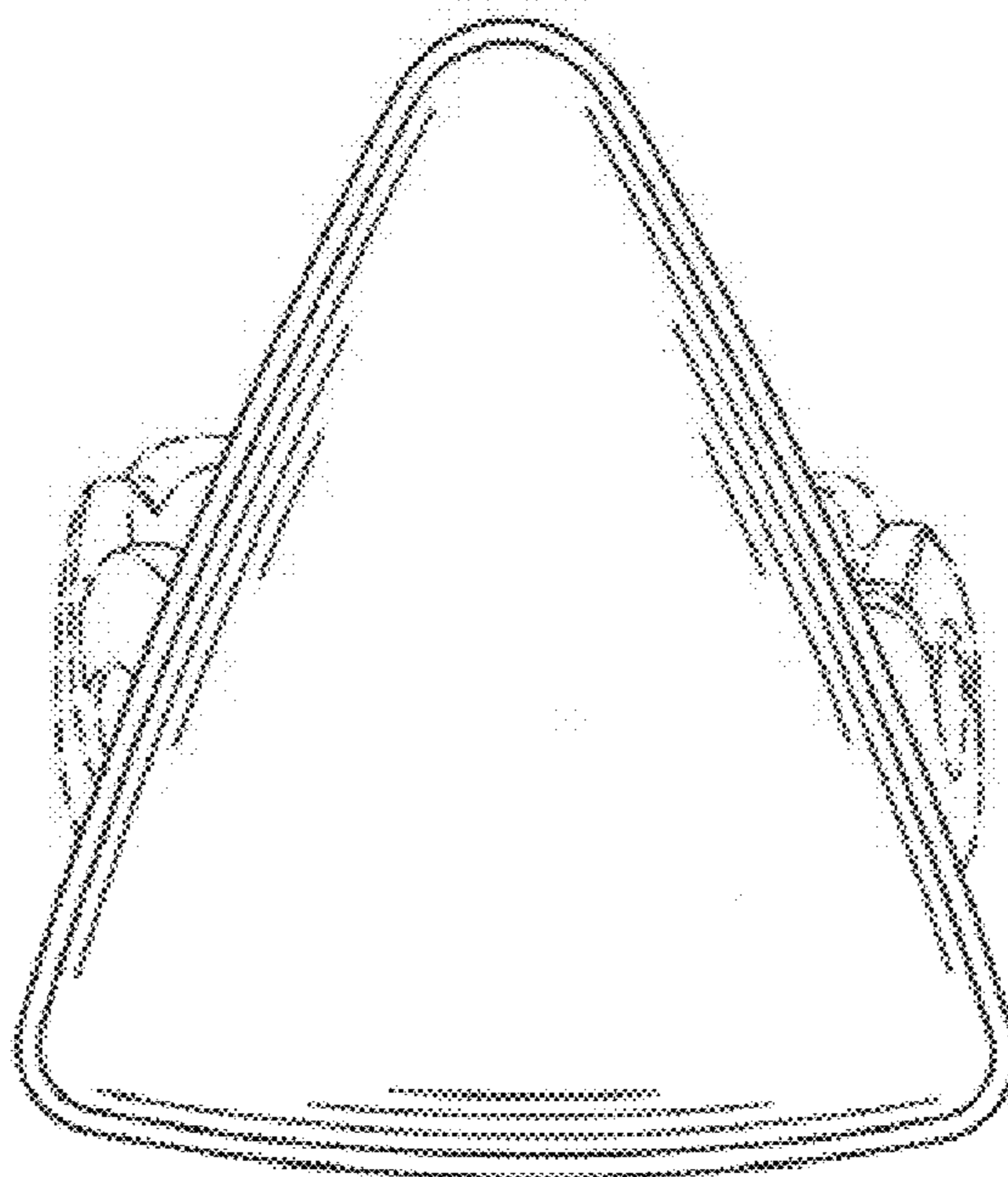
*FIG. 2*



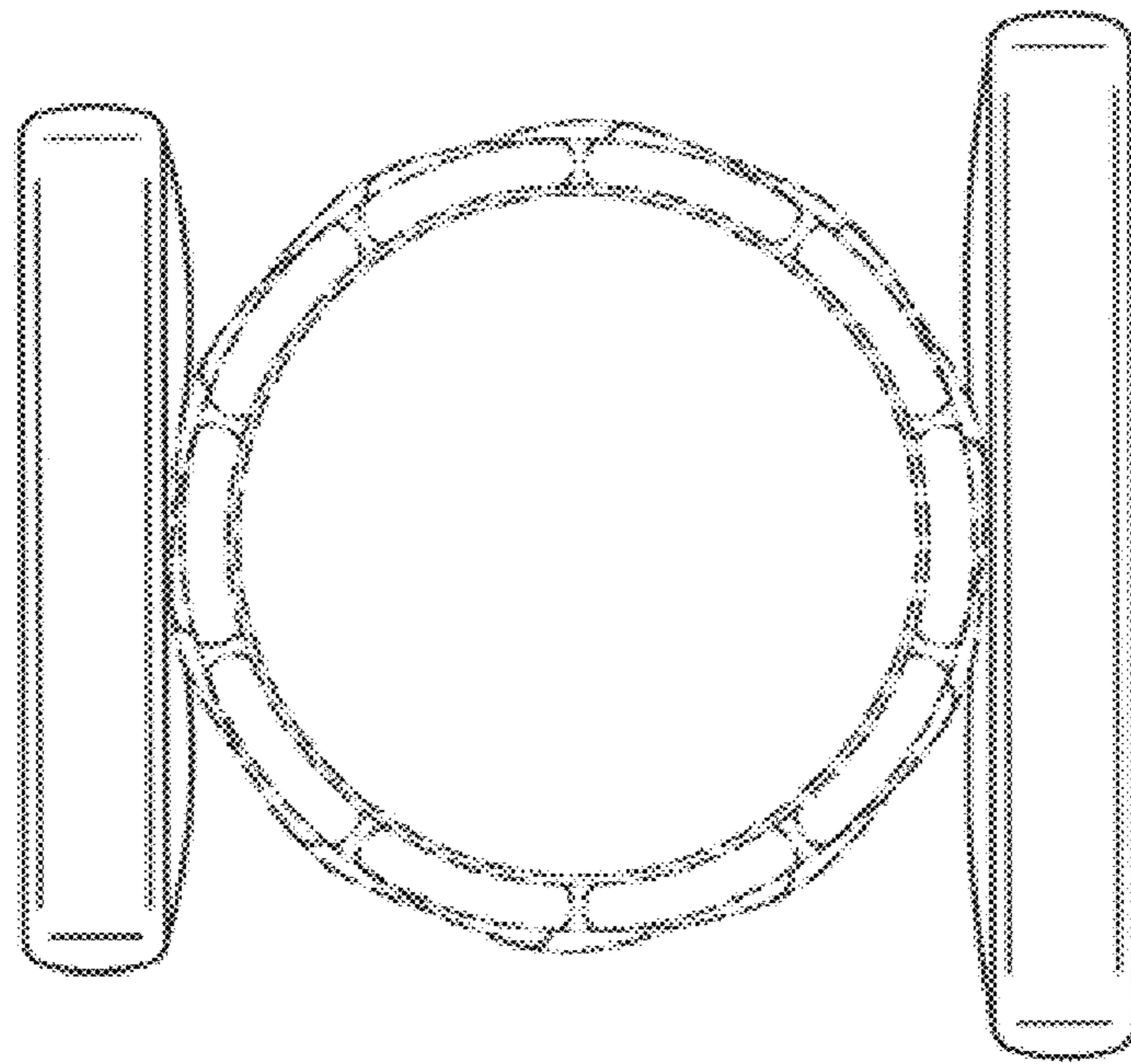
*FIG. 3*



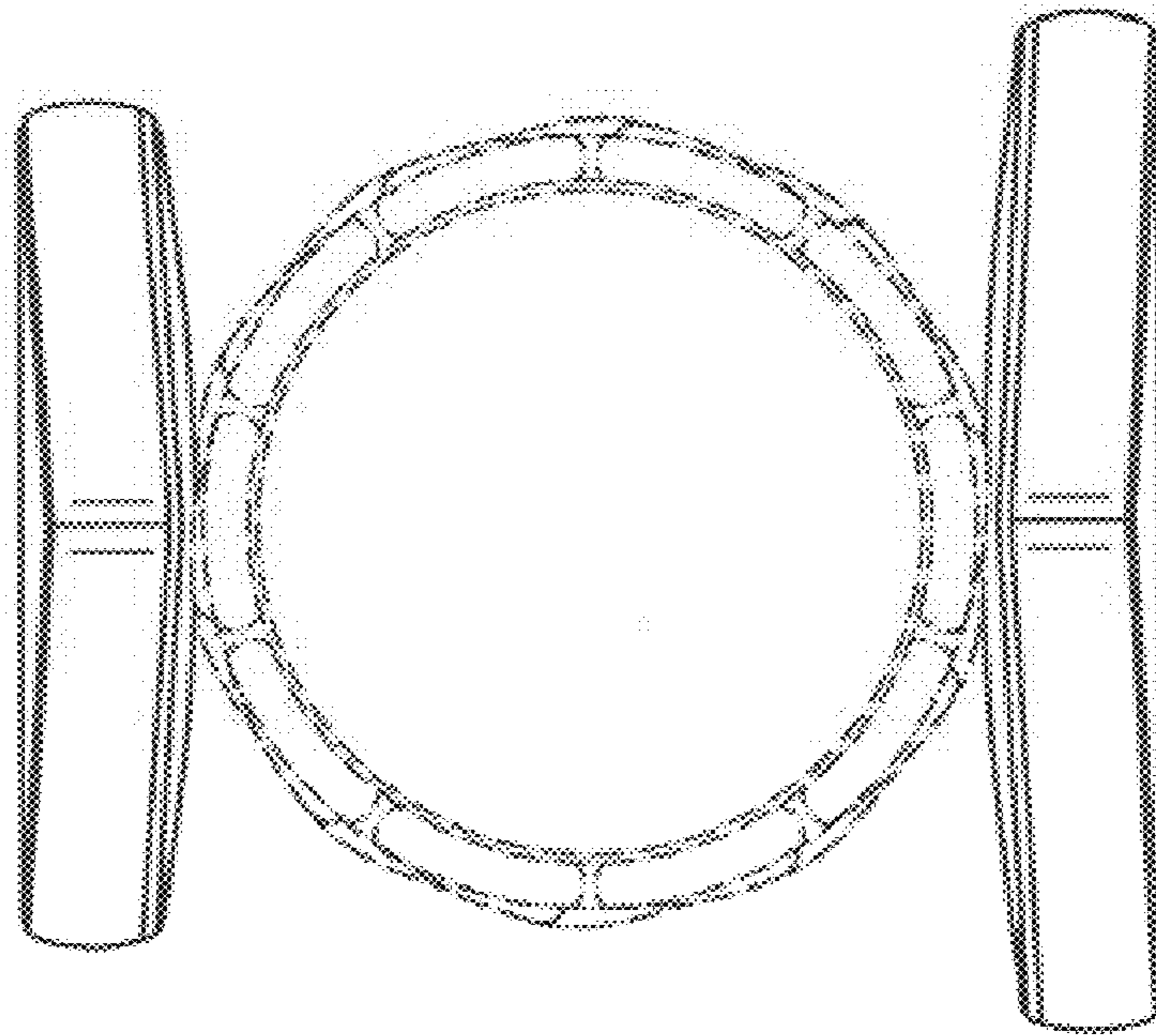
*FIG. 4*



*FIG. 5*



*FIG. 6*



*FIG. 7*