



US00D641645S

(12) **United States Design Patent**
Suzuki et al.

(10) **Patent No.:** **US D641,645 S**

(45) **Date of Patent:** **** Jul. 19, 2011**

(54) **FIRE DETECTOR**

(75) Inventors: **Makoto Suzuki**, Tokyo (JP); **Hayato Tsurumi**, Tokyo (JP)

(73) Assignee: **Hochiki Corporation**, Tokyo (JP)

(**) Term: **14 Years**

(21) Appl. No.: **29/366,470**

(22) Filed: **Jul. 26, 2010**

(51) **LOC (9) Cl.** **10-05**

(52) **U.S. Cl.** **D10/106.5**

(58) **Field of Classification Search** D10/106.5;
340/542-545, 555, 558, 628, 630, 571-73,
340/577, 579

See application file for complete search history.

(56) **References Cited**

U.S. PATENT DOCUMENTS

D235,857 S *	7/1975	Hart	D10/106.5
D297,219 S *	8/1988	Taylor	D10/106.5
D426,482 S *	6/2000	Sakurai et al.	D10/106.5
D477,544 S *	7/2003	Renner et al.	D10/106.5
D607,358 S *	1/2010	Mammoto et al.	D10/106.5

D607,359 S * 1/2010 Mammoto et al. D10/106.5
* cited by examiner

Primary Examiner — Caron D Veynar

Assistant Examiner — George D Kirschbaum

(74) *Attorney, Agent, or Firm* — Andrew F. Young, Esq.;
Lackebach Siegel, LLP

(57) **CLAIM**

The ornamental design for a fire detector, as shown and described.

DESCRIPTION

FIG. 1 is a perspective view of the invention.

FIG. 2 is a front elevation view of FIG. 1.

FIG. 3 is a top plan view of FIG. 1.

FIG. 4 is a left side elevation view of FIG. 1.

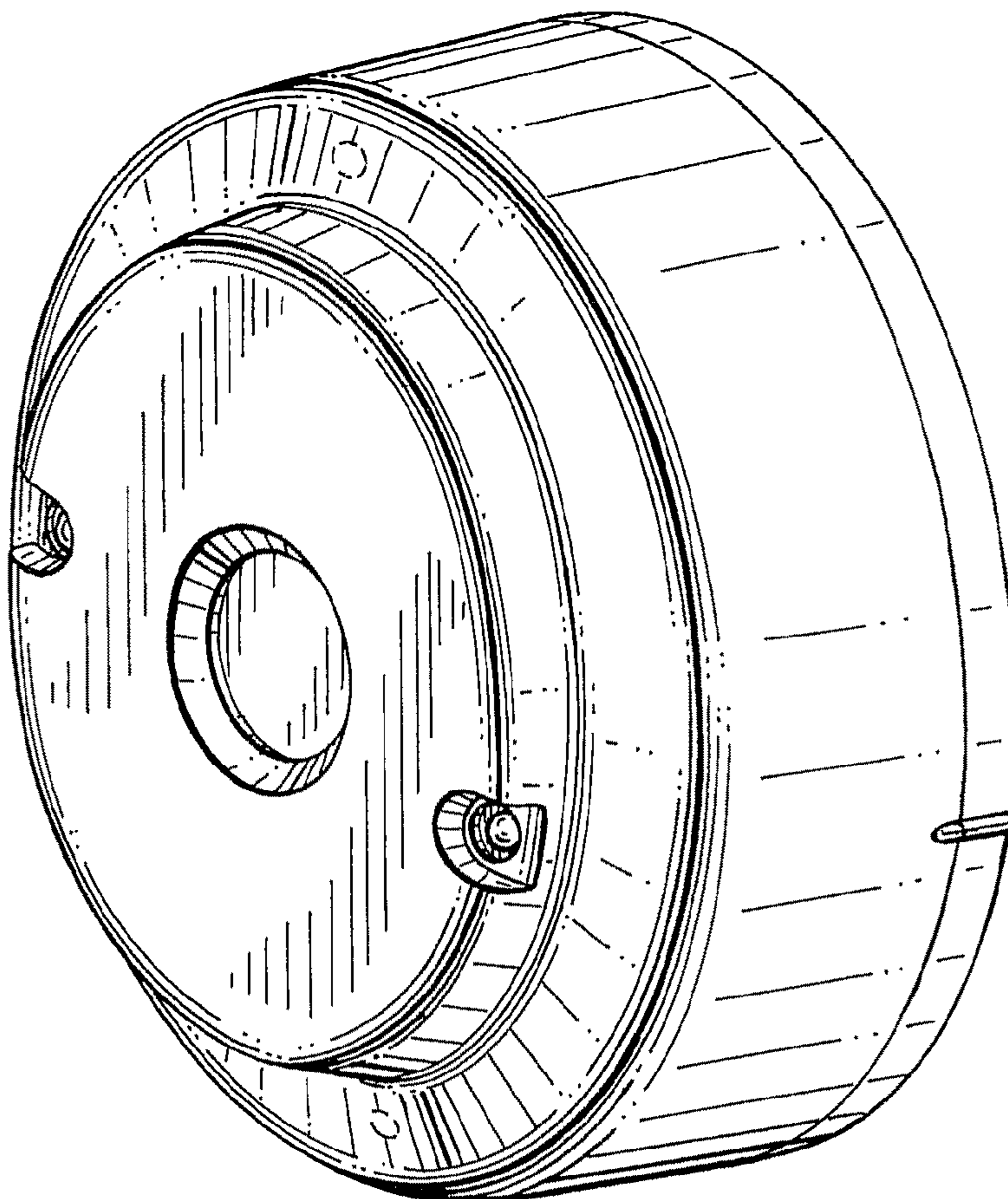
FIG. 5 is a right side elevation view of FIG. 1.

FIG. 6 is a bottom plan view of FIG. 1; and,

FIG. 7 is a bottom plan view of FIG. 1.

No claim is made to the portions shown in shadow lines in the images. The bottom is unadorned and no claim is made to the bottom surface as the item is claimed as if on a surface.

1 Claim, 4 Drawing Sheets



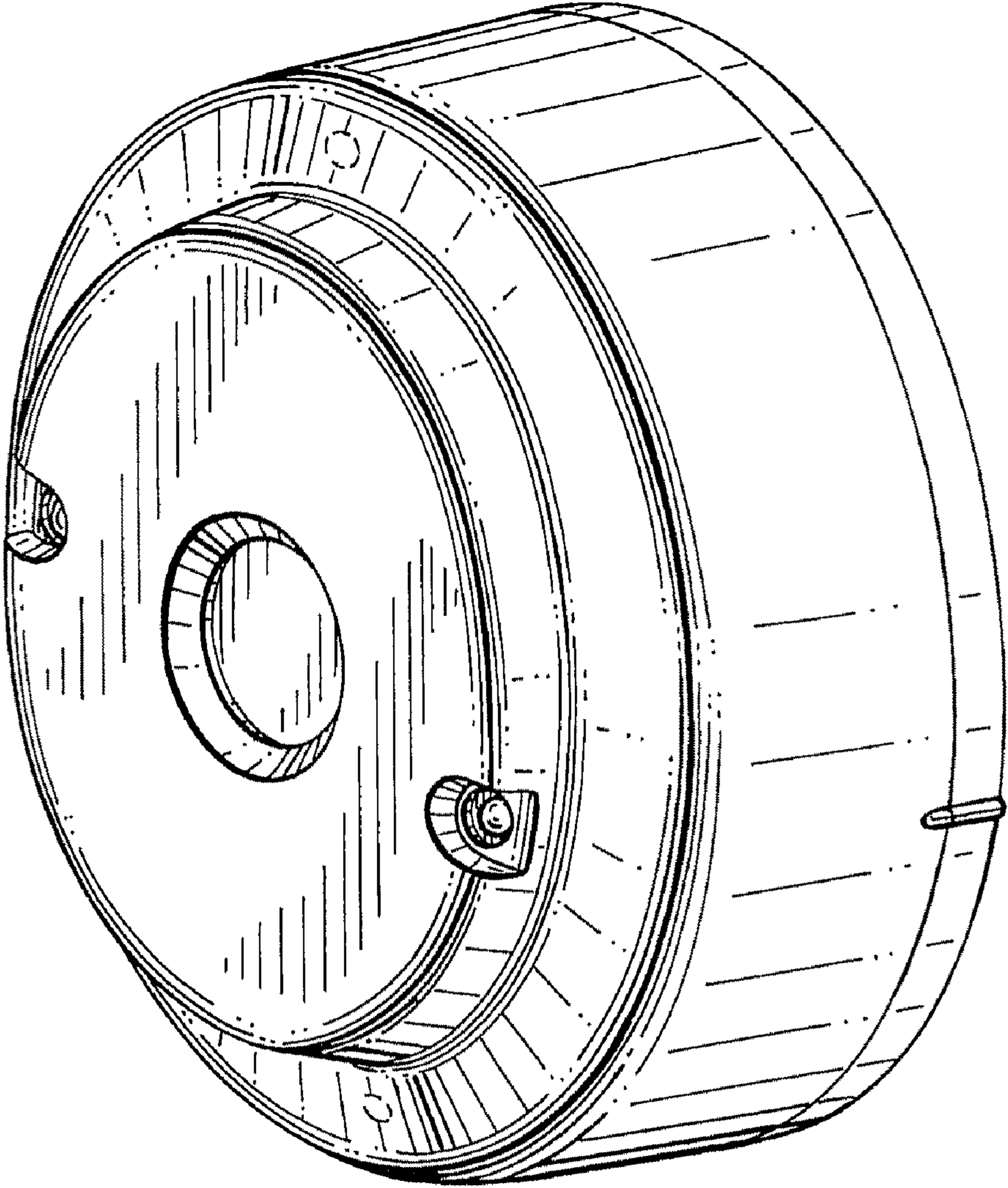


FIG. 1

FIG. 2

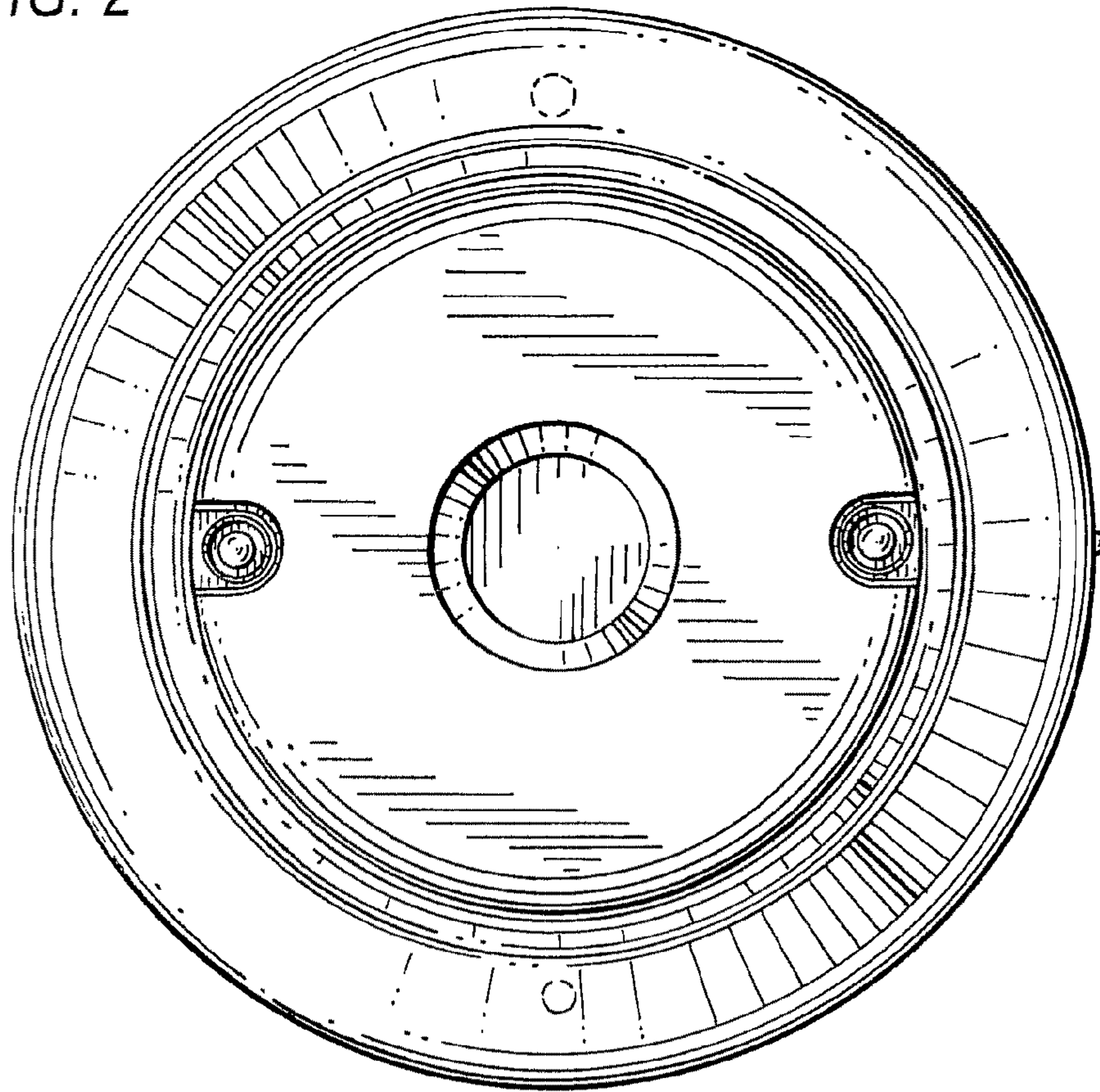


FIG. 3

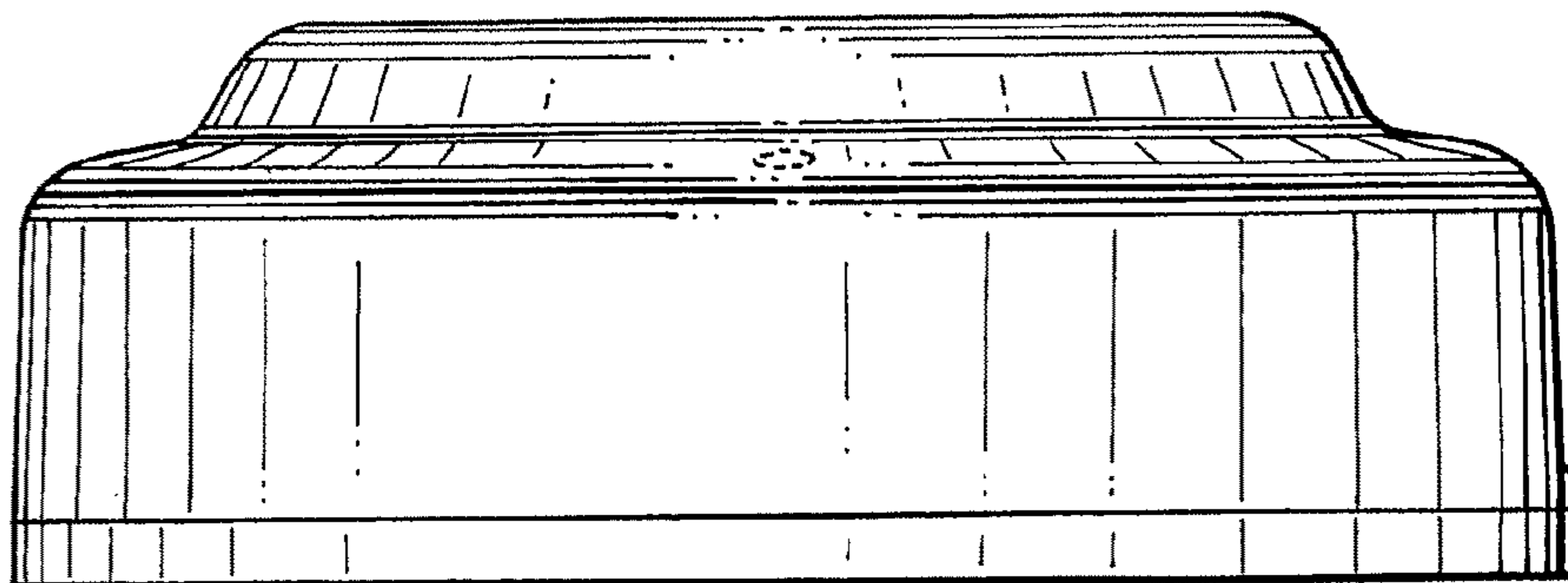


FIG. 7

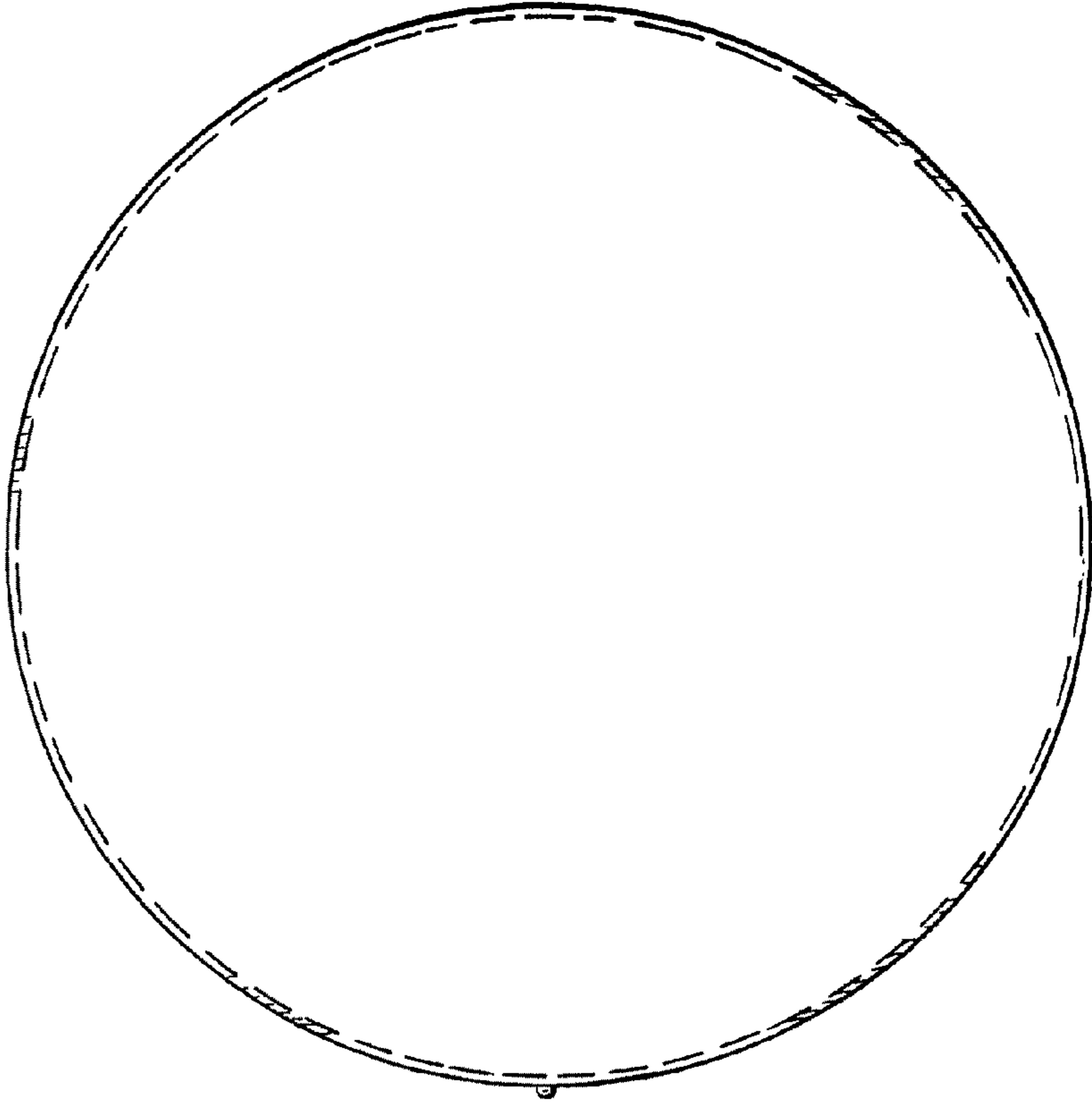


FIG. 4

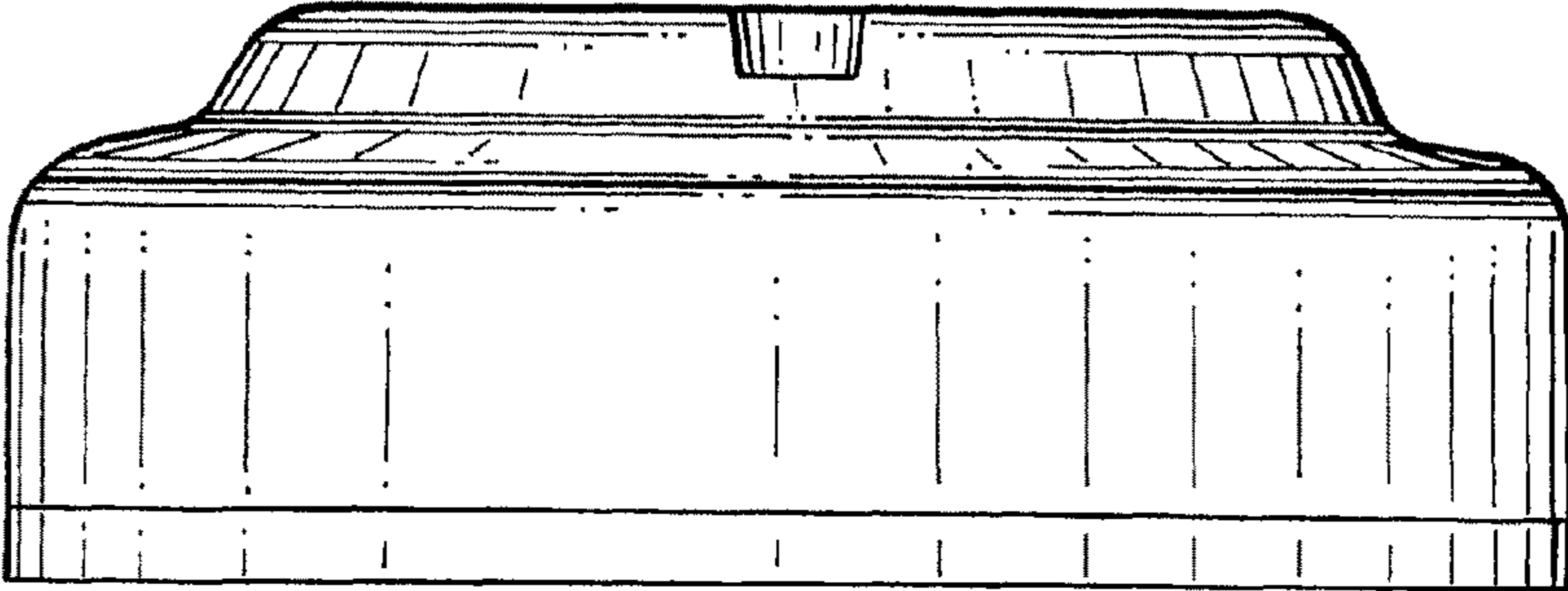


FIG. 5

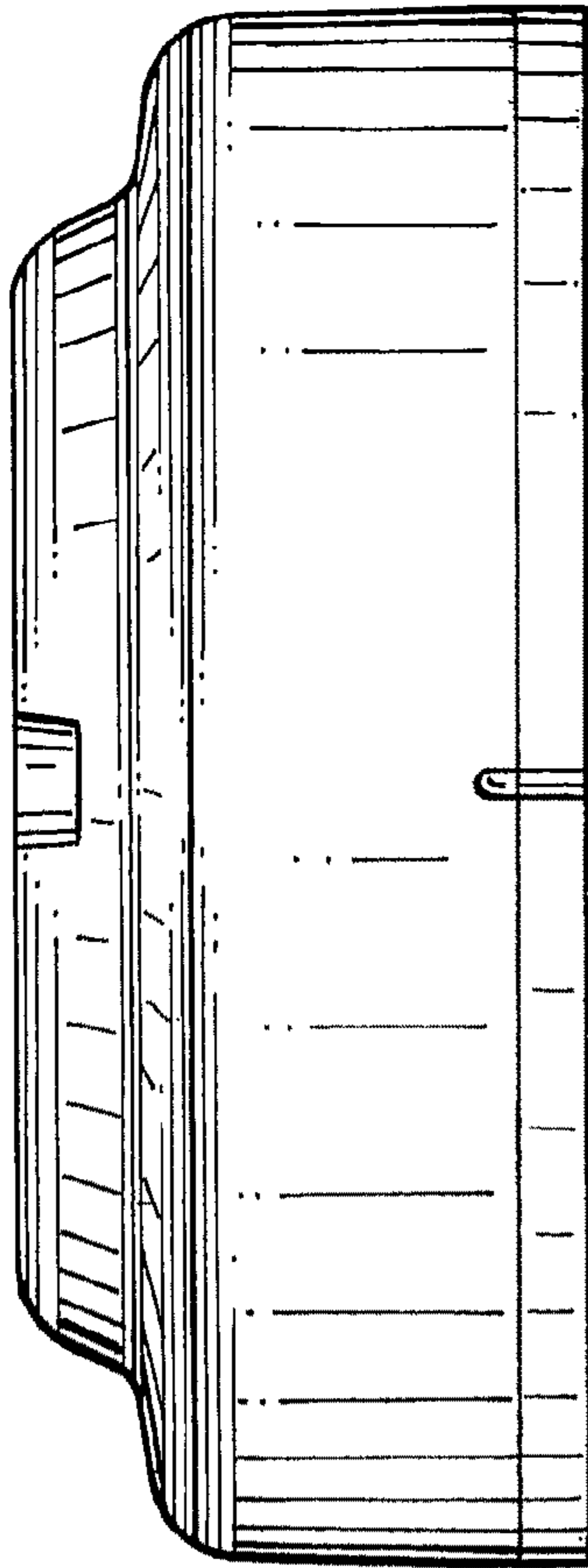


FIG. 6

