



US00D641631S

(12) **United States Design Patent**
Kawahara et al.

(10) **Patent No.:** **US D641,631 S**
(45) **Date of Patent:** **** Jul. 19, 2011**

- (54) **PLASTIC CONTAINER WITH LID**
- (75) Inventors: **Shou Kawahara**, Aichi-Gun (JP);
Masaki Katoh, Aichi-Gun (JP); **Kouji Takakuwa**, Aichi-Gun (JP)
- (73) Assignee: **Hoyu Co., Ltd.**, Nagoya-Shi (JP)
- (**) Term: **14 Years**
- (21) Appl. No.: **29/359,300**
- (22) Filed: **Apr. 8, 2010**

- (30) **Foreign Application Priority Data**
Oct. 22, 2009 (JP) 2009-024732
- (51) **LOC (9) Cl.** **09-01**
- (52) **U.S. Cl.** **D9/503; D7/510; D7/629**
- (58) **Field of Classification Search** D9/500,
D9/502-505, 529, 537, 539, 549, 682, 686,
D9/688-692, 772, 776-780, 414-425, 435,
D9/428; D7/510-511, 300, 300.1, 605, 608,
D7/598, 601-602, 629-630, 542; D24/224;
215/379, 381-382, 384; 220/660, 662, 669,
220/675

See application file for complete search history.

- (56) **References Cited**
U.S. PATENT DOCUMENTS
1,740,223 A * 12/1929 Burvenick 220/568
1,794,238 A * 2/1931 McKibben 426/139
2,711,840 A * 6/1955 Gits et al. 220/780
D185,780 S * 8/1959 Tupper D7/300.1

- D233,116 S * 10/1974 Swett et al. D7/300.1
- D243,069 S * 1/1977 Igelman D9/428
- D269,463 S * 6/1983 Young D24/110
- D272,213 S * 1/1984 Daenen D7/523
- 4,508,235 A * 4/1985 Steele et al. 215/307
- D281,400 S * 11/1985 Fortuna D9/520
- D480,590 S * 10/2003 Linz et al. D7/300.1
- D483,982 S * 12/2003 Irvine D7/300.1
- D515,761 S * 2/2006 Slight et al. D32/53.1
- D523,333 S * 6/2006 Moretti D9/444
- D565,907 S * 4/2008 de Groote et al. D7/601
- D618,547 S * 6/2010 Manning et al. D9/425
- D621,124 S * 8/2010 Biegel D99/5

* cited by examiner

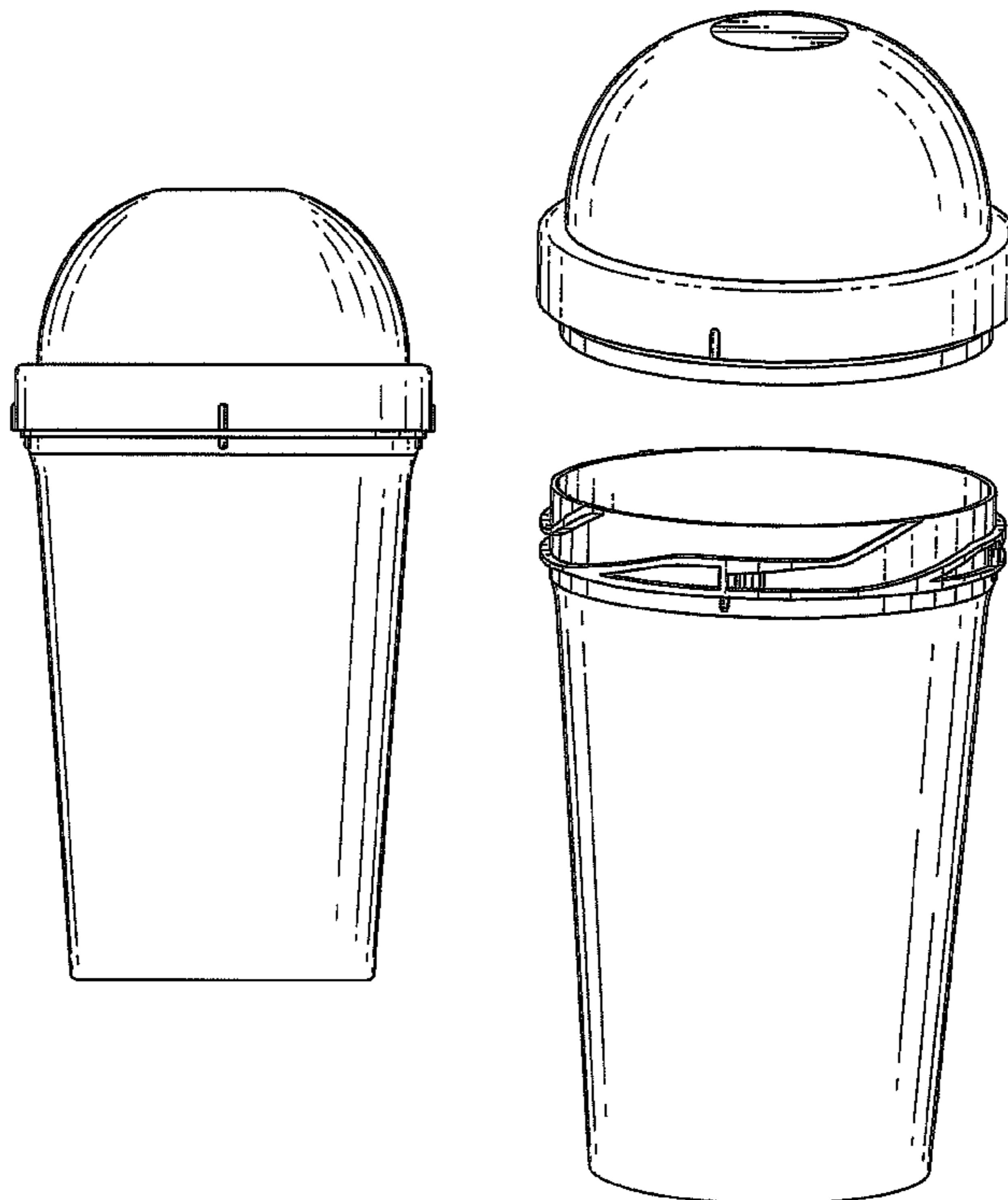
Primary Examiner — Ian Simmons
Assistant Examiner — Dana L Sipos
(74) *Attorney, Agent, or Firm* — Burr & Brown

(57) **CLAIM**
The ornamental design for a plastic container with lid, as shown and described.

DESCRIPTION

FIG. 1 is perspective view of a plastic container with lid illustrating our new design;
FIG. 2 a front elevational view thereof, the rear elevation being a mirror image thereof;
FIG. 3 is a right side elevational view thereof, the left side being a mirror image thereof;
FIG. 4 is a top plan view thereof; and,
FIG. 5 is a perspective view thereof shown with the lid in a removed position.

1 Claim, 5 Drawing Sheets



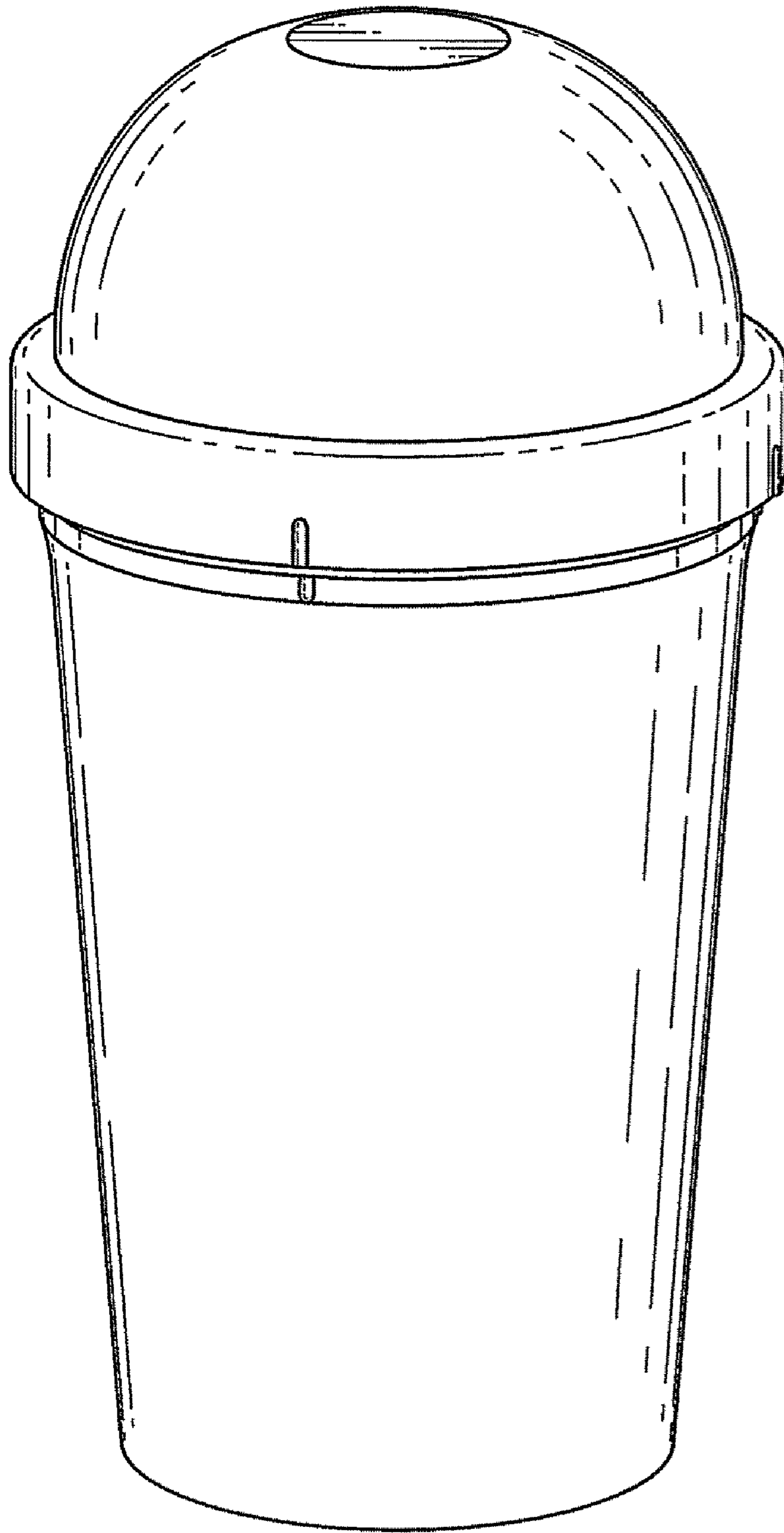


FIG. 1

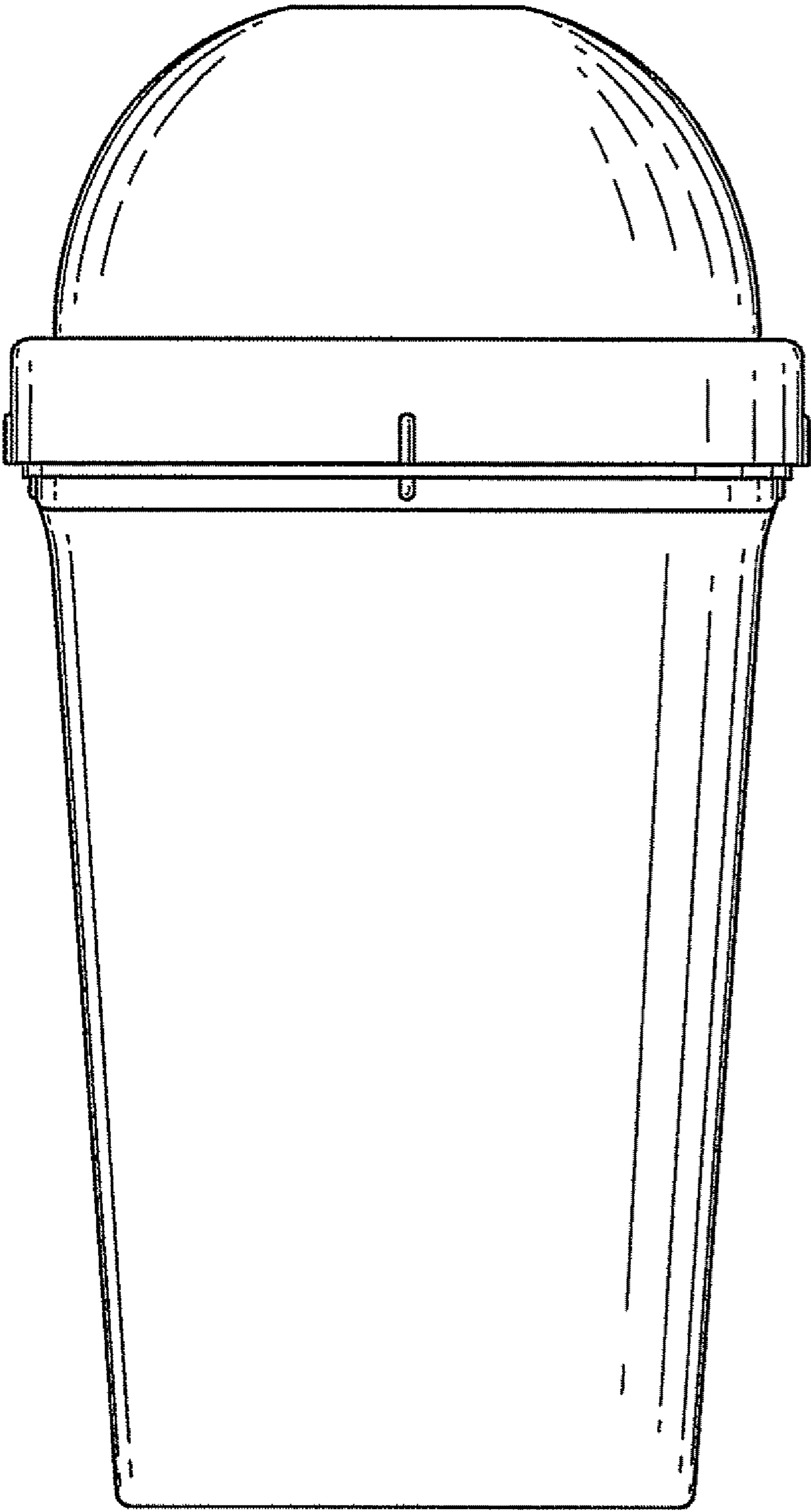


FIG. 2

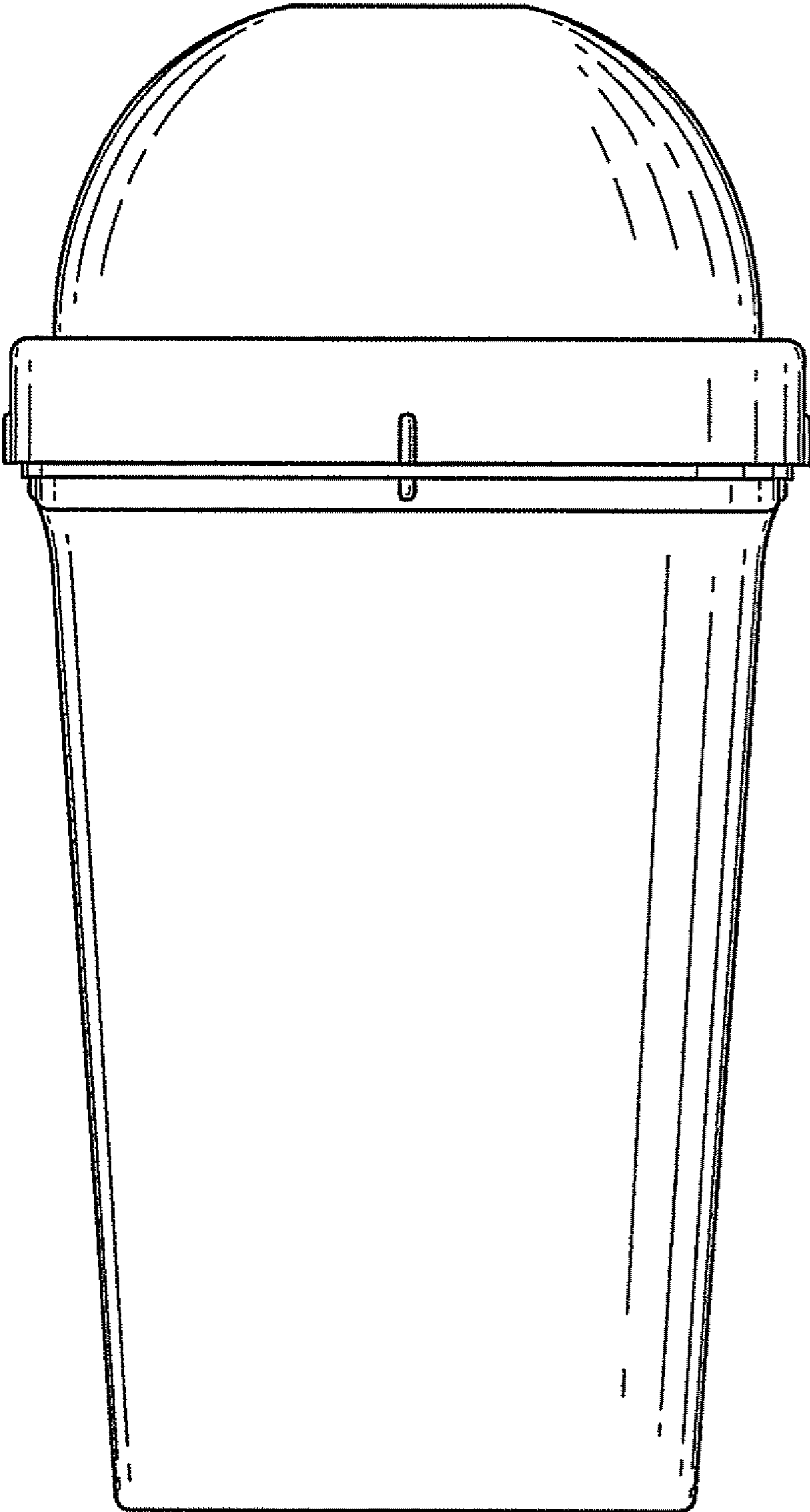


FIG. 3

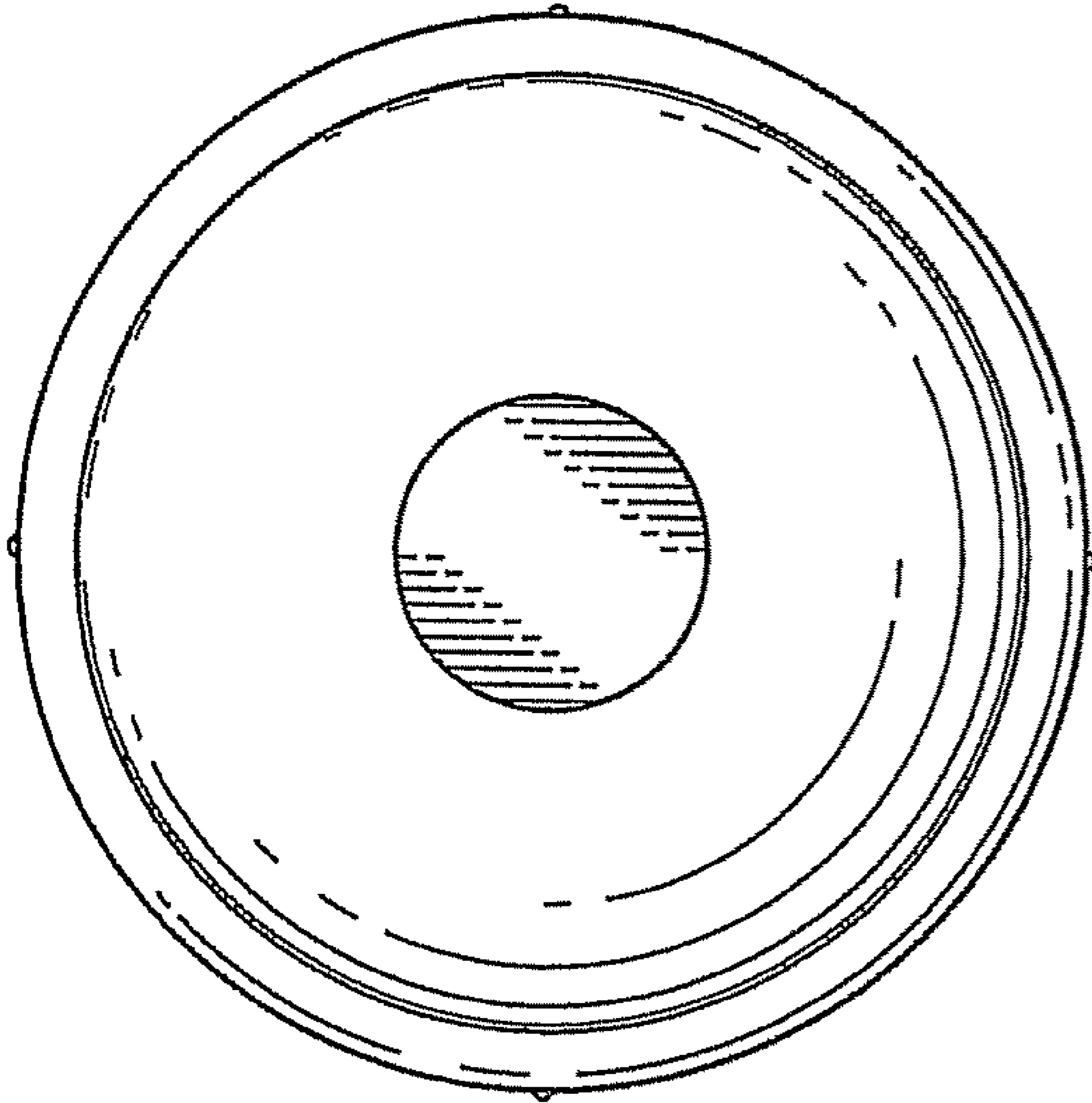


FIG. 4

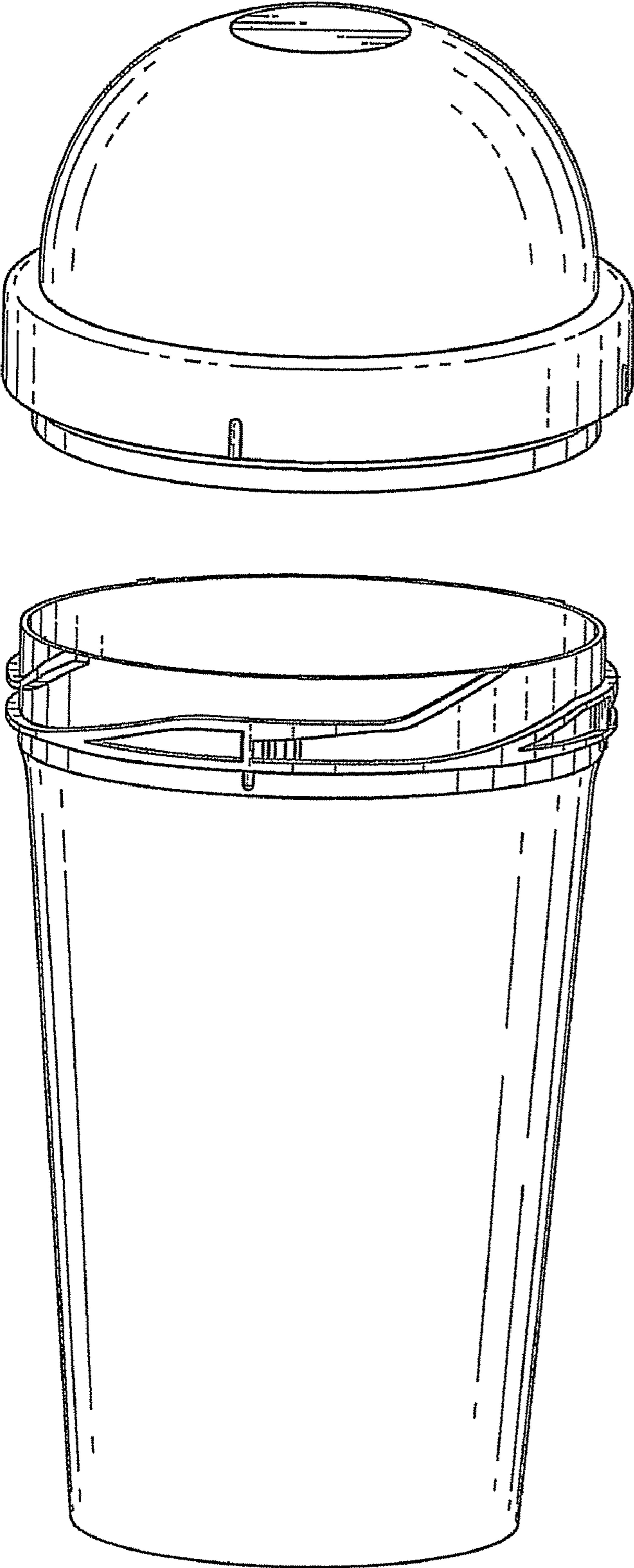


FIG. 5