



US00D641630S

(12) **United States Design Patent**
Reuter

(10) **Patent No.:** **US D641,630 S**

(45) **Date of Patent:** **** Jul. 19, 2011**

(54) **CONTAINER**

(75) Inventor: **Christian Reuter**, Feldkirch (AT)

(73) Assignee: **HEAD Technology GmbH** (AT)

(**) Term: **14 Years**

(21) Appl. No.: **29/356,832**

(22) Filed: **Mar. 3, 2010**

(51) **LOC (9) Cl.** **09-01**

(52) **U.S. Cl.** **D9/503**

(58) **Field of Classification Search** D9/500,
D9/502-505, 516, 545, 549, 558, 574-575,
D9/682, 686, 688-692; D7/300, 598; 215/379,
215/382-384; 220/660, 662, 669, 675
See application file for complete search history.

(56) **References Cited**

U.S. PATENT DOCUMENTS

D259,098 S	*	5/1981	Lauren	D9/558
D271,285 S	*	11/1983	Lauren	D9/454
D357,415 S	*	4/1995	Fontanella	D9/503
D459,656 S	*	7/2002	Burger	D9/503
D461,419 S	*	8/2002	Burger	D9/545

D519,330 S	*	4/2006	Bodum	D7/679
D519,791 S	*	5/2006	Bodum	D7/679
D519,792 S	*	5/2006	Bodum	D7/679
D555,002 S	*	11/2007	Lloyd et al.	D9/544
D573,035 S	*	7/2008	Dean	D9/690

* cited by examiner

Primary Examiner — Ian Simmons

Assistant Examiner — Dana L Sipos

(74) *Attorney, Agent, or Firm* — Finnegan, Henderson, Farabow, Garrett and Dunner, LLP

(57) **CLAIM**

The ornamental design for a container, as shown and described.

DESCRIPTION

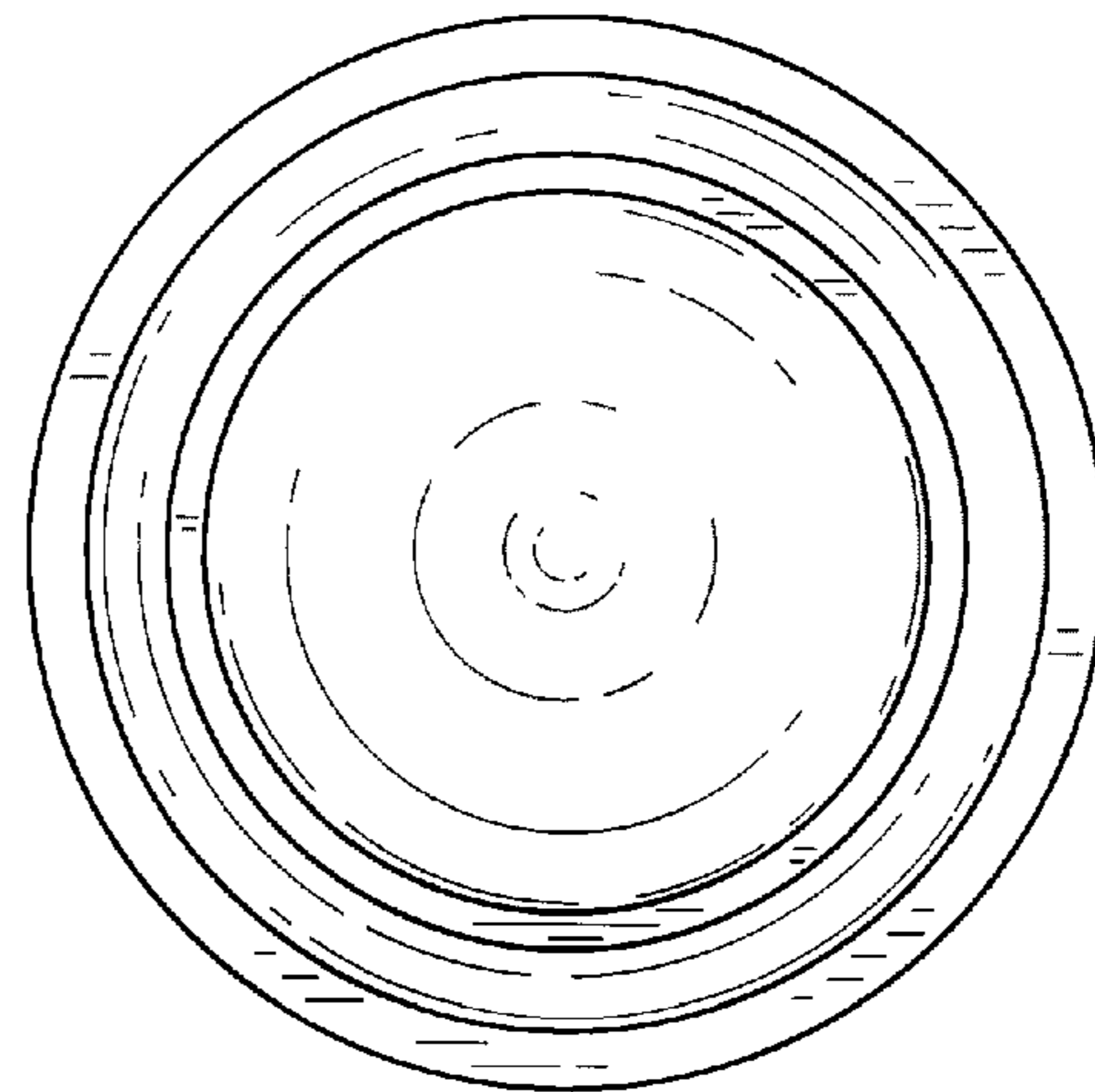
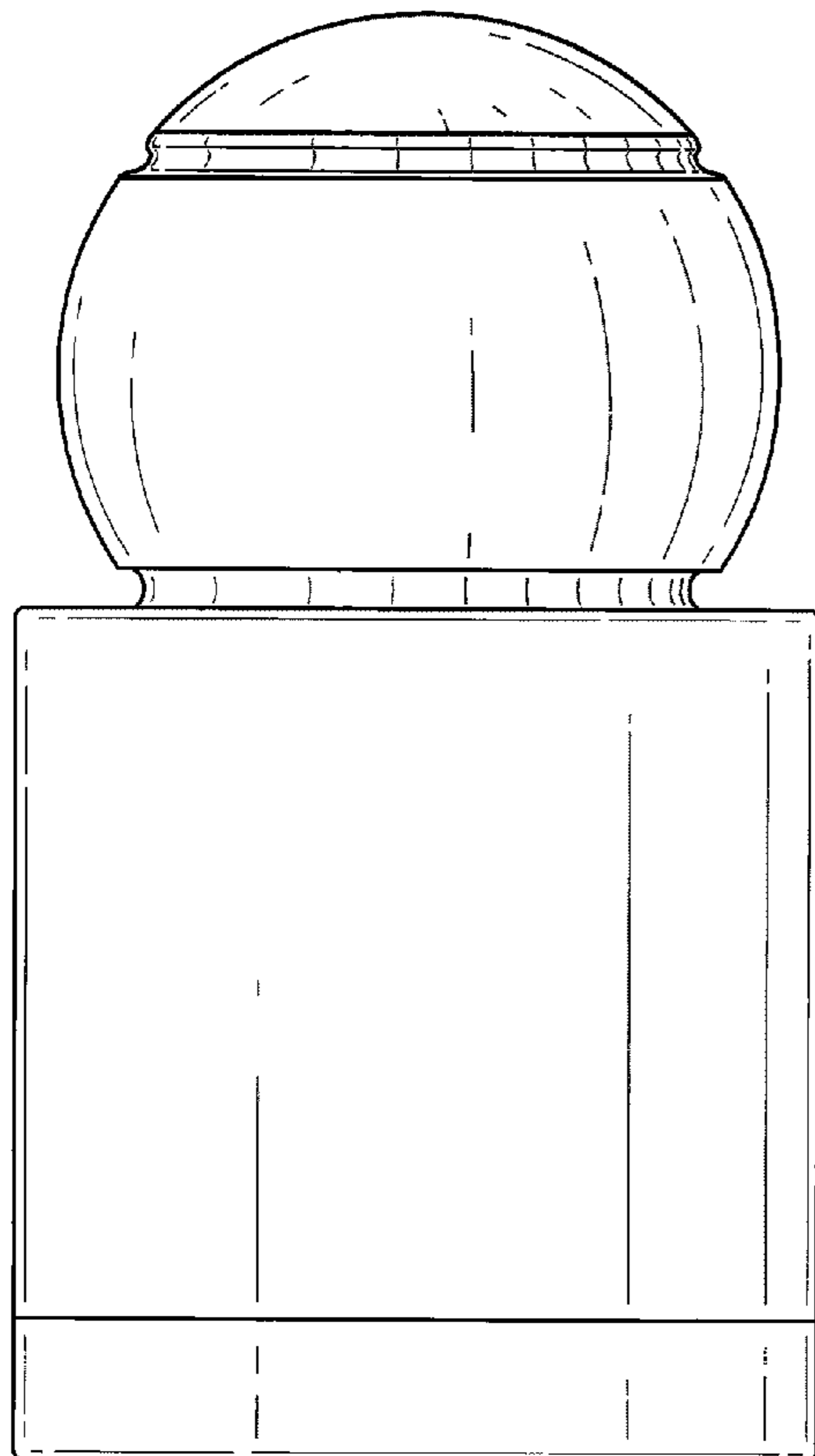
FIG. 1 is a top front perspective view of a container showing my new design;

FIG. 2 is a front view thereof, the right-side view, left-side view, and rear view being identical to the front view; and,

FIG. 3 is a top plan view thereof.

The bottom view of the container is not seen during ordinary use and is not part of the claimed design.

1 Claim, 2 Drawing Sheets



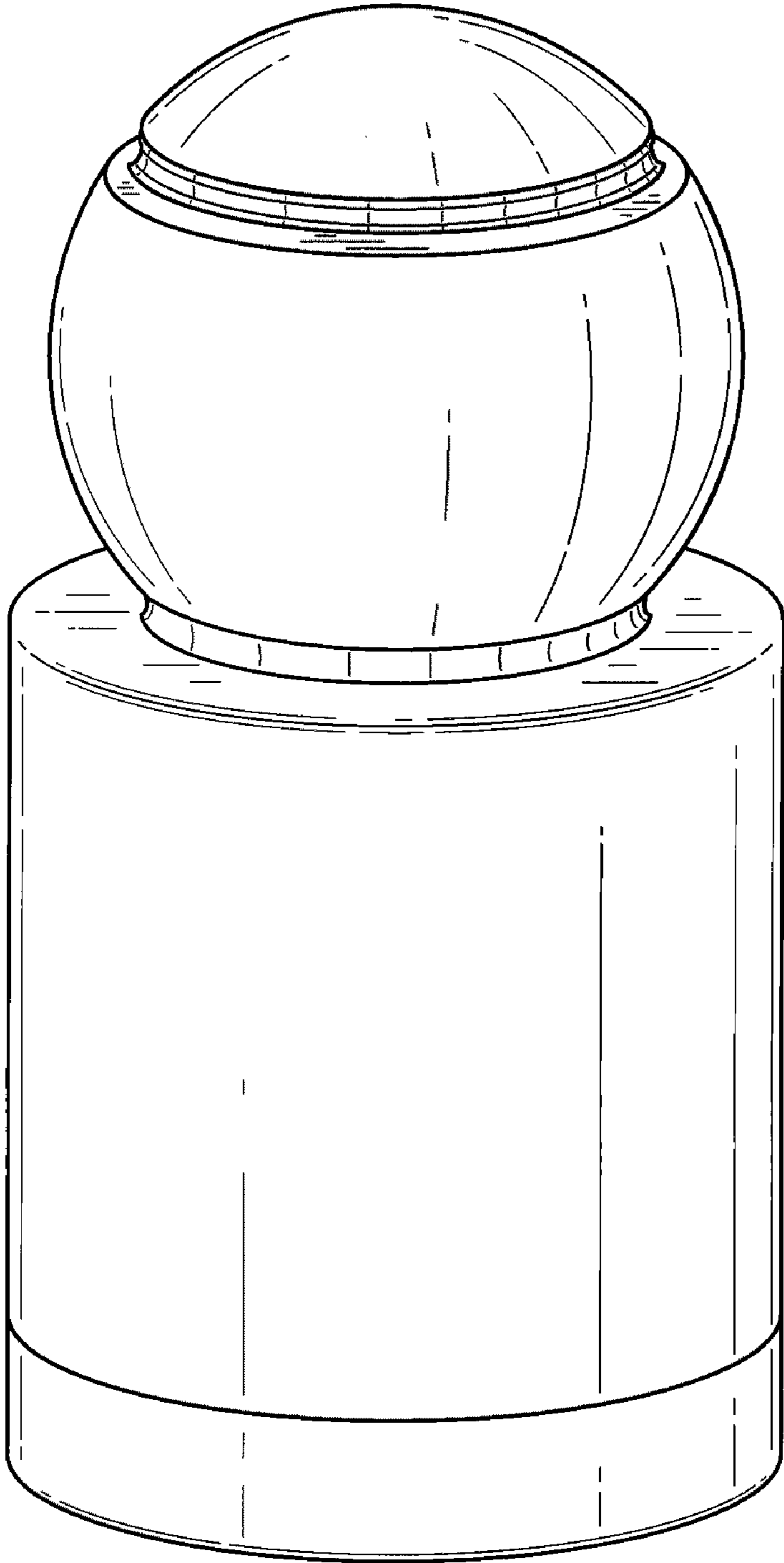


FIG. 1

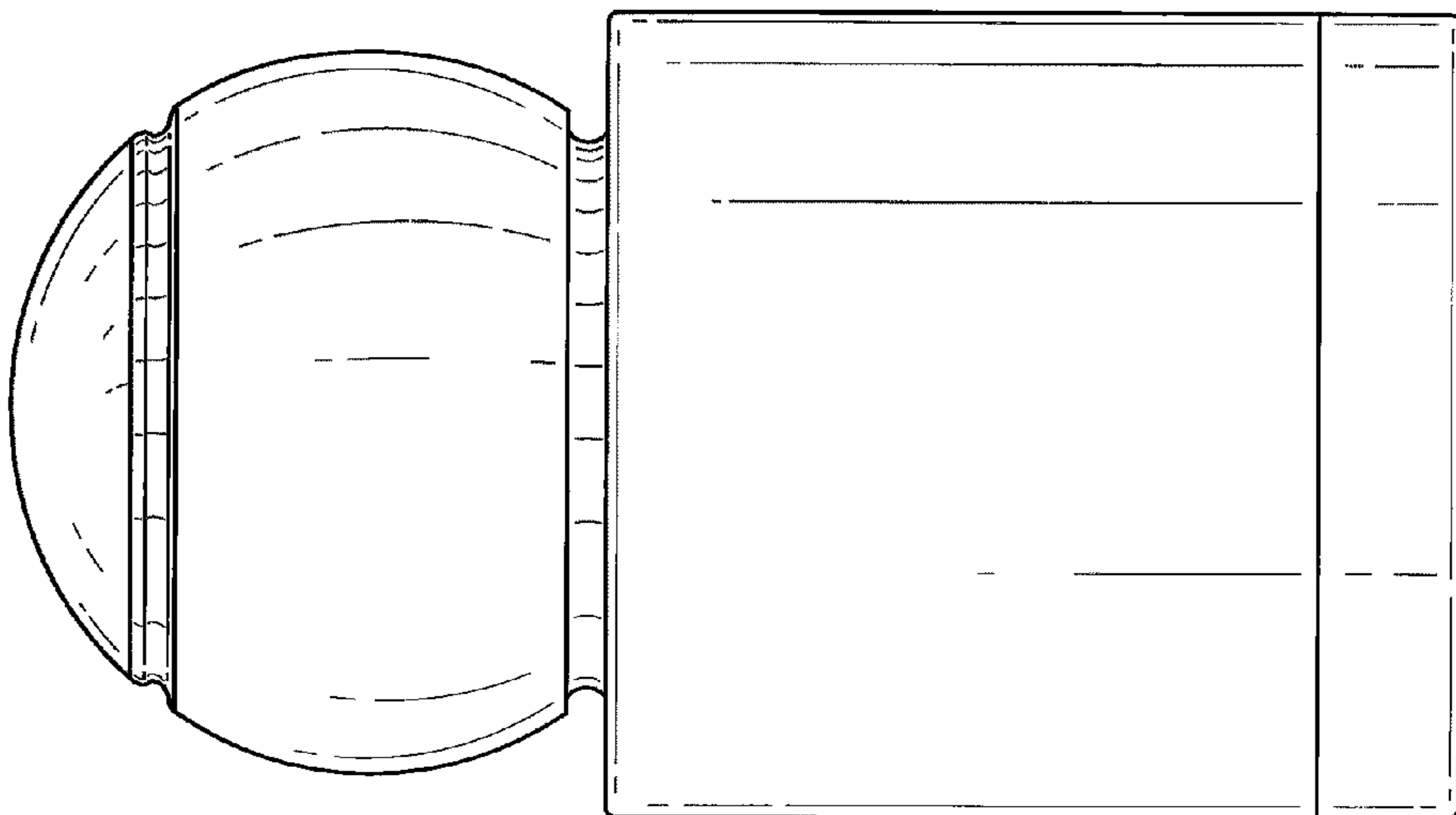


FIG. 2

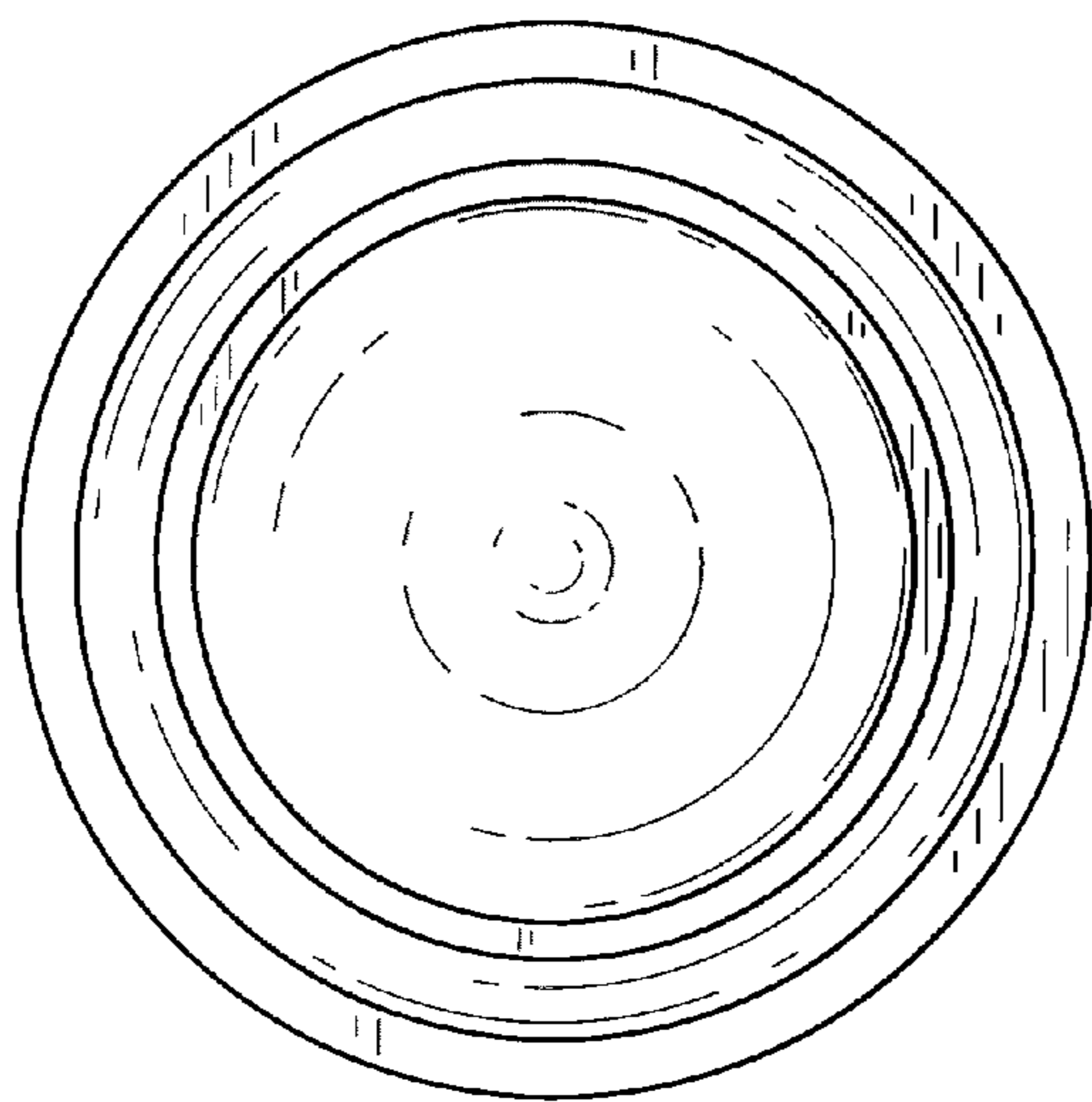


FIG. 3