



US00D641623S

(12) **United States Design Patent**  
**Fields**

(10) **Patent No.:** **US D641,623 S**  
(45) **Date of Patent:** **\*\* \*Jul. 19, 2011**

(54) **FULL LONGITUDINALLY ORIENTED OVAL APERTURE CAN**

D406,236 S 3/1999 Brifcani et al.  
(Continued)

(75) Inventor: **Brian Fields**, Lemont, IL (US)

FOREIGN PATENT DOCUMENTS

(73) Assignee: **Crown Packaging Technology, Inc.**

CH 527102 8/1972  
(Continued)

(\* ) Notice: This patent is subject to a terminal disclaimer.

OTHER PUBLICATIONS

(\*\*) Term: **14 Years**

U.S. Appl. No. 29/363,498: Notice of Allowance dated Nov. 29, 2010, 6 pages.

(21) Appl. No.: **29/368,323**

(Continued)

(22) Filed: **Aug. 23, 2010**

*Primary Examiner* — Cynthia Underwood

(51) **LOC (9) Cl.** ..... **09-07**

(74) *Attorney, Agent, or Firm* — Woodcock Washburn LLP

(52) **U.S. Cl.** ..... **D9/435; D7/387; D9/434**

(58) **Field of Classification Search** ..... D8/435,  
D8/434, 449, 454; D7/387, 396.2, 398, 392.1,  
D7/608; 220/269–271, 500, 600, 619, 623;  
413/31, 6, 8; 426/118; 72/348, 349

(57) **CLAIM**

I claim the ornamental design for a full longitudinally oriented oval aperture can, as shown and described.

See application file for complete search history.

**DESCRIPTION**

(56) **References Cited**

U.S. PATENT DOCUMENTS

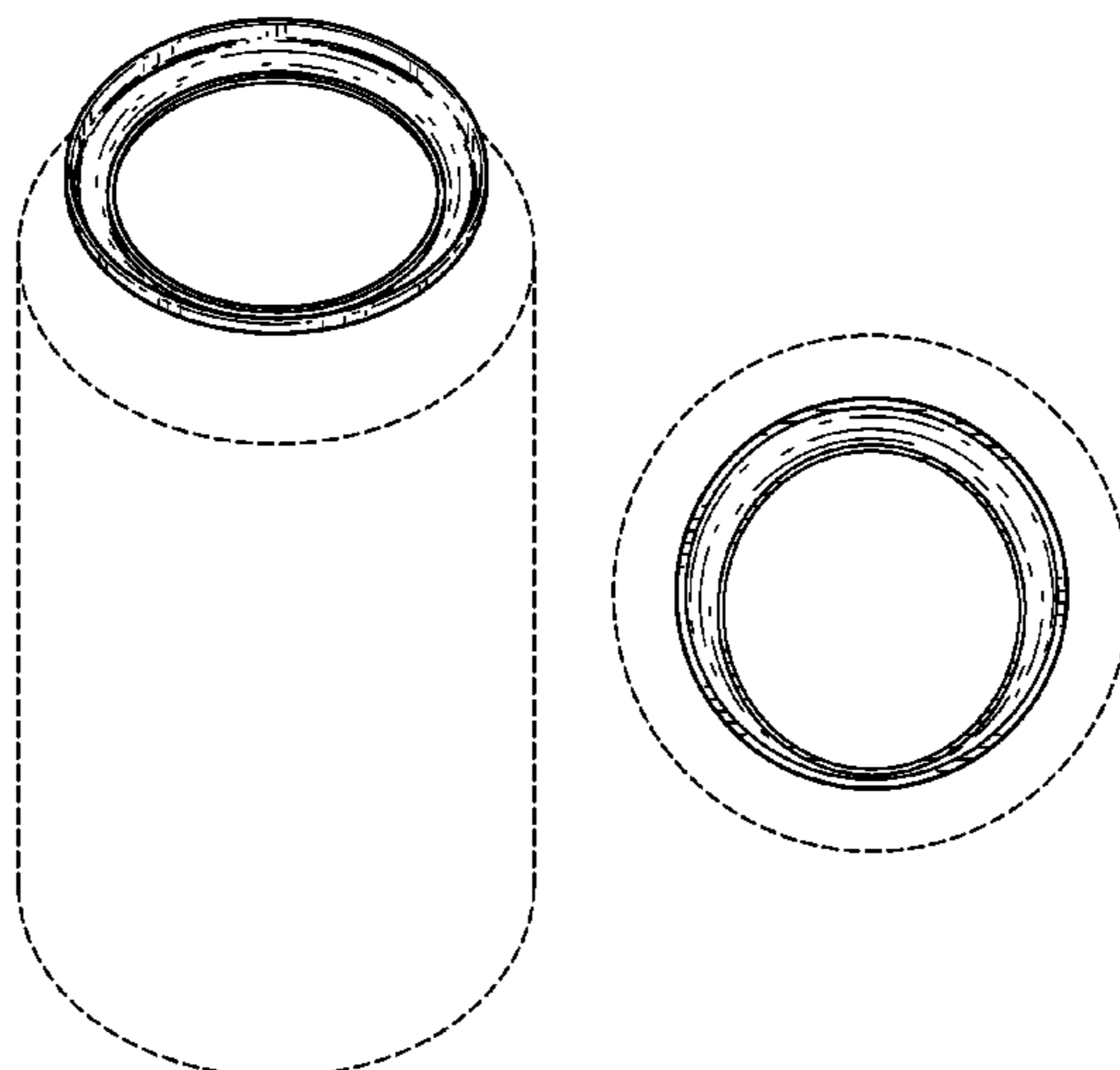
|               |         |                  |       |            |
|---------------|---------|------------------|-------|------------|
| D30,094 S *   | 1/1899  | Busch            | ..... | D9/434     |
| D30,338 S *   | 3/1899  | Mann             | ..... | D9/434     |
| 2,683,579 A   | 7/1954  | Wallace          |       |            |
| 3,301,464 A * | 1/1967  | Amberg           | ..... | 229/125.17 |
| 3,477,608 A   | 11/1969 | Fraze            |       |            |
| 3,485,410 A   | 12/1969 | Boik             |       |            |
| 4,002,262 A   | 1/1977  | Khoury           |       |            |
| 4,271,778 A   | 6/1981  | Le Bret          |       |            |
| D265,280 S *  | 7/1982  | Conti            | ..... | D7/387     |
| D286,508 S *  | 11/1986 | Tilden           | ..... | D9/435     |
| 4,809,861 A   | 3/1989  | Wilkinson et al. |       |            |
| D328,864 S *  | 8/1992  | Grunzweig        | ..... | D9/447     |
| 5,232,114 A   | 8/1993  | Zysset           |       |            |
| 5,356,256 A   | 10/1994 | Turner et al.    |       |            |
| D356,456 S *  | 3/1995  | Henry            | ..... | D6/455     |
| D358,988 S    | 6/1995  | Nolte            |       |            |
| 5,582,319 A   | 12/1996 | Heyes et al.     |       |            |
| D379,588 S *  | 6/1997  | Pledger et al.   | ..... | D9/434     |
| 5,711,448 A   | 1/1998  | Clarke, III      |       |            |
| 5,860,553 A   | 1/1999  | Schubert         |       |            |

This application is related by subject matter to co-pending U.S. Application Ser. No. 12/797,171 filed Jun. 9, 2010, U.S. Application Ser. No. 29/363,492 filed Jun. 10, 2010, U.S. Application Ser. No. 29/363,498 filed Jun. 10, 2010, U.S. Application Ser. No. 29/363,500 filed Jun. 10, 2010, and U.S. Application Ser. No. 29/363,502 filed Jun. 10, 2010. This application is also related by subject matter to co-pending application Ser. No. 29/368,322, filed Aug. 23, 2010 entitled "Full Offset-Circular Aperture Can" and 29/368,324, filed Aug. 23, 2010 entitled "Full Transversely Oriented Oval Aperture Can".

FIG. 1 is a top perspective view of an full longitudinally oriented oval aperture can according to our new design; FIG. 2 is a side view thereof, with all sides being identical. FIG. 3 a top plan view thereof; and, FIG. 4 is bottom plan view thereof.

The portions of the drawings appearing in broken line are for environment only and do not form a part of the claimed design.

**1 Claim, 2 Drawing Sheets**



# US D641,623 S

Page 2

## U.S. PATENT DOCUMENTS

5,911,551 A 6/1999 Moran  
5,957,647 A 9/1999 Hinton  
5,971,259 A 10/1999 Bacon  
6,065,634 A 5/2000 Brifcani et al.  
6,089,072 A 7/2000 Fields  
D431,413 S \* 10/2000 Schaper et al. .... D7/394  
D480,304 S \* 10/2003 Stodd ..... D9/434  
D488,376 S 4/2004 Chung  
6,848,875 B2 2/2005 Brifcani et al.  
6,915,553 B2 7/2005 Turner et al.  
D515,353 S 2/2006 Martin  
D525,127 S \* 7/2006 Cogley et al. .... D9/456  
7,100,789 B2 9/2006 Nguyen et al.  
D559,680 S 1/2008 Jacober et al.  
7,341,163 B2 3/2008 Stodd  
D567,657 S 4/2008 Hall et al.  
D570,213 S \* 6/2008 Newman ..... D9/447  
7,500,376 B2 3/2009 Bathurst et al.  
7,506,779 B2 3/2009 Jentzsch et al.  
D591,149 S \* 4/2009 Bonner et al. .... D9/434  
7,673,768 B2 3/2010 Reed et al.  
7,743,635 B2 6/2010 Jentzsch et al.  
2004/0026433 A1 2/2004 Brifcani et al.

2005/0284869 A1 12/2005 Mills  
2008/0067171 A1 3/2008 Heinicke

## FOREIGN PATENT DOCUMENTS

EP 1813540 8/2007  
EP 09169559.3 9/2009  
GB 1358427 7/1974  
GB 1453131 10/1976

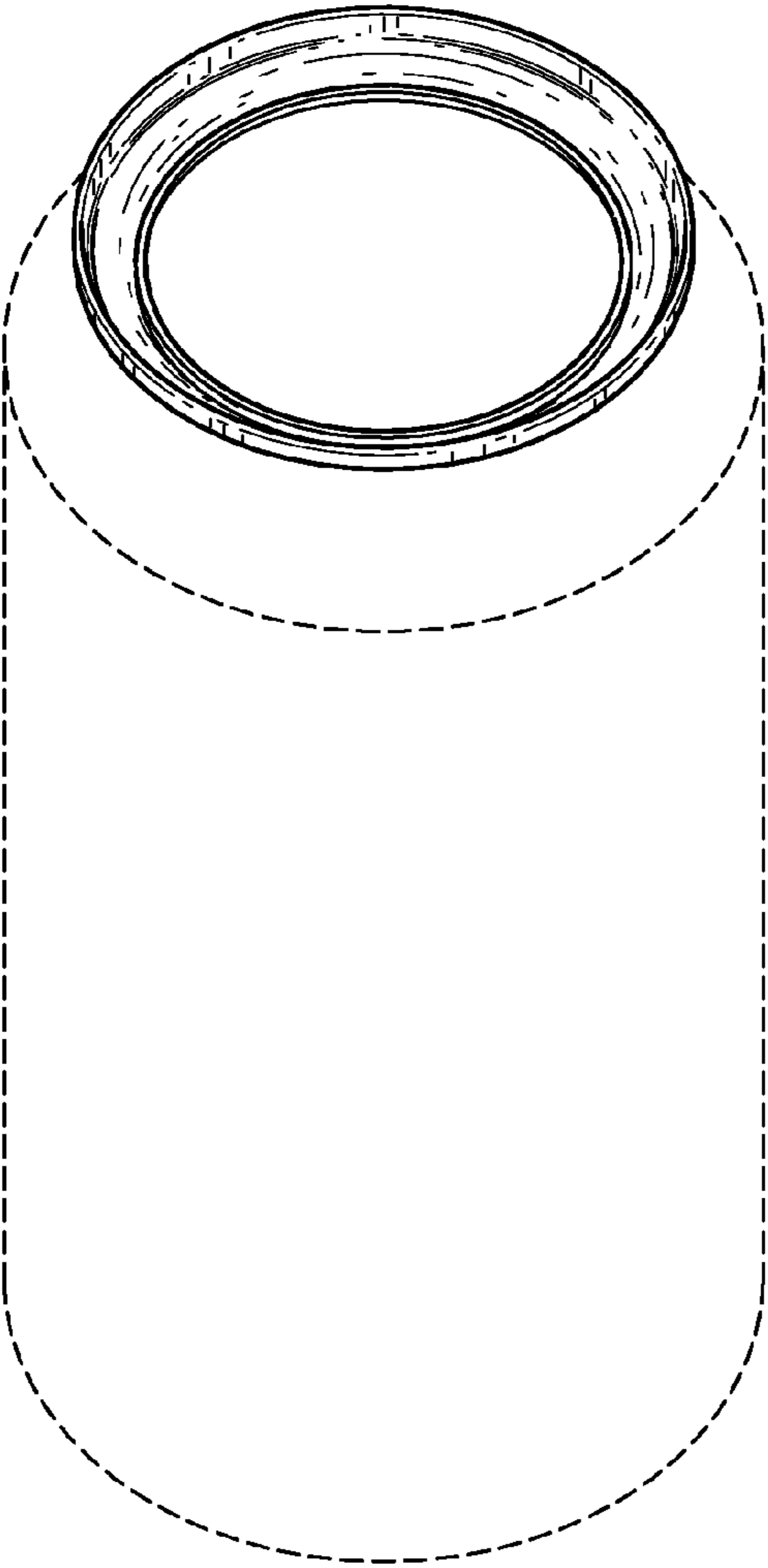
## OTHER PUBLICATIONS

U.S. Appl. No. 29/363,492: Notice of Allowance dated Nov. 30, 2010, 7 pages.

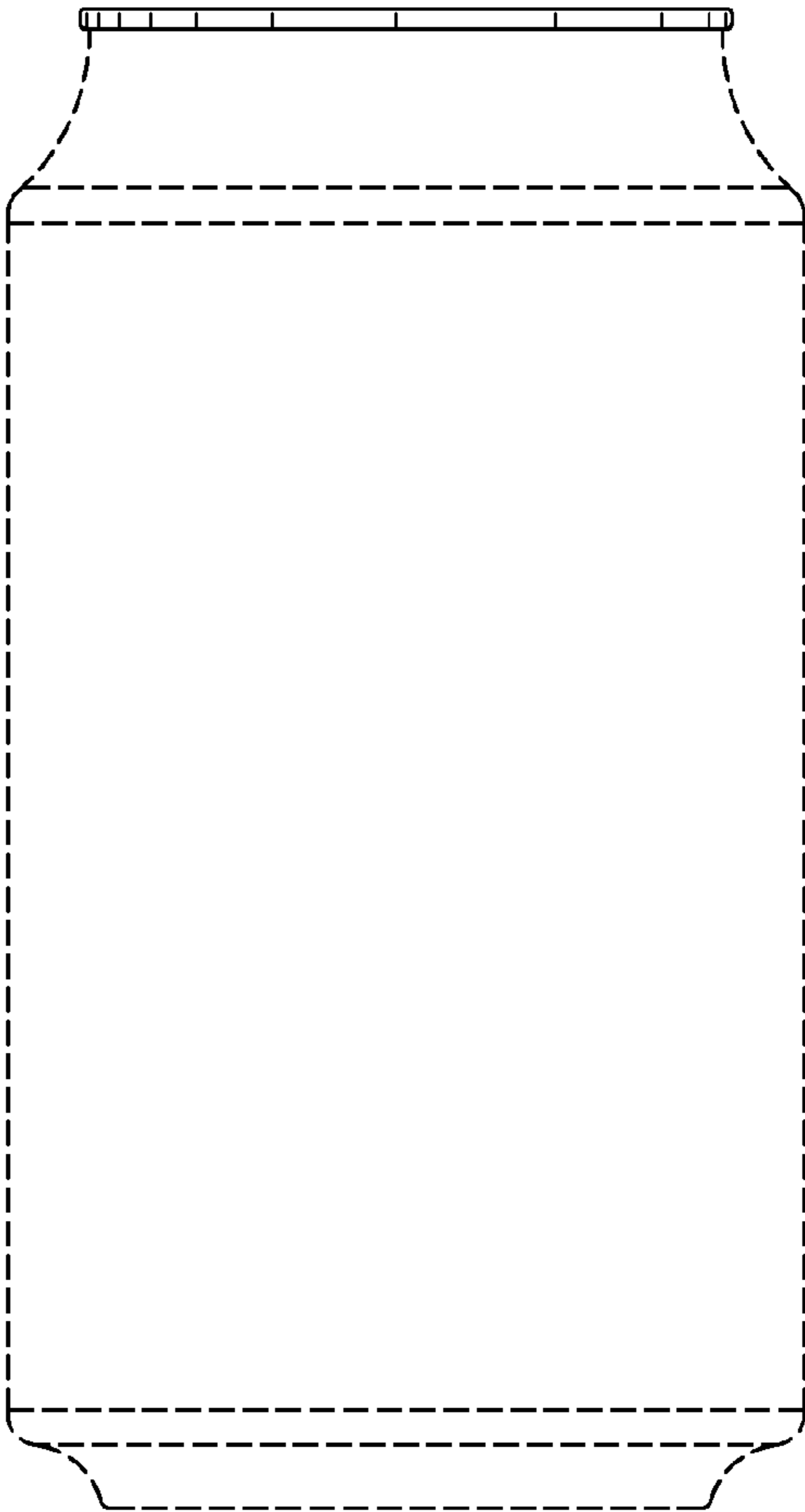
U.S. Appl. No. 29/363,500: Notice of Allowance dated Nov. 30, 2010, 6 pages.

Ball Packaging Europe, "Full aperture tear-off end", [http://www.ball-europe.com/382\\_349\\_ENG\\_PHP.html](http://www.ball-europe.com/382_349_ENG_PHP.html), accessed Dec. 2, 2010, 1 page.

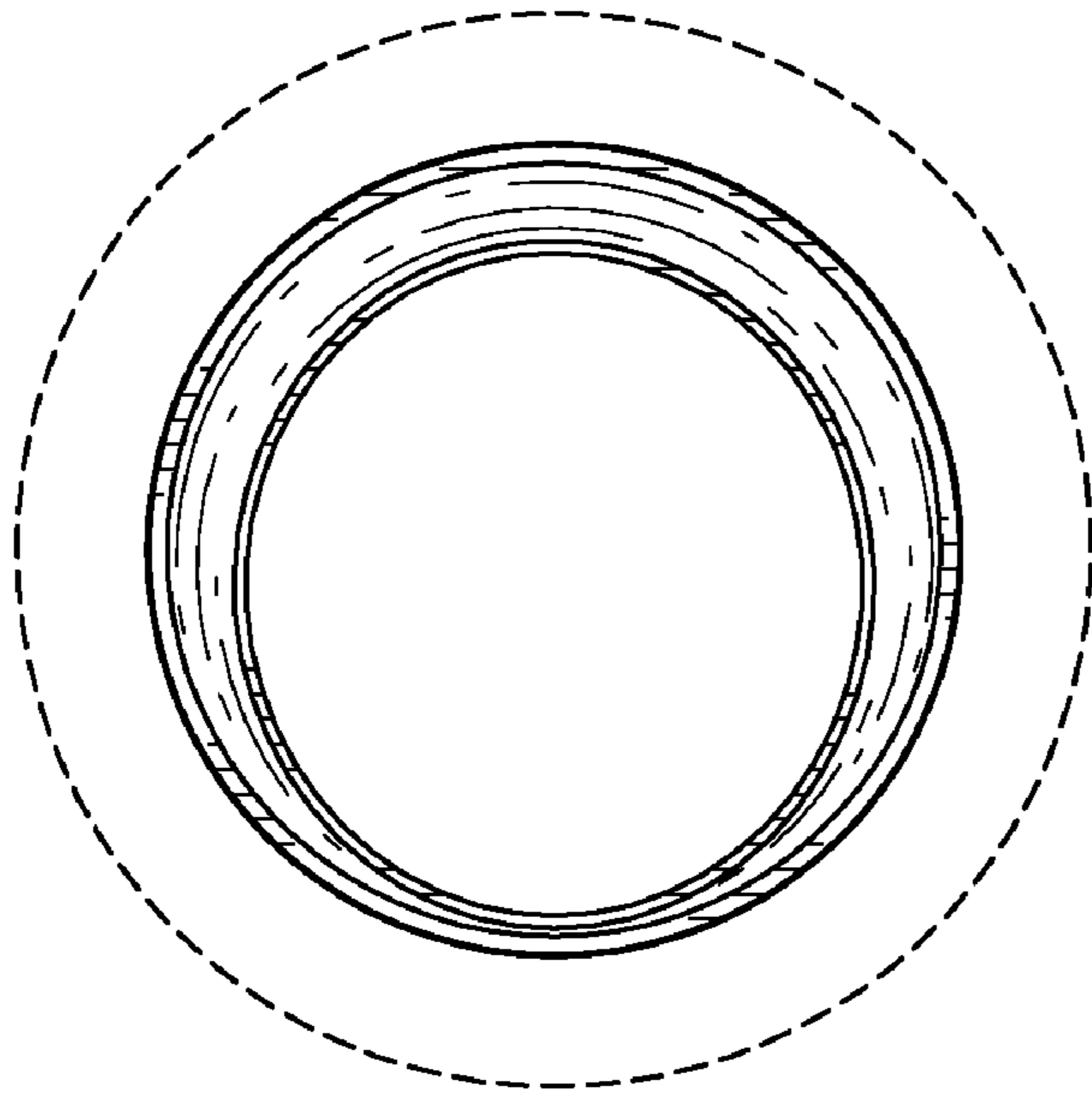
\* cited by examiner



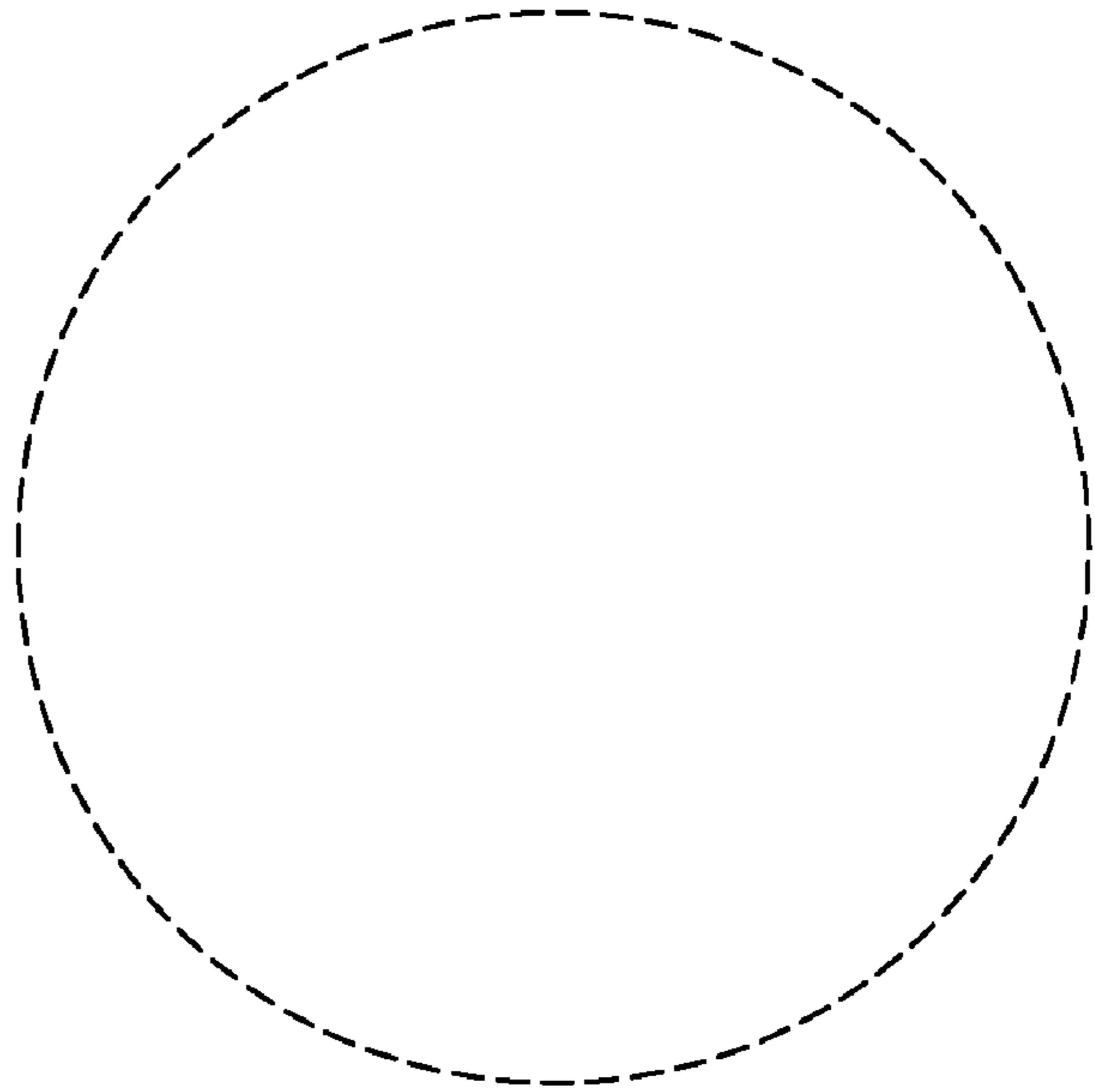
*FIG. 1*



*FIG. 2*



*FIG. 3*



*FIG. 4*