



US00D641622S

(12) **United States Design Patent**
Fields

(10) **Patent No.:** **US D641,622 S**

(45) **Date of Patent:** **** *Jul. 19, 2011**

(54) **FULL APERTURE OPEN BEVERAGE CAN**

FOREIGN PATENT DOCUMENTS

(75) Inventor: **Brian Fields**, Lemont, IL (US)

CH 527102 8/1972
(Continued)

(73) Assignee: **Crown Packaging Technology, Inc.**,
Alsip, IL (US)

OTHER PUBLICATIONS

(**) Term: **14 Years**

U.S. Appl. No. 29/368,323: Notice of Allowance dated Dec. 3, 2010,
6 pages.

(21) Appl. No.: **29/363,498**

(Continued)

(22) Filed: **Jun. 10, 2010**

Primary Examiner — Cynthia Underwood

(51) **LOC (9) Cl.** **09-07**

(74) *Attorney, Agent, or Firm* — Woodcock Washburn LLP

(52) **U.S. Cl.** **D9/435**; D7/387; D9/434

(57) **CLAIM**

The ornamental design for full aperture open beverage can, as
shown and described.

(58) **Field of Classification Search** D8/435,
D8/434, 449, 454; D7/387, 396.2, 398, 392.1,
D7/608; 220/269–271, 500, 600, 619, 623;
413/31, 6, 8; 426/118; 72/348, 349

DESCRIPTION

See application file for complete search history.

This application is related by subject matter to co-pending
applications 29/363,492, filed Jun. 10, 2010, 29/363,500, and
29/363,502, filed Jun. 10, 2010, each entitled “Full Aperture
Open Beverage Can,” and U.S. patent application Ser. No.
12/797,171, filed Jun. 9, 2010 and European Patent Applica-
tion EP09169559.3, filed Sep. 4, 2009.

(56) **References Cited**

U.S. PATENT DOCUMENTS

D30,094 S *	1/1899	Busch	D9/434
D30,338 S *	3/1899	Mann	D9/434
2,683,579 A	7/1954	Wallace		
3,301,464 A *	1/1967	Amberg	229/125.17
3,477,608 A	11/1969	Fraze		
3,485,410 A	12/1969	Boik		
4,002,262 A	1/1977	Khoury		
4,271,778 A *	6/1981	Le Bret	413/6
D265,280 S *	7/1982	Conti	D7/387
D286,508 S *	11/1986	Tilden	D9/435
4,809,861 A	3/1989	Wilkinson et al.		
D328,864 S *	8/1992	Grunzweig	D9/447
5,232,114 A	8/1993	Zysset		
5,356,256 A	10/1994	Turner et al.		
D356,456 S *	3/1995	Henry	D6/455
D358,988 S	6/1995	Nolte		
5,582,319 A	12/1996	Heyes et al.		
D379,588 S *	6/1997	Pledger et al.	D9/434

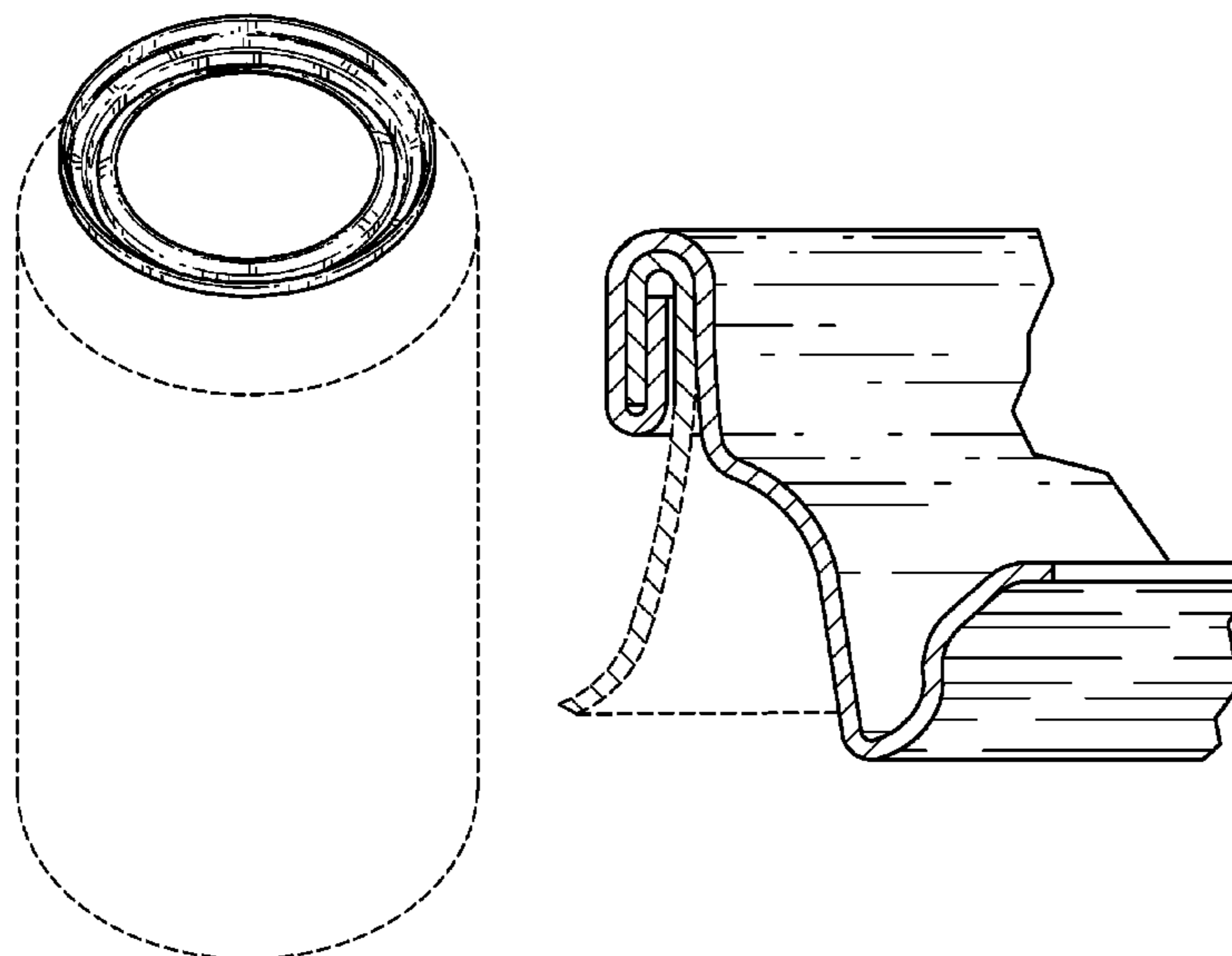
FIG. 1 is a top perspective view of a full aperture open
beverage can according to our design;
FIG. 2 is a side view thereof, with all sides being identical.
FIG. 3 is a top plan view thereof;
FIG. 4 is bottom plan view thereof; and,
FIG. 5 is a cross sectional view of a portion of the full aperture
open beverage can shown taken at arrow 5 in FIG. 3, the view
of FIG. 5 is provided for ornamental information and detail
helpful in interpreting other views.

Any broken line portion of the drawings is included to show
environmental subject matter only and forms no part of the
claimed design.

In a preferred embodiment, the nature of this product is a
beverage can having an aperture on its end from which a user
can drink.

(Continued)

1 Claim, 2 Drawing Sheets



US D641,622 S

Page 2

U.S. PATENT DOCUMENTS

5,711,448 A 1/1998 Clarke, III
5,860,553 A 1/1999 Schubert
D406,236 S 3/1999 Brifcani et al.
5,911,551 A 6/1999 Moran
5,957,647 A 9/1999 Hinton
5,971,259 A 10/1999 Bacon
6,065,634 A 5/2000 Brifcani et al.
6,089,072 A 7/2000 Fields
D431,413 S * 10/2000 Schaper et al. D7/394
D480,304 S * 10/2003 Stodd D9/434
D488,376 S 4/2004 Chung
6,848,875 B2 2/2005 Brifcani et al.
6,915,553 B2 * 7/2005 Turner et al. 29/505
D515,353 S 2/2006 Martin
D525,127 S * 7/2006 Cogley et al. D9/456
7,100,789 B2 9/2006 Nguyen et al.
D559,680 S 1/2008 Jacober et al.
7,341,163 B2 * 3/2008 Stodd 220/623
D567,657 S * 4/2008 Hall et al. D9/454
D570,213 S * 6/2008 Newman D9/447
7,500,376 B2 3/2009 Bathurst et al.
7,506,779 B2 3/2009 Jentzsch et al.

D591,149 S * 4/2009 Bonner et al. D9/434
7,673,768 B2 3/2010 Reed et al.
7,743,635 B2 * 6/2010 Jentzsch et al. 72/117
2004/0026433 A1 * 2/2004 Brifcani et al. 220/600
2005/0284869 A1 12/2005 Mills
2008/0067171 A1 3/2008 Heinicke

FOREIGN PATENT DOCUMENTS

EP 1813540 8/2007
EP 09169559.3 9/2009
GB 1358427 7/1974
GB 1453131 10/1976

OTHER PUBLICATIONS

U.S. Appl. No. 29/363,492: Notice of Allowance dated Nov. 30, 2010, 7 pages.
U.S. Appl. No. 29/363,500: Notice of Allowance dated Nov. 30, 2010, 6 pages.
Ball Packaging Europe, "Full Aperture Tear-off End", http://www.ball-europe.com/382_349_ENG_PHP.html, Accessed Dec. 2, 2010, 1 page.

* cited by examiner

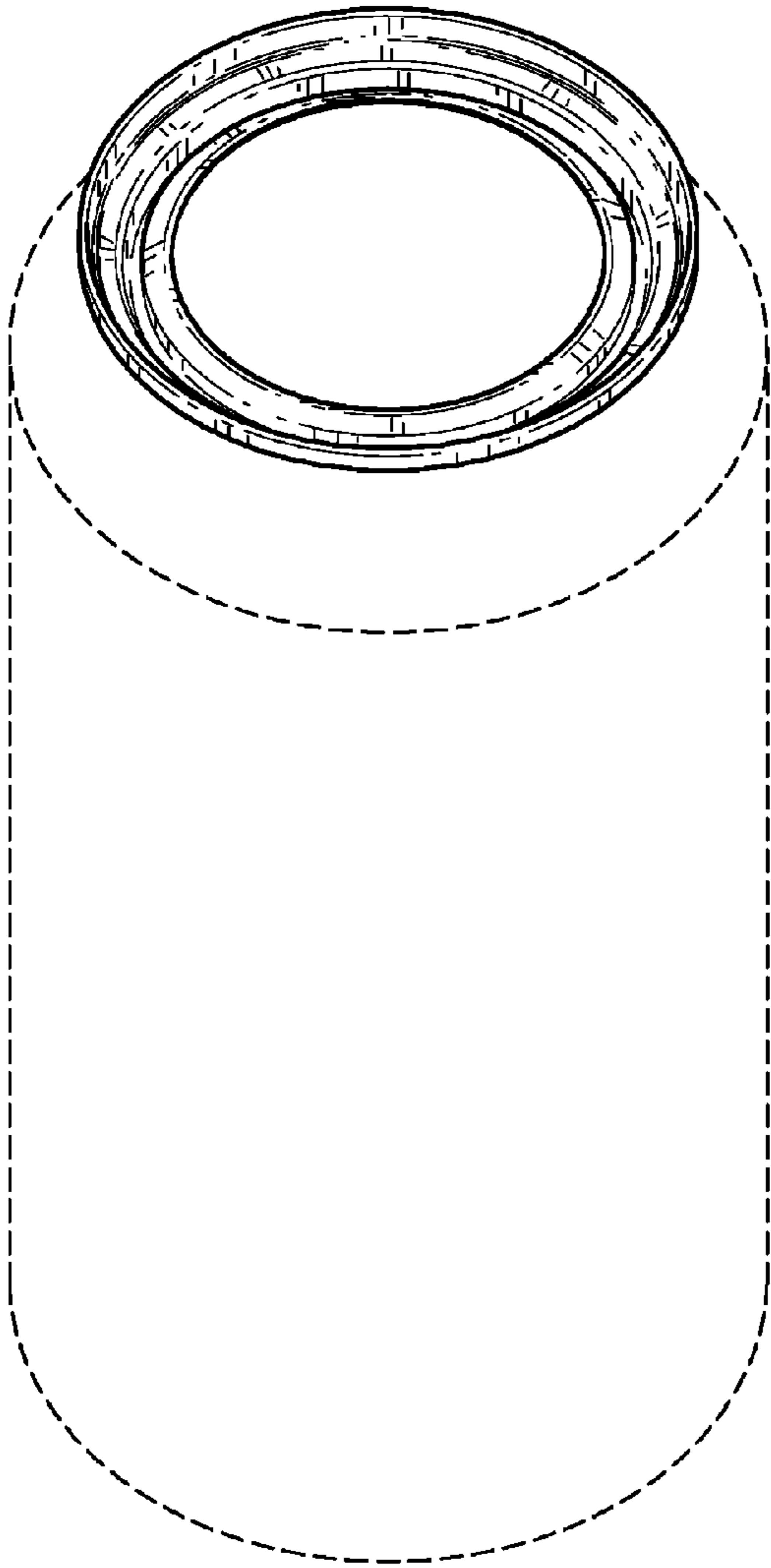


FIG. 1

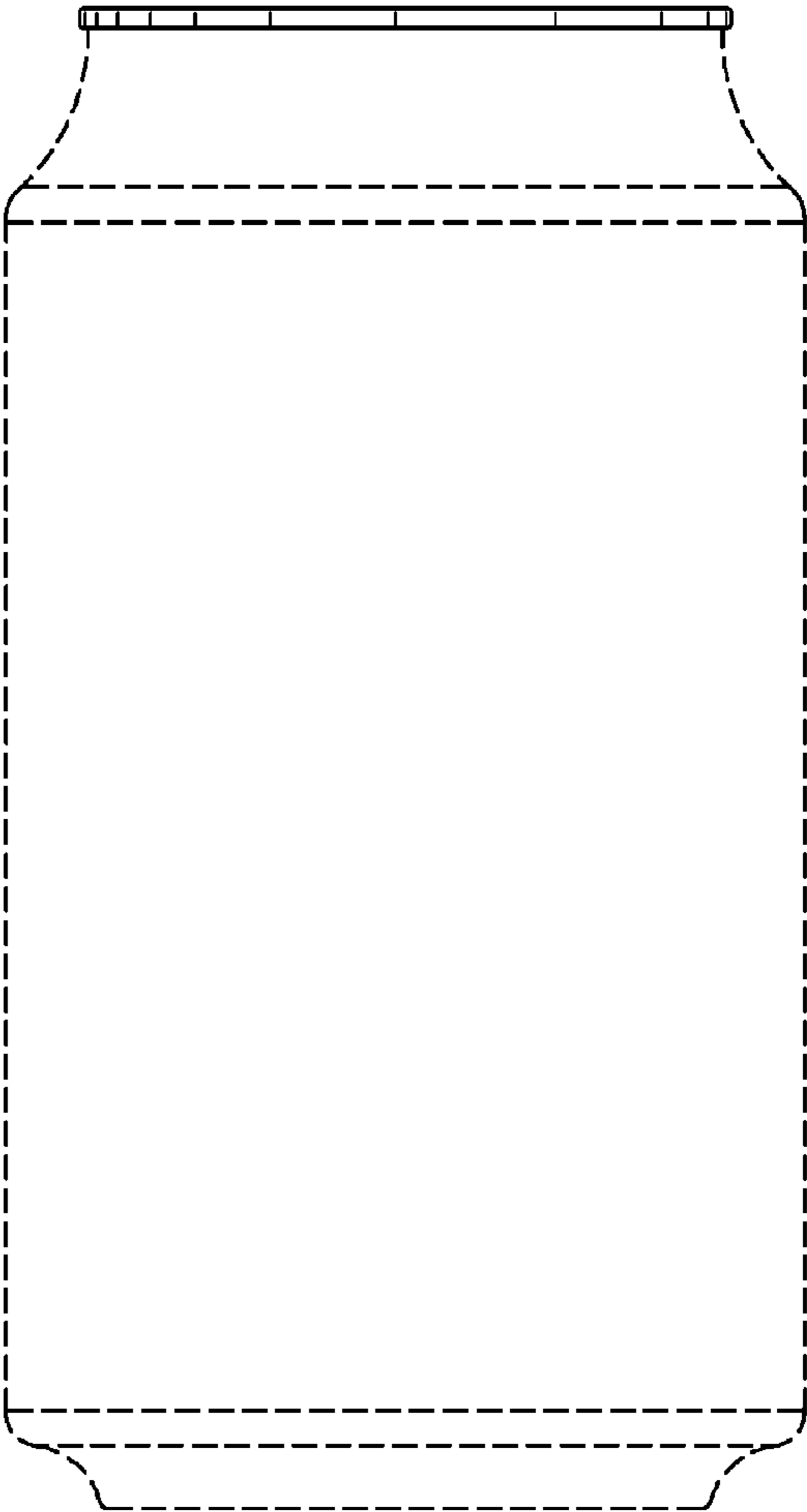


FIG. 2

