



US00D641616S

(12) **United States Design Patent**
Prevost

(10) **Patent No.:** **US D641,616 S**

(45) **Date of Patent:** **** Jul. 19, 2011**

(54) **CLAMSHELL PACKAGE**

(76) Inventor: **Pierre Marcel Prevost**, Burnaby (CA)

(**) Term: **14 Years**

(21) Appl. No.: **29/368,738**

(22) Filed: **Aug. 27, 2010**

(51) **LOC (9) Cl.** **09-03**

(52) **U.S. Cl.** **D9/420; D9/425**

(58) **Field of Classification Search** D9/414-416,
D9/418-421, 423-428, 430-432, 434; D3/302,
D3/314; 206/119, 464, 470, 508, 545, 806;
220/4.22-4.24, 574, 604-608, 659, 675,
220/781-782, 793, 835, 839, DIG. 14; 229/406,
229/407, 902; D7/396.1, 392.1, 394, 538,
D7/543-545, 550.1, 551, 554.3, 587, 566,
D7/584, 586, 629, 667; 221/191; D23/355-366;
219/725, 735

See application file for complete search history.

(56) **References Cited**

U.S. PATENT DOCUMENTS

2,780,385	A	2/1957	Tupper	
3,391,783	A	7/1968	Gantz	
D222,582	S	11/1971	Petrie	
4,193,496	A	3/1980	Barratt	
4,202,464	A	5/1980	Mohs et al.	
4,687,129	A	8/1987	Cugley	
4,724,964	A	2/1988	Hernandez	
D305,000	S	12/1989	Hernandez	
4,986,438	A	1/1991	Borst	
D331,361	S	12/1992	Langolf	
D338,619	S	* 8/1993	Mylander et al.	D9/415
5,699,913	A	12/1997	Richardson	
5,775,516	A	* 7/1998	McCumber et al.	206/470
D411,448	S	6/1999	Baker	
5,964,350	A	10/1999	LaMarche et al.	
6,007,854	A	12/1999	Cadiente et al.	
6,053,321	A	4/2000	Kayser	
D428,331	S	7/2000	MacTavish	
D429,462	S	8/2000	Kumakura et al.	
D459,219	S	* 6/2002	Lee	D9/415
D473,137	S	4/2003	Cadiente et al.	
D478,002	S	8/2003	Lin	

D482,277	S	* 11/2003	Castellanos et al.	D9/425
D483,664	S	* 12/2003	Cadiente	D9/418
D522,355	S	* 6/2006	Castellanos et al.	D9/425
D524,642	S	7/2006	Suckle et al.	
D531,798	S	11/2006	Ringo	
D569,243	S	5/2008	Kidd et al.	
D579,326	S	10/2008	Chen	
D598,740	S	8/2009	Auer	
D606,392	S	12/2009	Prevost	
D615,858	S	5/2010	Prevost	
D624,815	S	* 10/2010	Hansen et al.	D9/420

* cited by examiner

Primary Examiner — Thomas Johannes

(74) *Attorney, Agent, or Firm* — C. Larry Kyle; Nexus Law Group LLP

(57) **CLAIM**

The ornamental design for a clamshell package, as shown and described.

DESCRIPTION

FIG. 1 is a front perspective view of my clamshell package in an open position taken from the bottom right;
 FIG. 2 is a rear perspective view thereof in an open position taken from the bottom left;
 FIG. 3 is a front perspective view thereof in a closed position taken from the bottom right;
 FIG. 4 is a rear perspective view thereof in a closed position taken from the bottom left;
 FIG. 5 is a rear view thereof in the open position shown in FIG. 1;
 FIG. 6 is a right side view thereof in the open position shown in FIG. 1;
 FIG. 7 is a left side view thereof in the open position shown in FIG. 1;
 FIG. 8 is a front view thereof in the open position shown in FIG. 1;
 FIG. 9 is a top view thereof in the open position shown in FIG. 1; and,
 FIG. 10 is a bottom view thereof in the open position shown in FIG. 1.

1 Claim, 5 Drawing Sheets

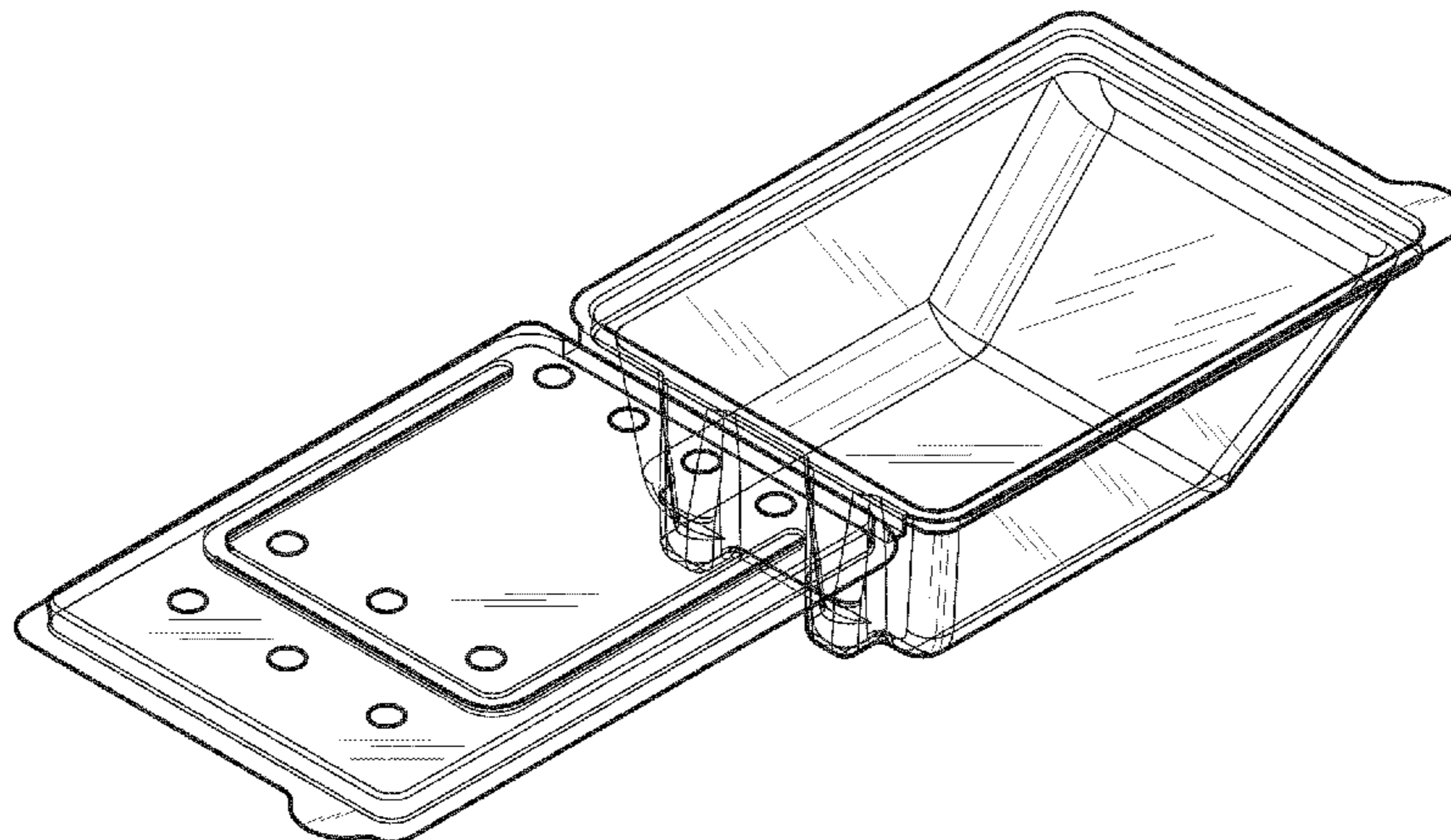


Fig. 1

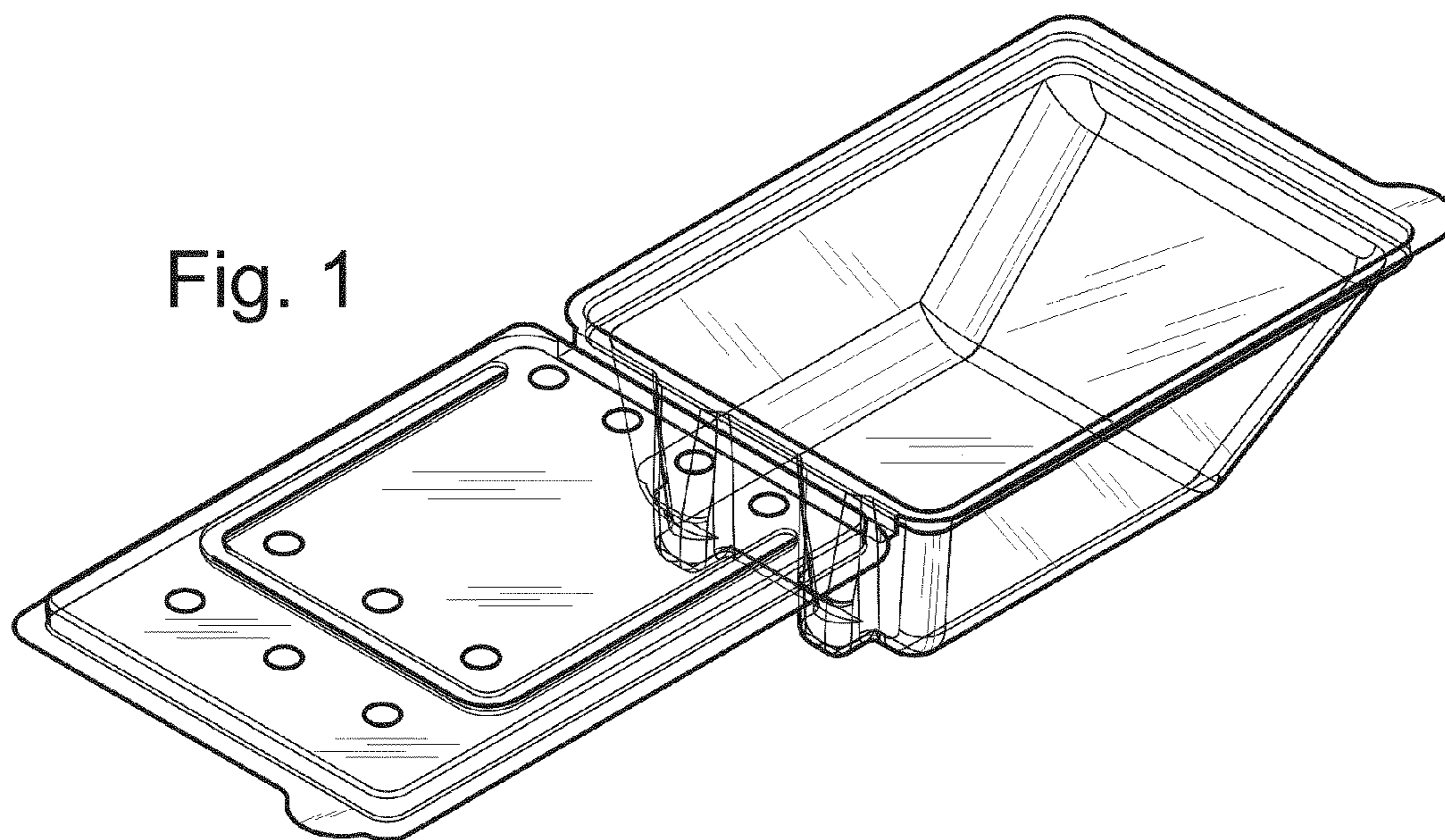


Fig. 2

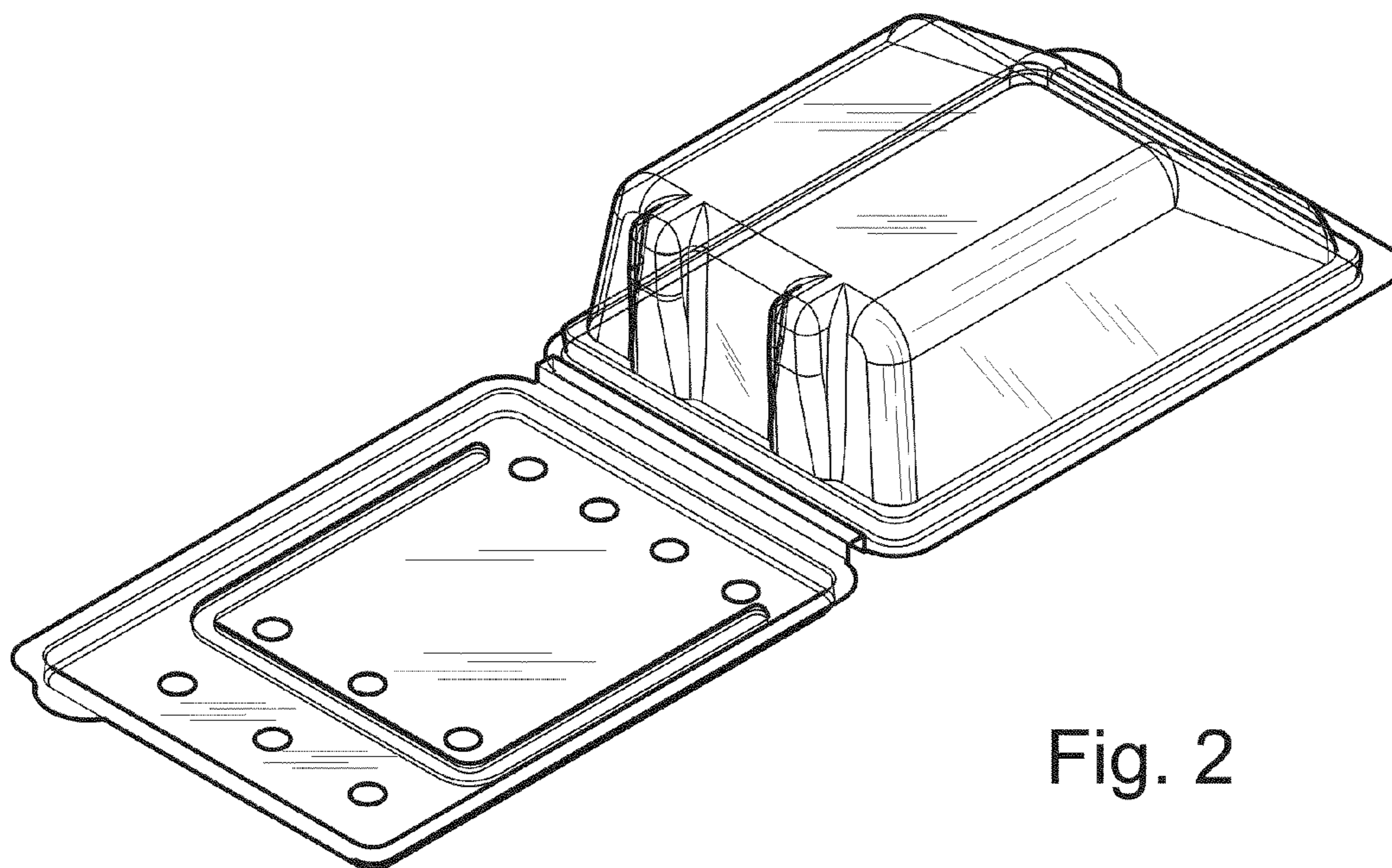


Fig. 3

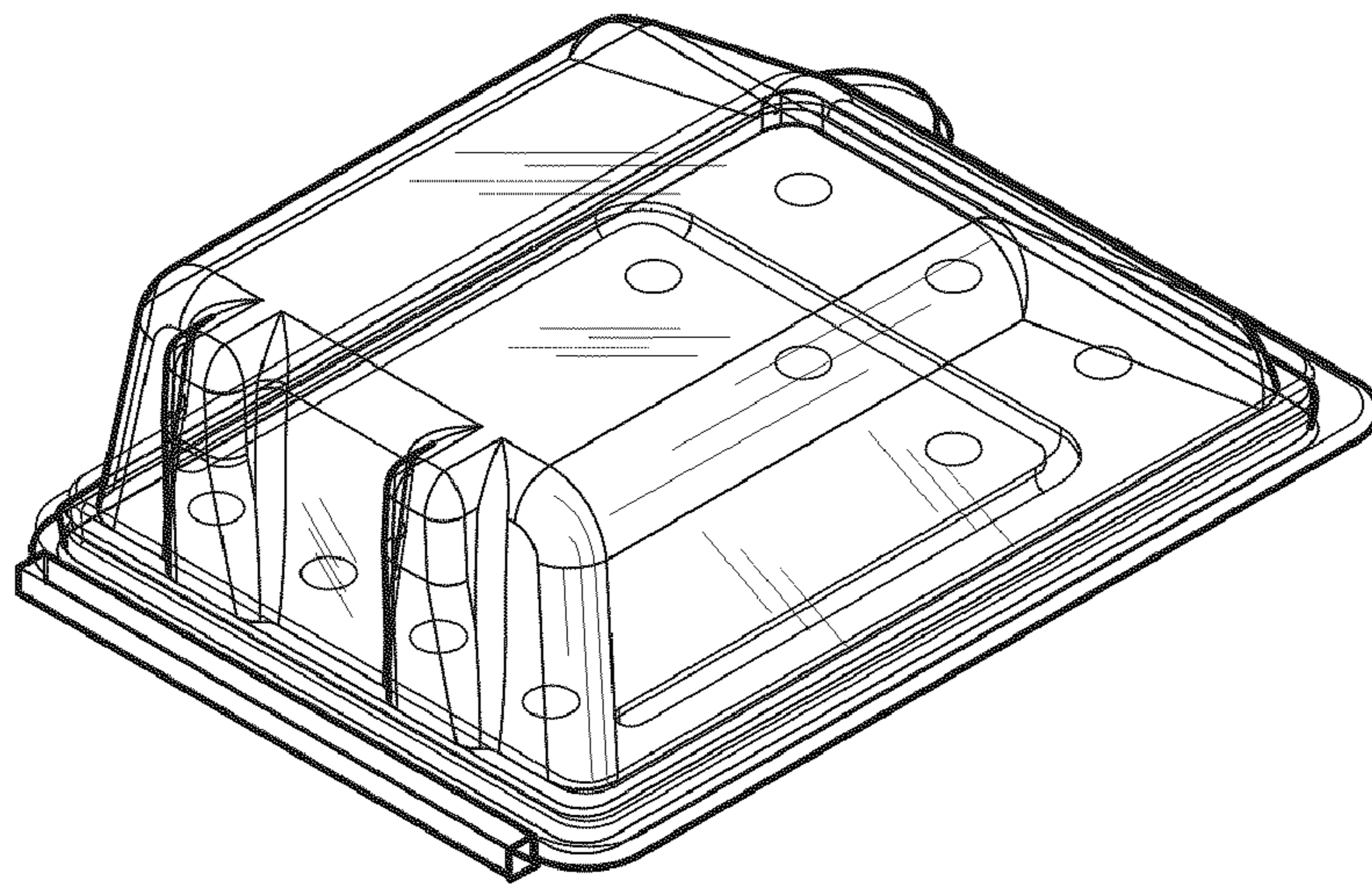
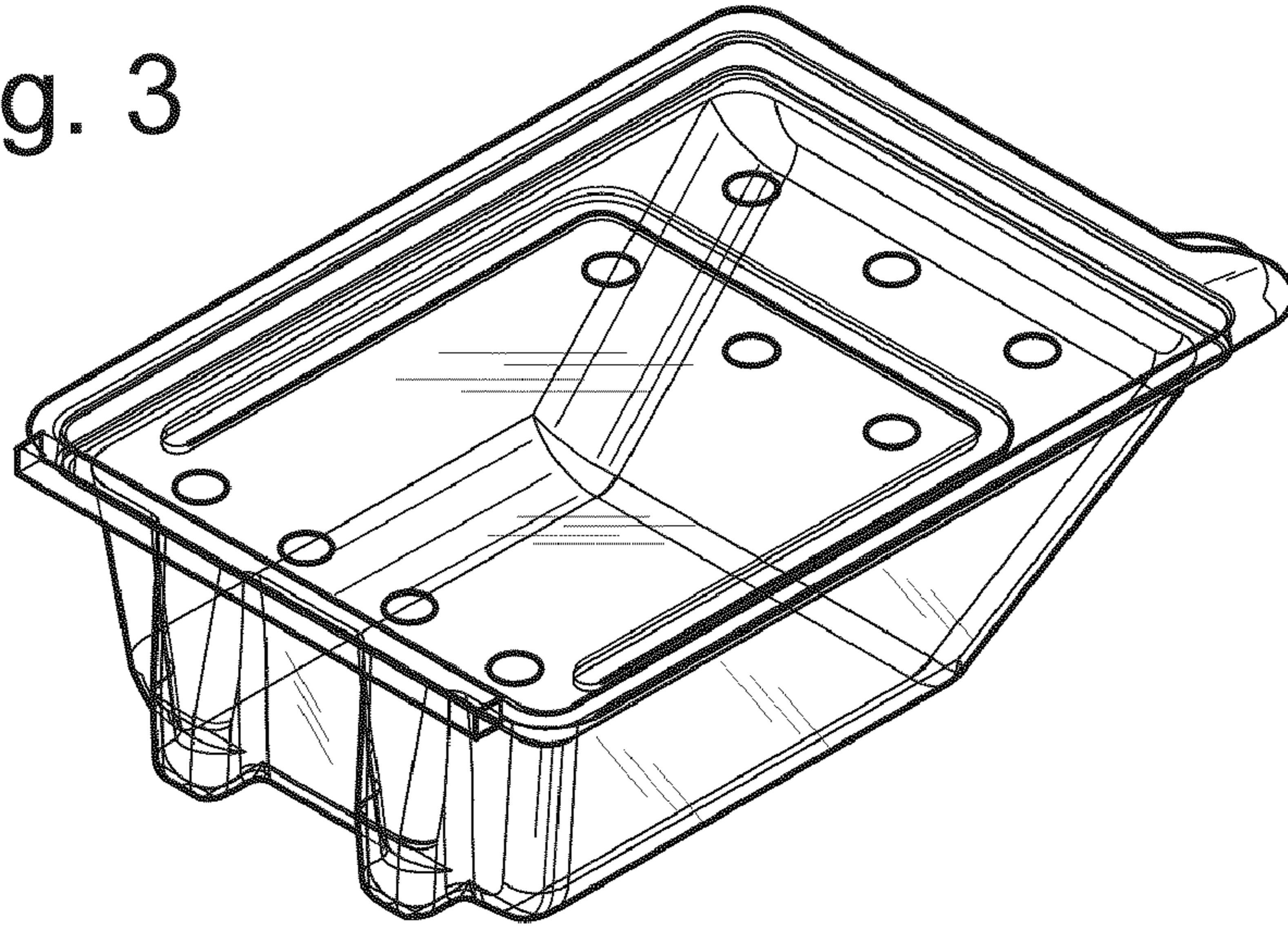


Fig. 4

Fig. 5

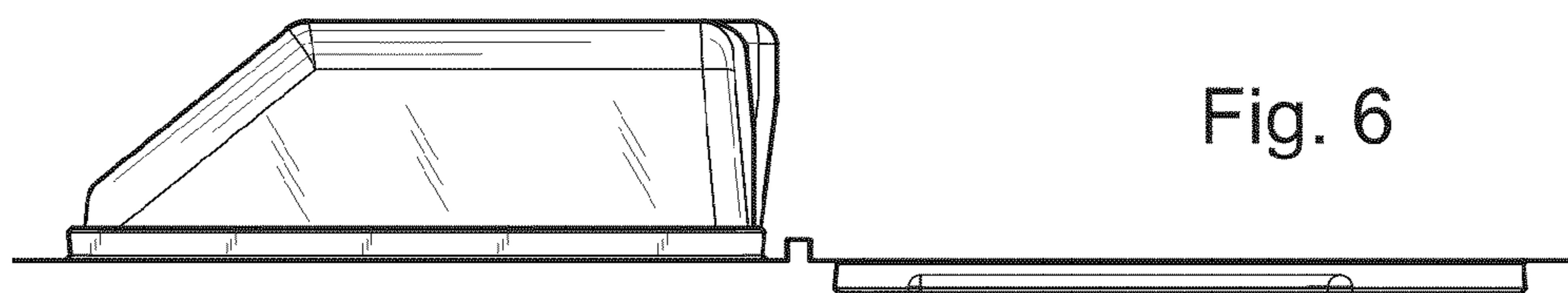
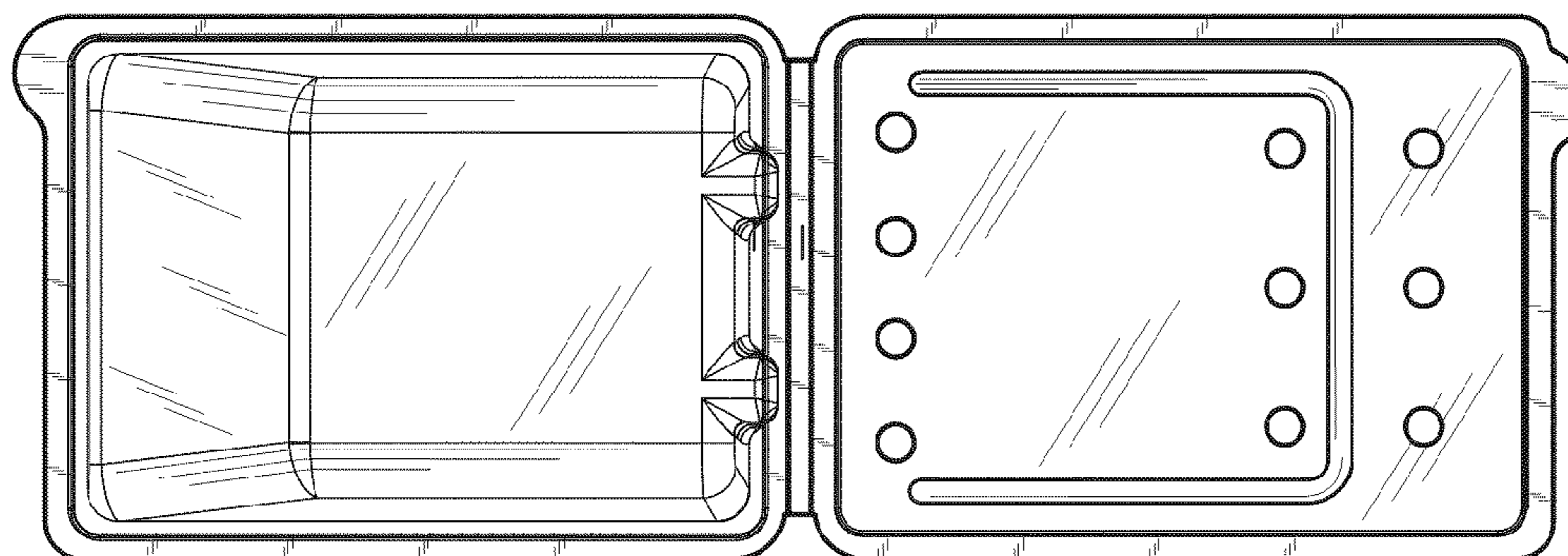


Fig. 6

Fig. 7

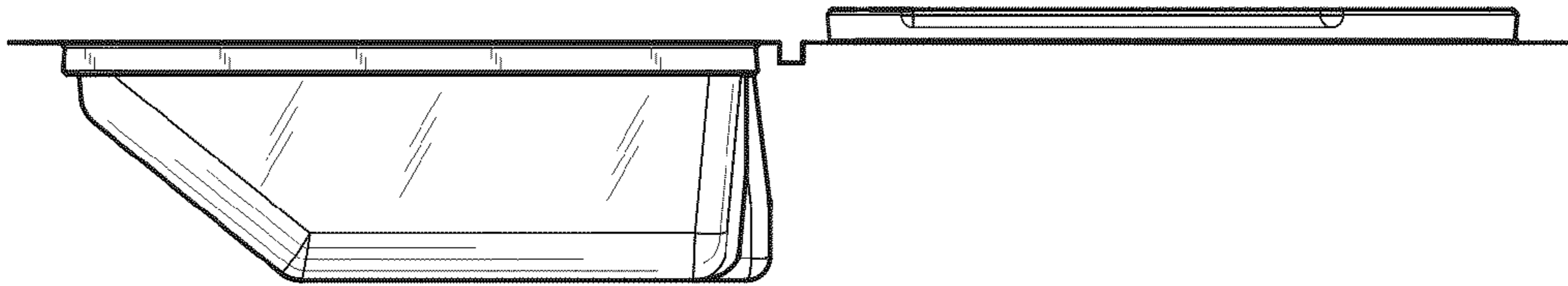
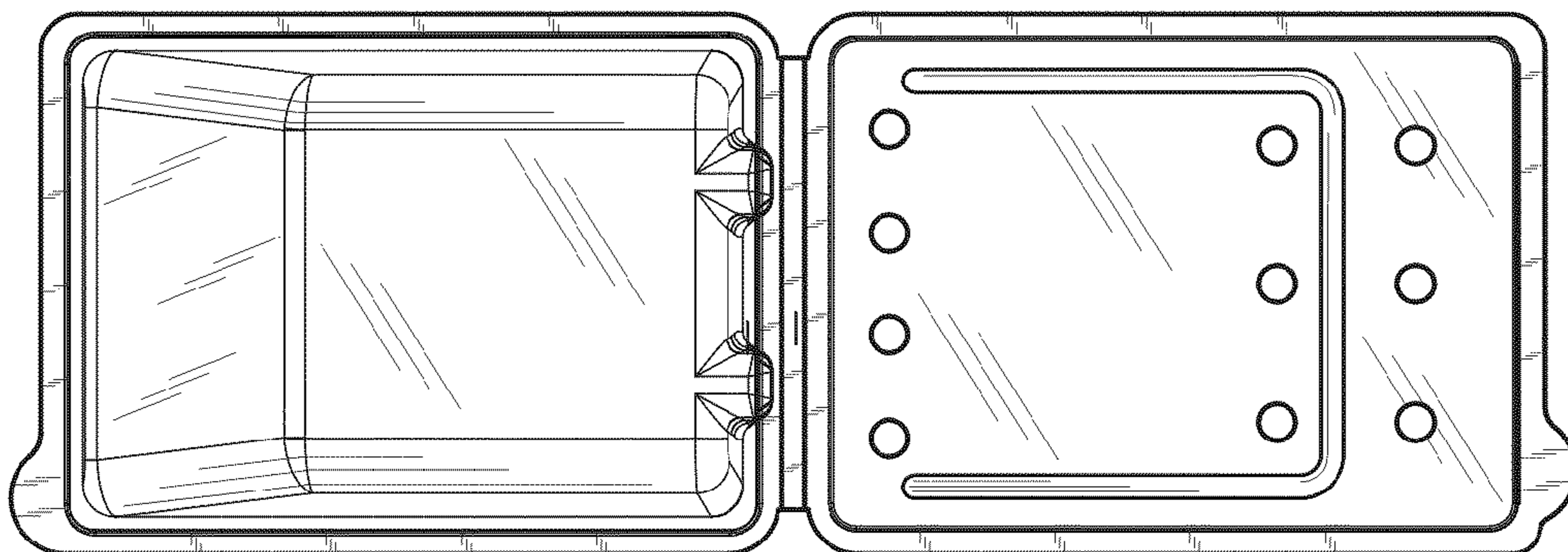


Fig. 8



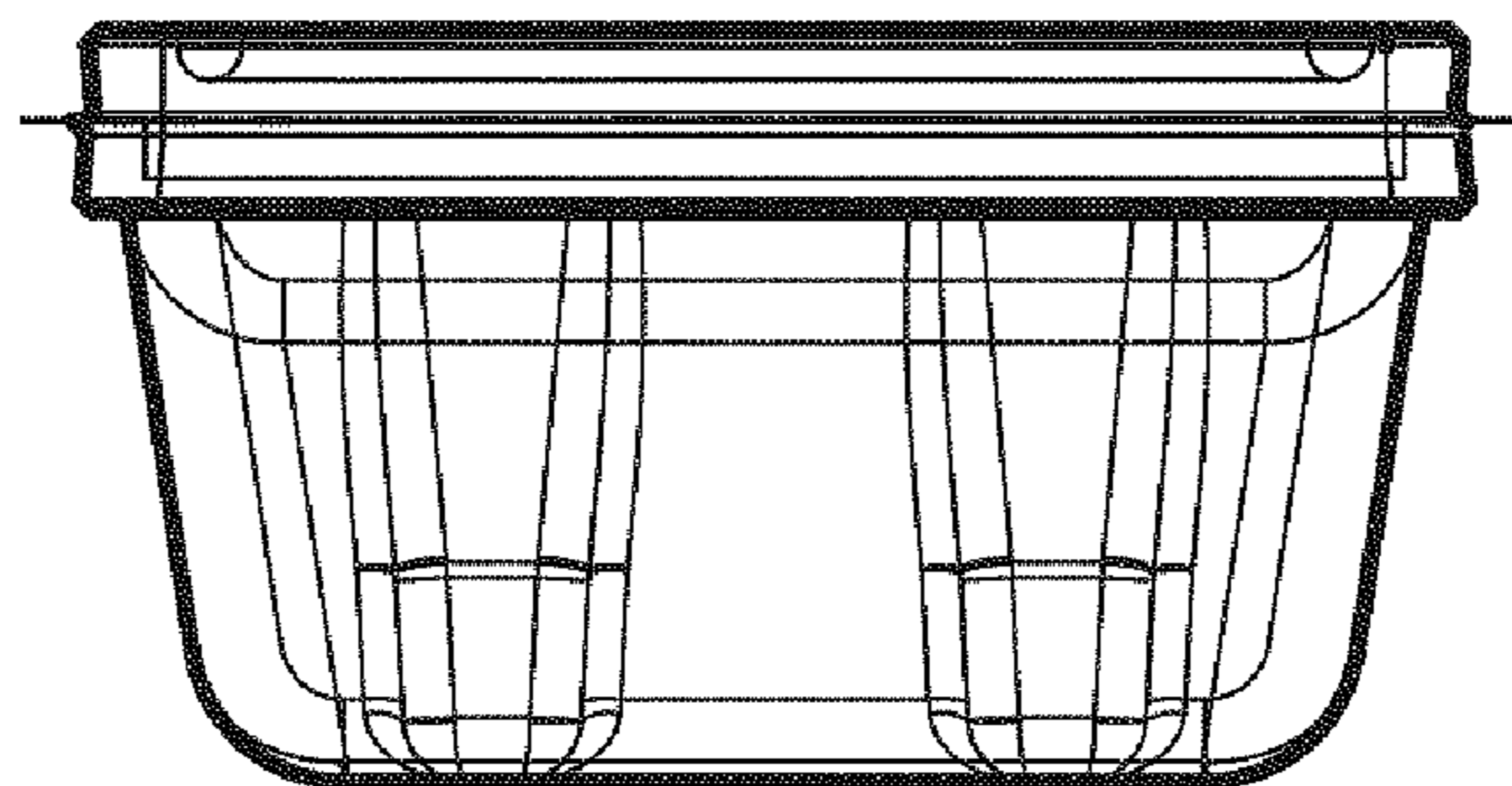


Fig. 9

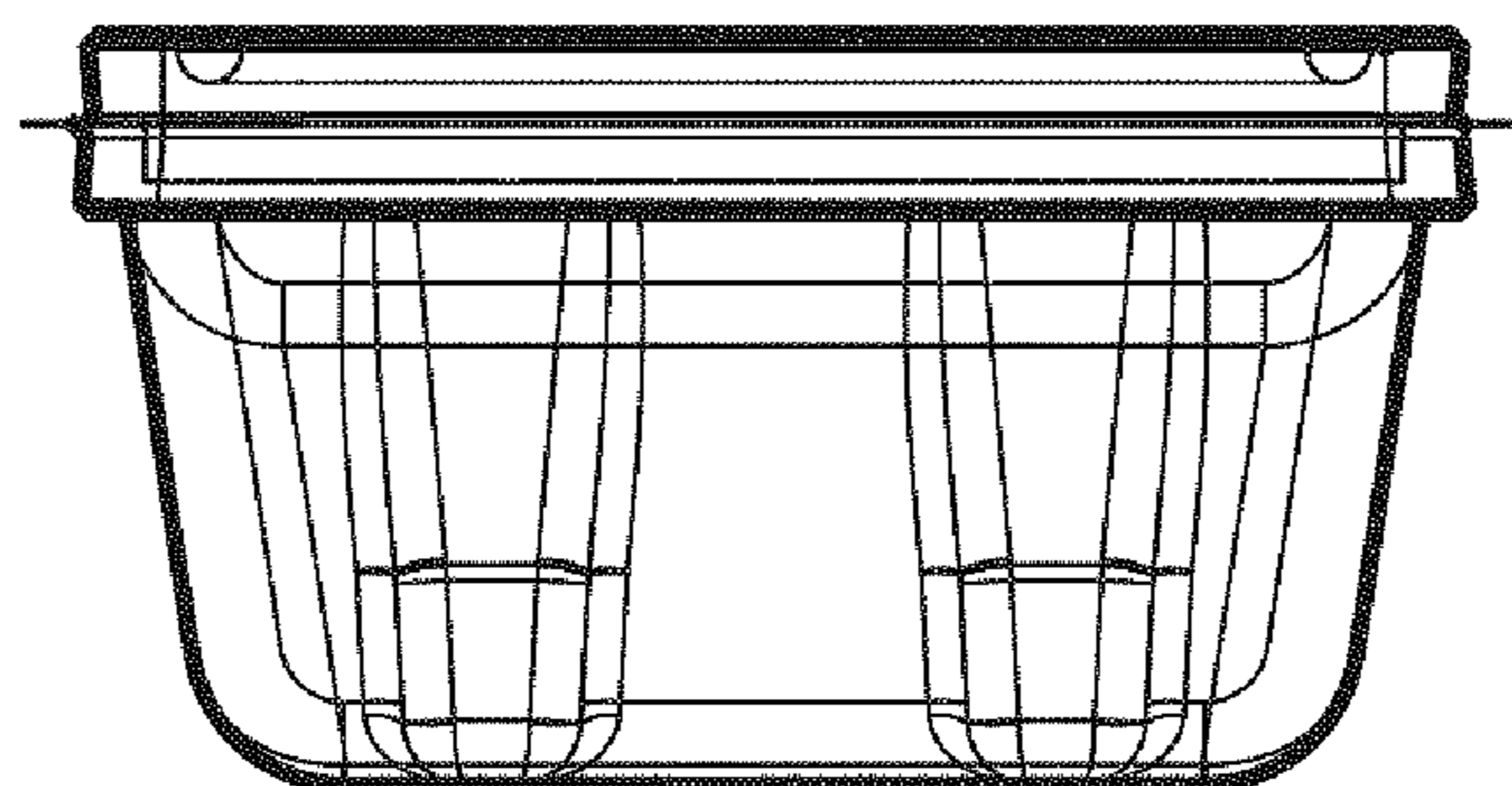


Fig. 10