



US00D641615S

(12) **United States Design Patent**
Lin

(10) **Patent No.:** **US D641,615 S**
(45) **Date of Patent:** **** Jul. 19, 2011**

(54) **SHUTTER LOUVER PIN**

(75) Inventor: **Tzong-Fu Lin**, Taipei (TW)

(73) Assignee: **Whole Space Industries Ltd**, Taipei (TW)

(**) Term: **14 Years**

(21) Appl. No.: **29/379,954**

(22) Filed: **Nov. 29, 2010**

(51) **LOC (9) Cl.** **08-08**

(52) **U.S. Cl.** **D8/394**

(58) **Field of Classification Search** D8/354,
D8/356, 371, 394-396; D19/65, 86; D24/128;
248/74.2, 215, 227.1, 49, 300, 301, 316.7,
248/51, 489; 24/570, 3.12; D3/203.2, 203.3;
D21/392

See application file for complete search history.

(56) **References Cited**

U.S. PATENT DOCUMENTS

3,667,085	A *	6/1972	Cumella et al.	16/30
3,870,266	A *	3/1975	MacDonald	248/235
D257,950	S *	1/1981	Van Meter et al.	D8/396
D347,687	S *	6/1994	Katzer et al.	D24/129
6,958,023	B2 *	10/2005	Simo et al.	473/586
D595,803	S *	7/2009	Giles	D22/107
2007/0137108	A1 *	6/2007	Ohanesian	49/74.1
2008/0271378	A1 *	11/2008	Le et al.	49/89.1
2009/0056226	A1 *	3/2009	Zhang et al.	49/74.1

* cited by examiner

Primary Examiner — Celia Murphy
Assistant Examiner — John Windmuller

(74) *Attorney, Agent, or Firm* — Buchanan Ingersoll & Rooney PC

(57) **CLAIM**

The ornamental design for a shutter louver pin, as shown and described.

DESCRIPTION

FIG. 1 is a front elevated isometric view of the shutter louver pin;

FIG. 2 is a left side view of the shutter louver pin;

FIG. 3 is a right side view of the shutter louver pin;

FIG. 4 is a top view of the shutter louver pin;

FIG. 5 is a bottom view of the shutter louver pin;

FIG. 6 is a front view of the shutter louver pin;

FIG. 7 is a rear view of the shutter louver pin;

FIG. 8 is a front elevated isometric view of two shutter louver pins positioned in opposite ends of a louver for a shutter;

FIG. 9 is a front view of the shutter louver pins positioned in a louver for a shutter;

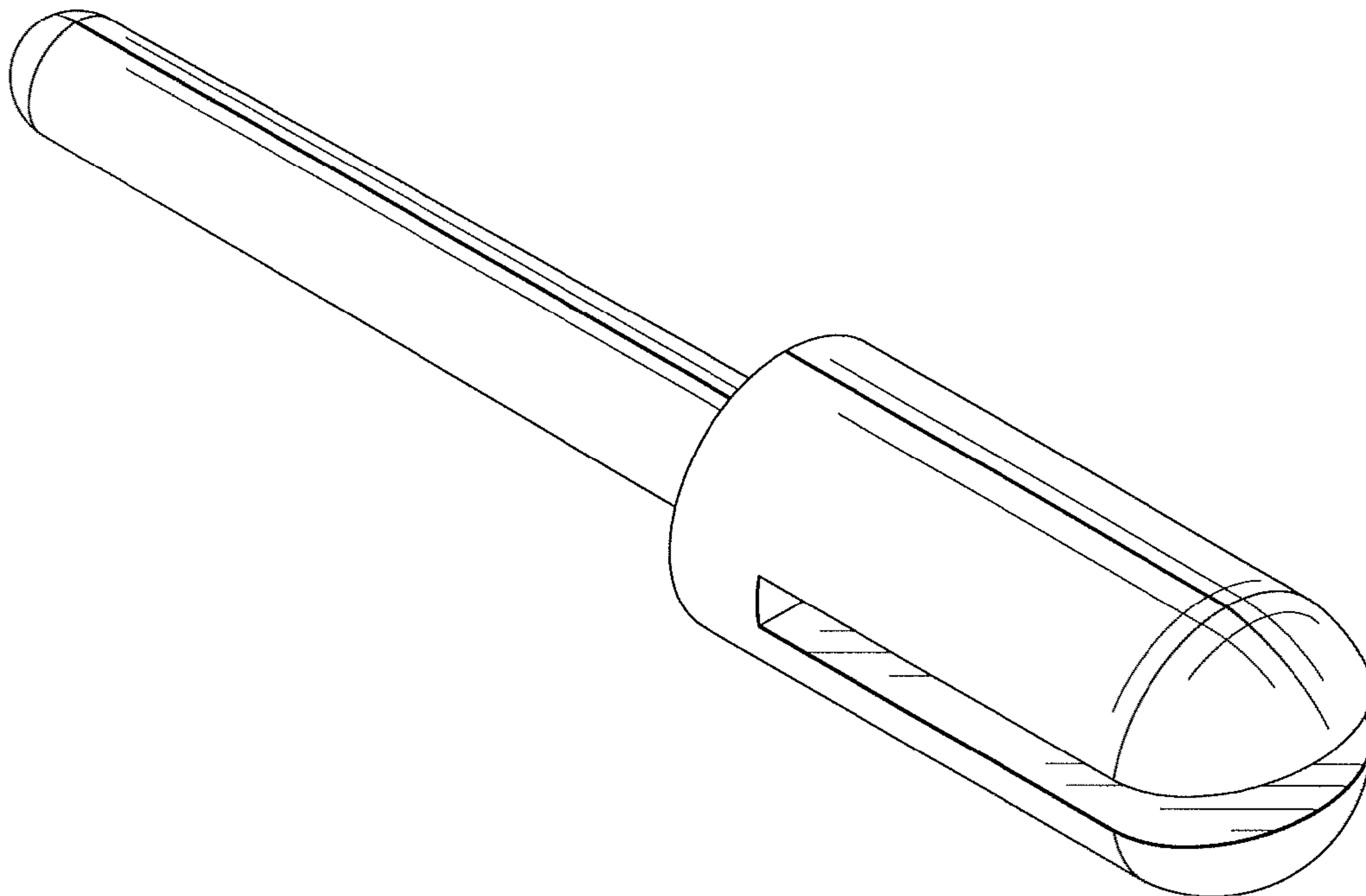
FIG. 10 is a rear view of the shutter louver pins positioned in a louver for a shutter;

FIG. 11 is a top view of the shutter louver pins positioned in a louver for a shutter, the bottom view being identical to the top view; and,

FIG. 12 is a fragmentary end view of the shutter louver pin positioned in one end of a louver for a shutter.

The shutter louver pin shown in broken line in FIGS. 8-11 form no part of the claimed design. Also, the shutter louver shown in broken line in FIGS. 8-12 forms no part of the claimed design. The shutter louver shown in FIGS. 8-11 is shown broken away in FIGS. 8-11 to indicate indeterminate length.

1 Claim, 5 Drawing Sheets



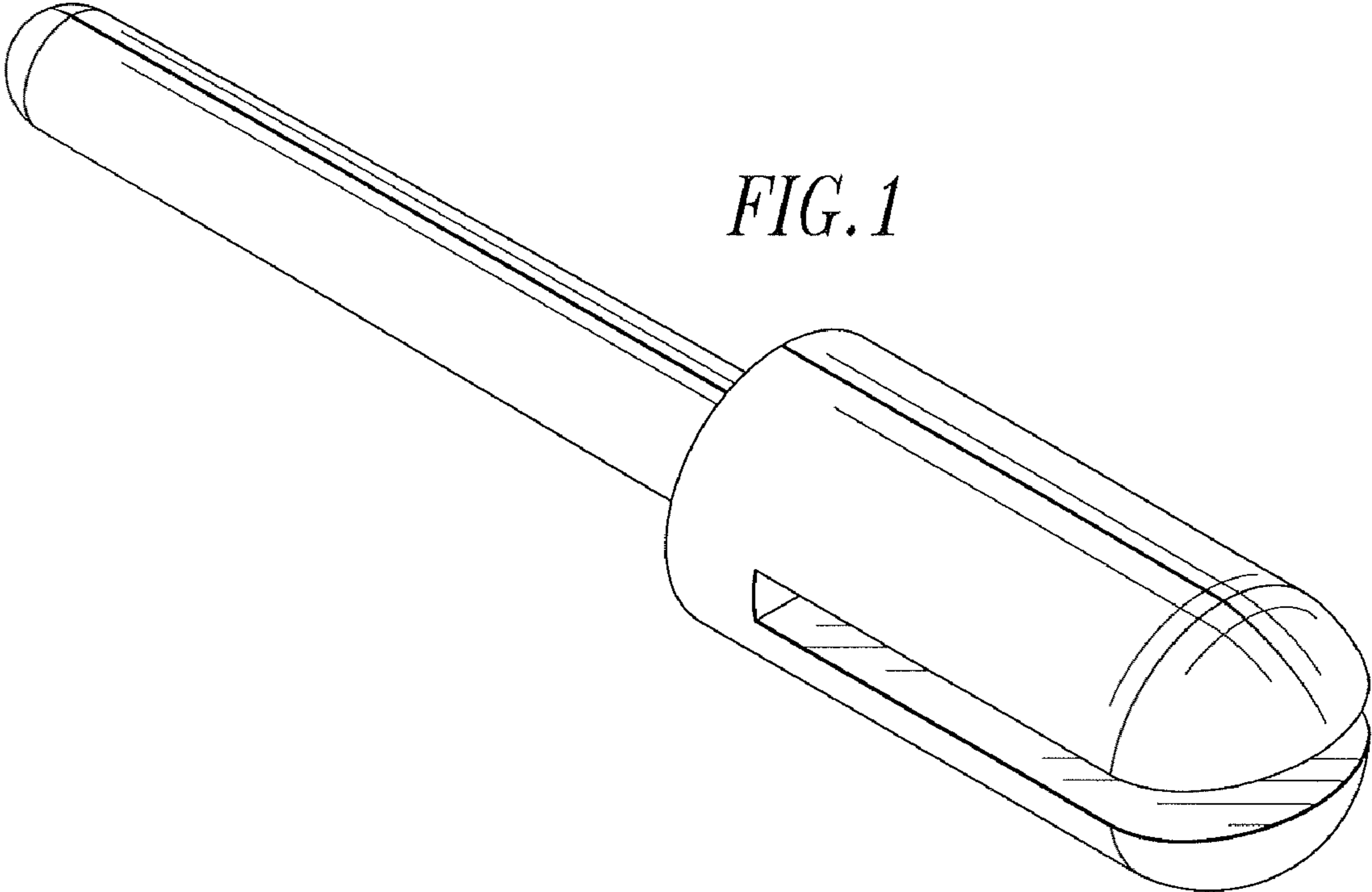


FIG. 1

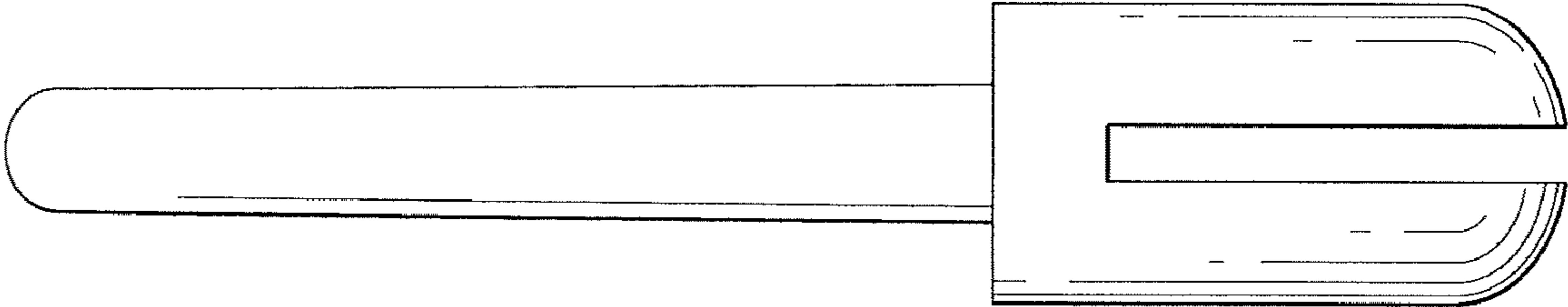


FIG. 2

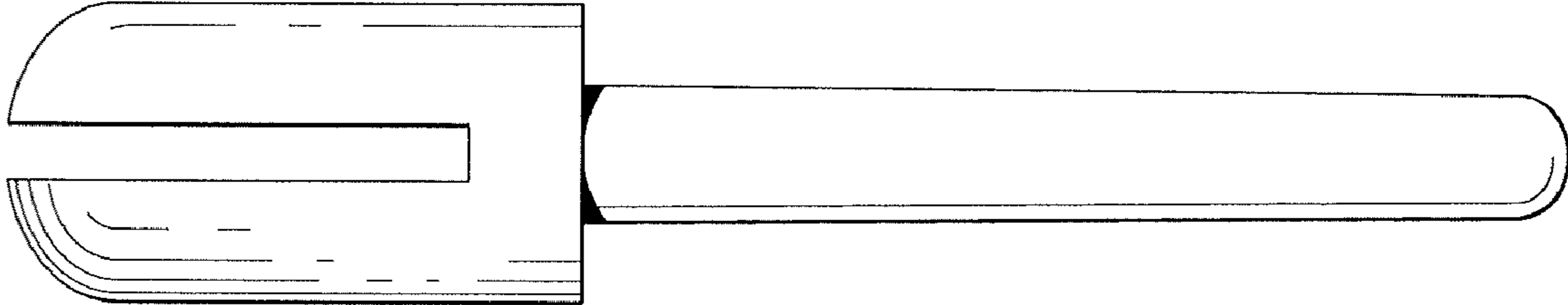


FIG. 3

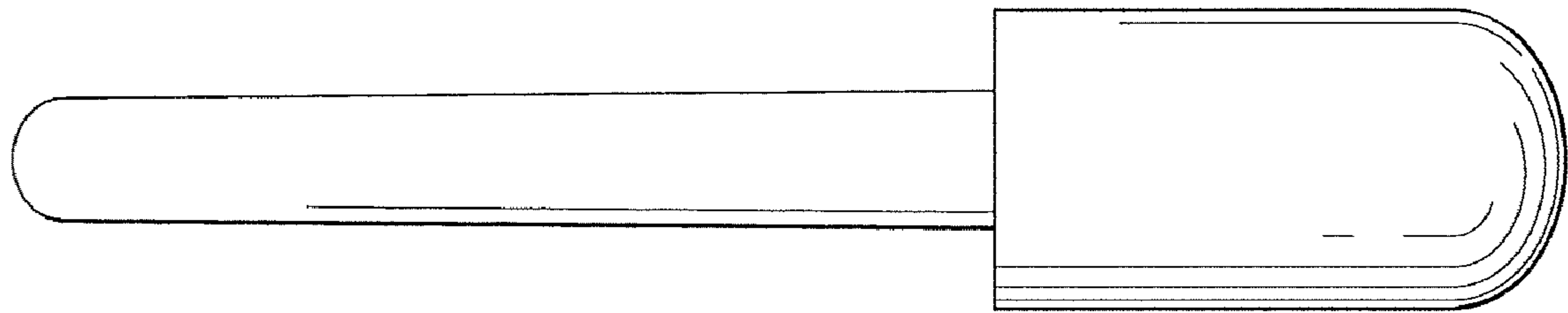


FIG. 4

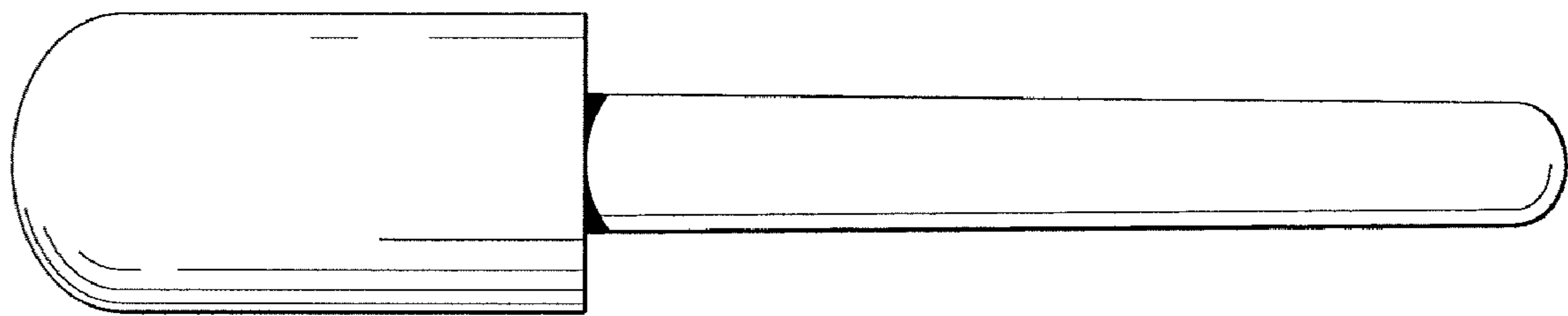


FIG. 5

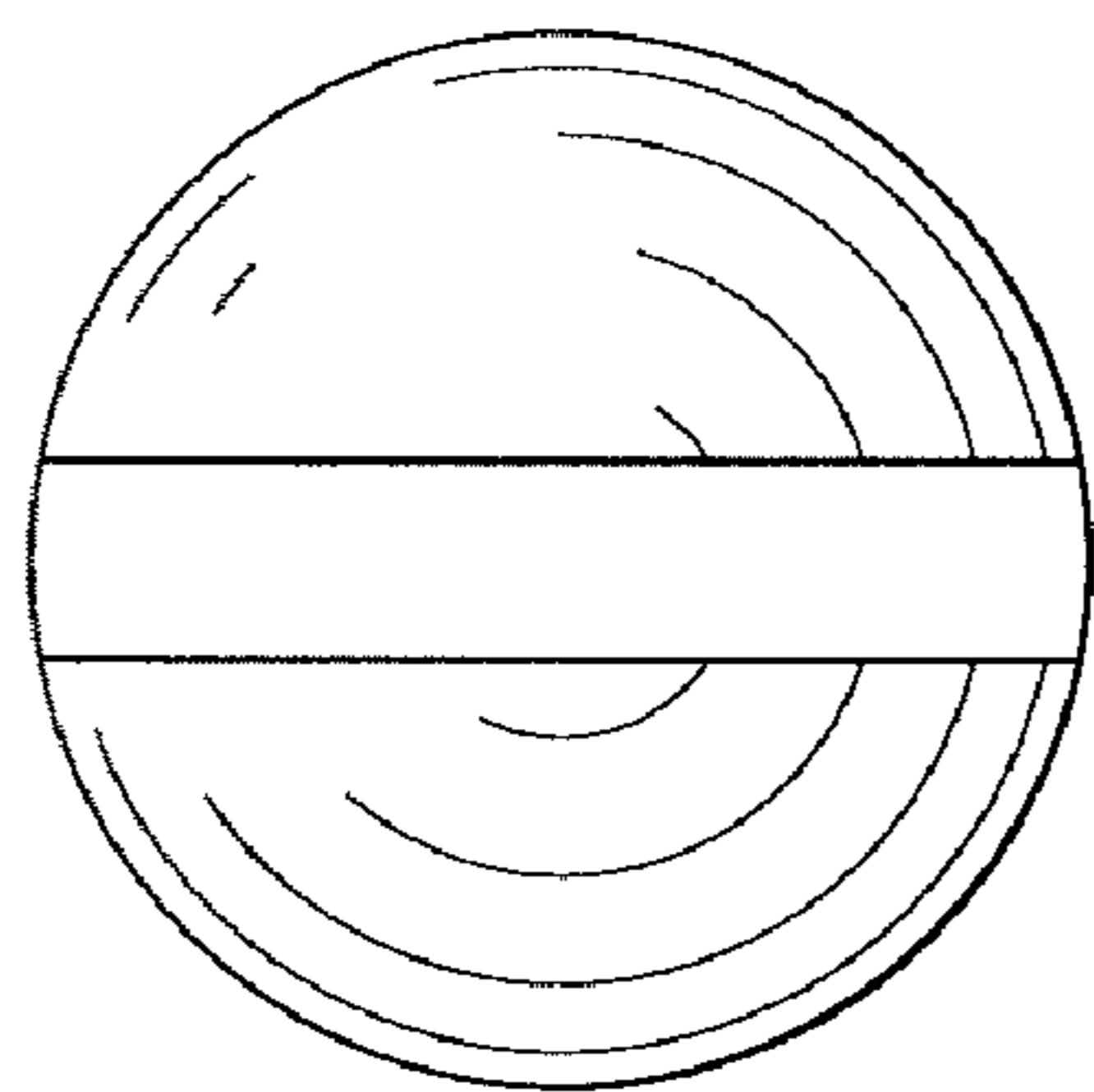


FIG. 6

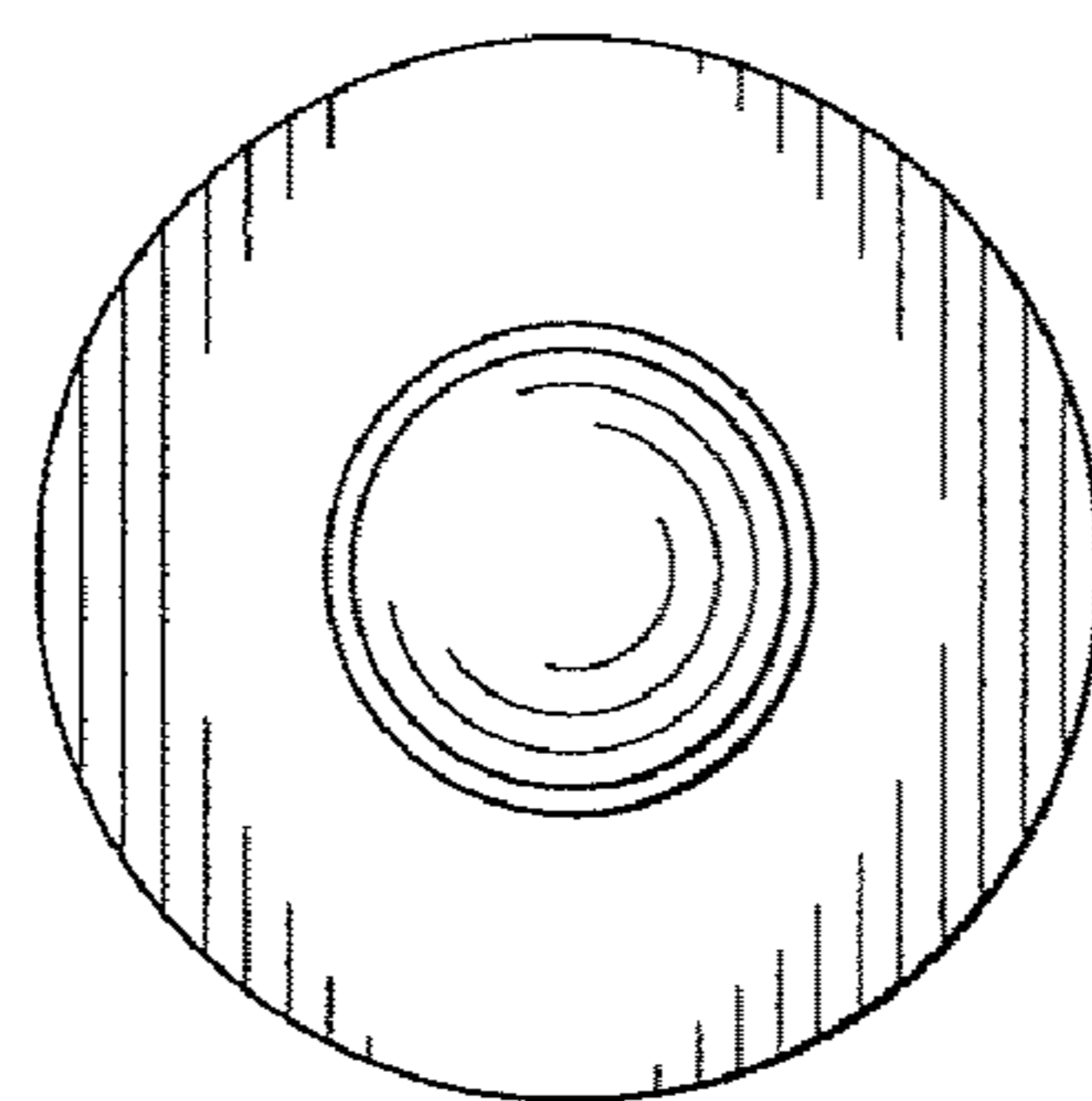


FIG. 7

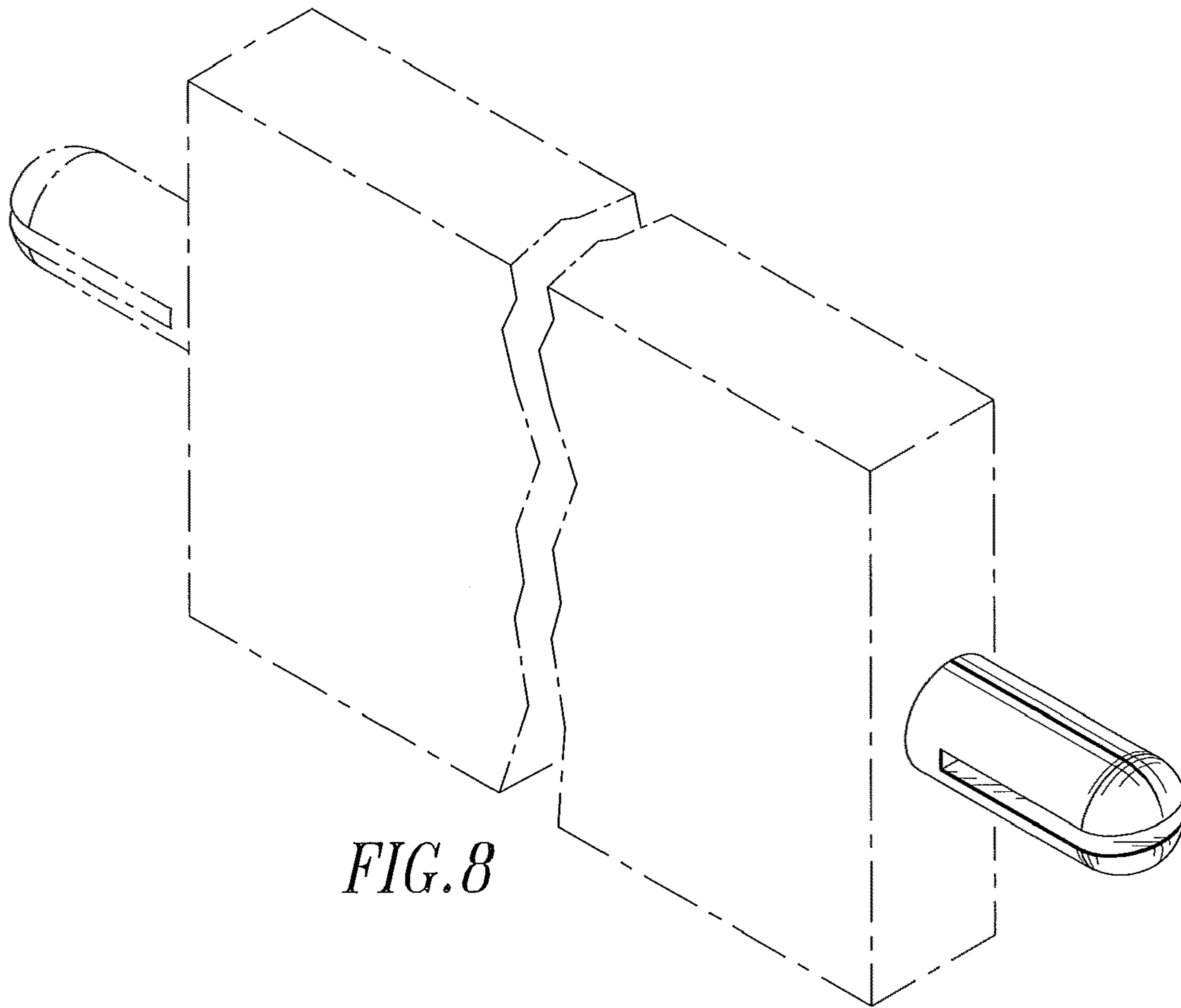


FIG. 8

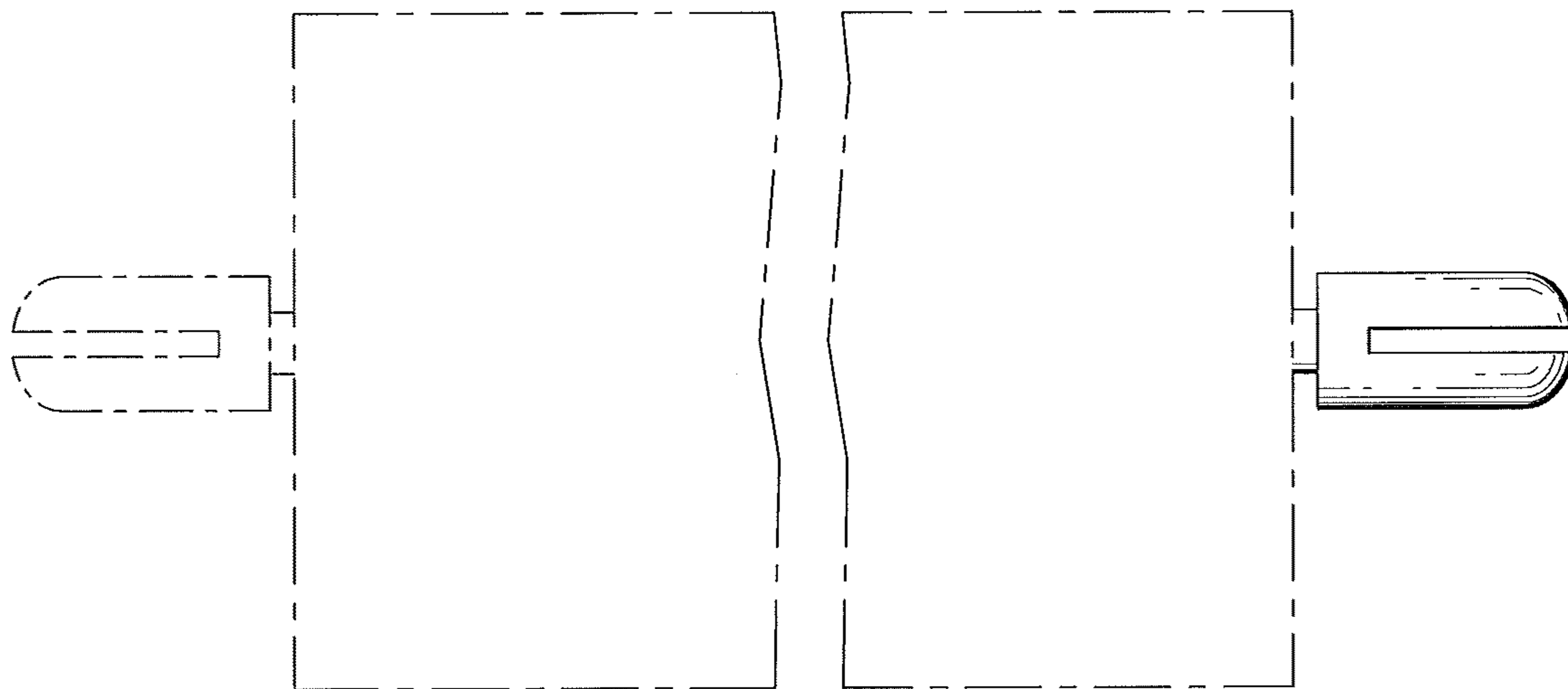


FIG. 9

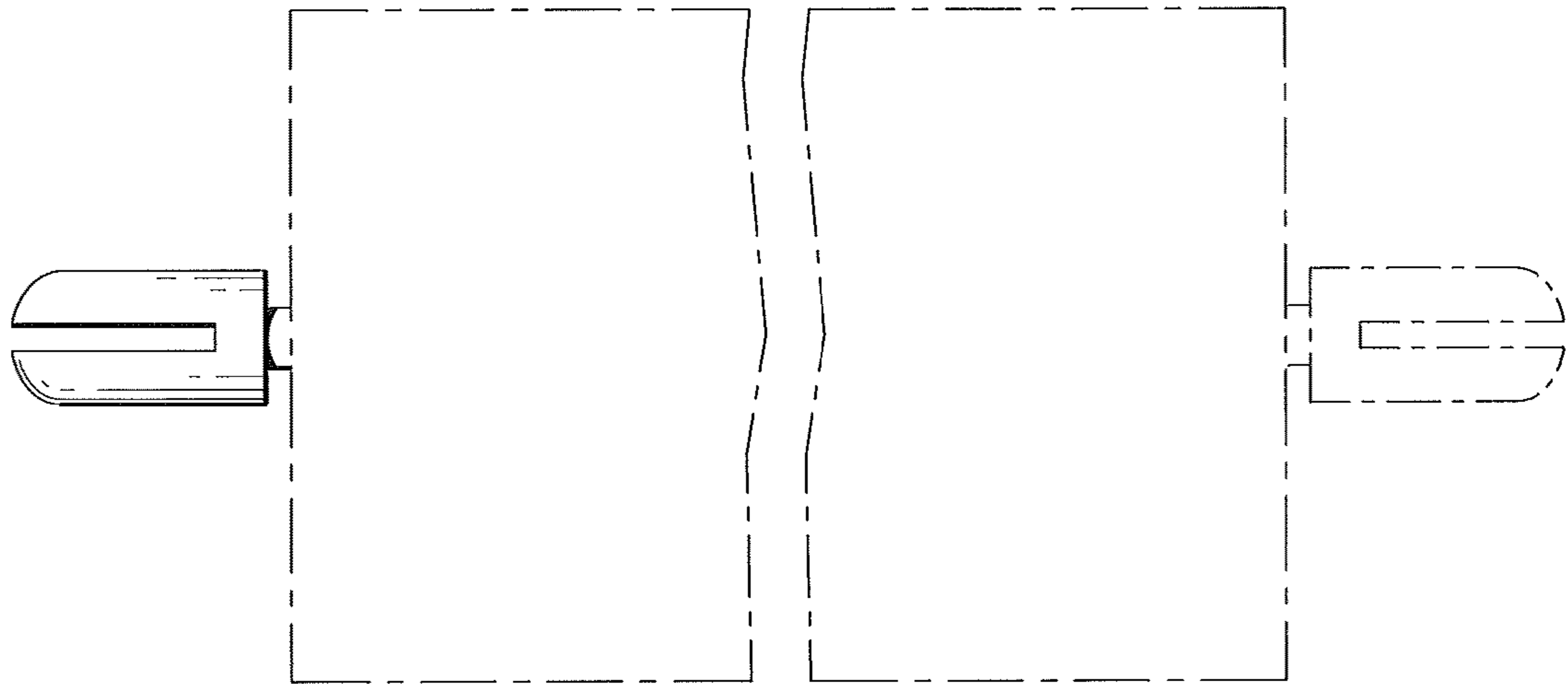


FIG. 10

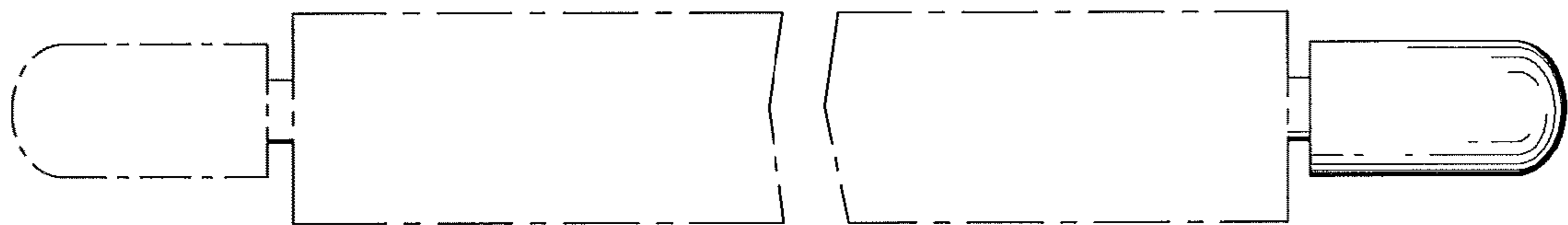


FIG. 11

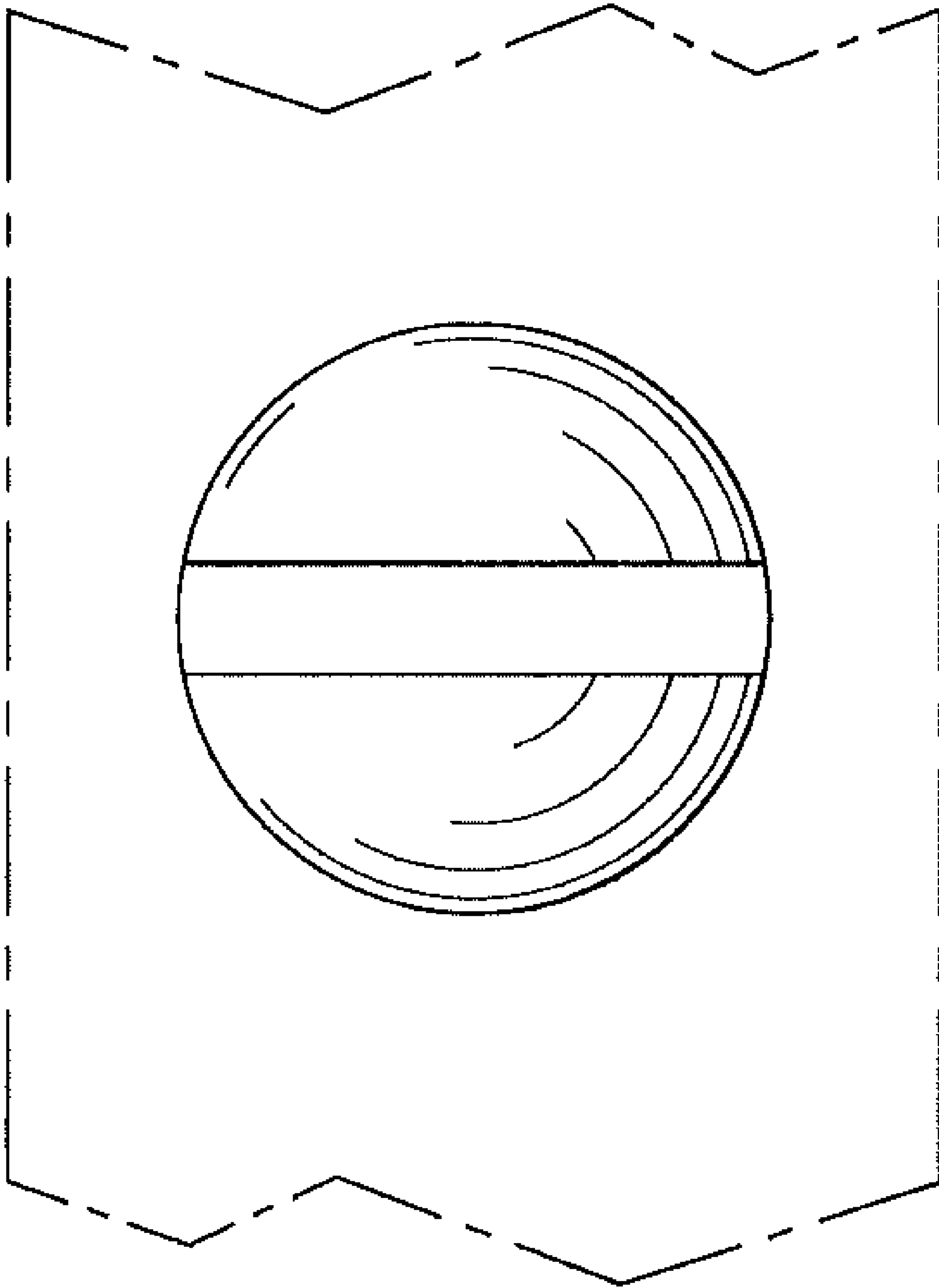


FIG. 12