



US00D641614S

(12) **United States Design Patent**
Pontaoe

(10) **Patent No.:** **US D641,614 S**
(45) **Date of Patent:** **** Jul. 19, 2011**

(54) **HOLDING CLIP DEVICE**

(75) Inventor: **John S. Pontaoe**, Chicago, IL (US)

(73) Assignee: **Illinois Tool Works Inc.**, Glenview, IL (US)

(**) Term: **14 Years**

(21) Appl. No.: **29/362,701**

(22) Filed: **May 28, 2010**

Related U.S. Application Data

(63) Continuation of application No. 29/322,736, filed on Aug. 11, 2008.

(51) **LOC (9) Cl.** **08-08**

(52) **U.S. Cl.** **D8/394**; D8/395; D8/396

(58) **Field of Classification Search** D8/356,
D8/371, 394-396; 24/570; 248/74.2, 215,
248/227.1, 49, 300, 301, 316.7, 51, 489;
D19/65, 56

See application file for complete search history.

(56) **References Cited**

U.S. PATENT DOCUMENTS

1,886,882 A * 11/1932 Huber 24/698.1
D455,337 S * 4/2002 Maruoka D8/383

D464,994 S * 10/2002 Rosen D19/65
D537,327 S * 2/2007 Tracy et al. D8/394
D572,128 S * 7/2008 Poulsen et al. D8/395
D593,411 S * 6/2009 Bizzell D9/434

* cited by examiner

Primary Examiner — Celia Murphy

Assistant Examiner — John Windmuller

(74) *Attorney, Agent, or Firm* — Mark W. Croll; Paul F. Donovan

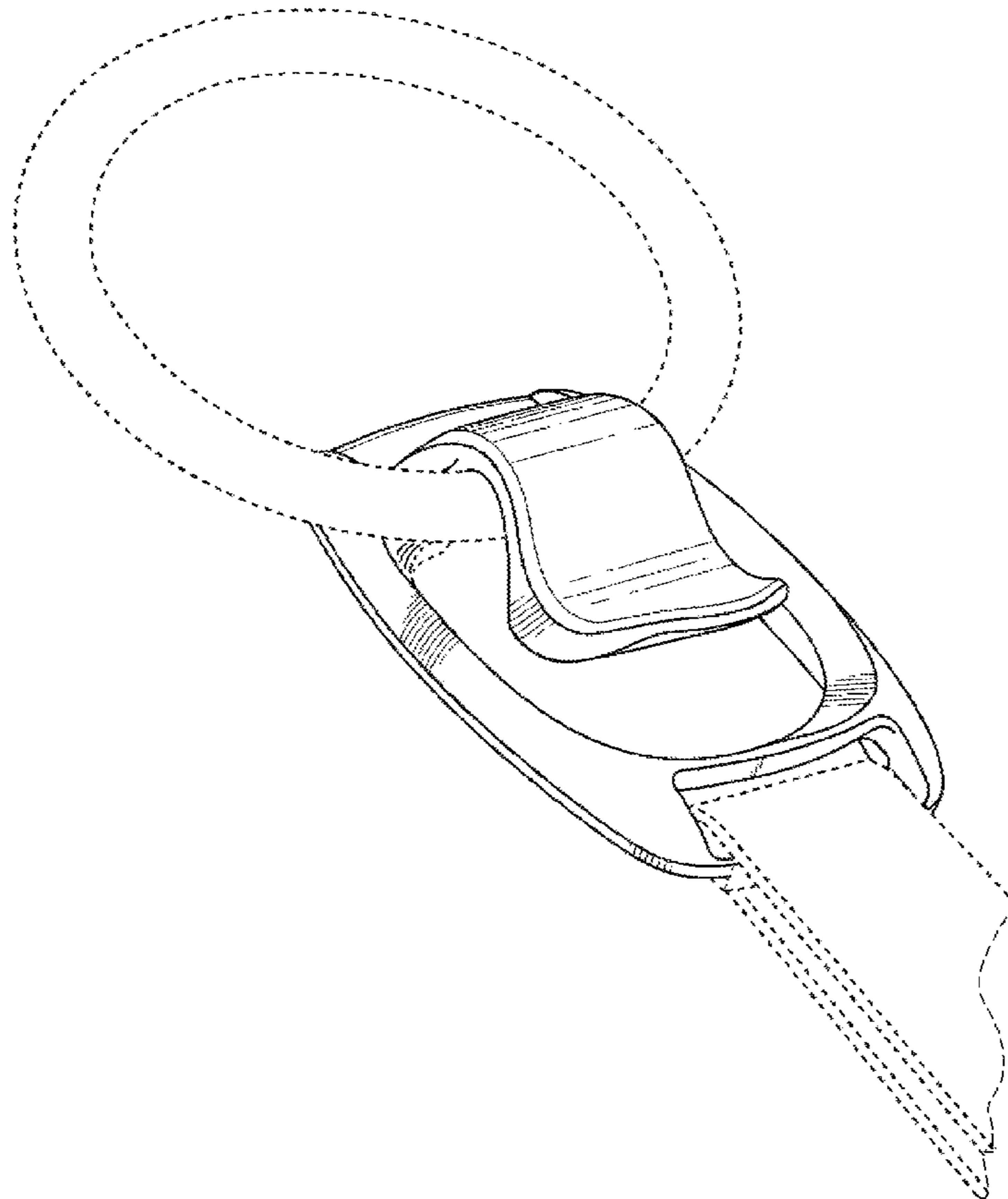
(57) **CLAIM**

The ornamental design for a holding clip device, as shown and described.

DESCRIPTION

FIG. 1 is a perspective view of a holding clip device showing the new design;
FIG. 2 is a top plan view thereof;
FIG. 3 is a bottom plan view thereof;
FIG. 4 is a right side elevational thereof;
FIG. 5 is a left side elevational view thereof;
FIG. 6 is an elevational view of one end thereof; and,
FIG. 7 is an elevational view of the opposite end thereof.
The broken line portions of the disclosure are for illustrative purposes only and form no part of the claimed design.

1 Claim, 5 Drawing Sheets



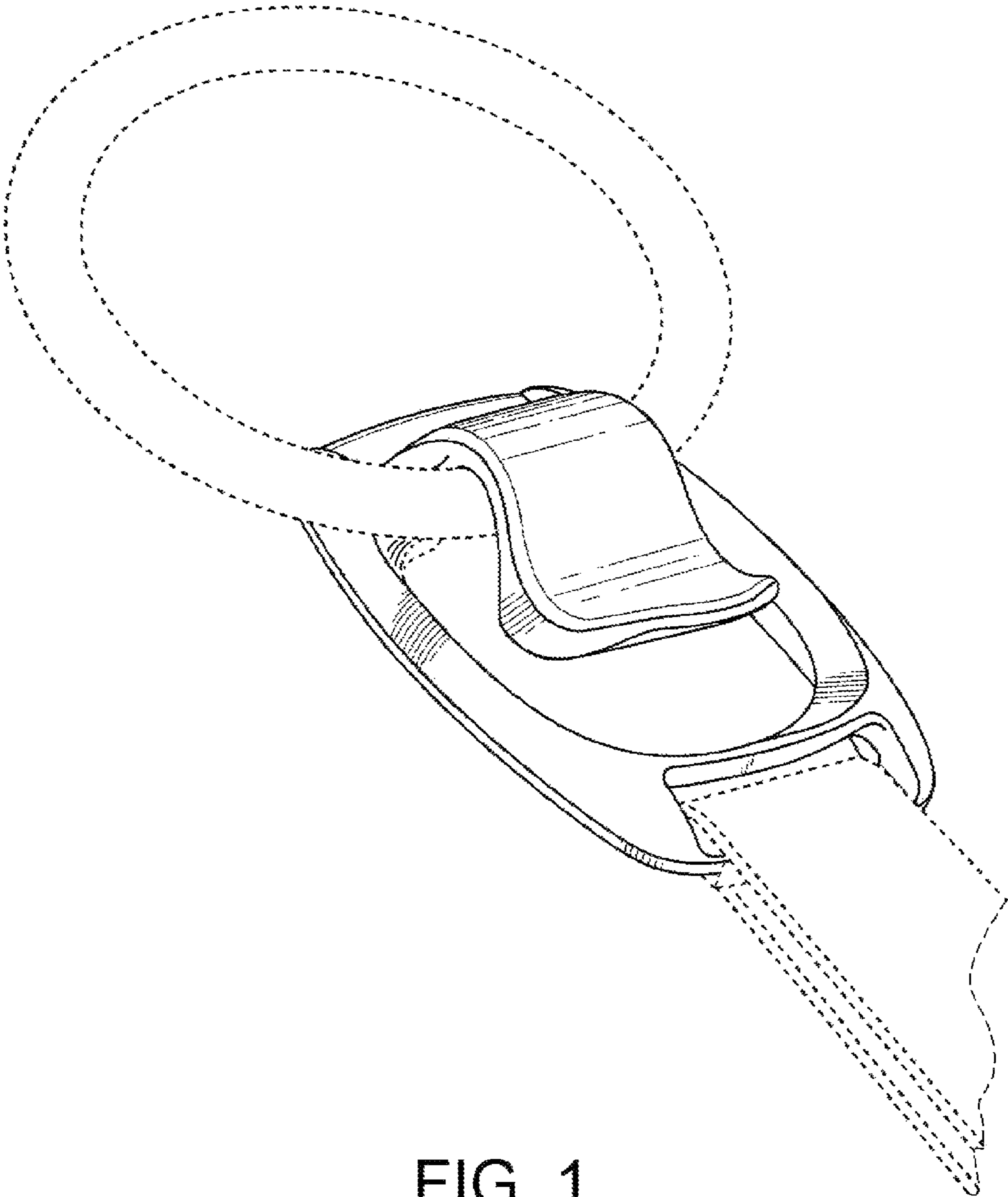


FIG. 1

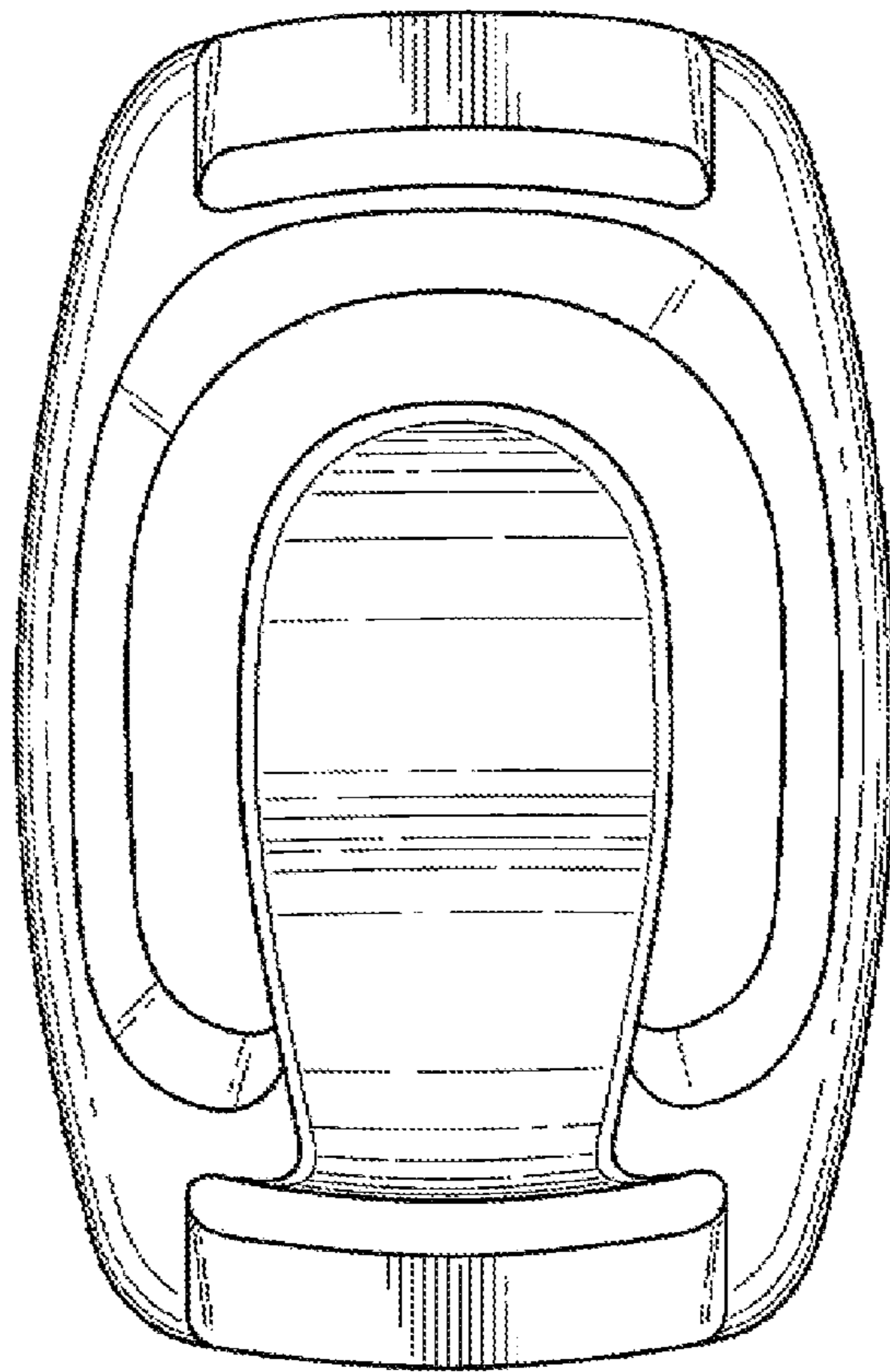


FIG. 2

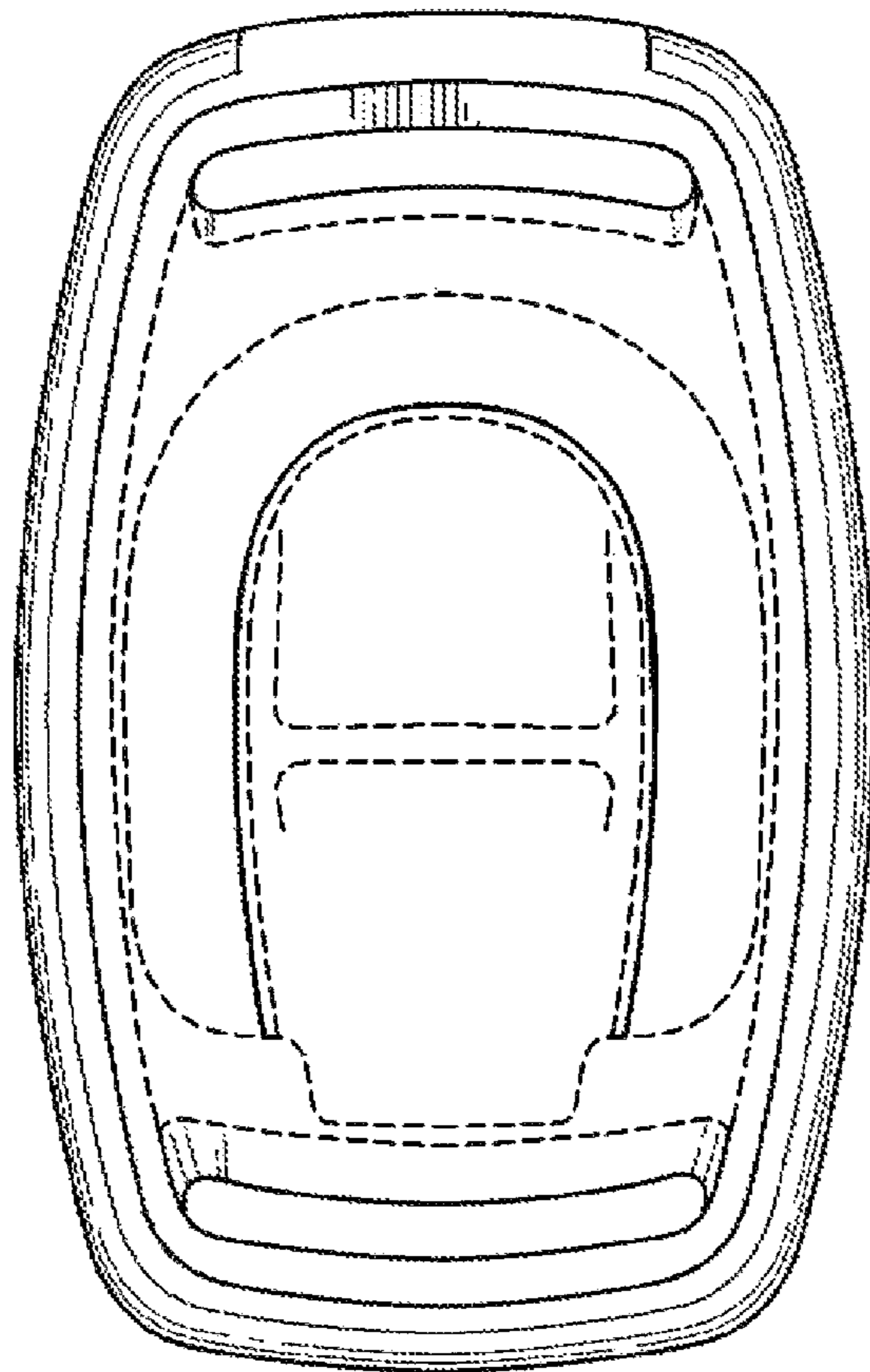


FIG. 3

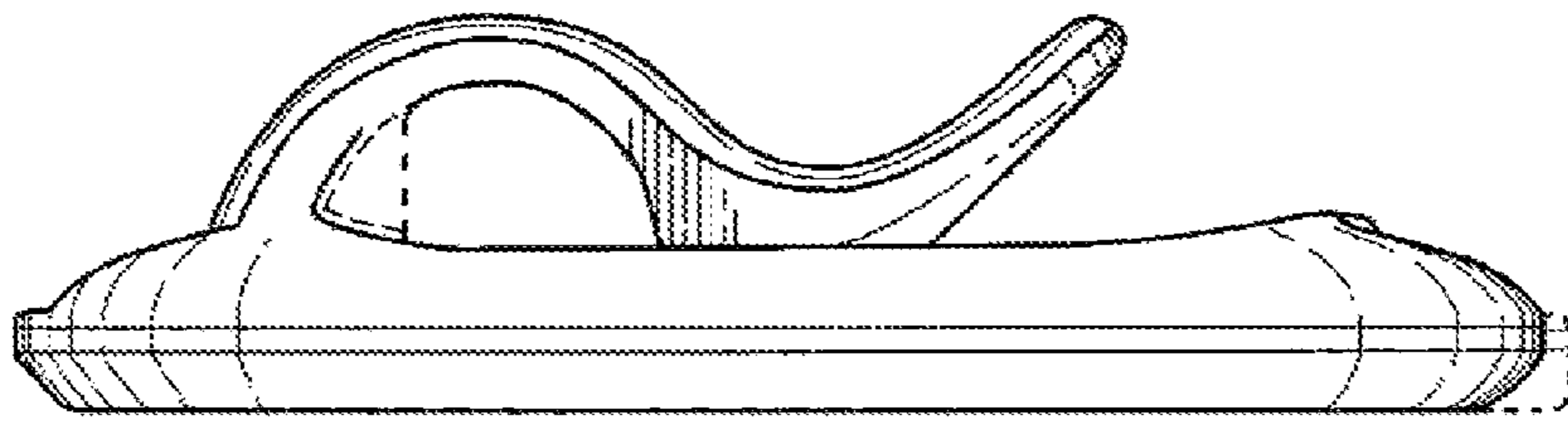


FIG. 4

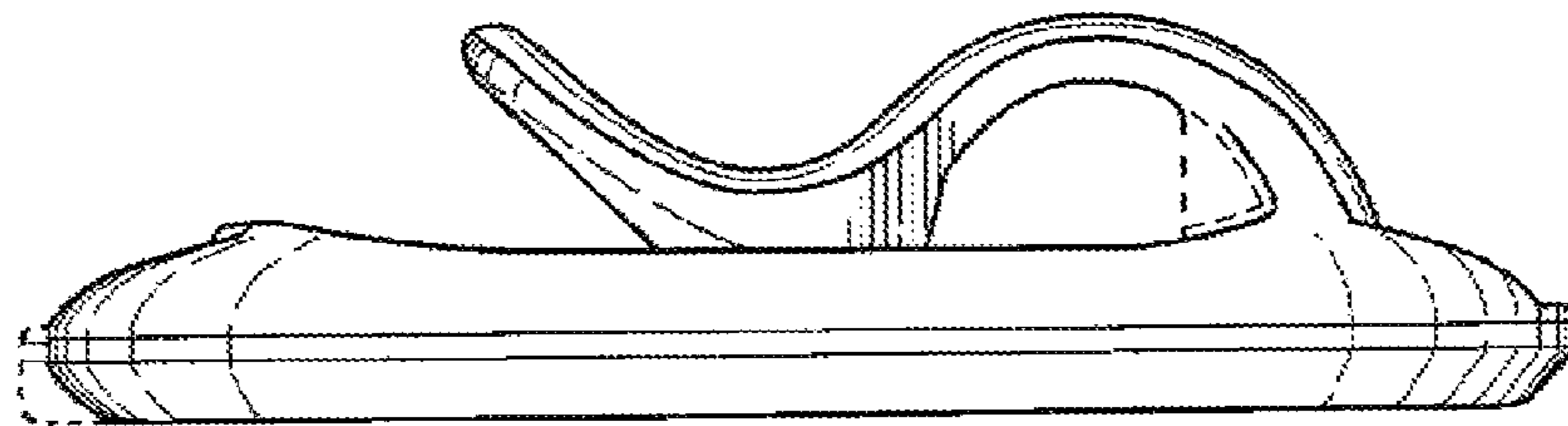


FIG. 5

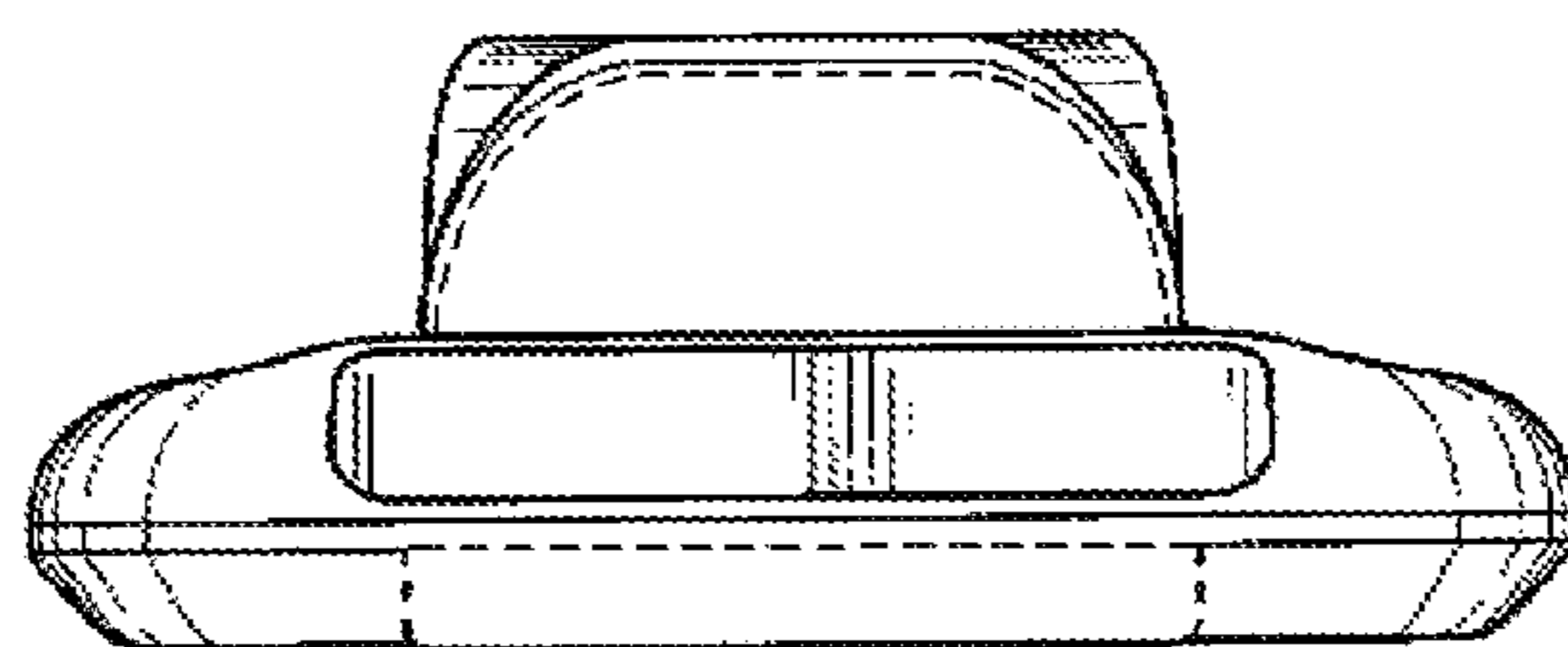


FIG. 6

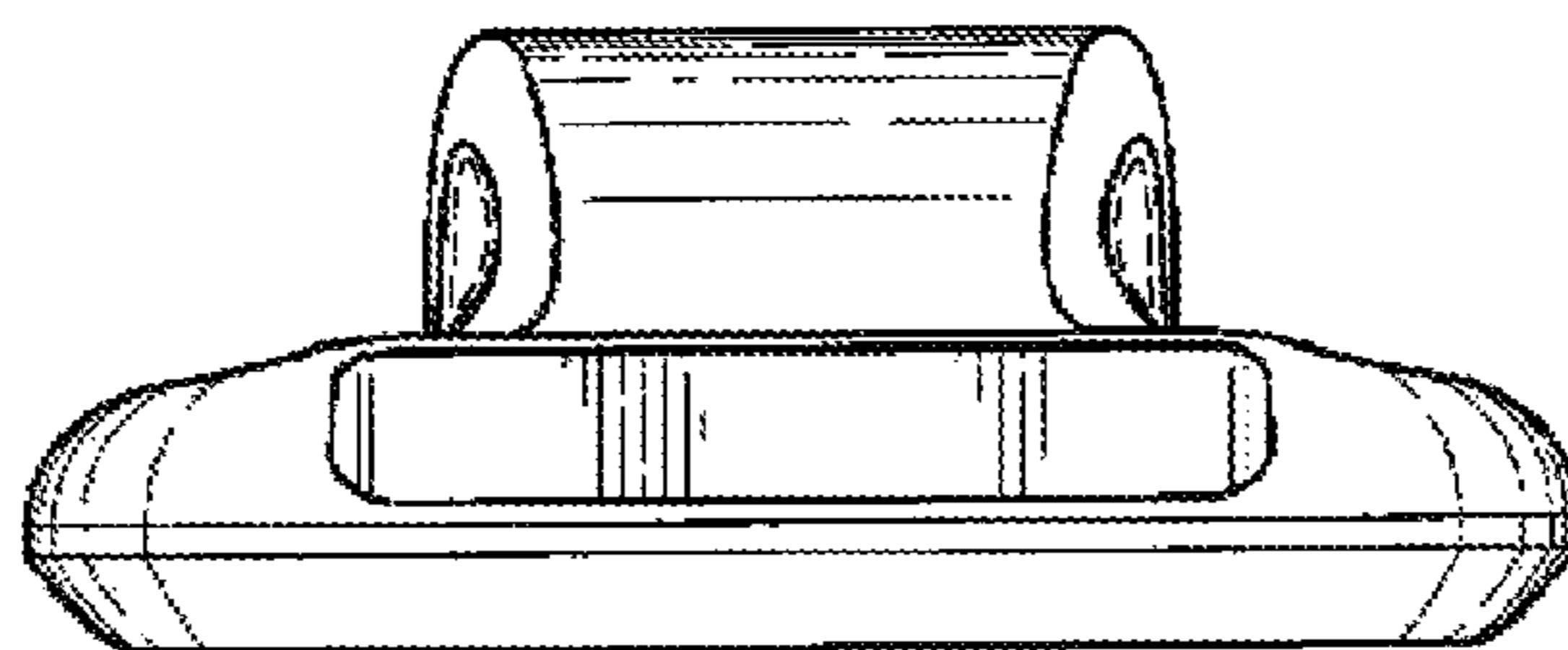


FIG. 7