



US00D641613S

(12) **United States Design Patent**
Isberner

(10) **Patent No.:** **US D641,613 S**

(45) **Date of Patent:** **** Jul. 19, 2011**

(54) **DOUBLE-D DIVE GEAR BRACKET**

(76) Inventor: **Scott W. Isberner**, Jupiter, FL (US)

(**) Term: **14 Years**

(21) Appl. No.: **29/357,872**

(22) Filed: **Mar. 18, 2010**

(51) **LOC (9) Cl.** **08-08**

(52) **U.S. Cl.** **D8/383**; D11/218

(58) **Field of Classification Search** D8/383;
D11/210, 200, 215–218; 24/163 R, 169–171,
24/197, 633, 641

See application file for complete search history.

(56) **References Cited**

U.S. PATENT DOCUMENTS

1,697,833	A *	1/1929	Lane	24/197
2,119,469	A *	5/1938	Kerngood	24/200
3,102,316	A *	9/1963	Cadley	24/650
D357,435	S *	4/1995	Cook	D11/218
6,298,528	B1 *	10/2001	Workman	24/700
D489,600	S *	5/2004	Pontaoe	D8/367
D519,410	S *	4/2006	Luk	D11/218
D557,007	S *	12/2007	Della Valle	D2/976
D625,654	S *	10/2010	Spater	D11/210

D626,450 S * 11/2010 Wong D11/218
2008/0277914 A1 * 11/2008 Carine et al. 280/801.1

* cited by examiner

Primary Examiner — Cynthia M. Chin

Assistant Examiner — Sheryl Lane

(74) *Attorney, Agent, or Firm* — McHale & Slavin, P.A.

(57) **CLAIM**

The ornamental design for a double-D dive gear bracket, as shown and described.

DESCRIPTION

FIG. 1 is a perspective view of the double-D dive gear bracket of the instant invention;

FIG. 2 is a top view thereof;

FIG. 3 is a bottom view thereof;

FIG. 4 is a left side view thereof;

FIG. 5 is a right side view thereof;

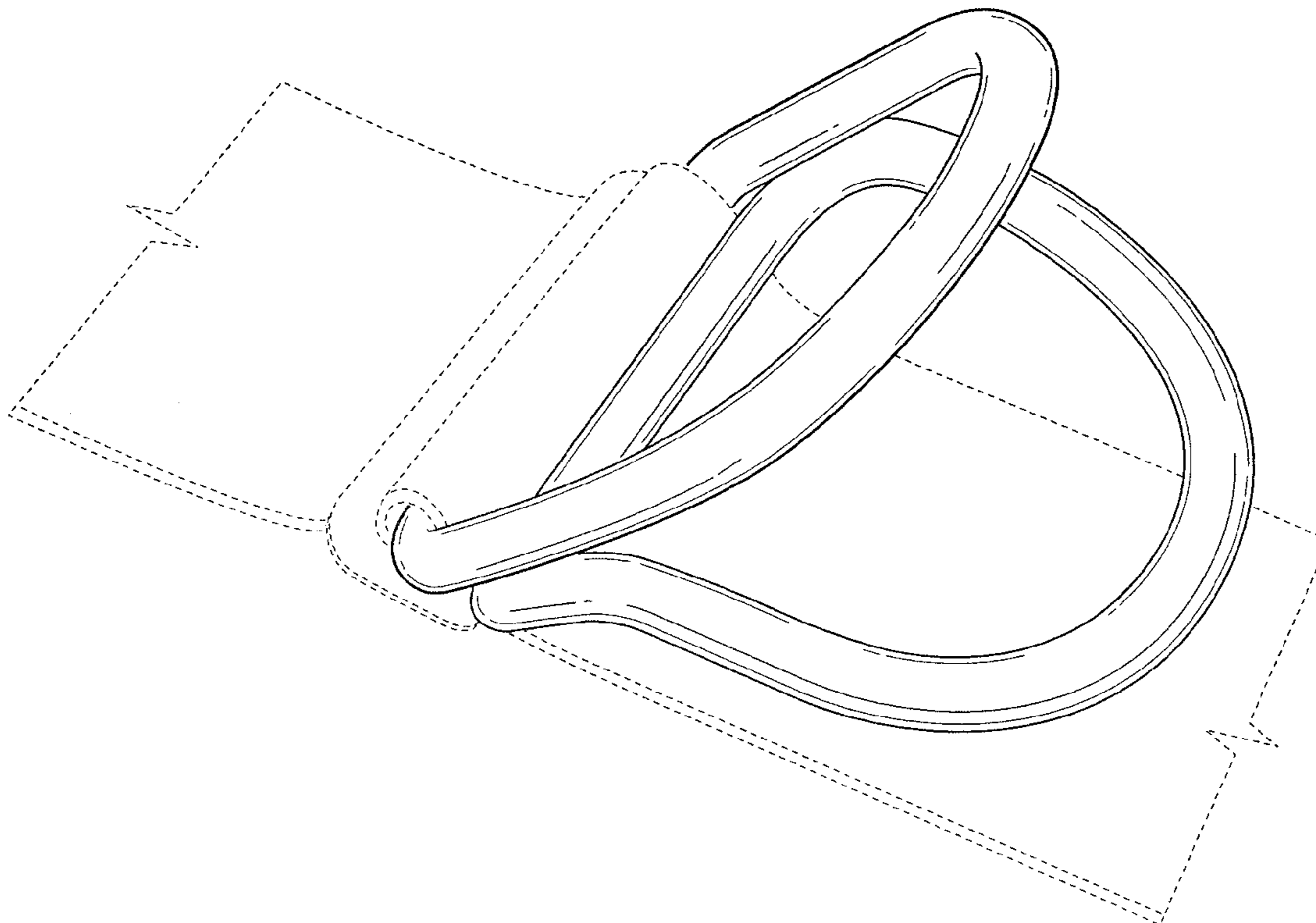
FIG. 6 is a rear view thereof; and

FIG. 7 is a front view thereof; and,

FIG. 8 is an environmental view of the double-D dive gear bracket illustrated in combination with a strap member.

The portions of the figures illustrated in broken lines are for illustrative purposes only and form no part of the claimed design.

1 Claim, 6 Drawing Sheets



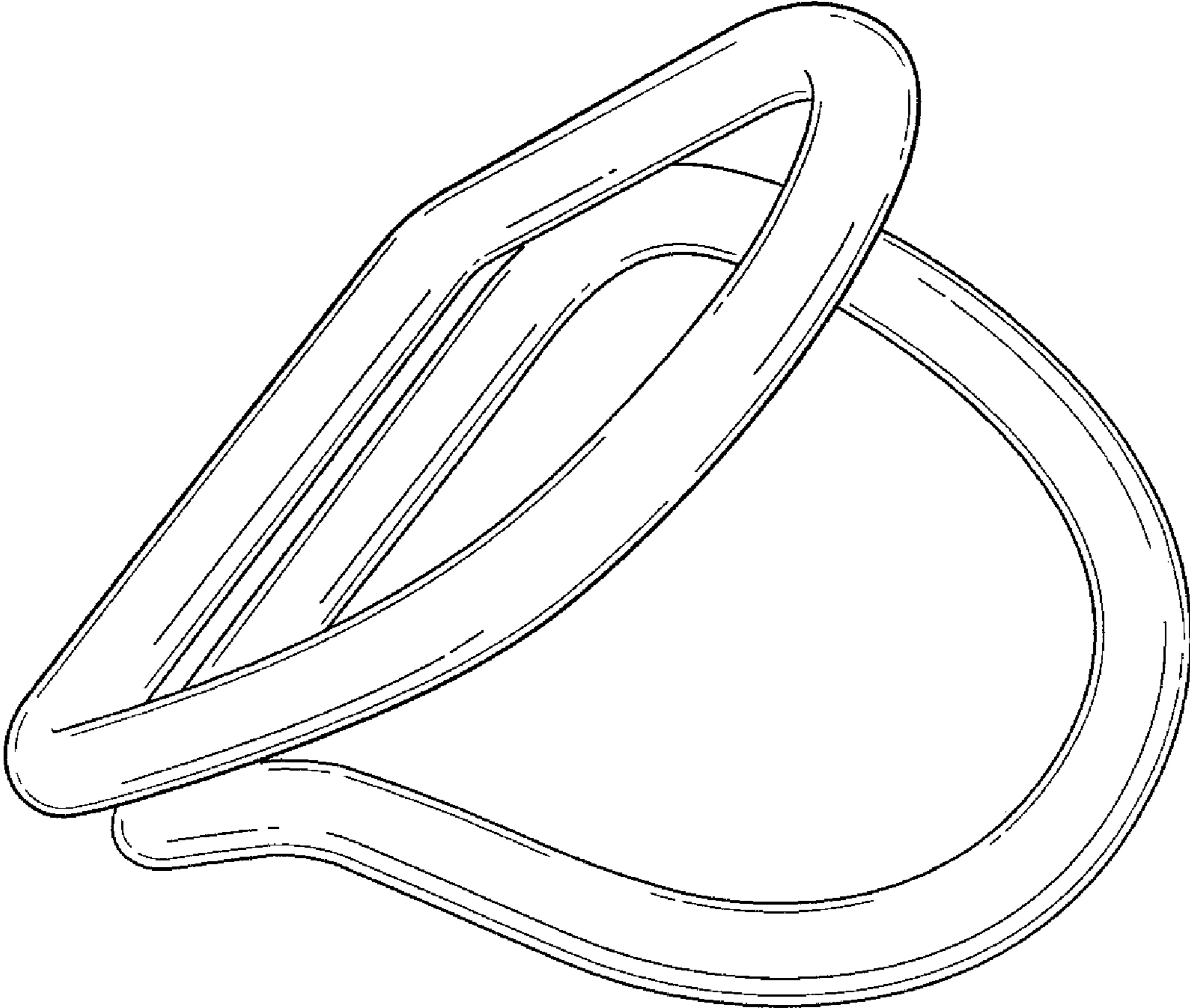


FIG. 1

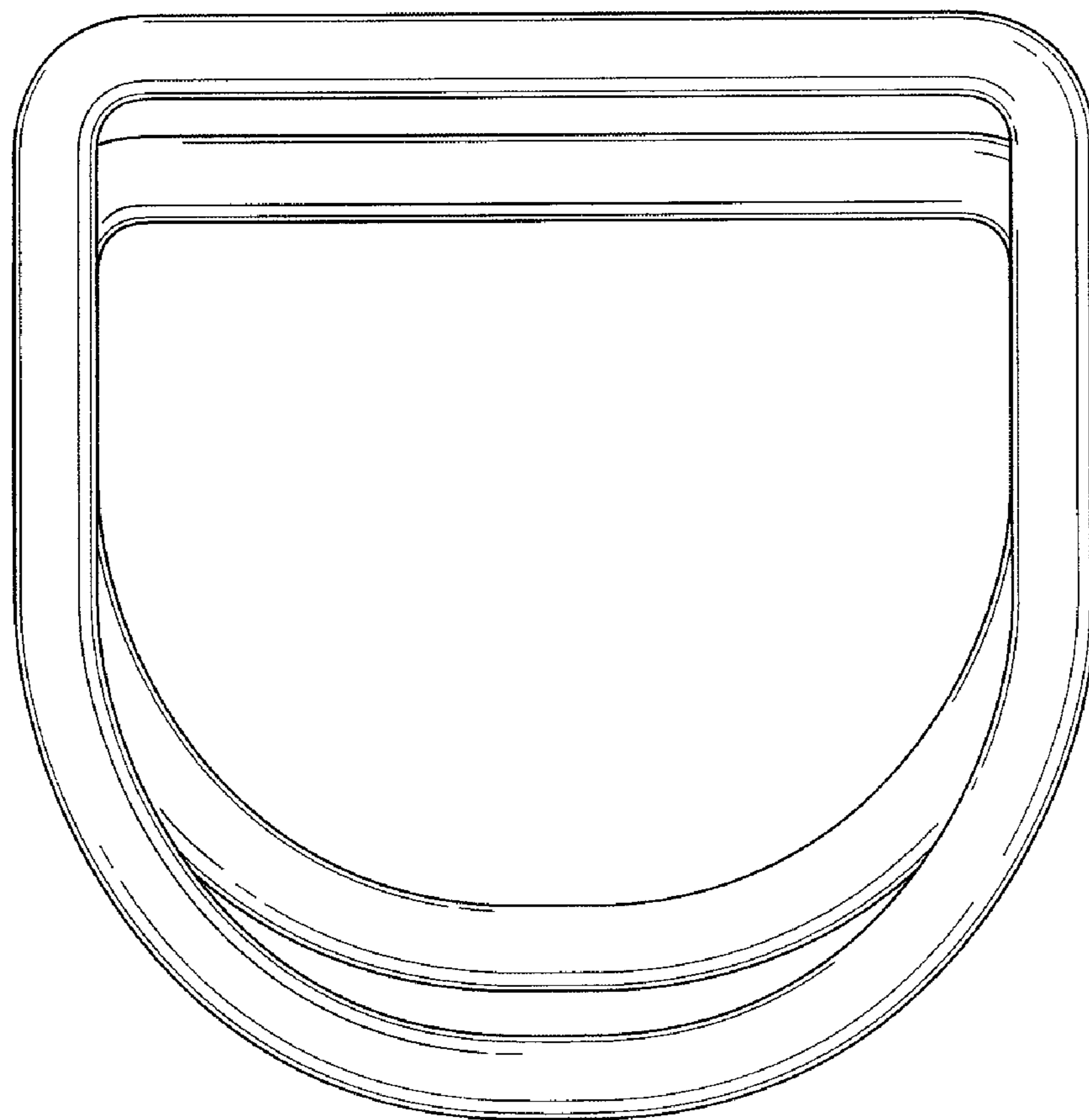


FIG. 2

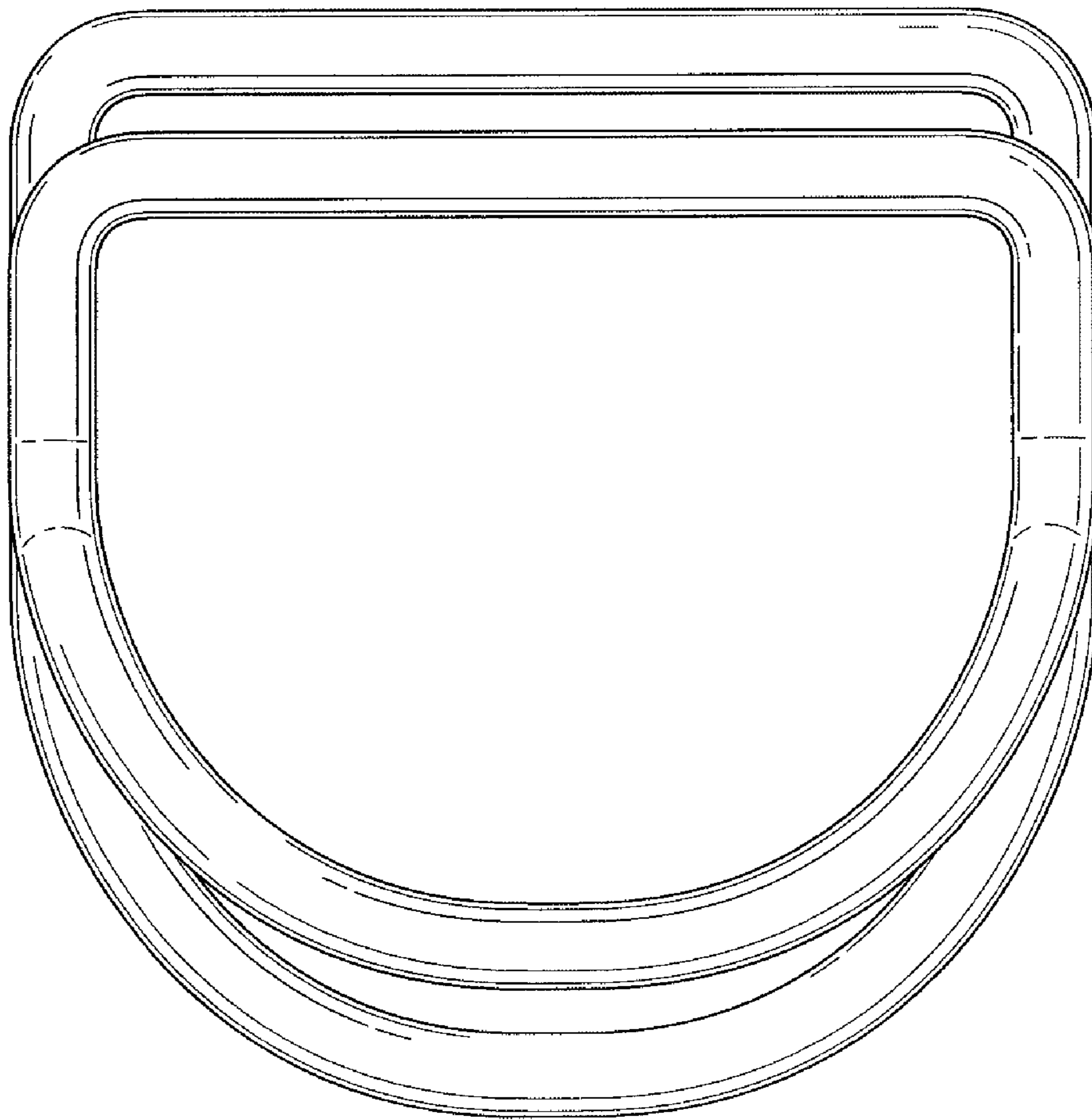


FIG. 3

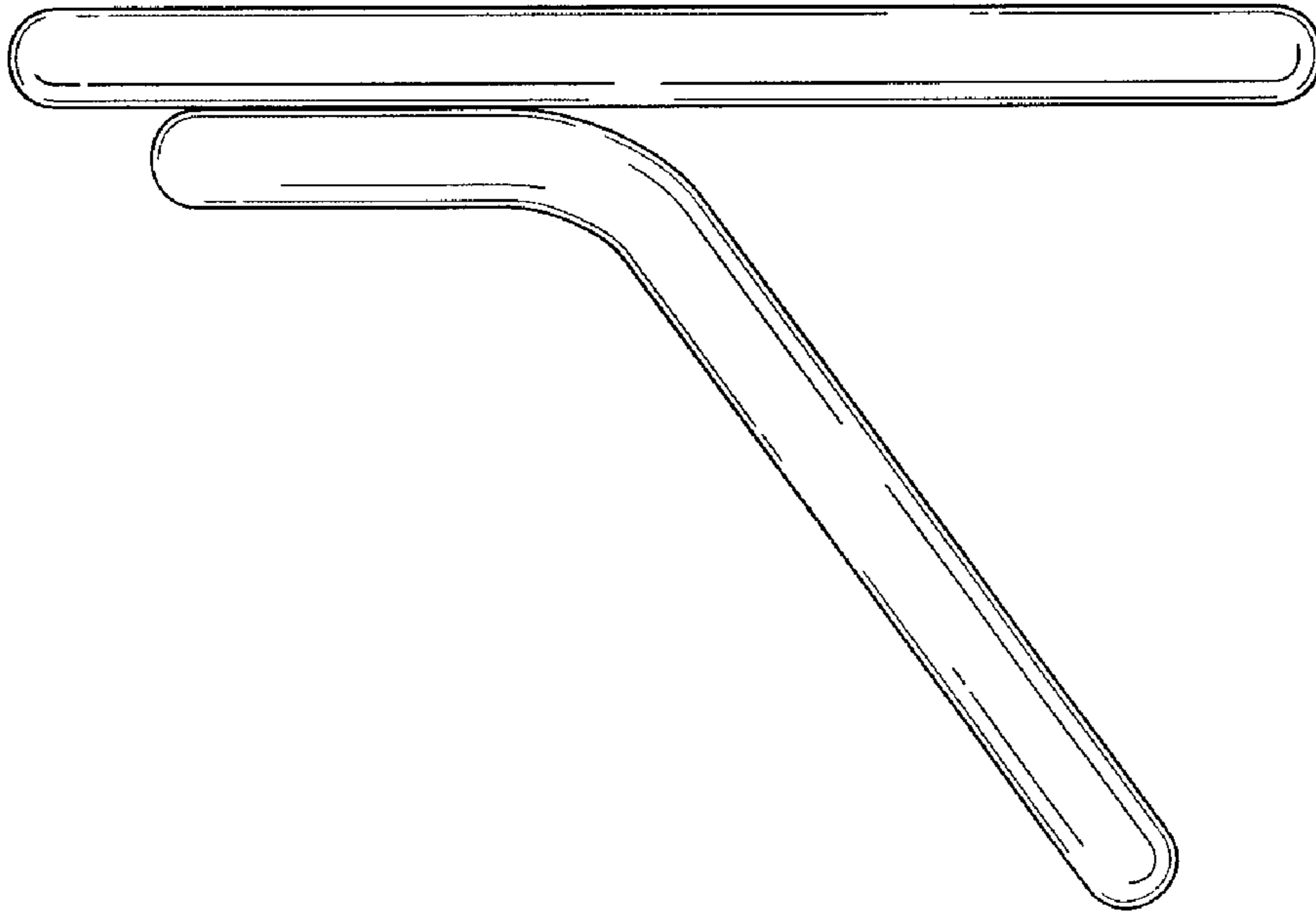


FIG. 4

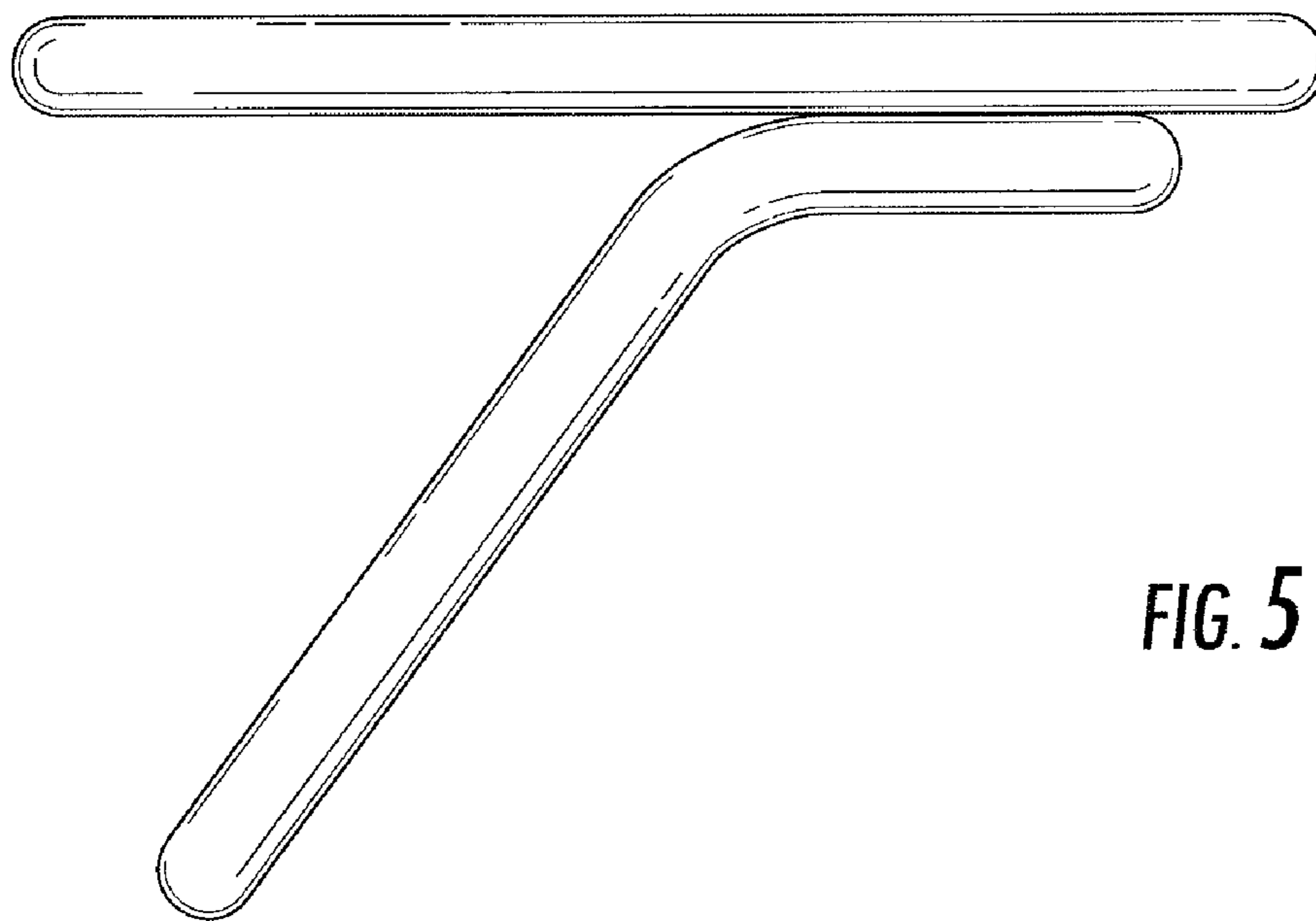


FIG. 5

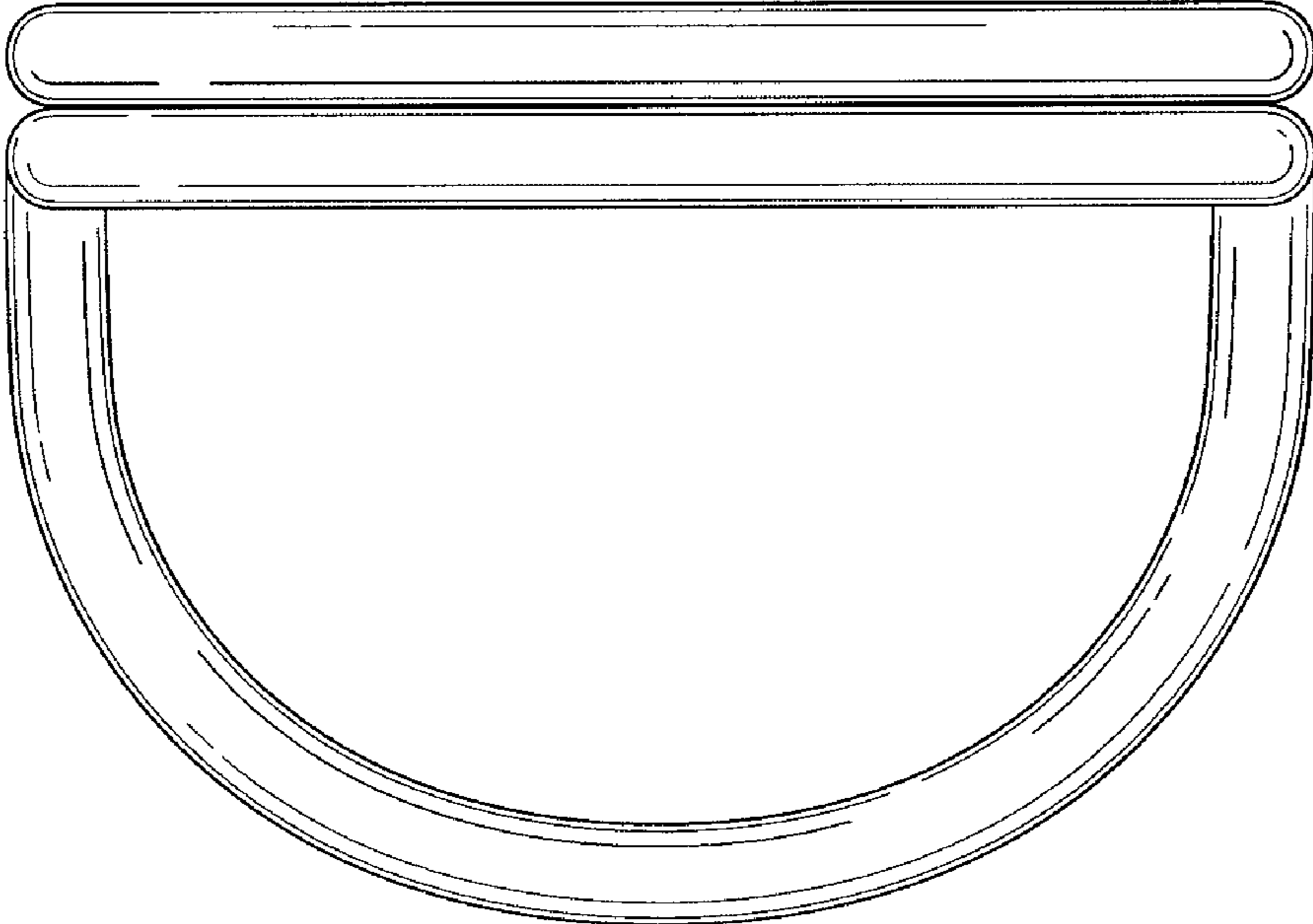


FIG. 6

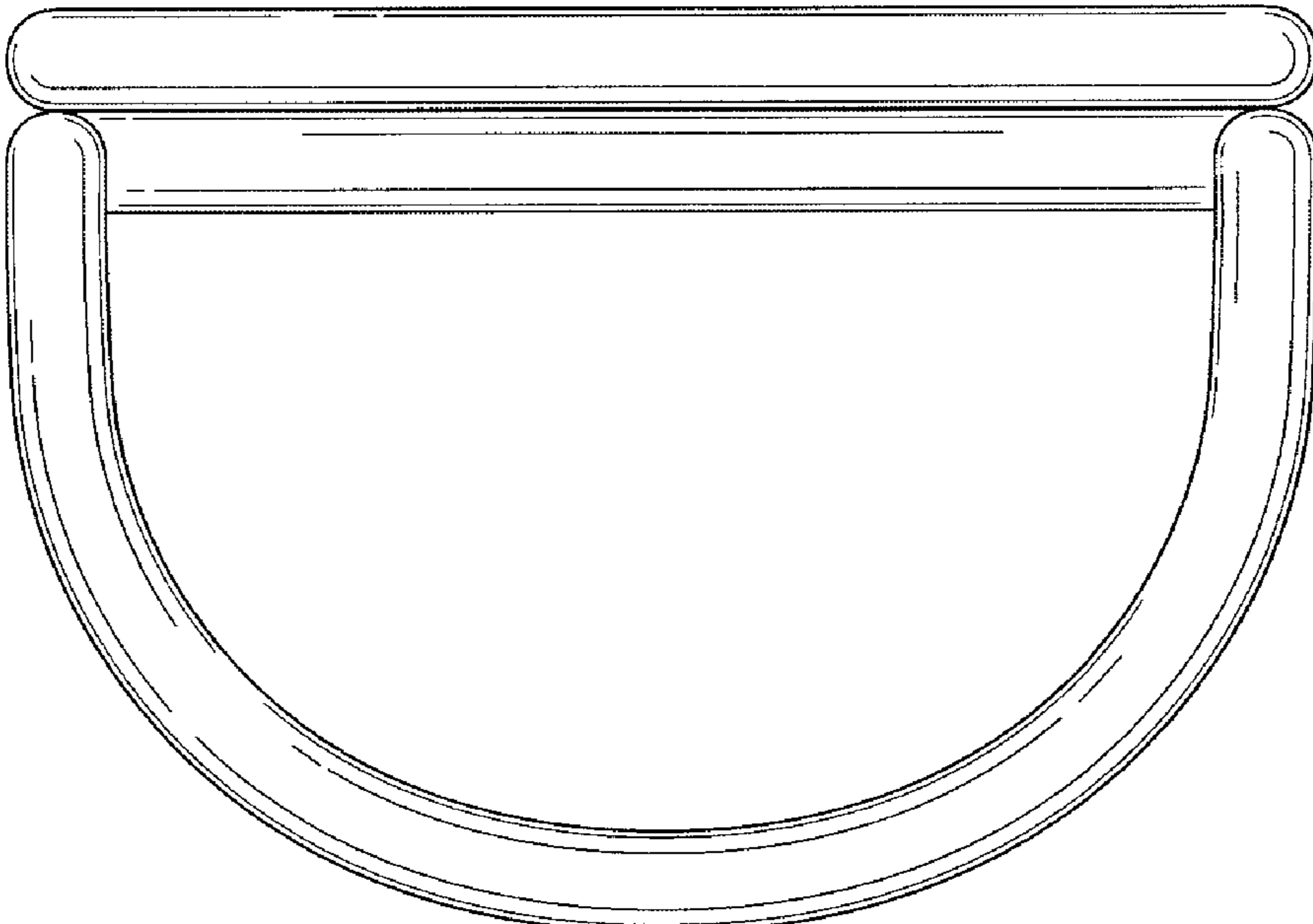


FIG. 7

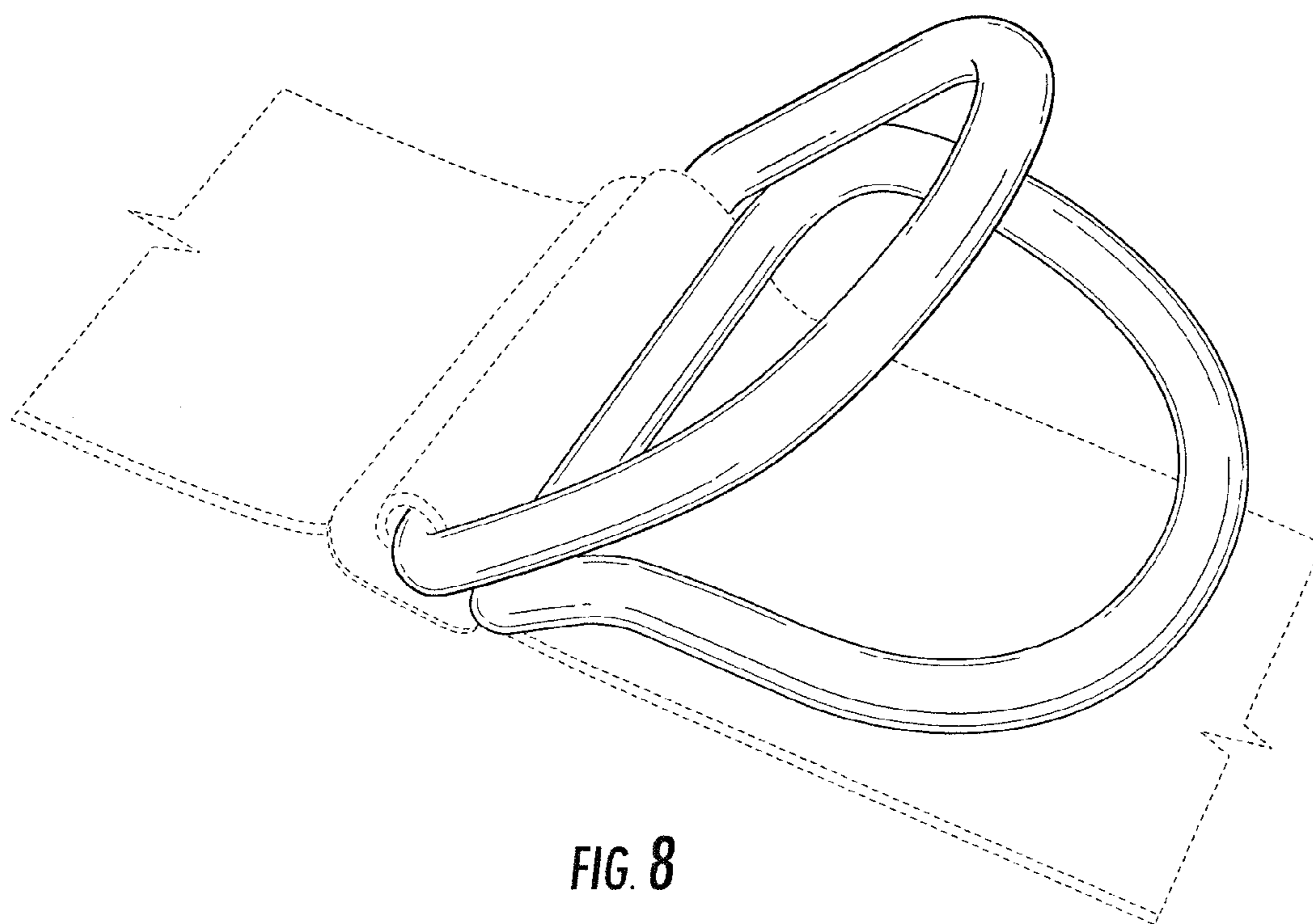


FIG. 8