



US00D641611S

(12) **United States Design Patent**
Minayoshi

(10) **Patent No.:** **US D641,611 S**
(45) **Date of Patent:** **** Jul. 19, 2011**

(54) **JIG FOR POSITIONING RODS**
(75) Inventor: **Hiroyasu Minayoshi**, Kawasaki (JP)
(73) Assignee: **NTT Infrastructure Network Corporation**, Tokyo (JP)
(**) Term: **14 Years**
(21) Appl. No.: **29/377,847**

D478,269 S * 8/2003 Snyder D8/354
D489,960 S * 5/2004 Grendahl D8/354
7,017,867 B2 * 3/2006 Sono 248/74.1
D521,330 S * 5/2006 Thomas D8/14
D528,930 S * 9/2006 Degen D10/65
D559,080 S * 1/2008 Boote D8/354
D571,192 S * 6/2008 Stomp et al. D8/356
D597,403 S * 8/2009 Ho et al. D8/396
D601,879 S * 10/2009 Kim et al. D8/356
D635,001 S * 3/2011 Adkins D8/71

* cited by examiner

(22) Filed: **Oct. 27, 2010**
(30) **Foreign Application Priority Data**
Apr. 30, 2010 (JP) D2010-010902
(51) **LOC (9) Cl.** **08-05**
(52) **U.S. Cl.** **D8/354**
(58) **Field of Classification Search** D8/354,
D8/373, 380, 356, 71, 499, 349; D15/140;
248/56, 65; 174/153 G
See application file for complete search history.

Primary Examiner — Mark Goodwin
(74) *Attorney, Agent, or Firm* — The Nath Law Group;
Jerald L. Meyer; Derek Richmond

(57) **CLAIM**
The ornamental design for a jig for positioning rods, as shown and described.

(56) **References Cited**
U.S. PATENT DOCUMENTS
3,280,529 A * 10/1966 Reuss 52/689
D223,701 S * 5/1972 Lausch D8/356
D252,253 S * 7/1979 Abney D8/87
D270,048 S * 8/1983 Bytheway D12/124
5,027,478 A * 7/1991 Suhr 24/16 R
D357,854 S * 5/1995 Payne D8/380
D358,545 S * 5/1995 Price D8/356
D362,382 S * 9/1995 Cloud D8/354
D371,957 S * 7/1996 Hinton et al. D8/354
5,542,785 A * 8/1996 Cloud 405/239
D378,094 S * 2/1997 Eberhard D15/140
D380,953 S * 7/1997 Norgaard D8/71
D382,463 S * 8/1997 Cloud D8/354
D450,069 S * 11/2001 Kozu et al. D15/140

DESCRIPTION

FIG. 1 is a perspective view of a jig for positioning rods showing my new design;
FIG. 2 is a front view thereof, a rear view being an identical image of the front view;
FIG. 3 is a left side view thereof, a right side view being an identical image of the left side view;
FIG. 4 is a top plan view thereof;
FIG. 5 is bottom plan view thereof;
FIG. 6 is a sectional view taken along line 6-6 in FIG. 4;
FIG. 7 is a sectional view taken along line 7-7 in FIG. 4; and,
FIG. 8 is a referential perspective view showing the article placed in a hollow pole such as a utility pole (not shown) with the rods for reinforcing the hollow pole.
The broken lines showing on the drawing disclosure are for illustrative purposes only and form no part of the claimed design.

1 Claim, 5 Drawing Sheets

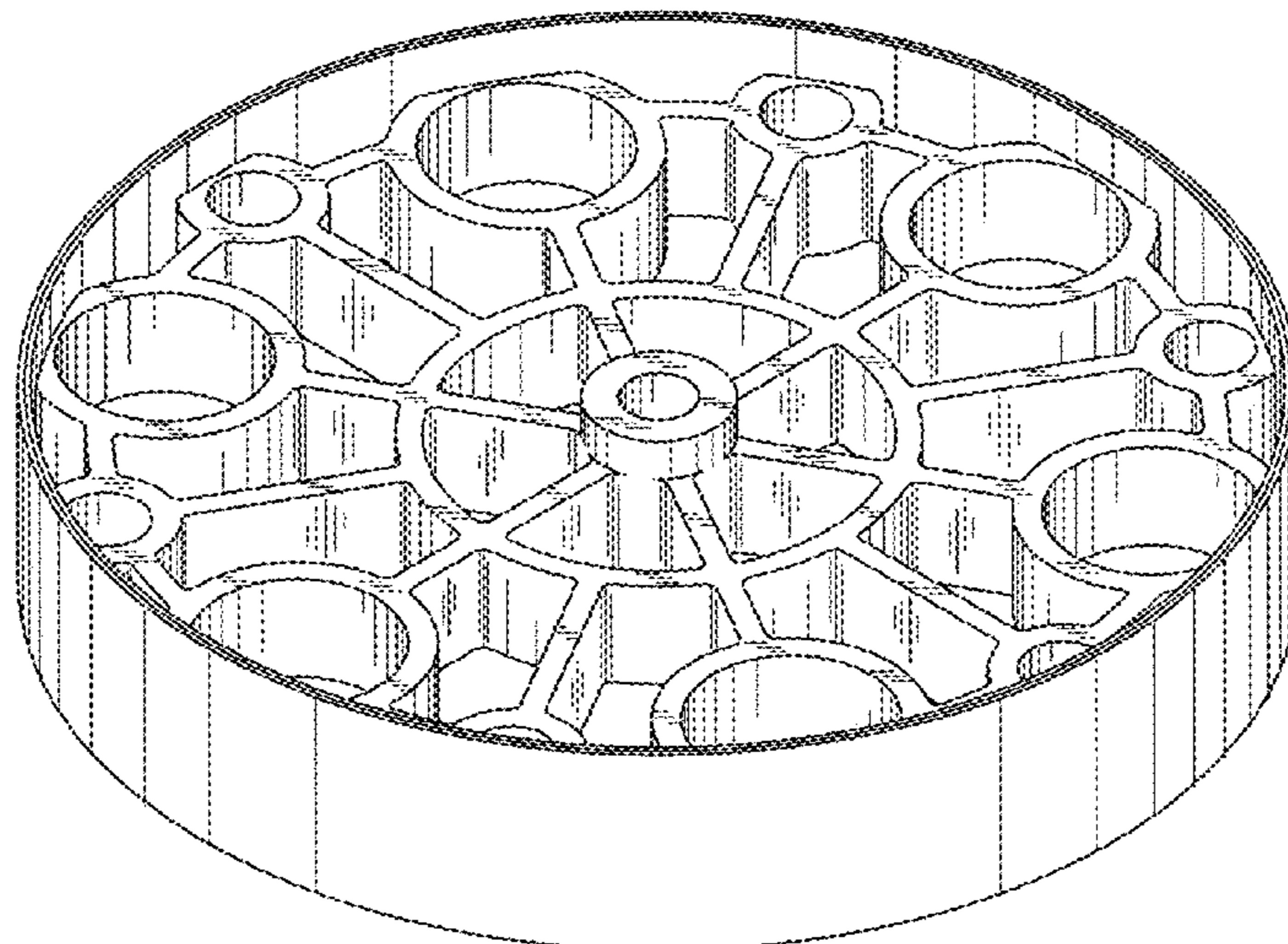


Fig. 1

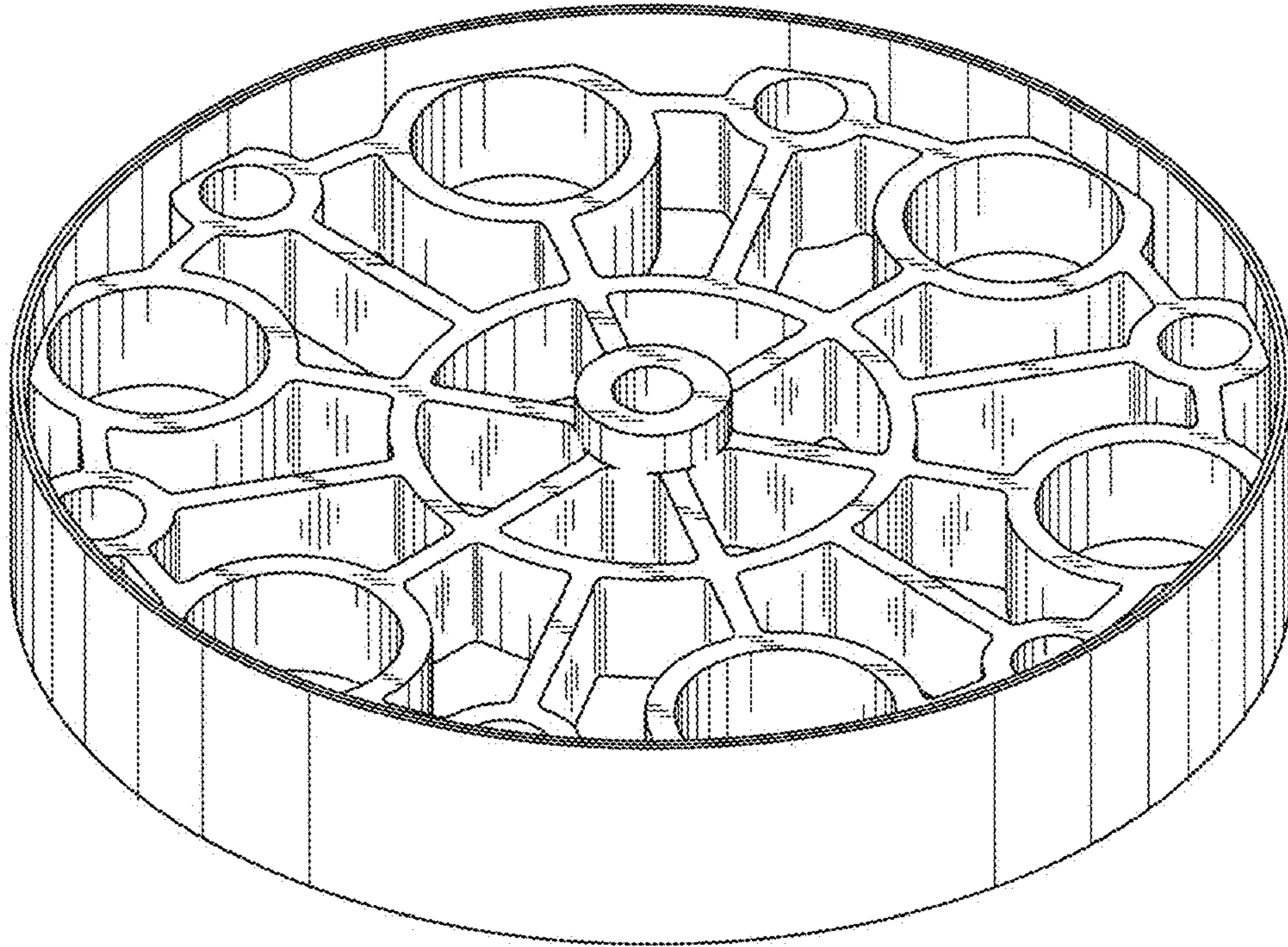


Fig. 2

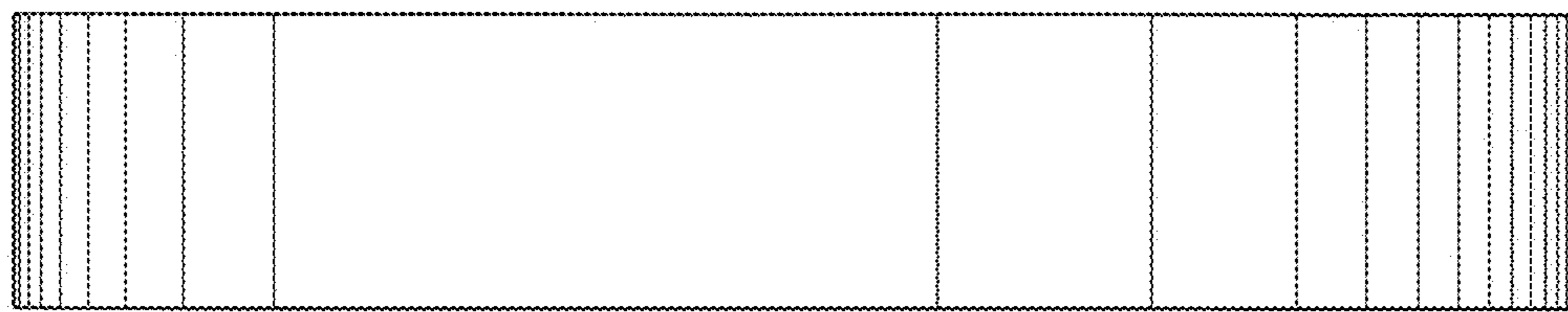


Fig. 3

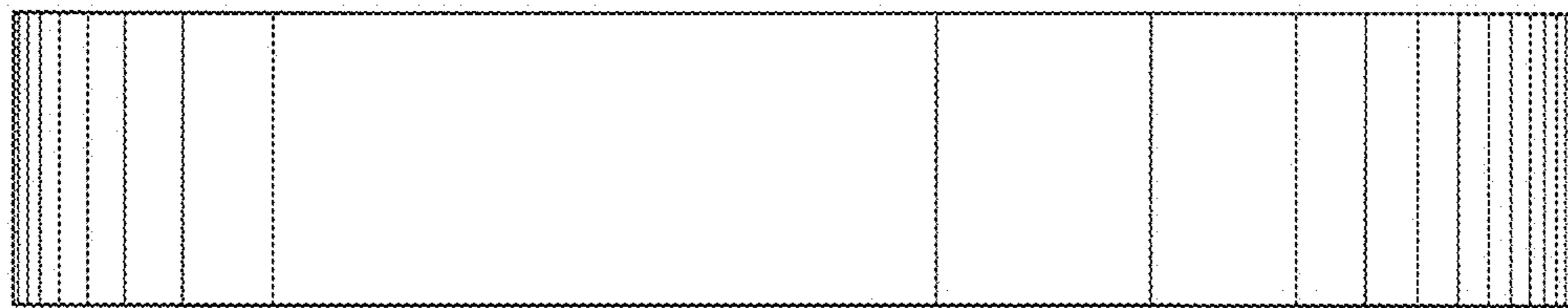


Fig.4

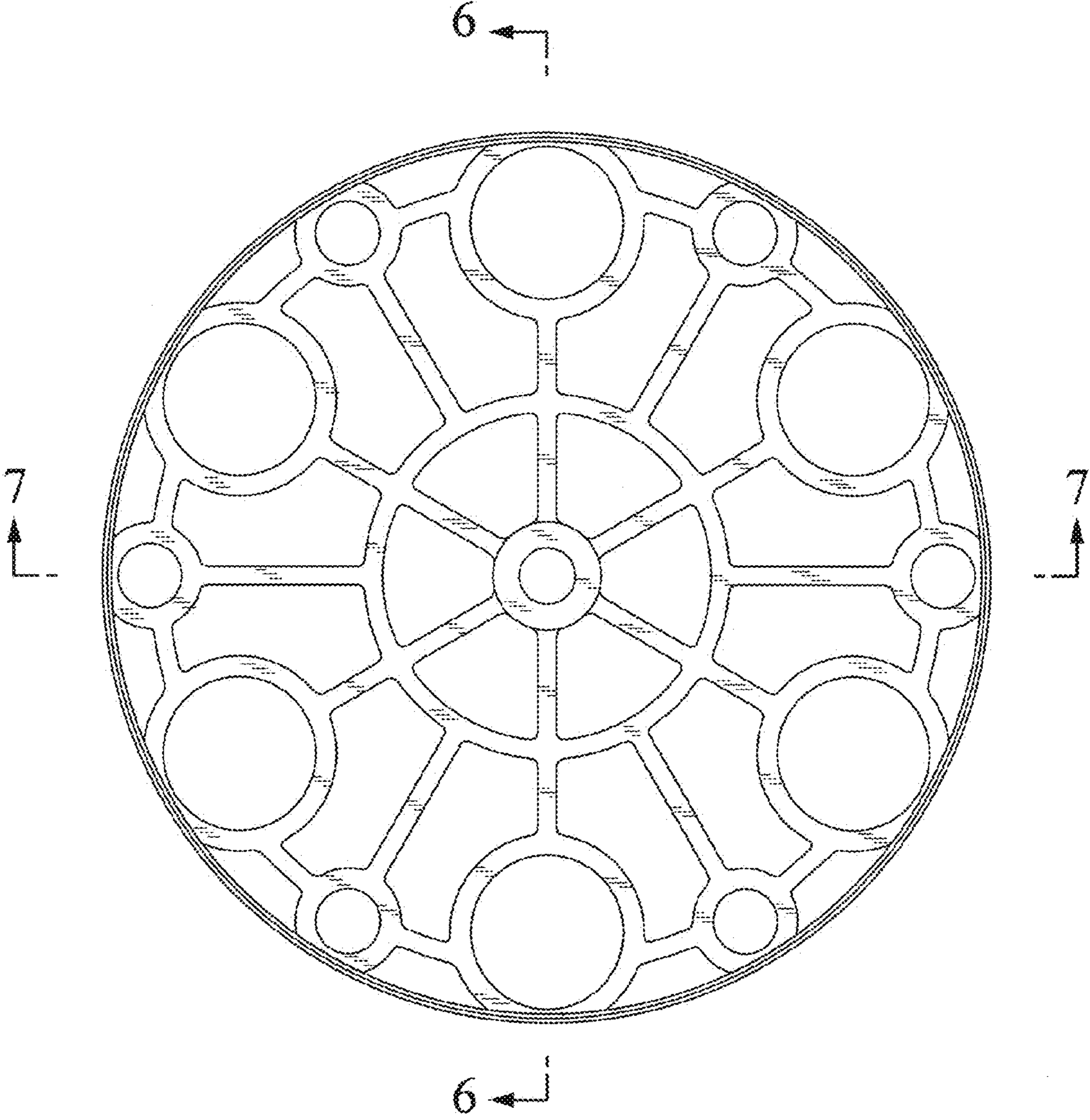


Fig.5

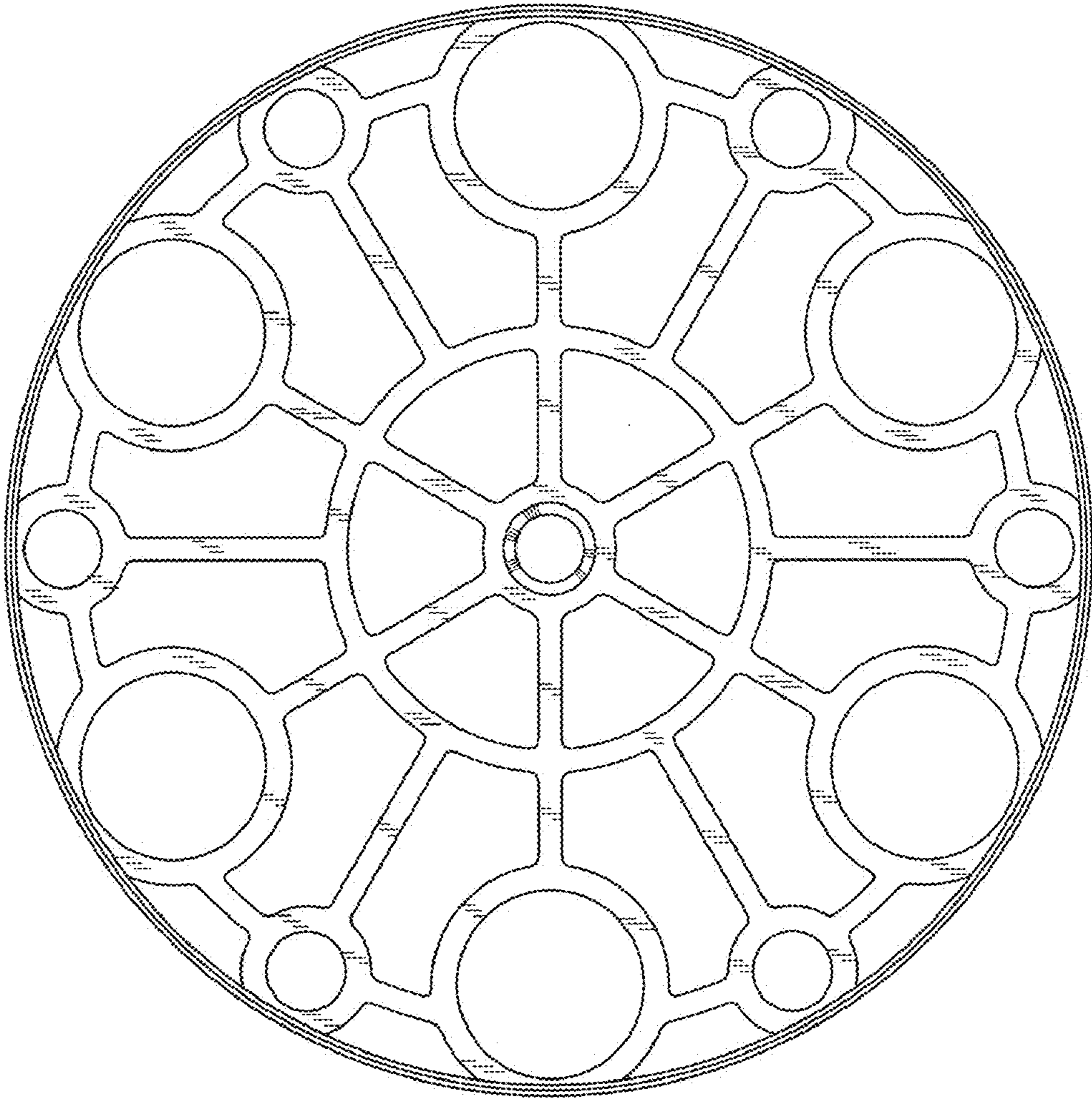


Fig.6

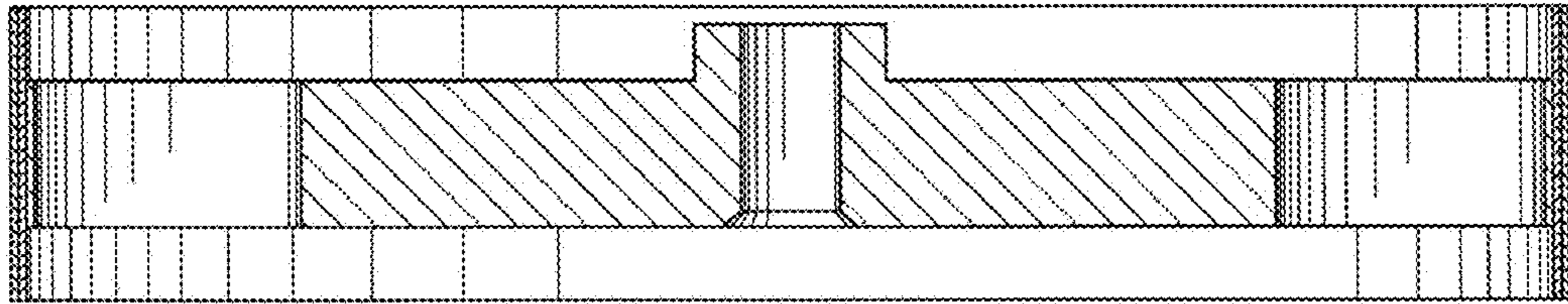


Fig.7

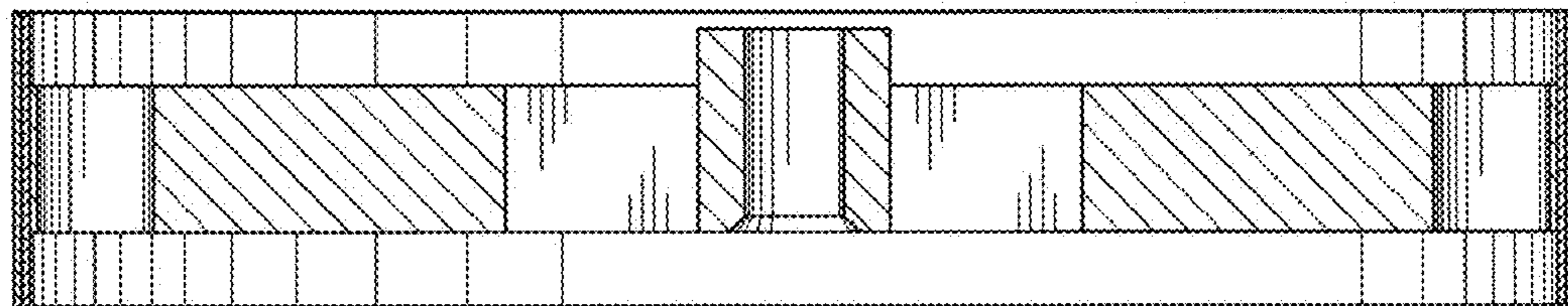


Fig.8

