



US00D641610S

(12) **United States Design Patent**
Sedalo

(10) **Patent No.:** **US D641,610 S**

(45) **Date of Patent:** **** Jul. 19, 2011**

(54) **MOUNT FOR ELECTRONIC DEVICE TO
VEHICLE SEAT HEADREST**

(75) **Inventor:** **Tete Delali Sedalo, Carlsbad, CA (US)**

(73) **Assignee:** **Toucoul, LLC, Carlsbad, CA (US)**

(**) **Term:** **14 Years**

(21) **Appl. No.:** **29/376,749**

(22) **Filed:** **Oct. 12, 2010**

(51) **LOC (9) Cl.** **08-05**

(52) **U.S. Cl.** **D8/354**

(58) **Field of Classification Search** D8/354,
D8/363, 349; D14/452, 447, 451, 432, 439,
D14/440, 448, 457; D17/22; 248/121, 274.1,
248/248.1, 127, 133, 177.1, 178.1, 179.1,
248/183.1, 346.1, 346.2, 917-924
See application file for complete search history.

(56) **References Cited**

U.S. PATENT DOCUMENTS

D394,646	S	*	5/1998	Ratzlaff	D14/451
D435,852	S	*	1/2001	Oddsens, Jr.	D14/452
D473,562	S	*	4/2003	Russell	D14/447
D473,563	S	*	4/2003	Russell	D14/447
D488,708	S	*	4/2004	Lam et al.	D8/363
D494,183	S	*	8/2004	Wills et al.	D14/452
D495,240	S	*	8/2004	Mnich et al.	D8/355
D507,477	S	*	7/2005	Pfister	D8/363
D534,789	S	*	1/2007	Worrall et al.	D8/363
D537,706	S	*	3/2007	Ly Hau et al.	D8/363
D543,210	S	*	5/2007	Stenhouse et al.	D14/452
D543,547	S	*	5/2007	Muday et al.	D14/452
D544,489	S	*	6/2007	Oddsens et al.	D14/452
7,261,265	B2	*	8/2007	Burns	248/276.1
D557,125	S	*	12/2007	Worrall et al.	D8/380
D557,126	S	*	12/2007	Worrall et al.	D8/380
D558,771	S	*	1/2008	Derry et al.	D14/447
D558,773	S	*	1/2008	Derry et al.	D14/447
D560,470	S	*	1/2008	Short et al.	D8/354
D563,774	S	*	3/2008	Wohlford et al.	D8/363
D565,938	S	*	4/2008	Massoumi et al.	D8/363
D566,531	S	*	4/2008	Massoumi et al.	D8/363

D579,319	S	*	10/2008	Short	D8/354
D581,252	S	*	11/2008	Short	D8/354
D587,273	S	*	2/2009	Sculler et al.	D14/451
D611,802	S	*	3/2010	Li	D8/363
7,726,617	B2	*	6/2010	Zambelli et al.	248/288.31
D637,593	S	*	5/2011	Zanetti	D14/253
2002/0011544	A1	*	1/2002	Bosson	248/121
2004/0011932	A1	*	1/2004	Duff	248/157
2004/0262474	A1	*	12/2004	Boks et al.	248/276.1
2005/0035253	A1	*	2/2005	Rixom	248/284.1
2005/0092873	A1	*	5/2005	Lin	248/125.9
2005/0127261	A1	*	6/2005	Lin	248/288.51
2005/0258321	A1	*	11/2005	Worrall et al.	248/201
2008/0099646	A1	*	5/2008	Kobara et al.	248/309.1

* cited by examiner

Primary Examiner — Mark Goodwin

(74) *Attorney, Agent, or Firm* — PCT Law Group, PLLC

(57) **CLAIM**

The ornamental design for a mount for electronic device to vehicle seat headrest, as shown and described.

DESCRIPTION

FIG. 1 is a top front perspective view of a mount for electronic device to vehicle seat headrest of the present invention showing a mount portion in the rear and a receiver in the front of the mount;

FIG. 2 is a rear view of the mount with a telescoping portion of the mount portion extended one section;

FIG. 3 is a top rear perspective view showing the telescoping portion between the mount portion and the receiver portion extended two sections;

FIG. 4 is left or right side view;

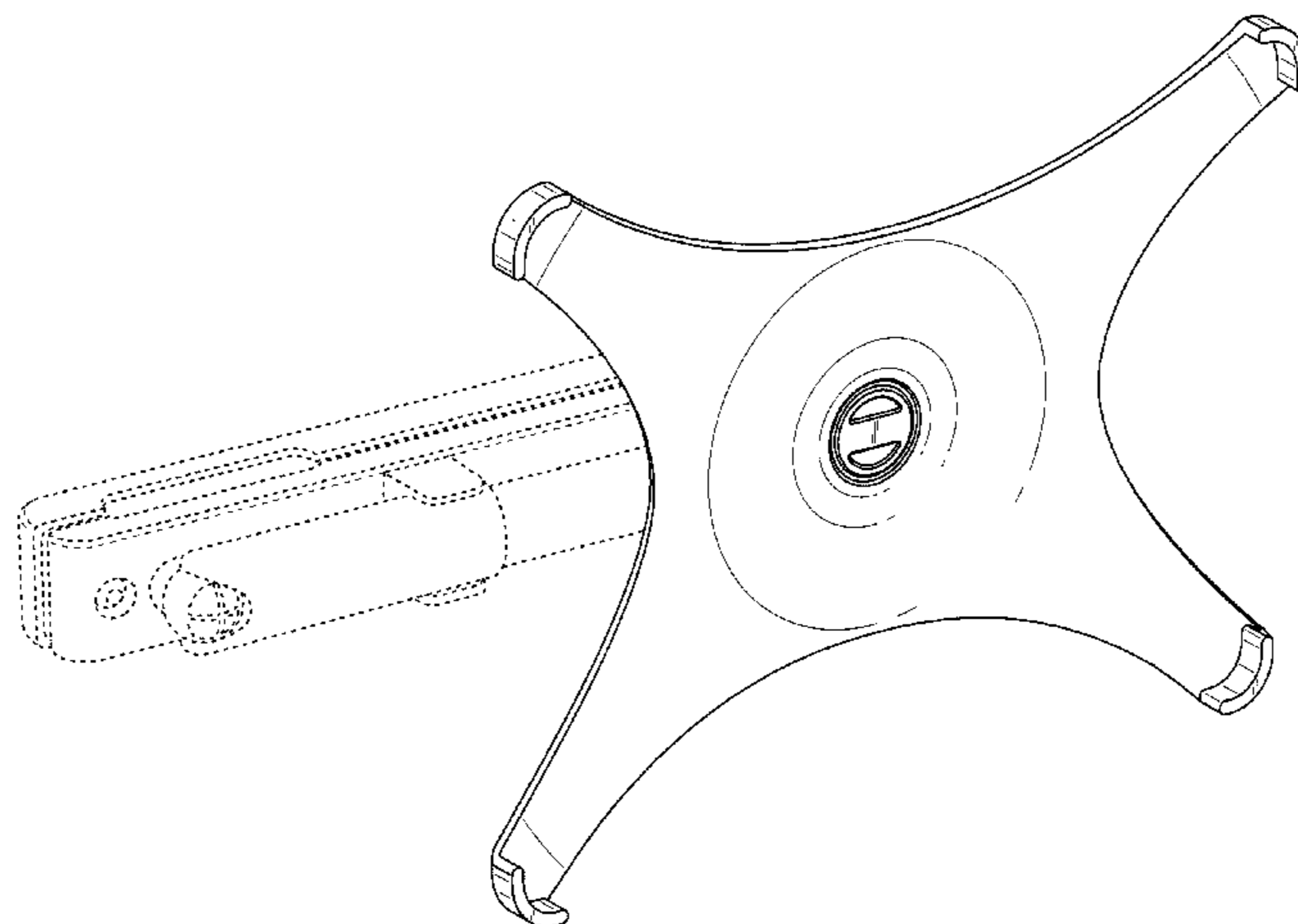
FIG. 5 is an opposite side view;

FIG. 6 is a top front perspective view showing the telescoping portion extended two sections; and,

FIG. 7 is a top view showing the telescoping portion extended three sections.

The broken line showings are for the purpose of illustrating environmental structure and form no part of the claimed design.

1 Claim, 6 Drawing Sheets



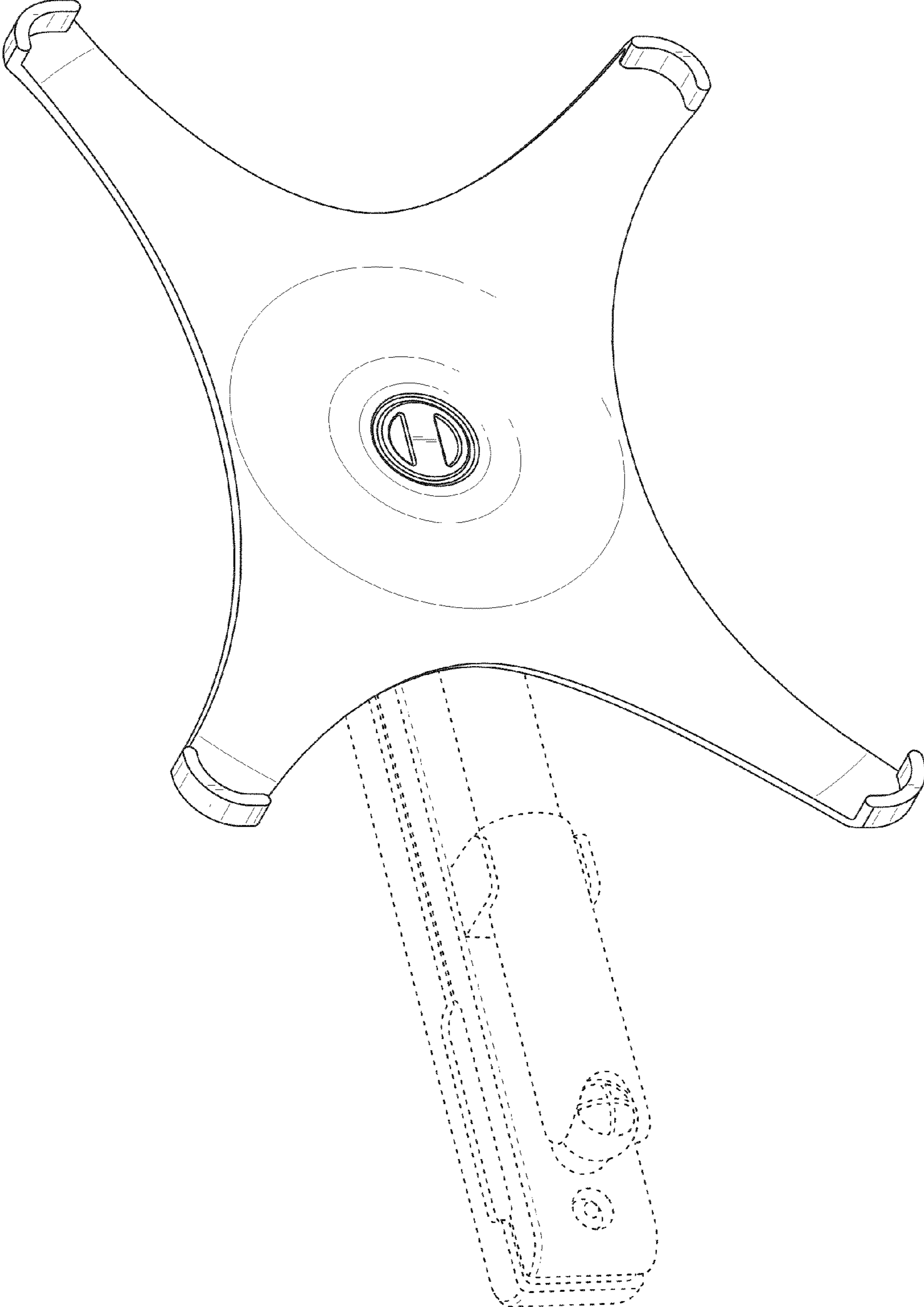


FIG. 1

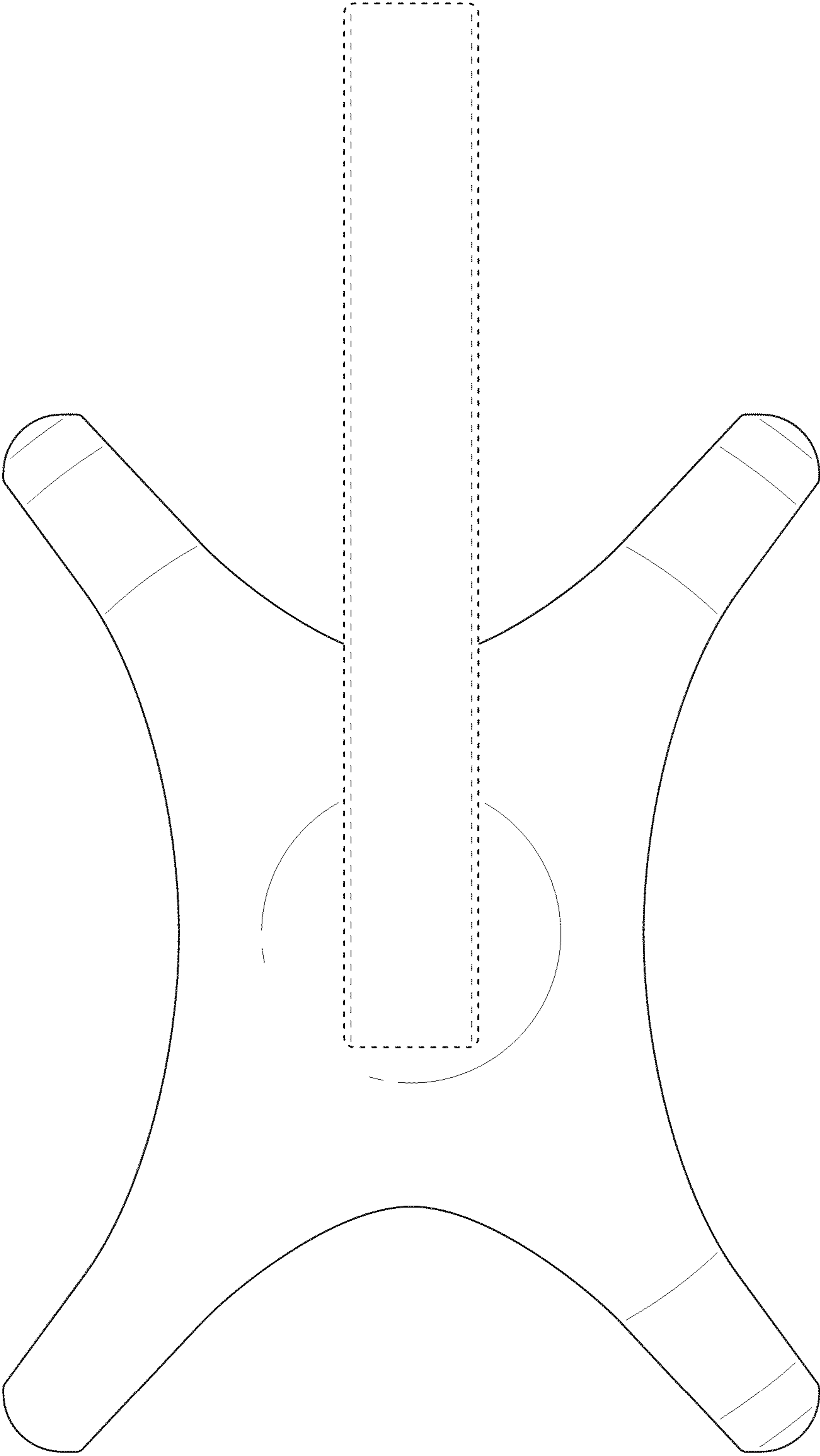


FIG. 2

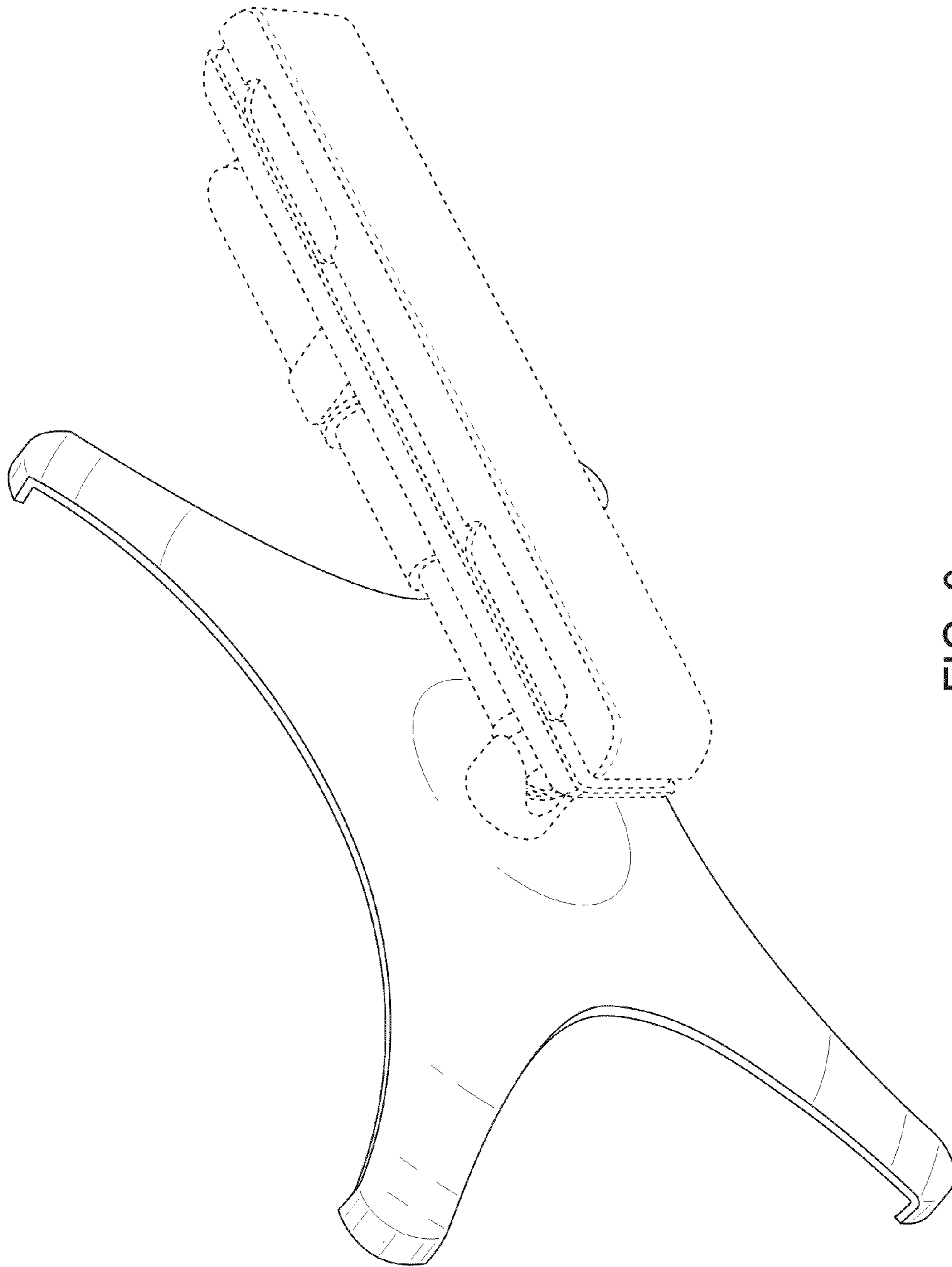


FIG. 3

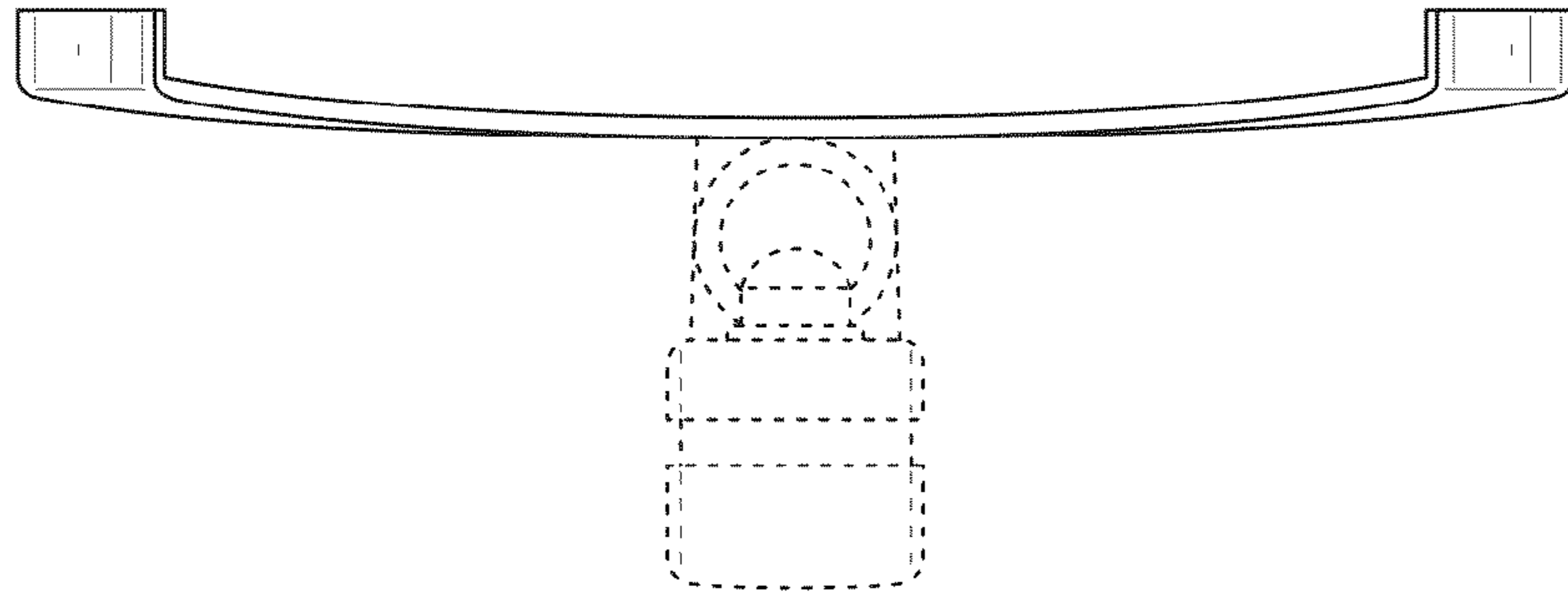


FIG. 5

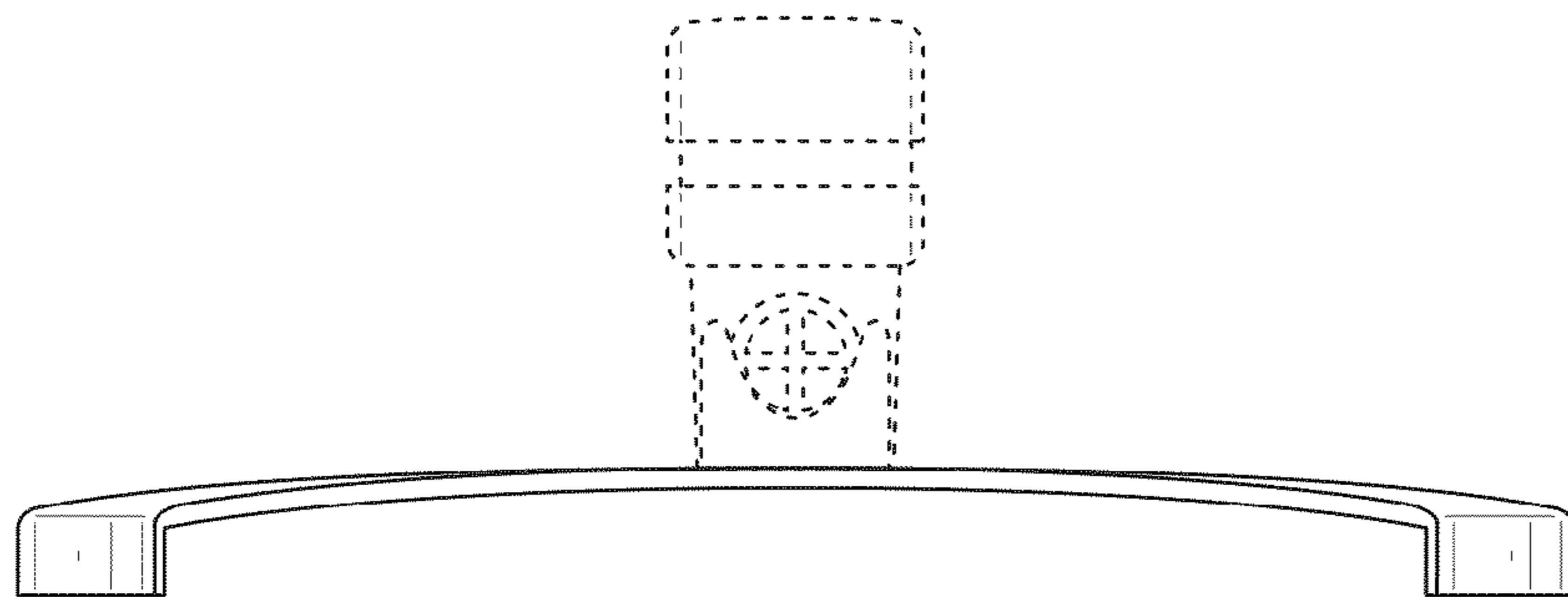


FIG. 4

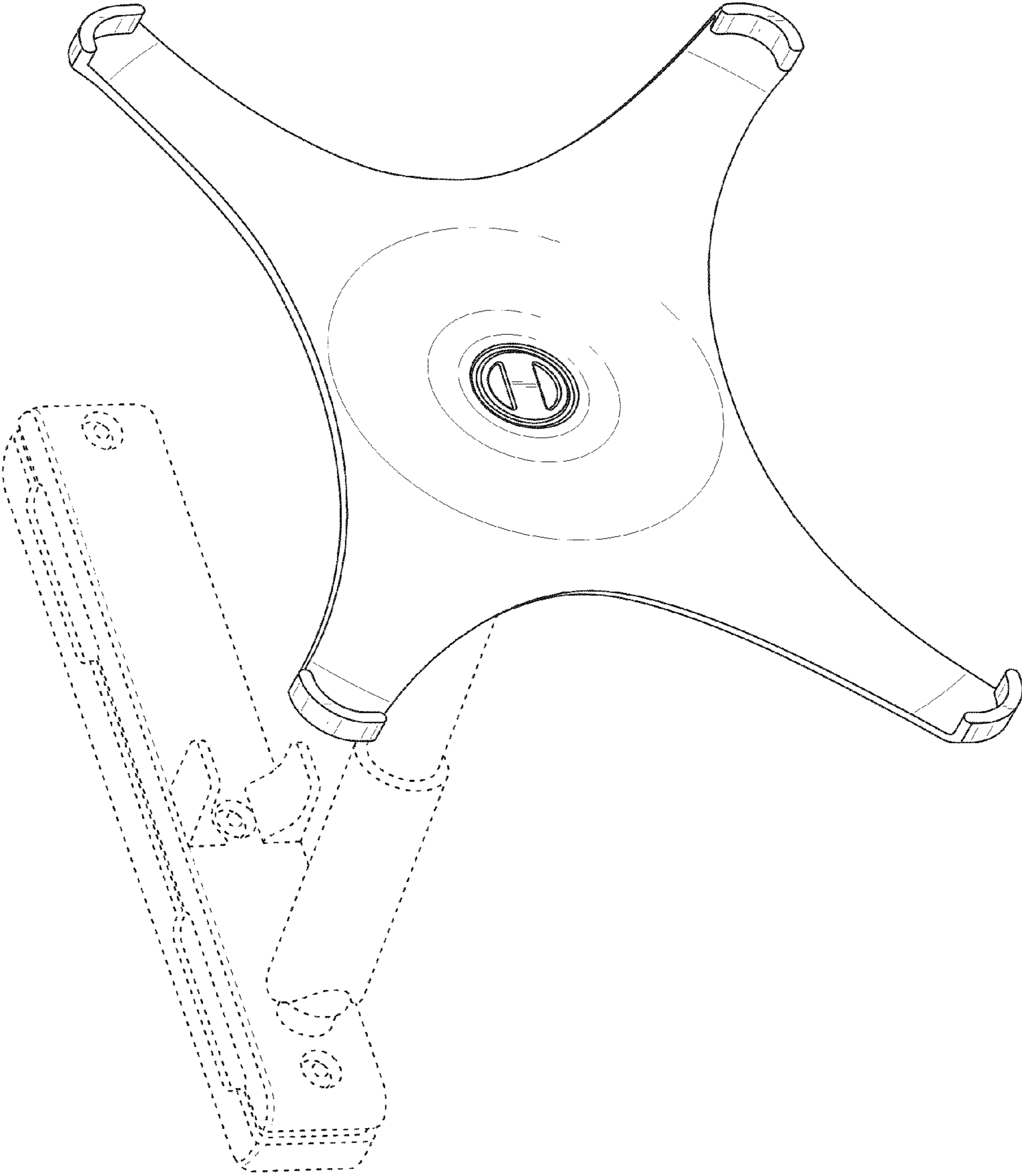


FIG. 6

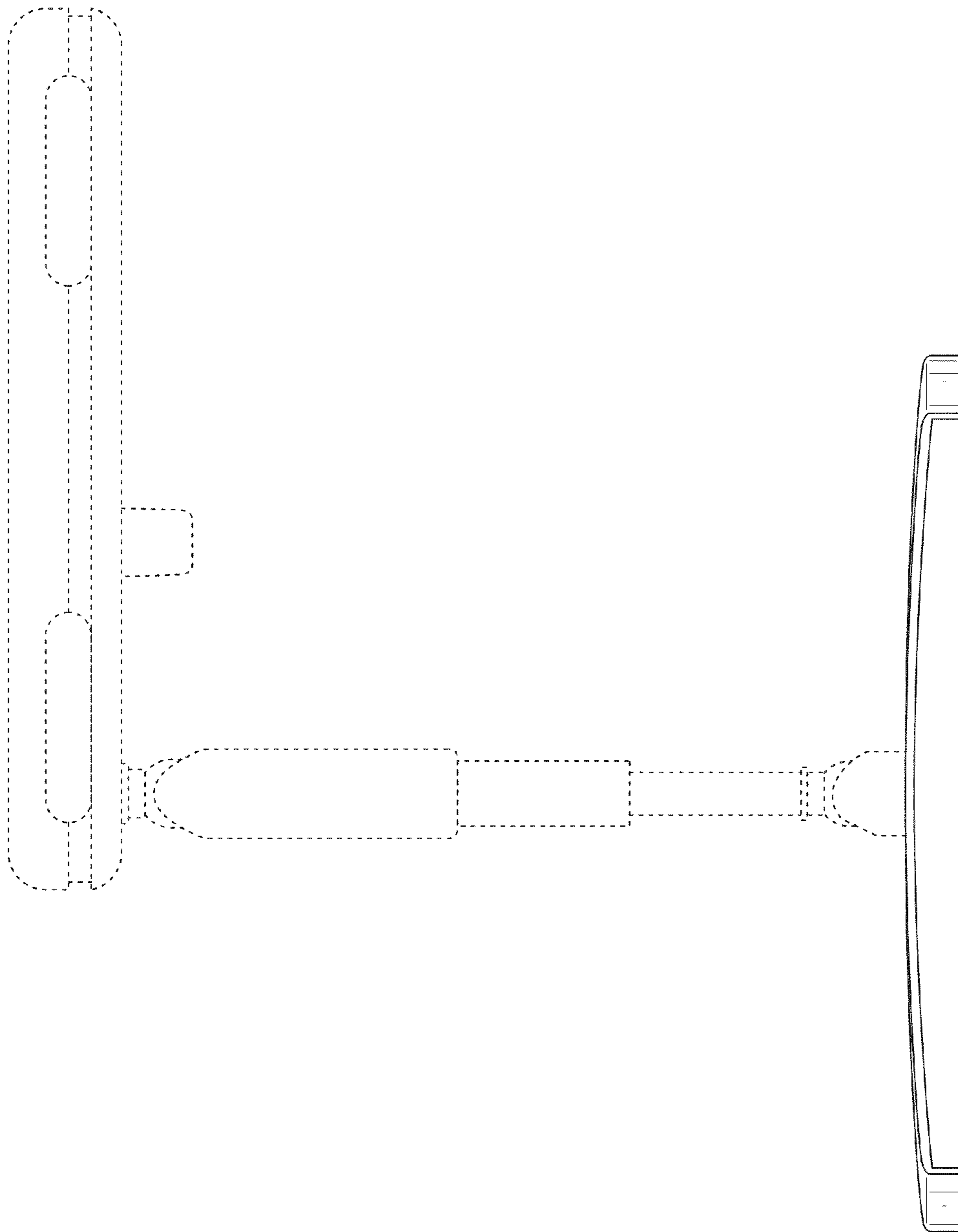


FIG. 7