



US00D641609S

(12) **United States Design Patent**
Yagame et al.

(10) **Patent No.:** **US D641,609 S**
(45) **Date of Patent:** **** Jul. 19, 2011**

(54) **SCREW GROMMET**

(75) Inventors: **Naofumi Yagame**, Toyota (JP); **Yuji Sasaki**, Toyota (JP)

(73) Assignee: **Nifco, Inc.**, Yokohama (JP)

(**) Term: **14 Years**

(21) Appl. No.: **29/347,731**

(22) Filed: **Apr. 27, 2010**

(30) **Foreign Application Priority Data**

Oct. 28, 2009 (JP) 2009-025177

(51) **LOC (9) Cl.** **08-05**

(52) **U.S. Cl.** **D8/354**

(58) **Field of Classification Search** D8/354,
D8/356, 382, 385, 400, 367, 499, 371, 399;
16/2.1; 174/153 G, 650, 659, 668; 411/15,
411/182, 508, 913, 112, 366, 427, 510, 531,
411/546, 907, 908

See application file for complete search history.

(56) **References Cited**

U.S. PATENT DOCUMENTS

2,836,214	A *	5/1958	Rapata	411/182
2,836,215	A *	5/1958	Rapata	411/15
2,875,804	A *	3/1959	Flora	411/427
2,946,612	A *	7/1960	Ahlgren	292/17
2,984,698	A *	5/1961	Strauss	174/138 R
3,593,612	A *	7/1971	Schulze	411/15
3,701,302	A *	10/1972	Pestka et al.	411/15
3,701,373	A *	10/1972	Wronke et al.	411/182
3,756,116	A *	9/1973	Schuplin	411/15
3,803,973	A *	4/1974	Rapata	411/15
3,830,134	A *	8/1974	Erickson	411/15
3,869,958	A *	3/1975	Murayama	411/15
3,893,365	A *	7/1975	Gross	411/15
3,933,076	A *	1/1976	Tanaka	411/15
4,070,945	A *	1/1978	Kurosaki	411/182
4,077,300	A *	3/1978	Yoda	411/15
4,179,977	A *	12/1979	van Buren, Jr.	411/182

4,293,260	A *	10/1981	Kojima et al.	411/44
D270,516	S *	9/1983	Achille	D8/354
D274,691	S *	7/1984	Wallace	D8/336
4,460,298	A *	7/1984	Solarz et al.	411/15
4,521,148	A *	6/1985	Tanaka	411/182
4,704,059	A *	11/1987	Nakama et al.	411/182
4,743,152	A *	5/1988	Nakayama et al.	411/182
4,971,500	A *	11/1990	Benoit et al.	411/182
5,294,225	A *	3/1994	Kazino et al.	411/182
5,401,132	A *	3/1995	Akema	411/38
5,593,262	A *	1/1997	Gedeon et al.	411/182
6,244,805	B1 *	6/2001	Everard	411/182
6,315,510	B1 *	11/2001	Sturies et al.	411/182
D464,873	S *	10/2002	Nemoto	D8/382
6,507,976	B2 *	1/2003	Ichimaru	16/82
6,805,524	B2 *	10/2004	Kanie et al.	411/174
7,008,159	B2 *	3/2006	Dendo	411/182
D529,793	S *	10/2006	Kuroda	D8/382
7,273,227	B2 *	9/2007	Kawai et al.	280/730.2

(Continued)

Primary Examiner — Mark Goodwin

(74) *Attorney, Agent, or Firm* — Manabu Kanesaka

(57) **CLAIM**

The ornamental design for a screw grommet, as shown and described.

DESCRIPTION

FIG. 1 is a perspective view of a screw grommet showing our new design;

FIG. 2 is another perspective view thereof;

FIG. 3 is a front view thereof;

FIG. 4 is a rear view thereof;

FIG. 5 is a plan view thereof;

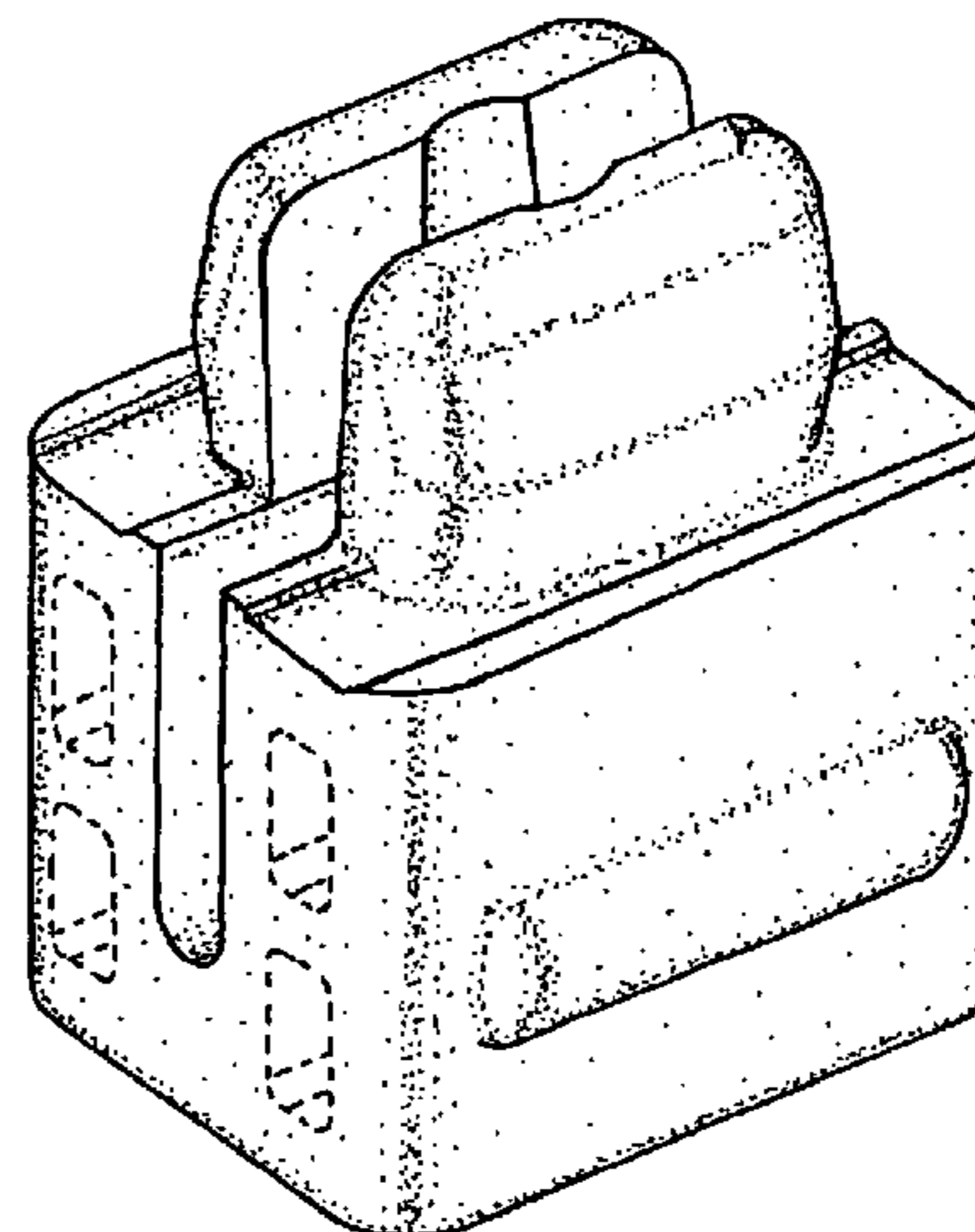
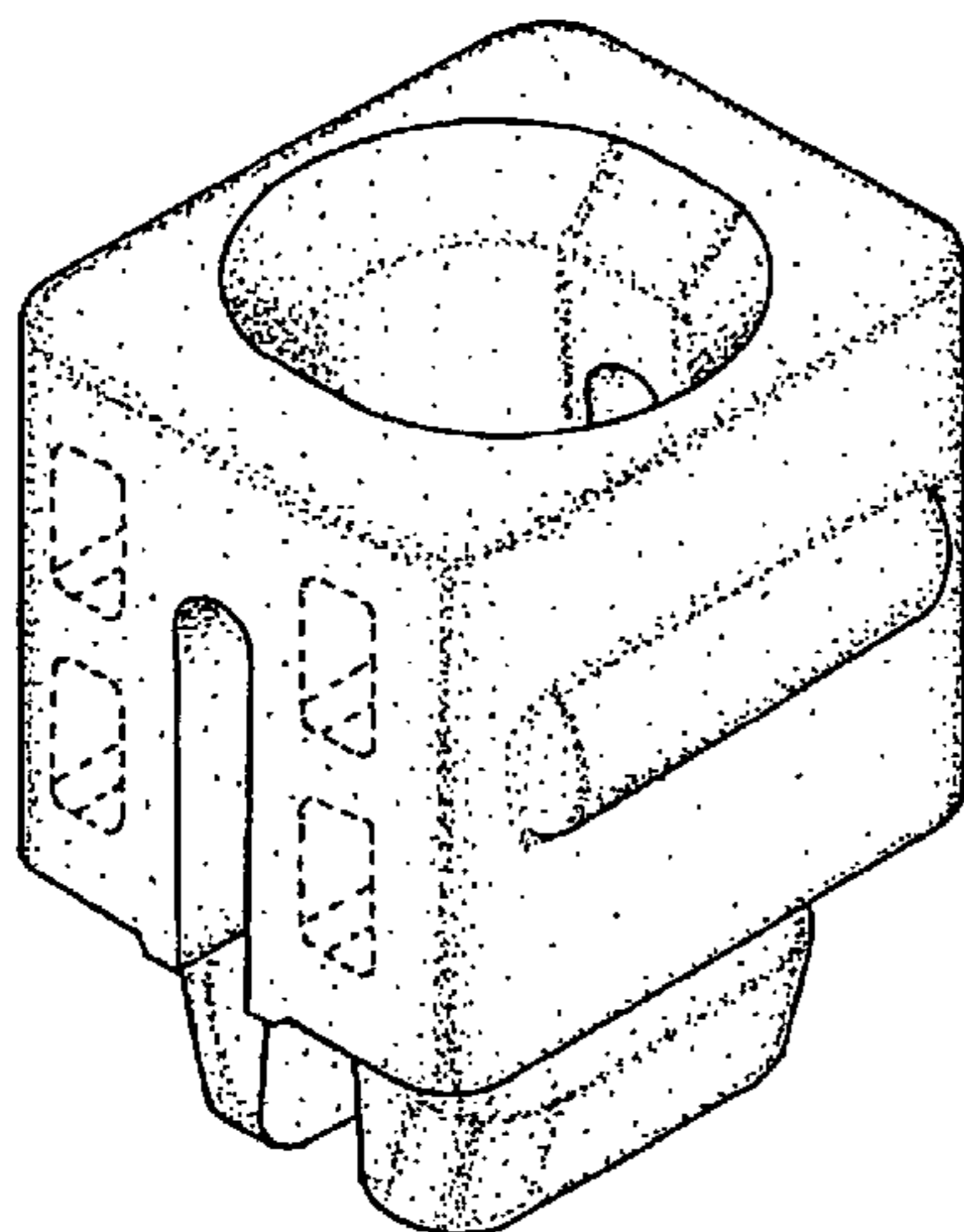
FIG. 6 is a bottom side view thereof;

FIG. 7 is a right side view thereof; and,

FIG. 8 is a left side view thereof.

The broken line showing of rectangular surface features in FIGS. 1-4 is included for the purpose of illustrating portions of the screw grommet and forms no part of the claimed design.

1 Claim, 4 Drawing Sheets



US D641,609 S

Page 2

U.S. PATENT DOCUMENTS		7,874,533 B1*	1/2011	Gates et al.	248/205.1		
D583,650 S *	12/2008	Moerke	D8/356	D632,556 S *	2/2011	Van Camp et al.	D8/400
D622,131 S *	8/2010	Tezak et al.	D8/349	* cited by examiner			

FIG. 1

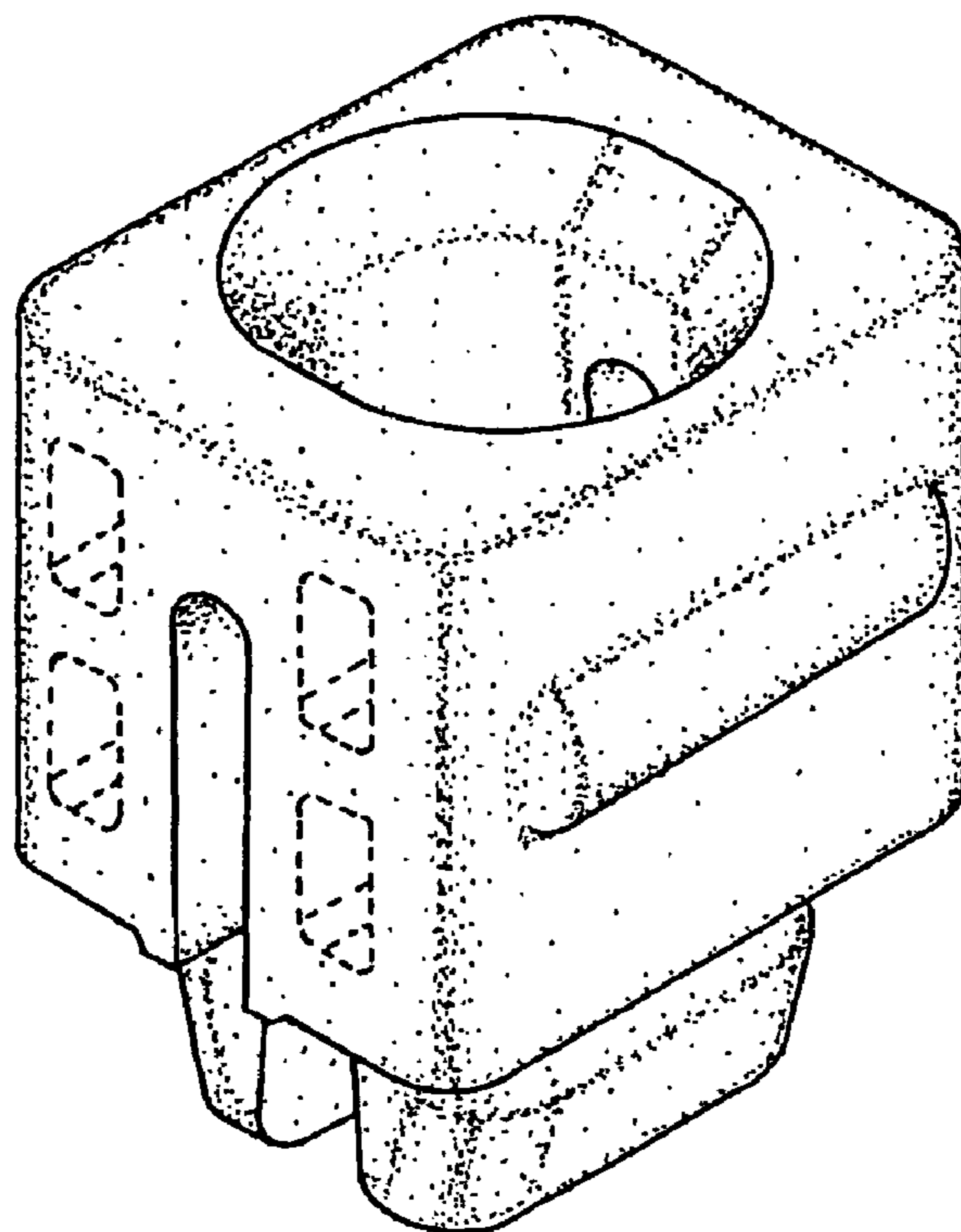


FIG. 2

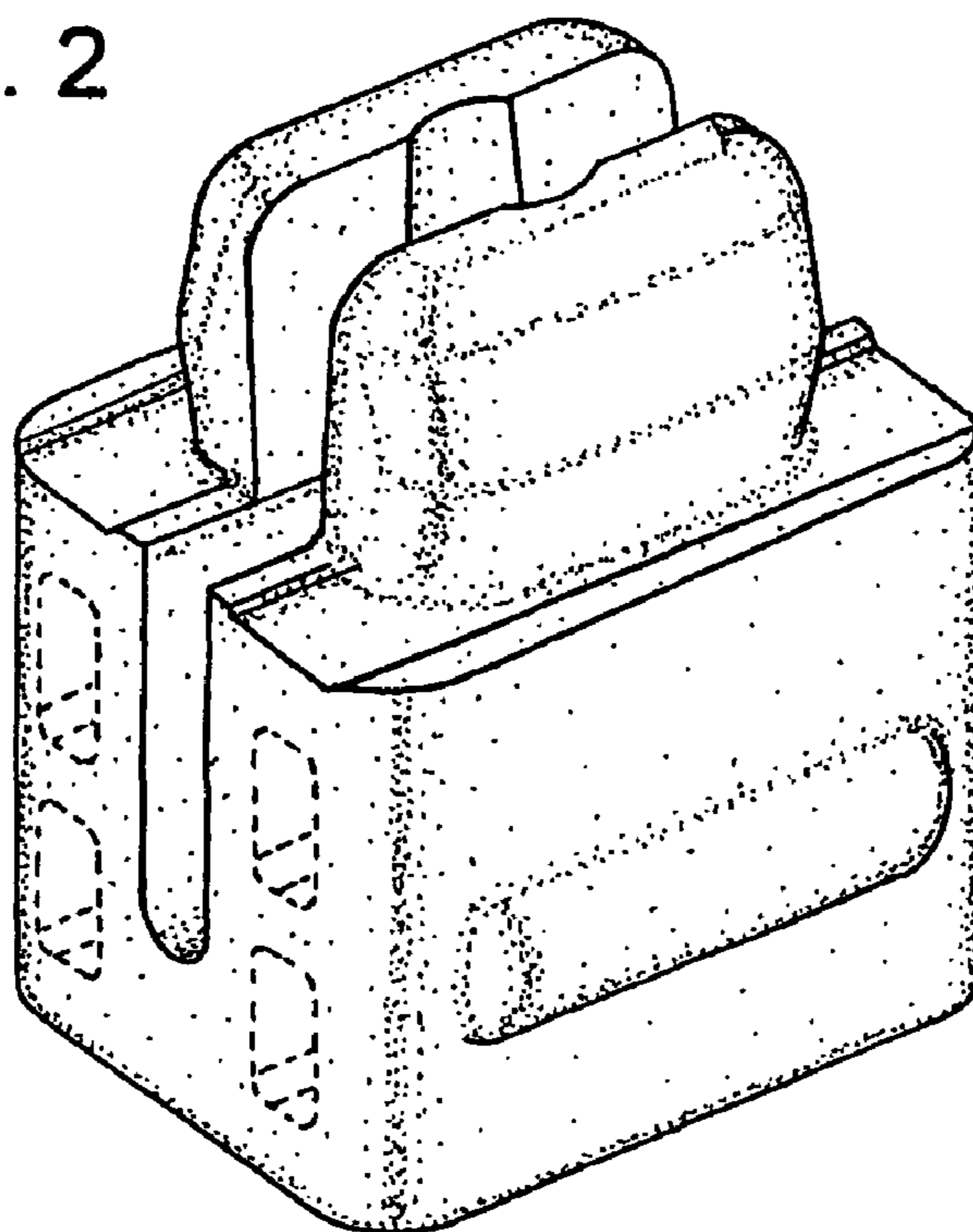


FIG. 3

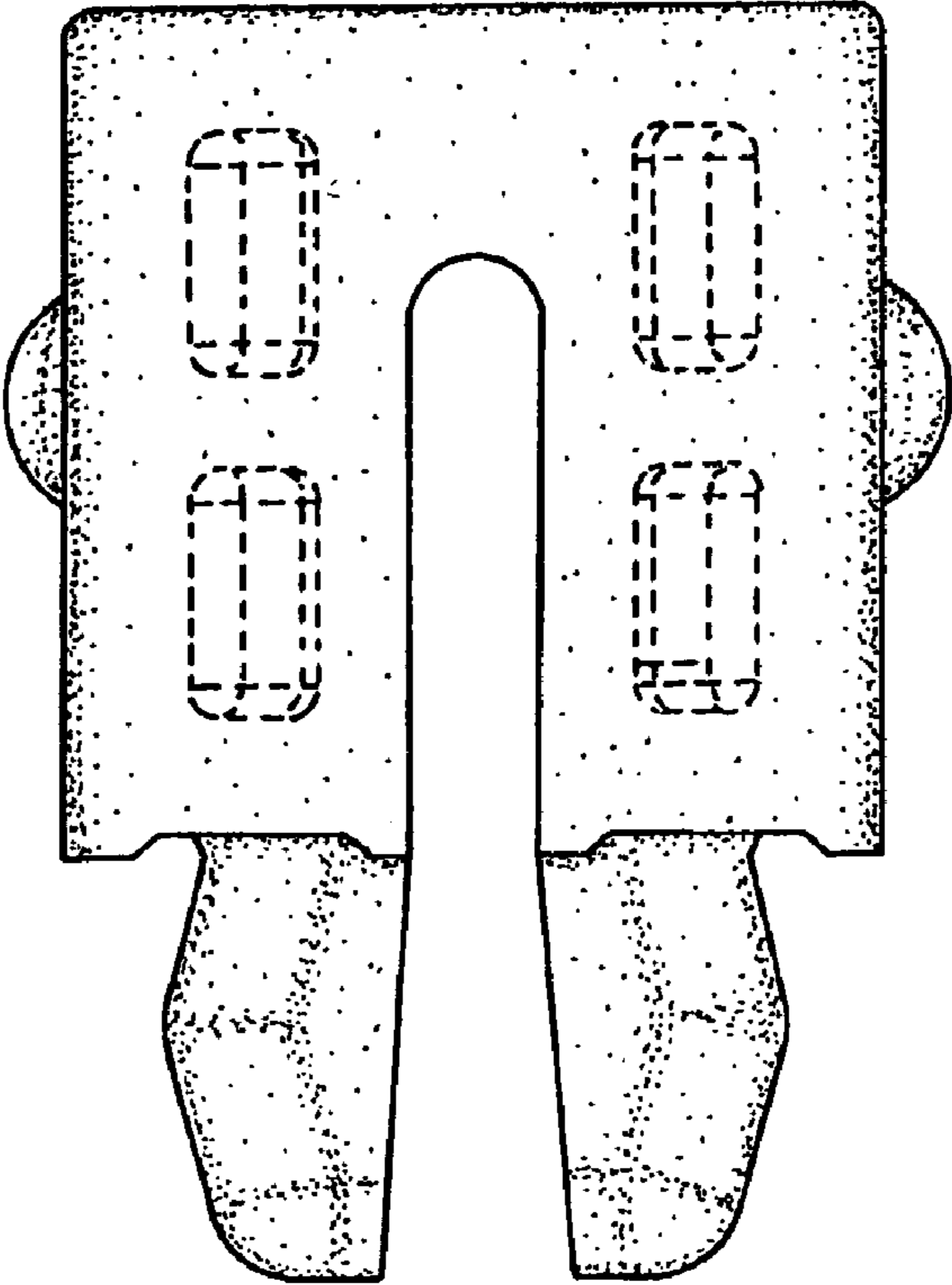


FIG. 4

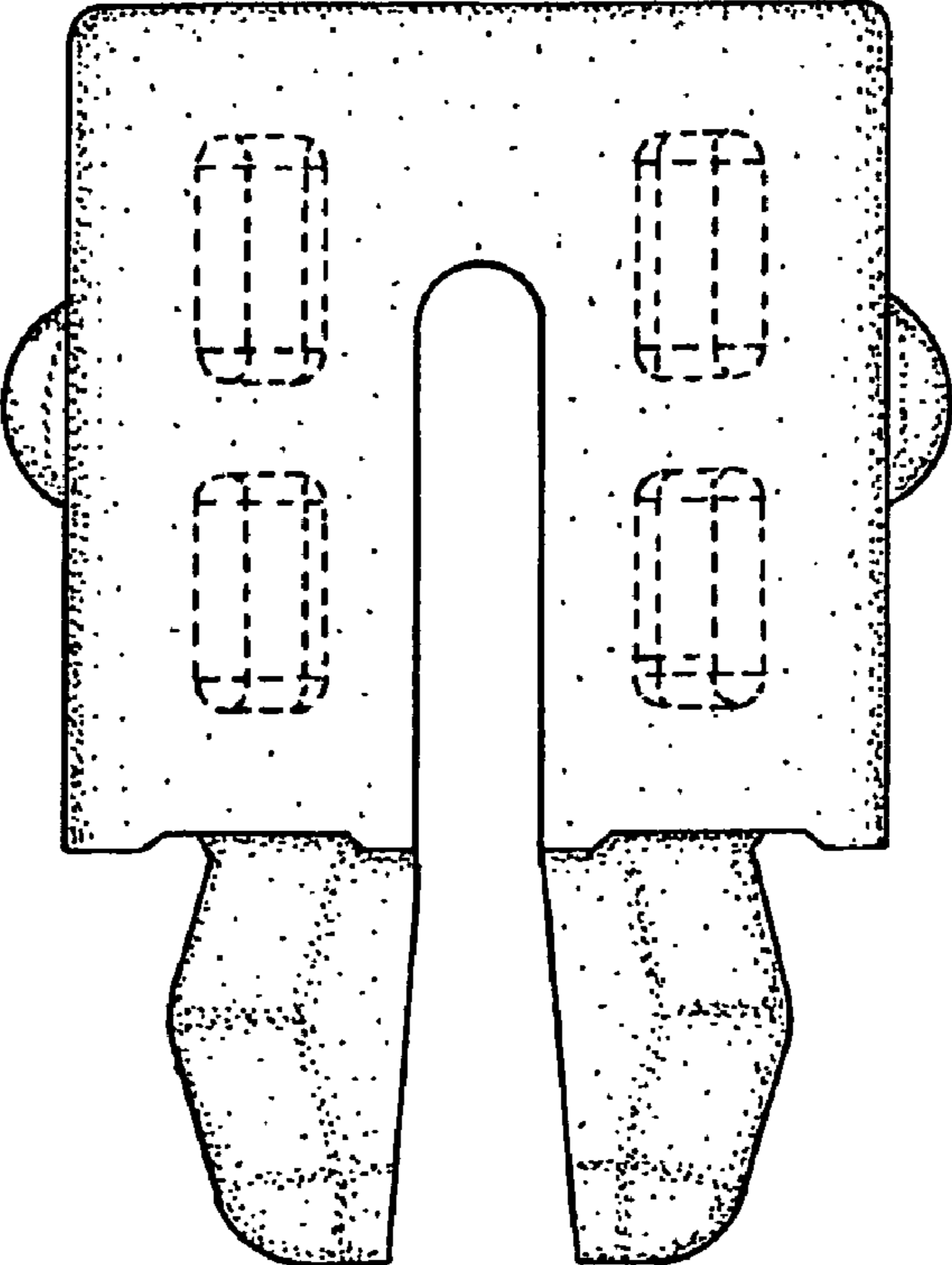


FIG. 5

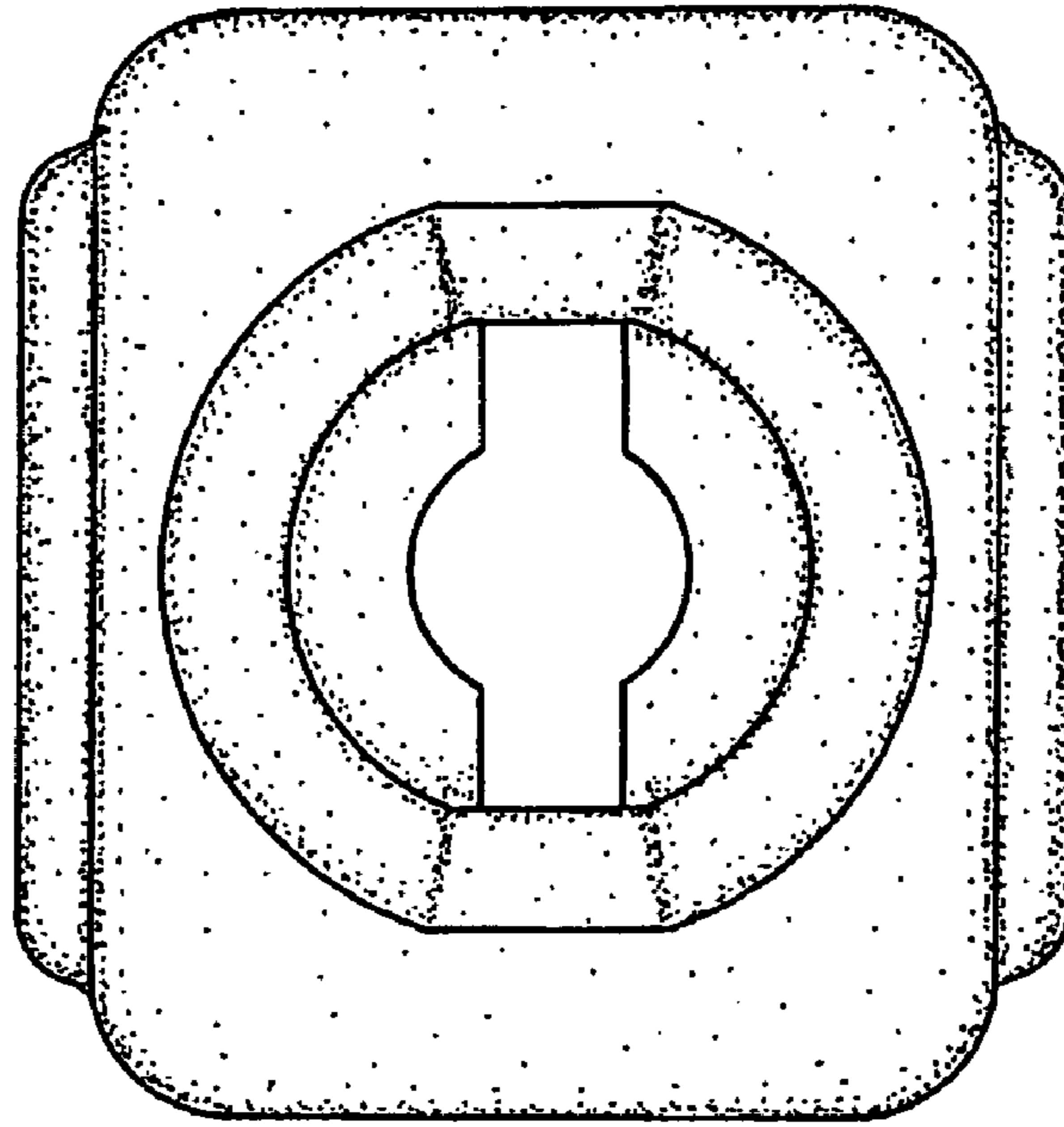


FIG. 6

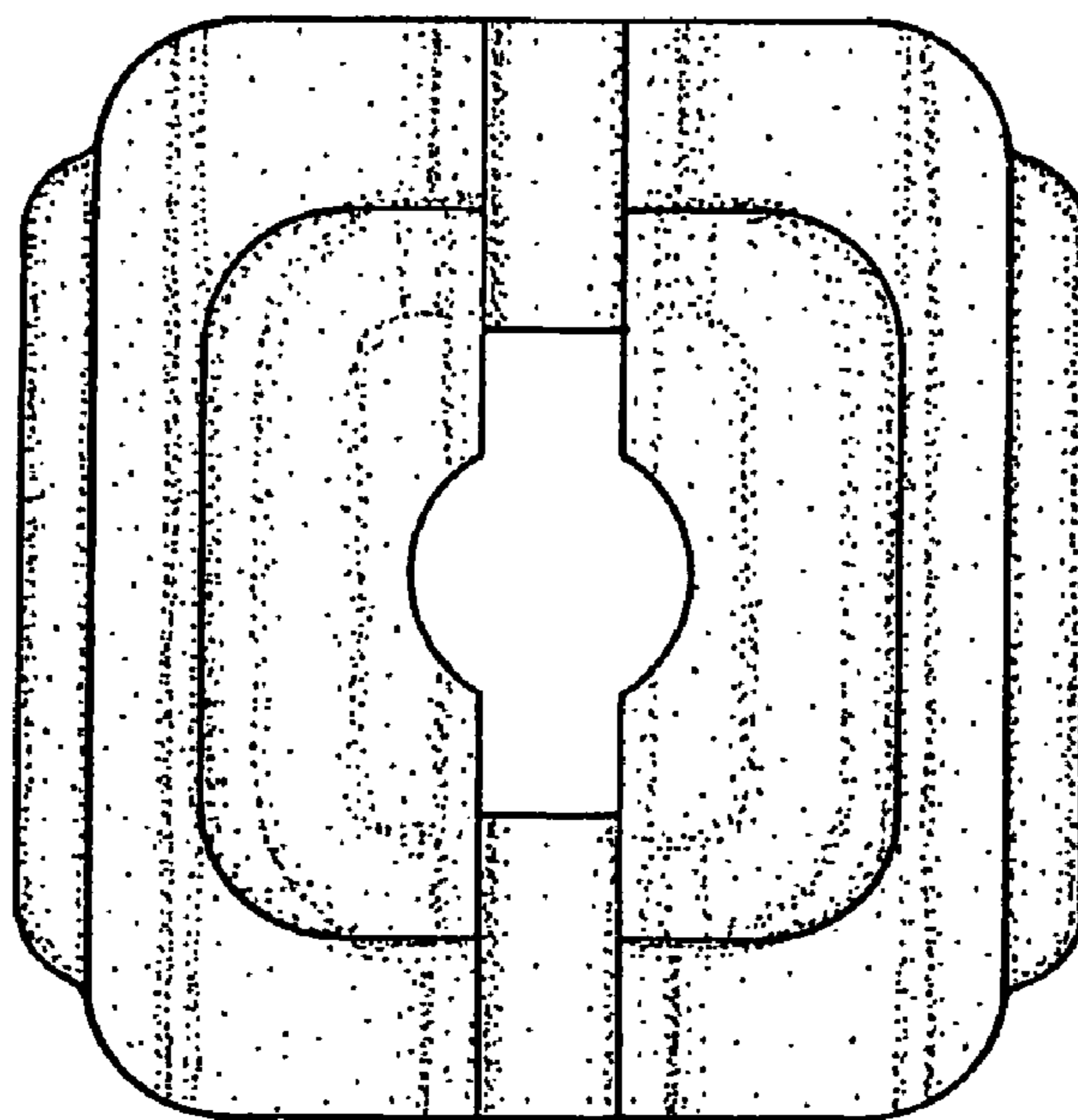


FIG. 7

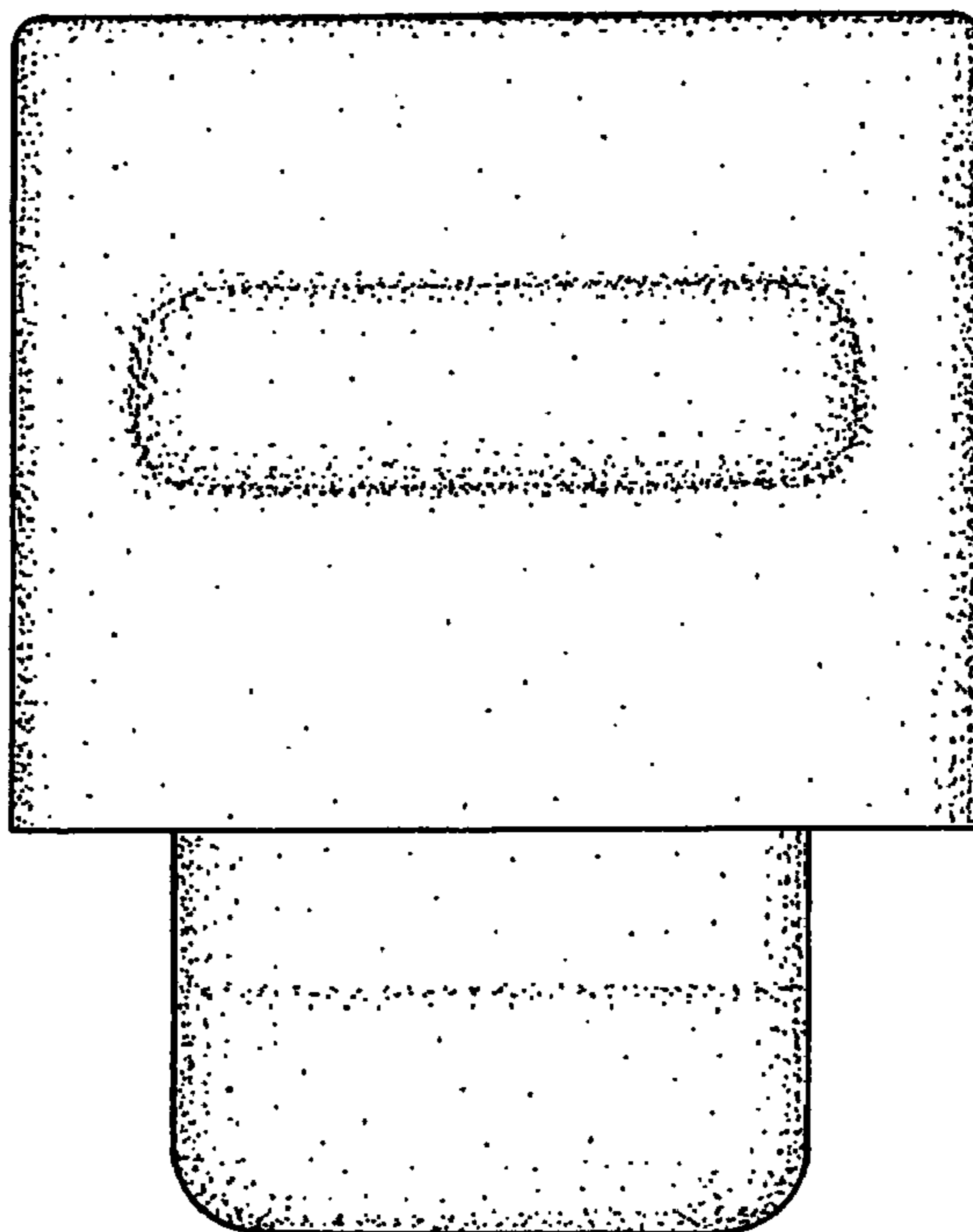


FIG. 8

