

US00D641606S

(12) **United States Design Patent**
Stillwagon

(10) **Patent No.:** **US D641,606 S**

(45) **Date of Patent:** **** Jul. 19, 2011**

(54) **METER PULLER WITH SAFETY SHIELD**

7,520,041 B1 * 4/2009 Aguilar 29/259
7,575,399 B2 * 8/2009 Van Horssen 407/107
7,765,666 B2 * 8/2010 Zhong 29/259

(76) Inventor: **James R. Stillwagon**, Columbus, OH
(US)

* cited by examiner

(**) Term: **14 Years**

Primary Examiner — Antoine D Davis

(74) *Attorney, Agent, or Firm* — Sand & Sebolt

(21) Appl. No.: **29/361,654**

(22) Filed: **May 13, 2010**

(51) **LOC (9) Cl.** **08-05**

(52) **U.S. Cl.** **D8/71**

(58) **Field of Classification Search** D8/71,
D8/72; 29/239, 240, 271, 278, 267

See application file for complete search history.

(57) **CLAIM**

The ornamental design for a meter puller with safety shield,
as shown and described.

DESCRIPTION

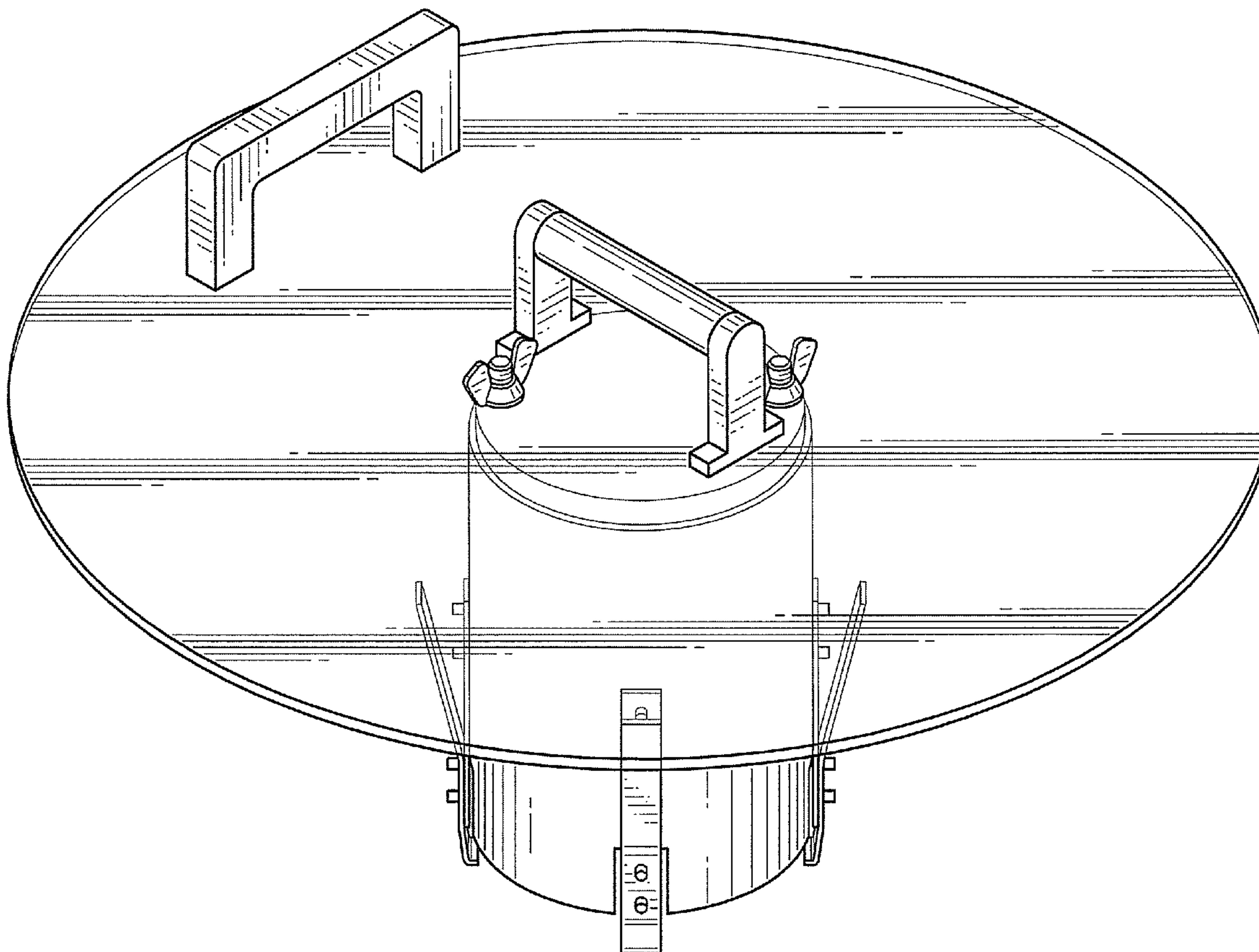
FIG. 1 is a perspective view of a meter puller with safety shield showing my new design;
FIG. 2 is a front elevation view thereof;
FIG. 3 is a rear elevation view thereof;
FIG. 4 is a left elevation view thereof;
FIG. 5 is a right elevation view thereof;
FIG. 6 is a top plan view thereof; and,
FIG. 7 is a bottom plan view thereof.

(56) **References Cited**

U.S. PATENT DOCUMENTS

D289,886 S * 5/1987 Fullerton D8/72
5,097,581 A 3/1992 Williams et al.
D338,814 S * 8/1993 Wright et al. D8/71
5,745,968 A * 5/1998 Genest et al. 29/270

1 Claim, 5 Drawing Sheets



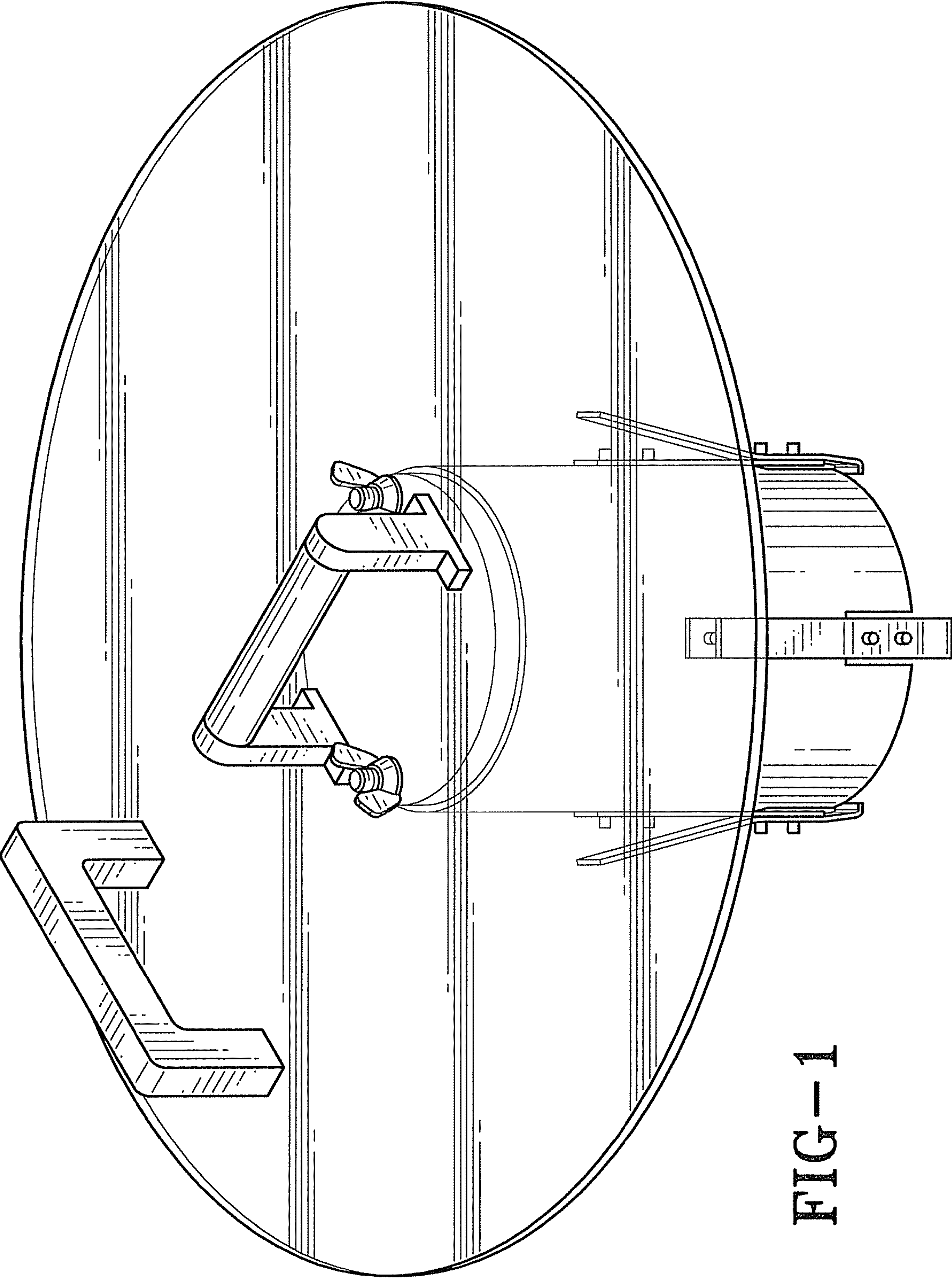


FIG-1

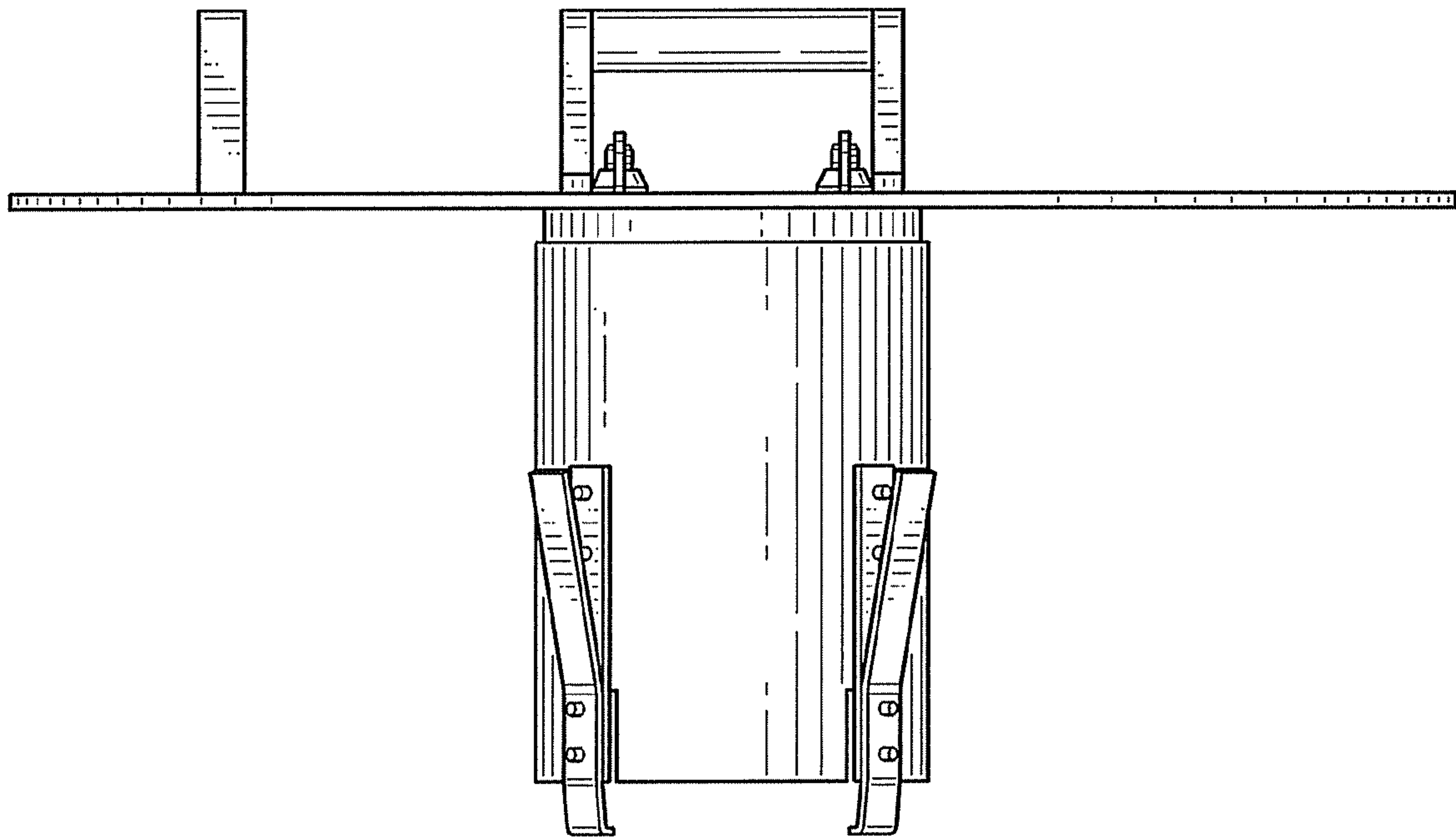


FIG-2

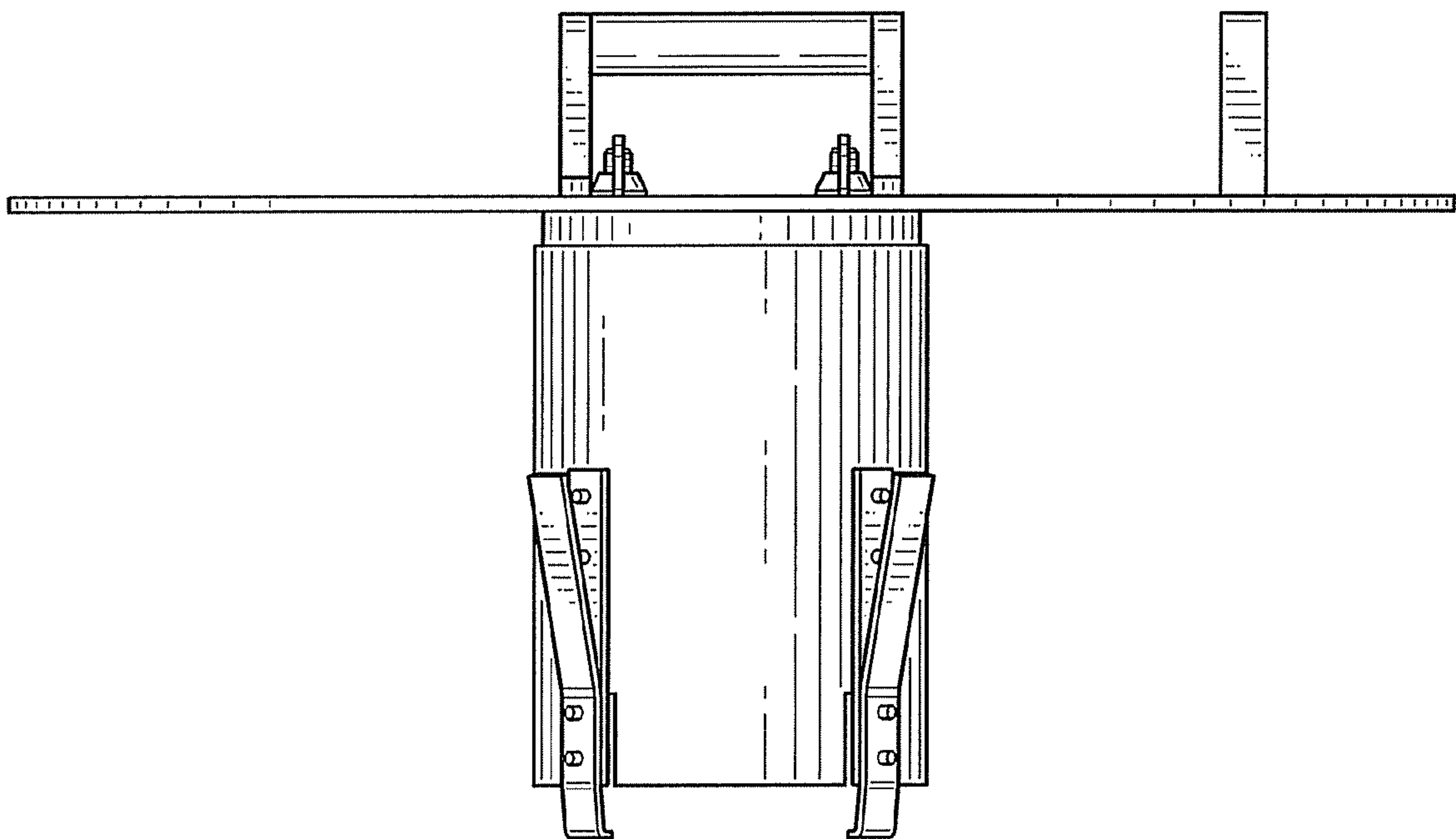


FIG-3

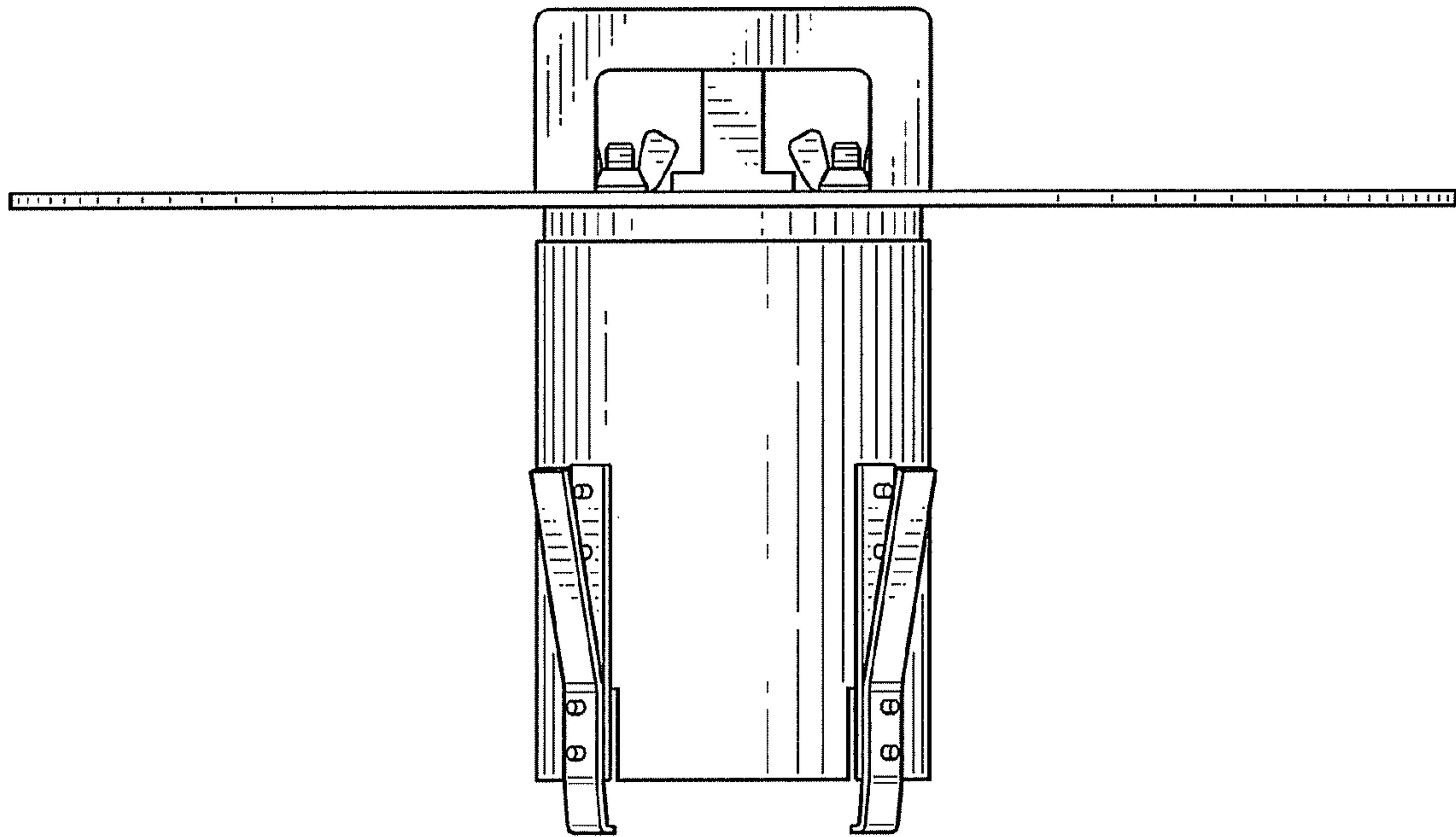


FIG-4

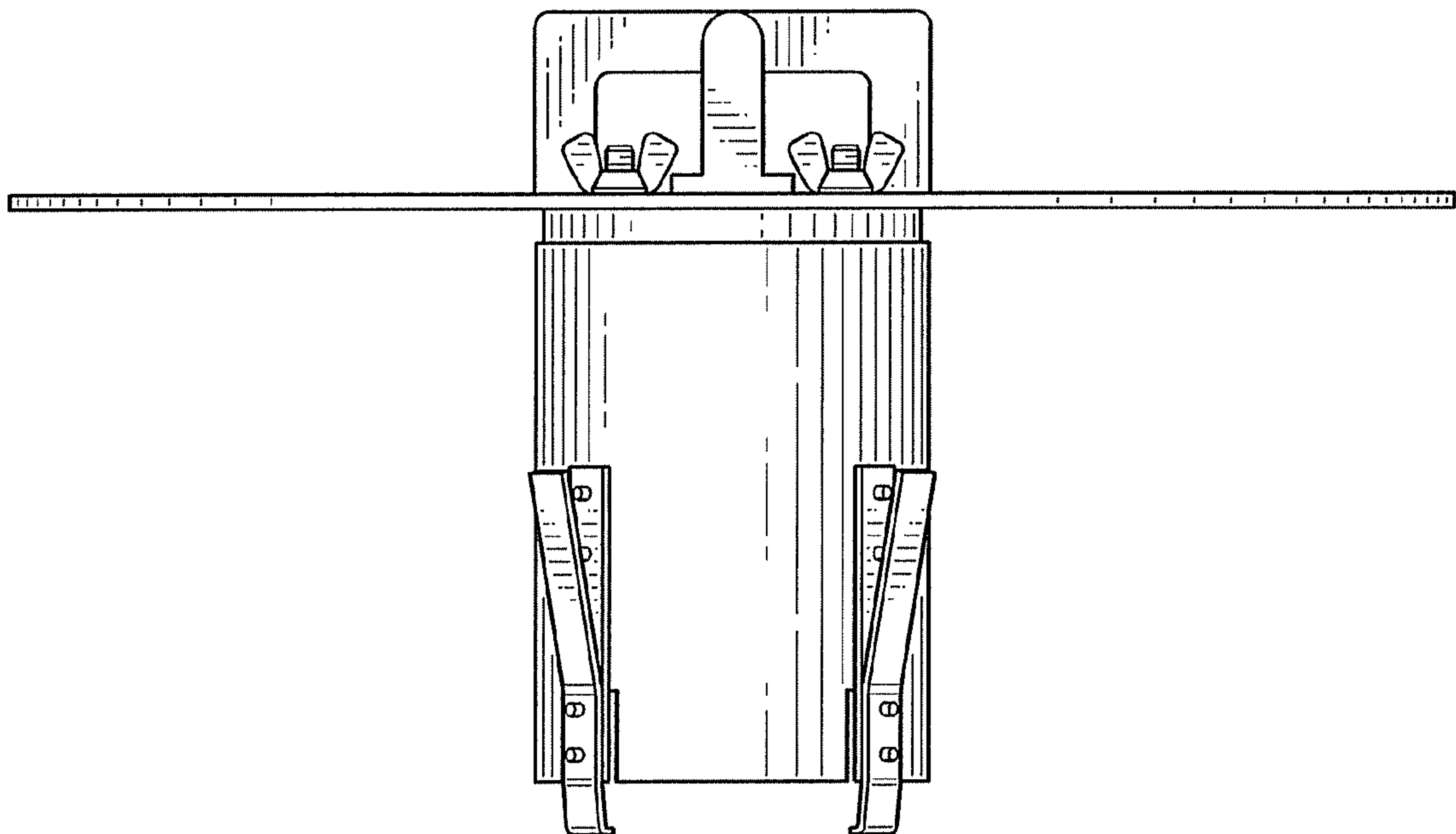


FIG-5

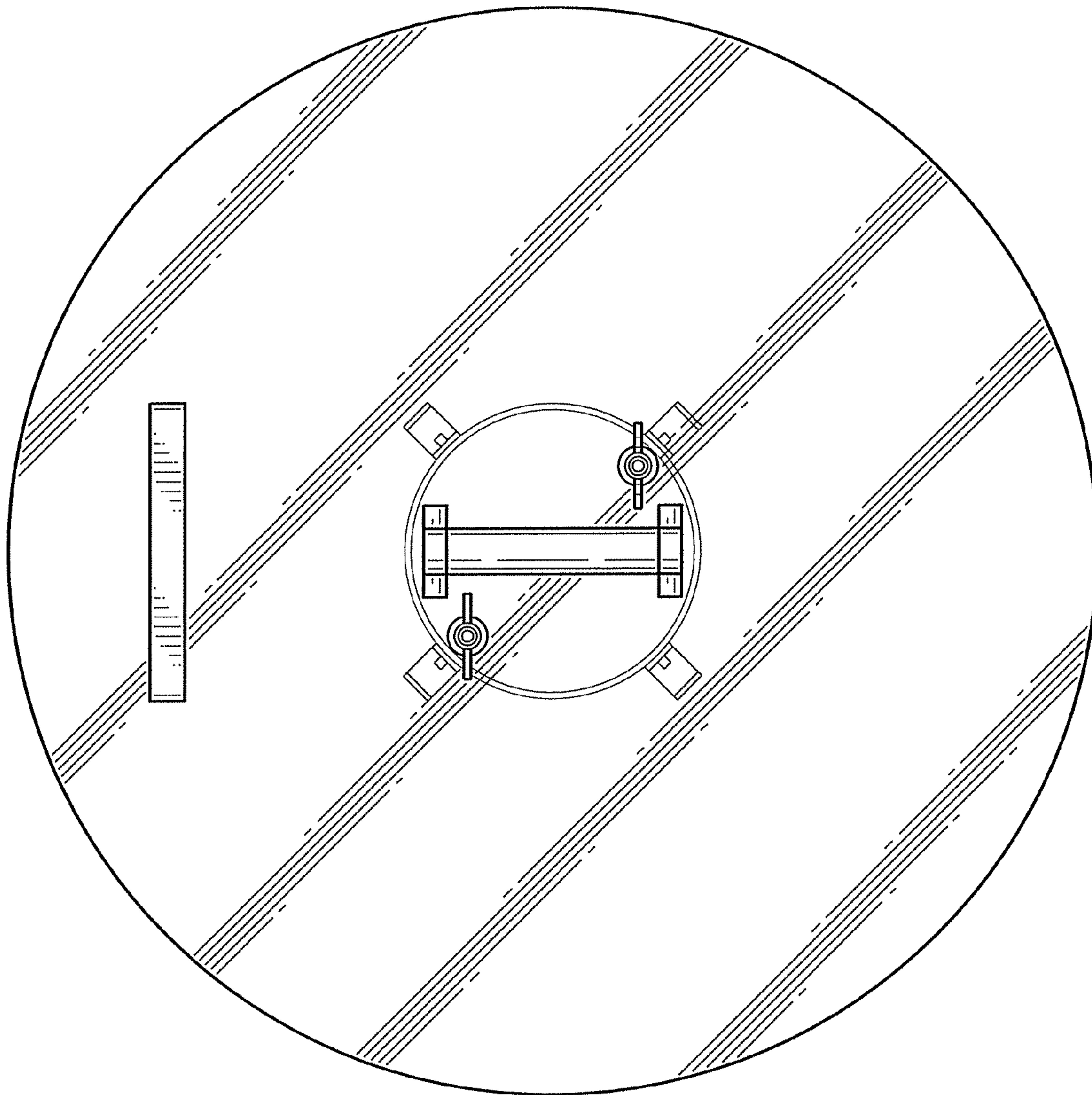


FIG-6

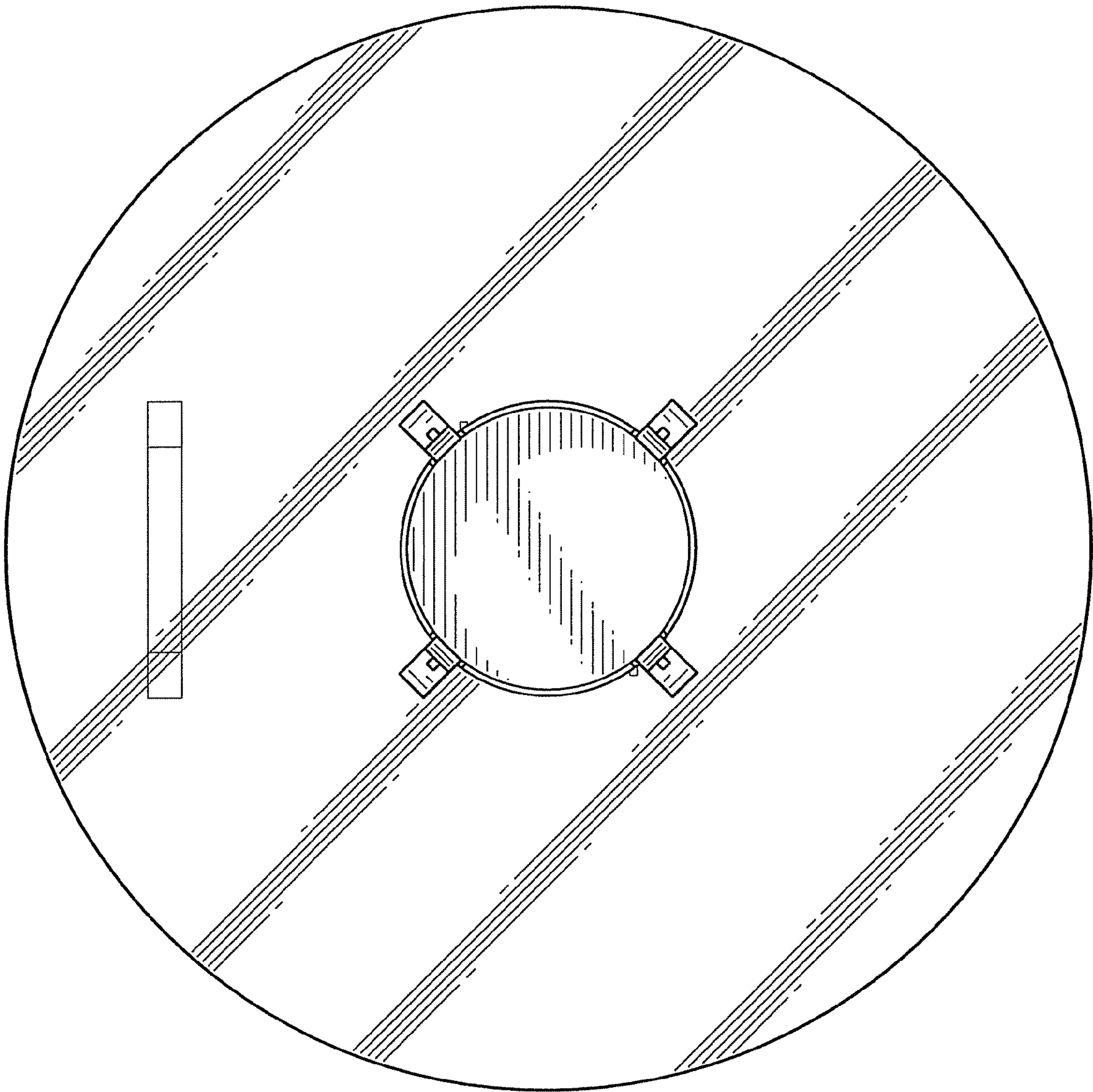


FIG-7