



US00D641605S

(12) **United States Design Patent**  
**Clayton et al.**

(10) **Patent No.:** **US D641,605 S**

(45) **Date of Patent:** **\*\* \*Jul. 19, 2011**

(54) **PALM REST**

D607,291 S \* 1/2010 Rosenau ..... D8/62  
\* cited by examiner

(76) Inventors: **Brad Smythe Clayton**, Brick, NJ (US);  
**James Edmund Clayton**, Brick, NJ  
(US)

*Primary Examiner* — Antoine D Davis  
(74) *Attorney, Agent, or Firm* — Scott H. Kaliko; Kaliko &  
Associates

(\*) Notice: This patent is subject to a terminal dis-  
claimer.

(57) **CLAIM**  
The ornamental design for a palm rest, as shown and  
described.

(\*\*) Term: **14 Years**

**DESCRIPTION**

(21) Appl. No.: **29/354,543**

(22) Filed: **Jan. 26, 2010**

(51) **LOC (9) Cl.** ..... **05-05**

(52) **U.S. Cl.** ..... **D8/70**

(58) **Field of Classification Search** ..... D8/62,  
D8/70; 173/170; 310/50; 451/344, 353,  
451/356, 357, 358, 359, 451, 456, 490, 355;  
81/57.13; 408/124

See application file for complete search history.

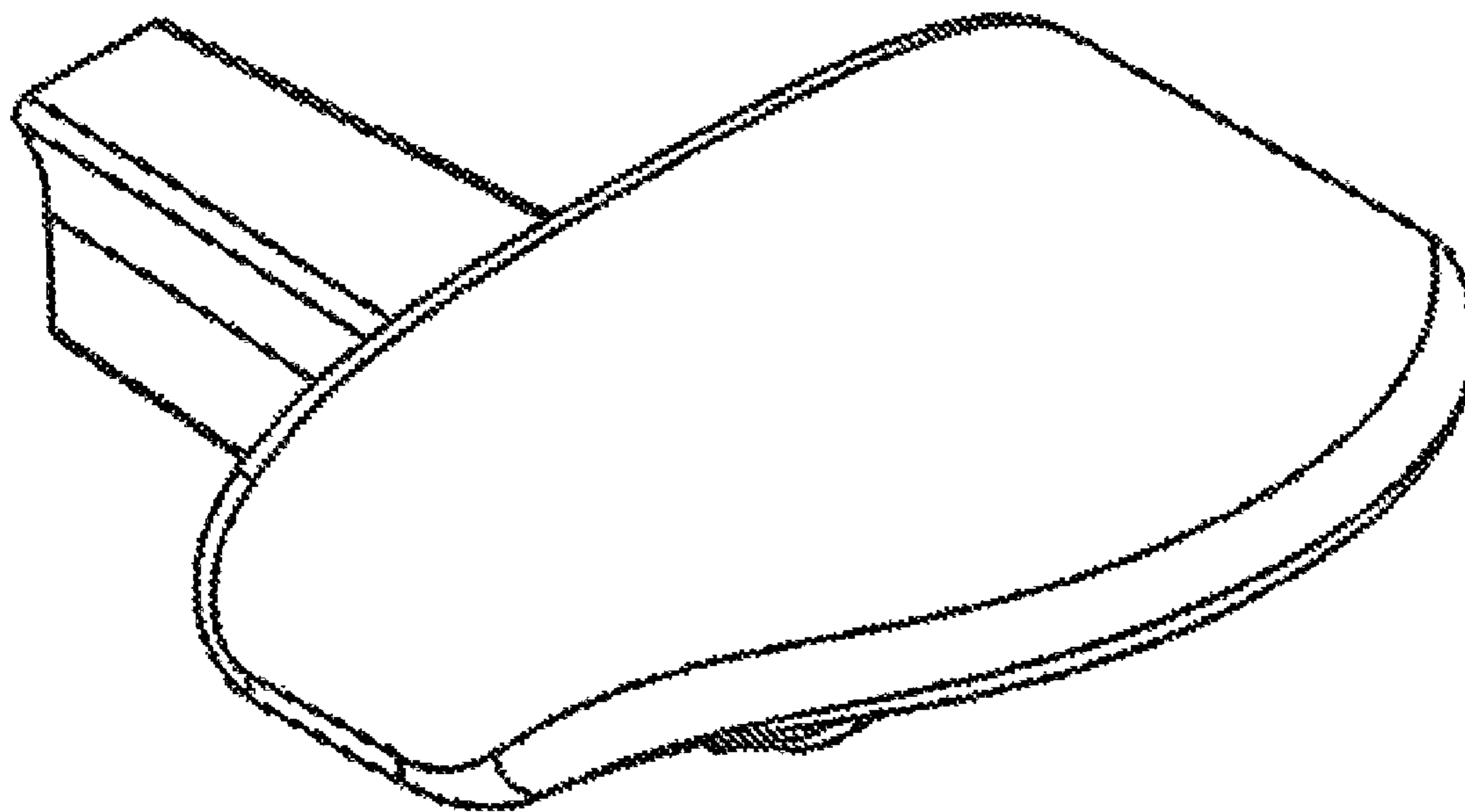
FIG. 1 is a top view of the palm rest design of the present  
invention;  
FIG. 2 is a side view of the palm rest design of the present  
invention;  
FIG. 3 is a bottom view of the palm rest design of the present  
invention;  
FIG. 4 is a front view of the palm rest design of the present  
invention;  
FIG. 5 is a front-top-side view of the palm rest design of the  
present invention; and,  
FIG. 6 is a rear-top-side view of the palm rest design of the  
present invention thereof.  
The broken line showing of a registered trademark is included  
for the purpose of illustrating non-claimed subject matter and  
forms no part of the claimed design.

(56) **References Cited**

U.S. PATENT DOCUMENTS

D570,173 S \* 6/2008 O'Hern ..... D8/62  
D585,258 S \* 1/2009 Nojiri et al. .... D8/62  
D598,725 S 8/2009 Clayton

**1 Claim, 3 Drawing Sheets**



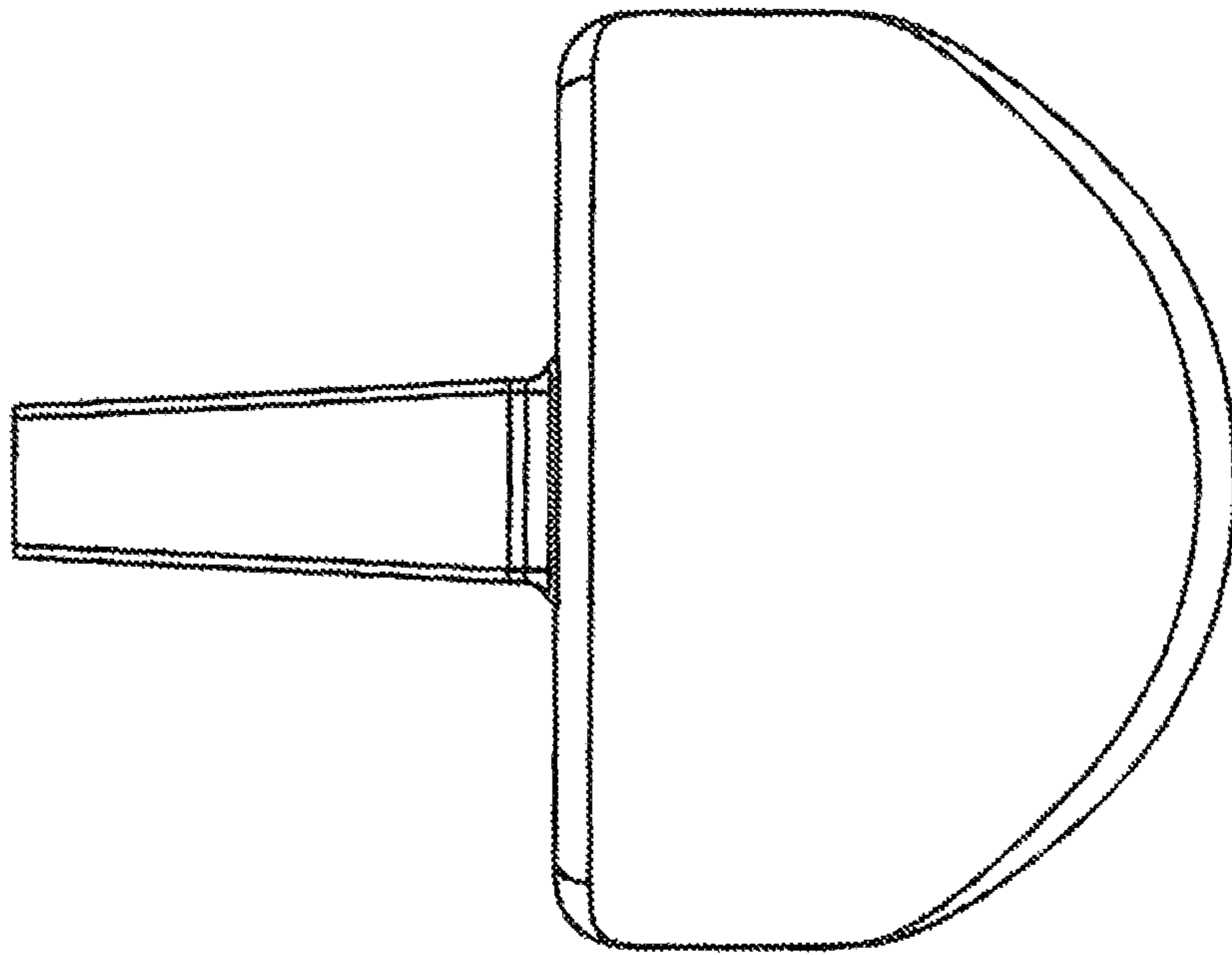


FIG. 1

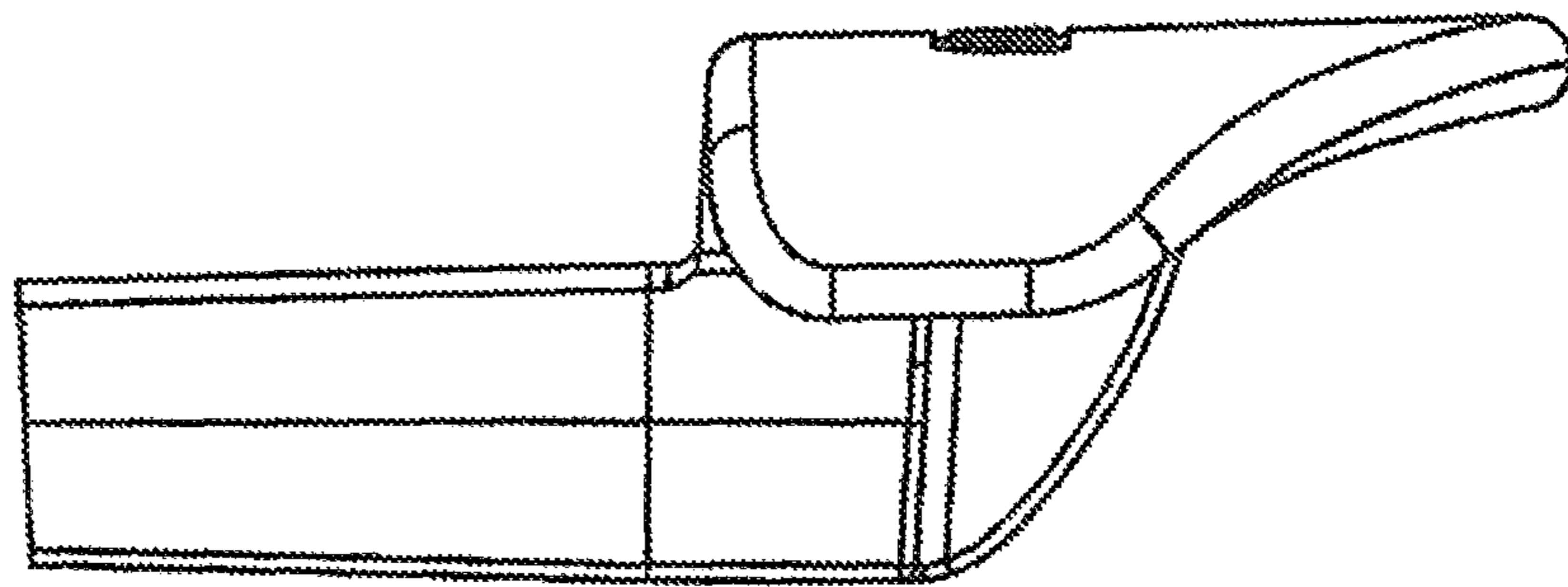


FIG. 2

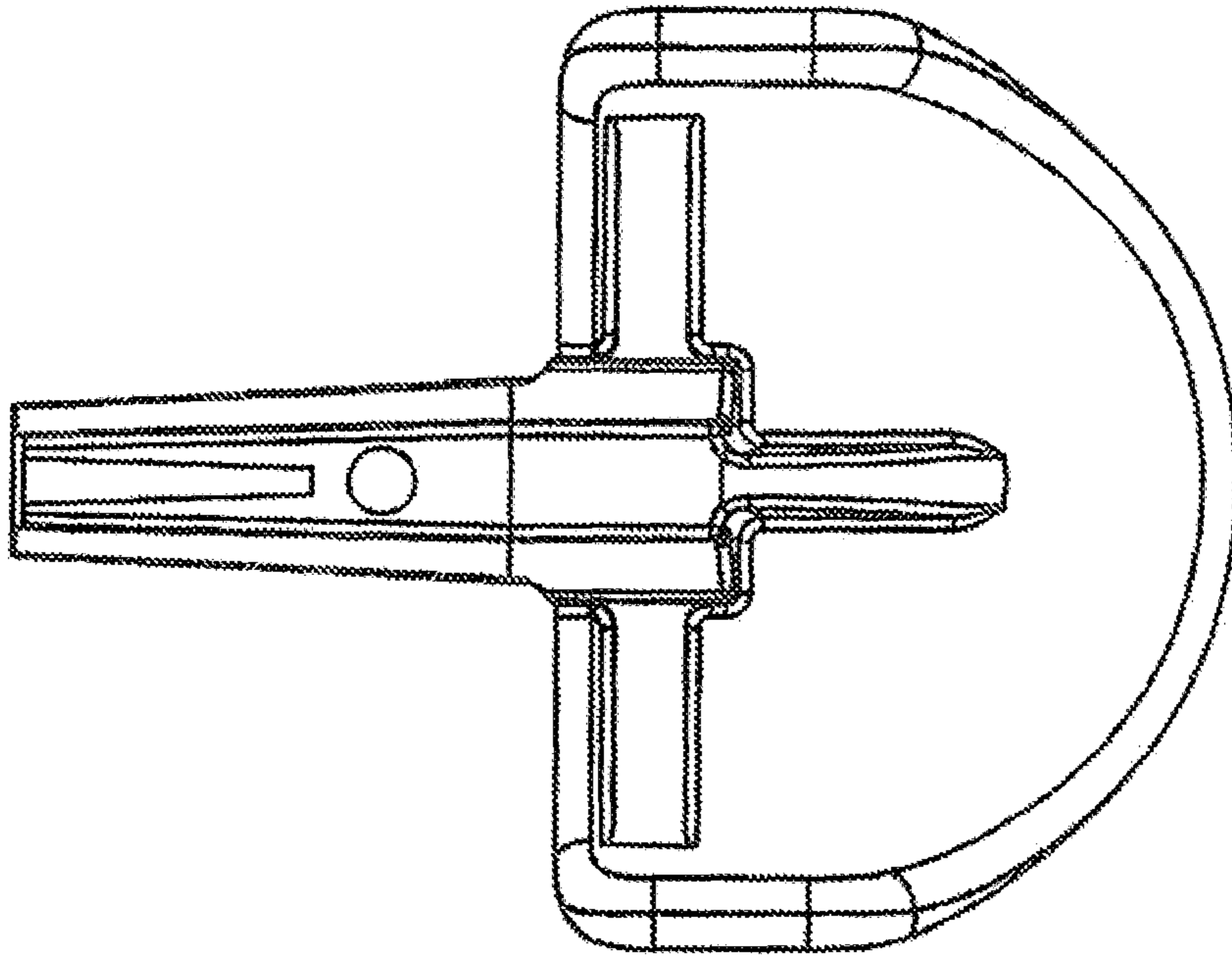


FIG. 3

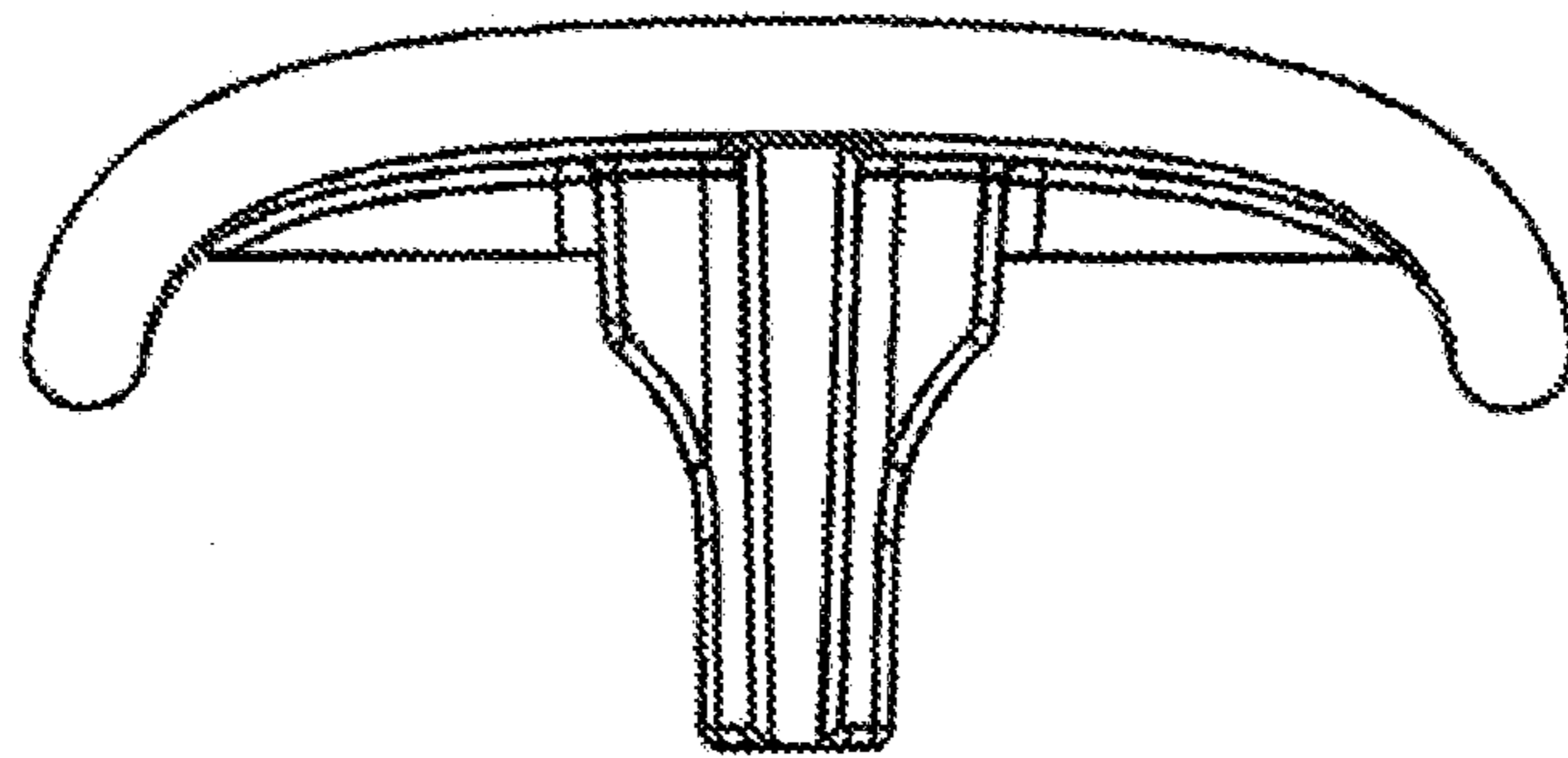


FIG. 4

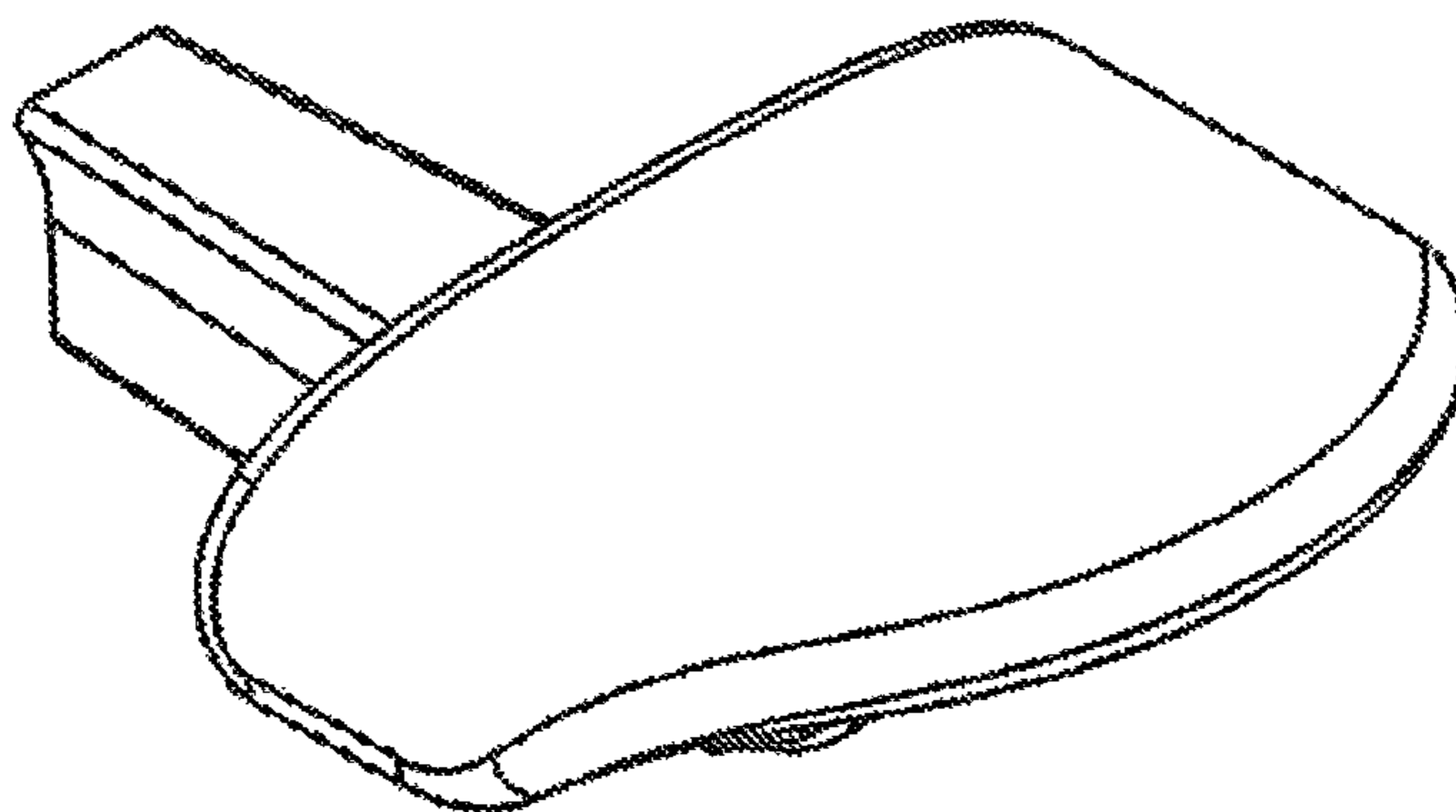


FIG. 5

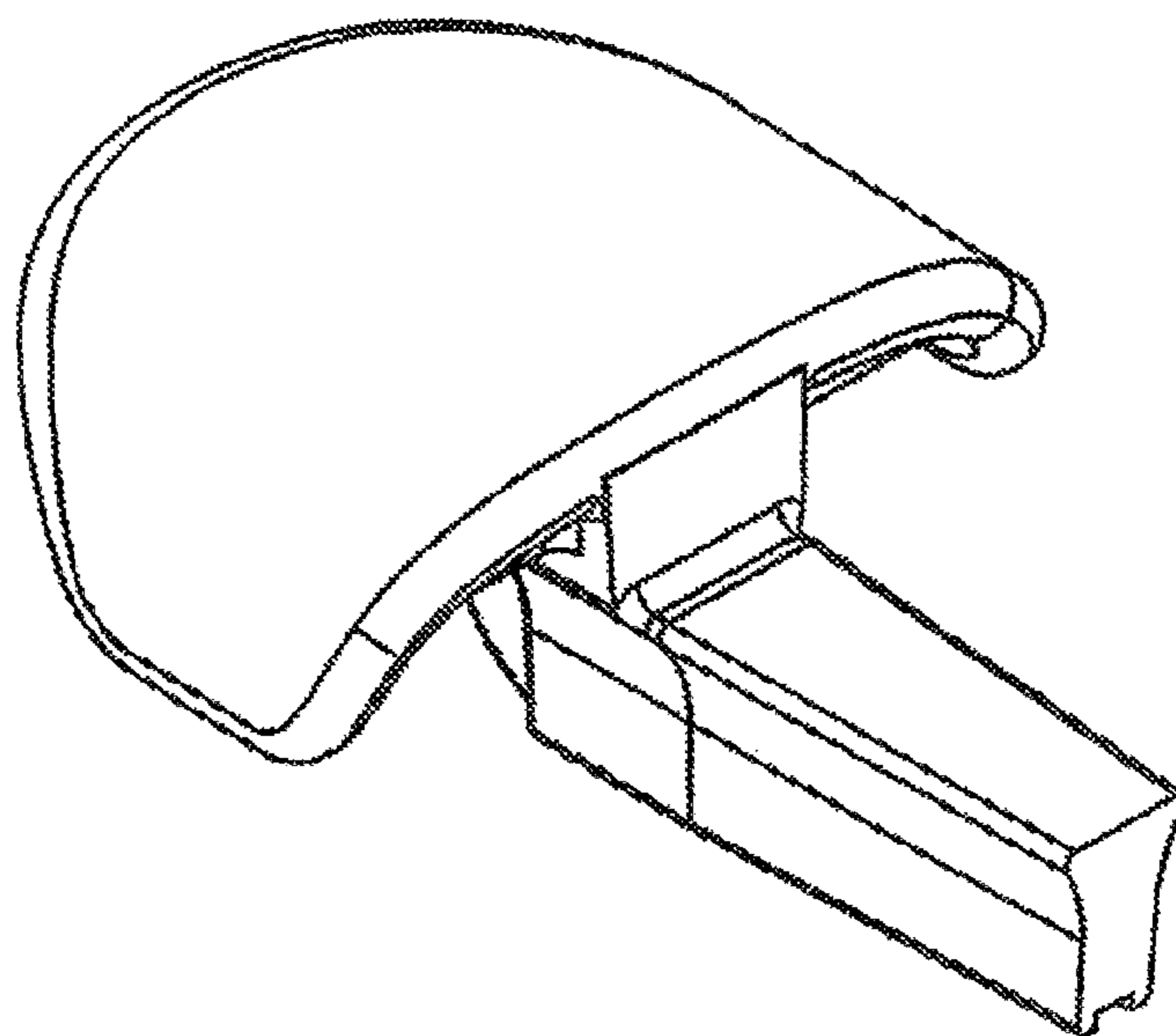


FIG. 6