



US00D641604S

(12) **United States Design Patent**
Stirm

(10) **Patent No.:** **US D641,604 S**

(45) **Date of Patent:** **** Jul. 19, 2011**

(54) **HAMMER DRILL**

(75) Inventor: **Michael Stirm**, Oberursel (DE)

(73) Assignee: **Black & Decker Inc.**, Newark, DE (US)

(**) Term: **14 Years**

(21) Appl. No.: **29/384,965**

(22) Filed: **Feb. 7, 2011**

(30) **Foreign Application Priority Data**

Aug. 12, 2010 (EP) 001229637

(51) **LOC (9) Cl.** **08-02**

(52) **U.S. Cl.** **D8/67**

(58) **Field of Classification Search** D8/61-70;
81/57.11, 54, 57.42; 173/170, 271; 74/55

See application file for complete search history.

(56) **References Cited**

U.S. PATENT DOCUMENTS

D111,005 S *	8/1938	Sperry	D8/61
D301,967 S *	7/1989	Sakamoto et al.	D8/67
D329,794 S *	9/1992	Graham	D8/68
D343,345 S *	1/1994	Ogawa et al.	D8/69

D411,426 S *	6/1999	Morita	D8/69
D447,677 S *	9/2001	Stirm	D8/69
D570,174 S *	6/2008	Stirm	D8/67
D580,250 S *	11/2008	Strim	D8/67
D603,674 S *	11/2009	Werner	D8/67
7,624,815 B2 *	12/2009	Friedrich et al.	173/205
7,726,413 B2 *	6/2010	Berghauser et al.	173/171

* cited by examiner

Primary Examiner — Austin Murphy

(74) *Attorney, Agent, or Firm* — Kofi Schulerbrandt; Scott B. Markow; Adan Ayala

(57) **CLAIM**

The ornamental design for a hammer drill, as shown and described.

DESCRIPTION

FIG. 1 is a left/front perspective view of a dust extractor showing my new design.

FIG. 2 is a front view thereof.

FIG. 3 is a rear view thereof.

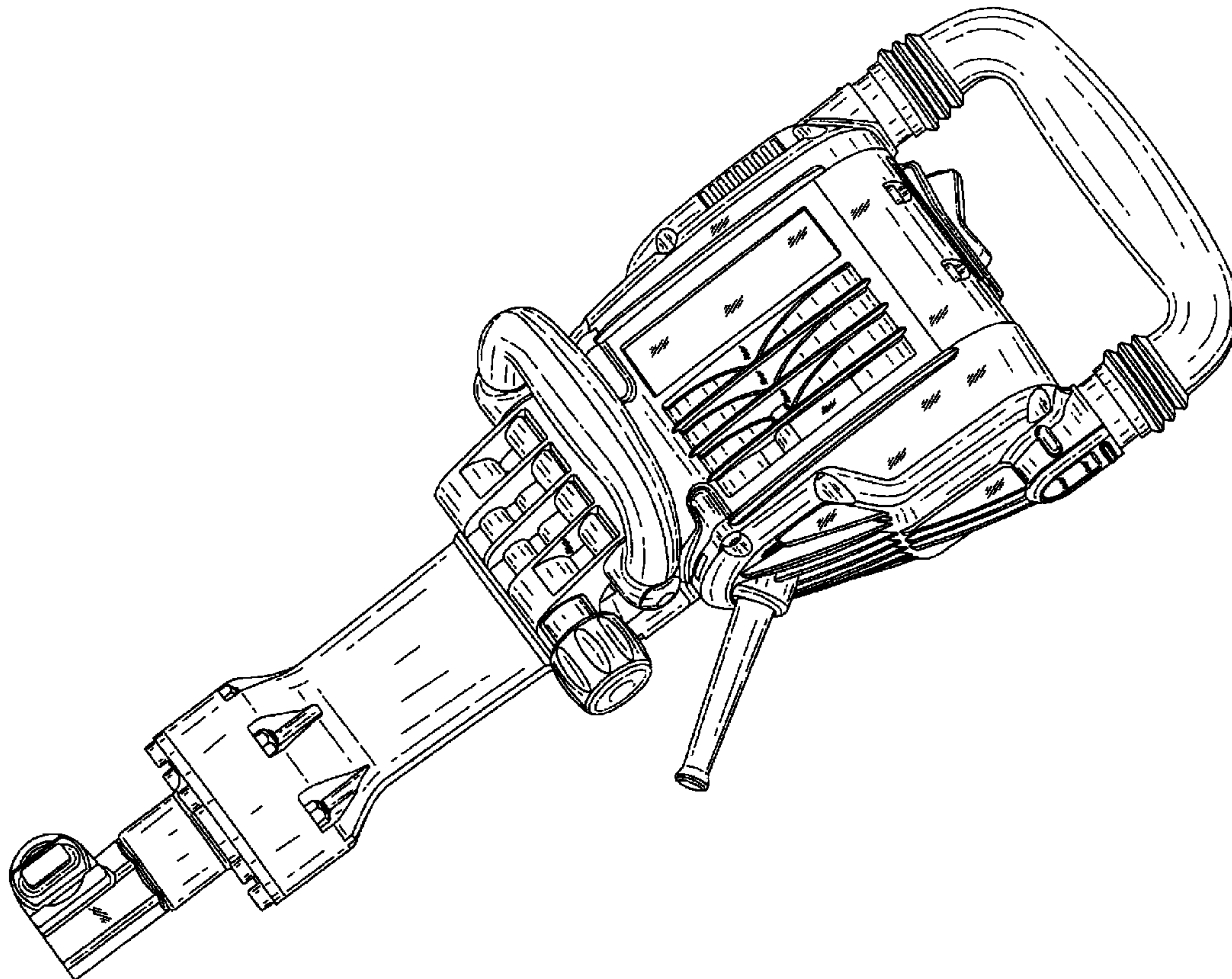
FIG. 4 is a right side view thereof.

FIG. 5 is a left side view thereof.

FIG. 6 is a bottom view thereof; and,

FIG. 7 is a top view thereof.

1 Claim, 6 Drawing Sheets



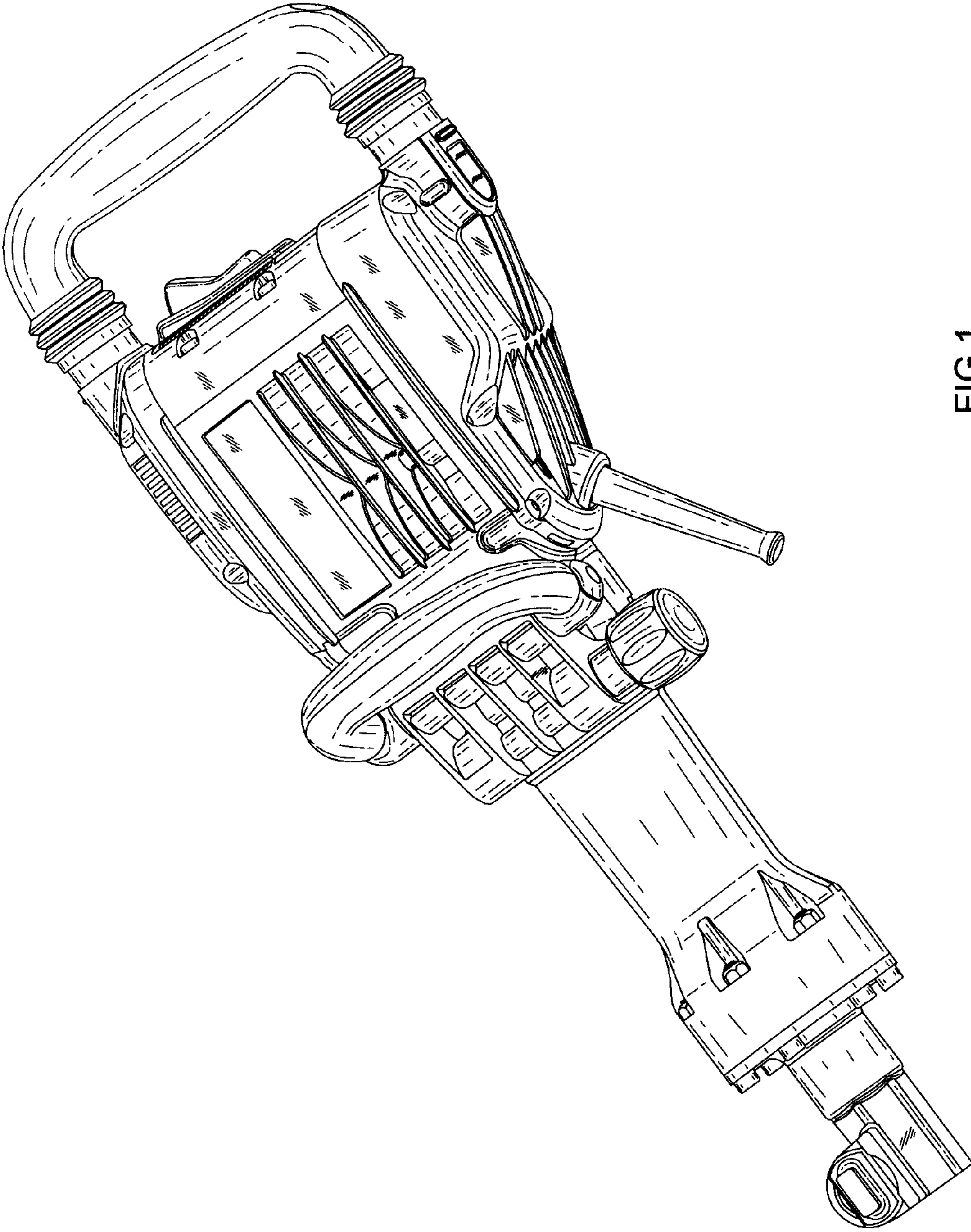


FIG.1

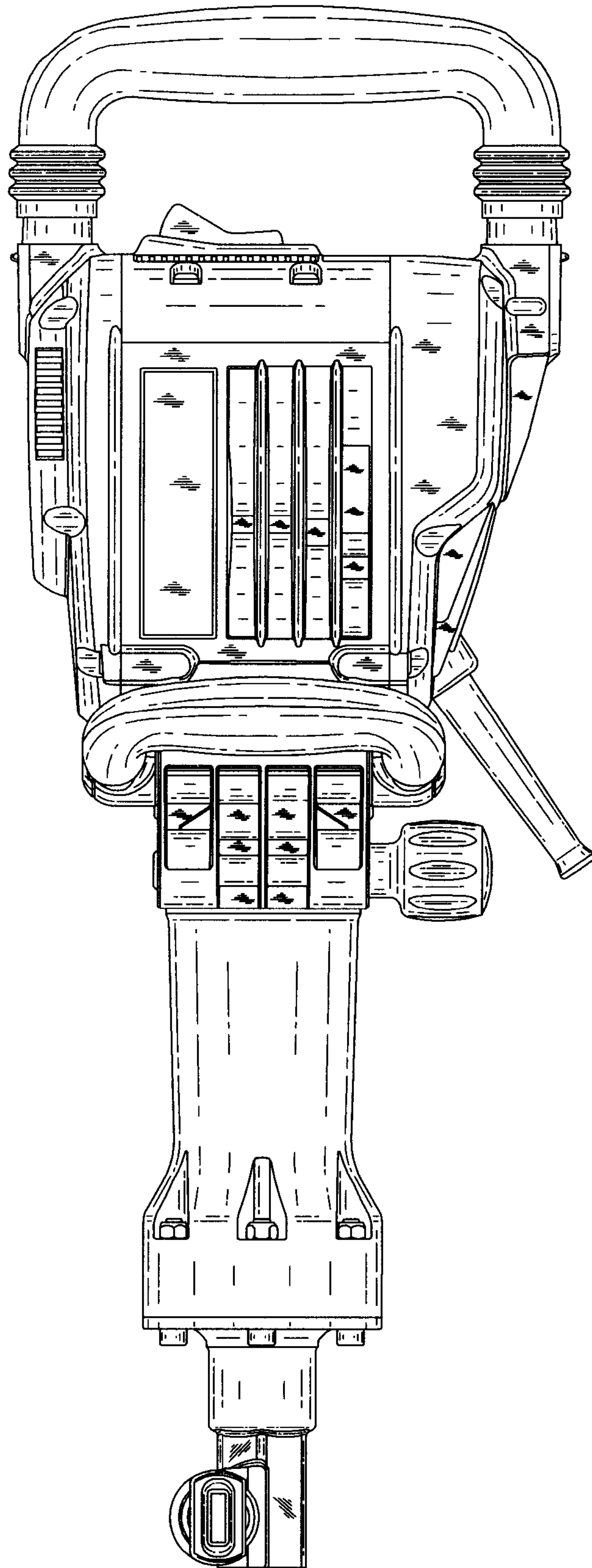


FIG.2

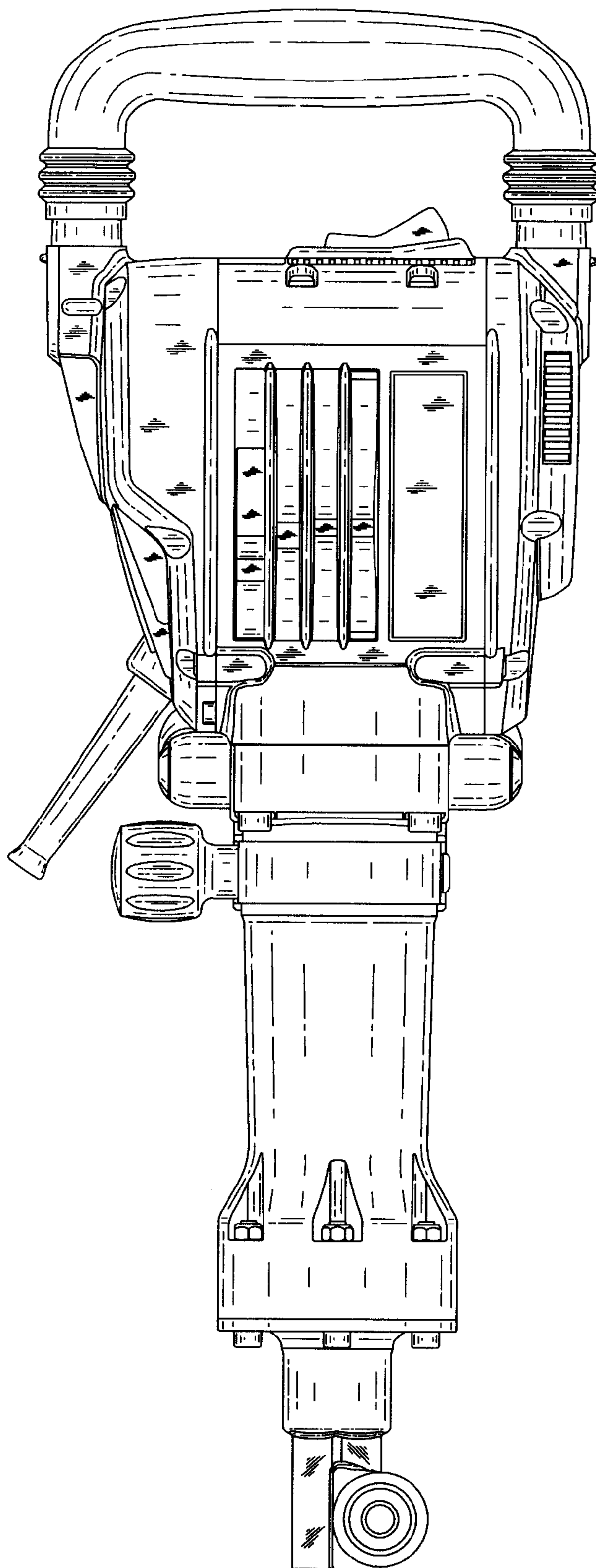


FIG.3

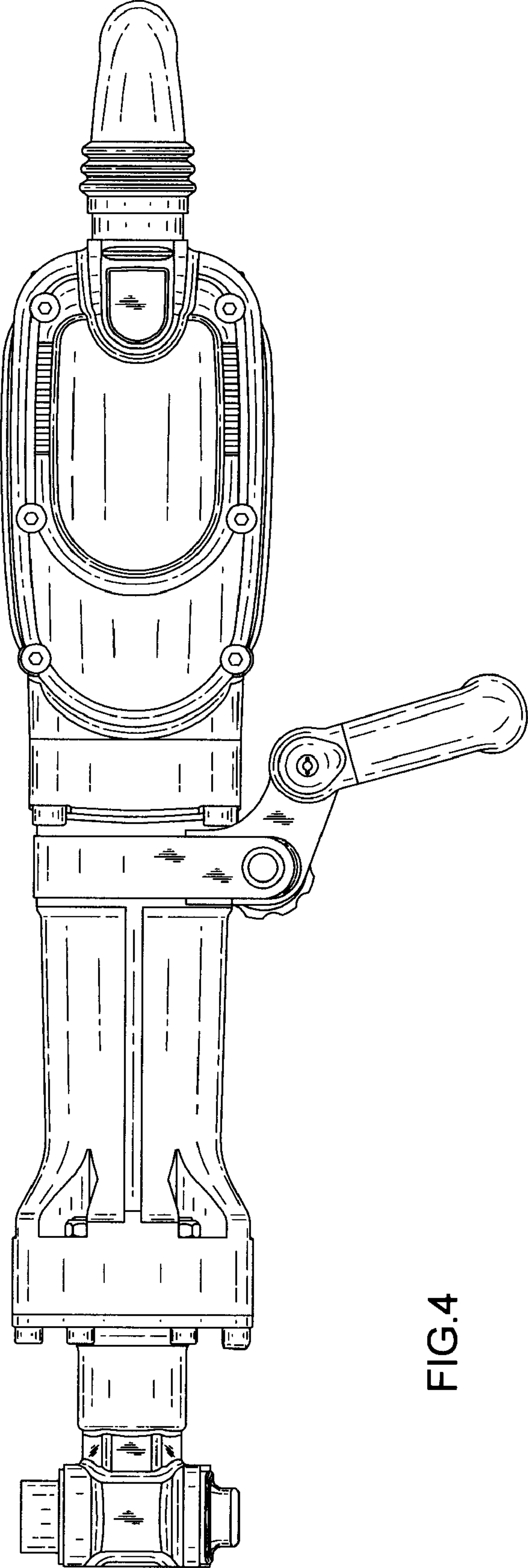


FIG.4

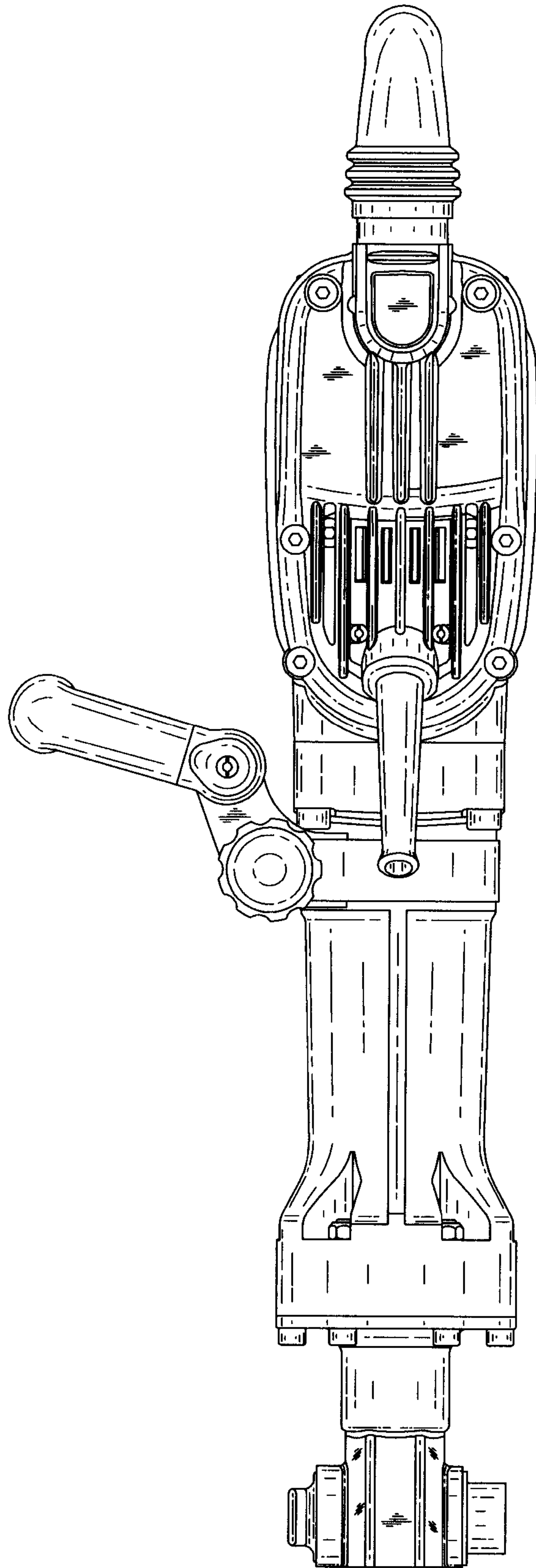


FIG.5

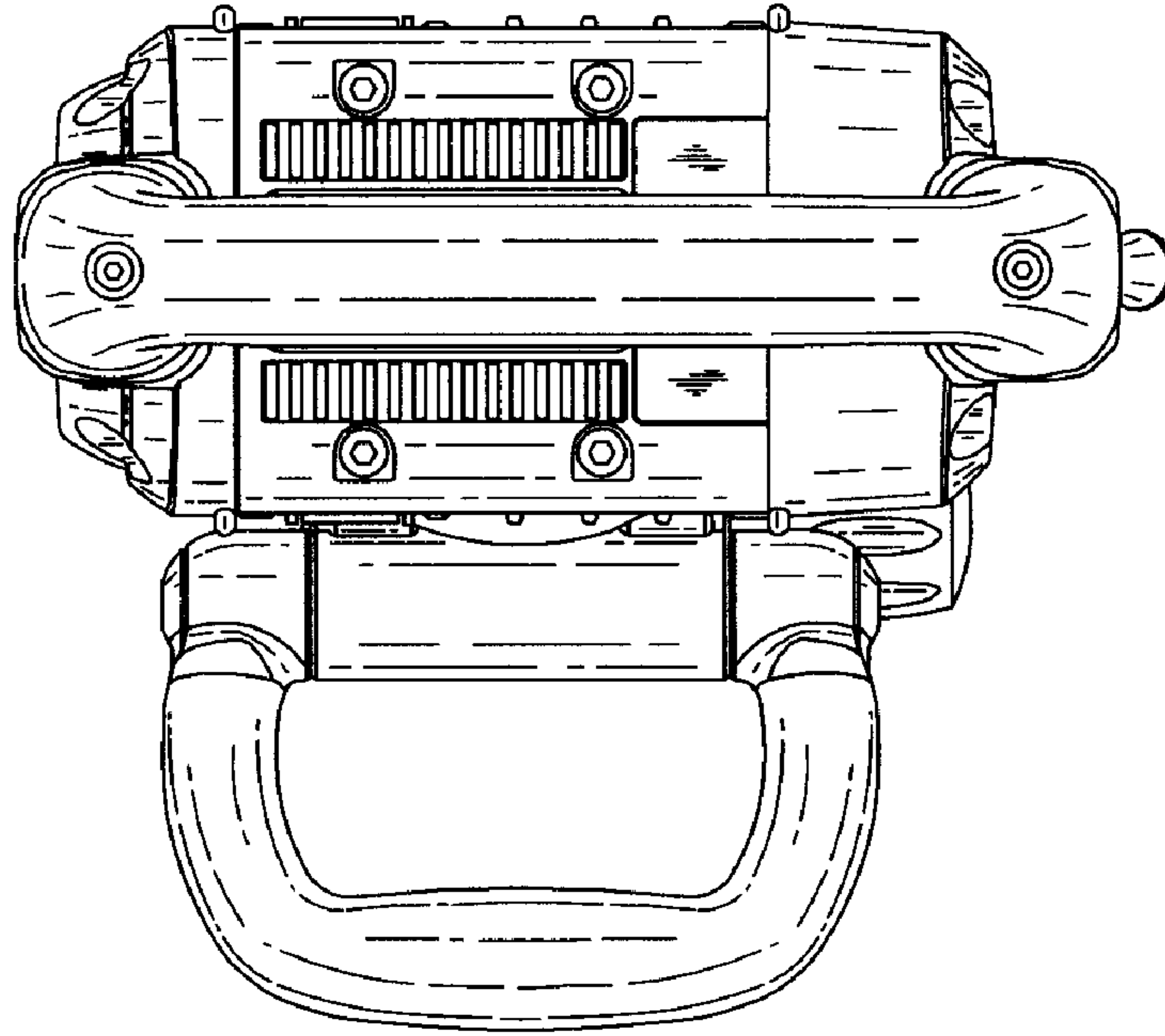


FIG.7

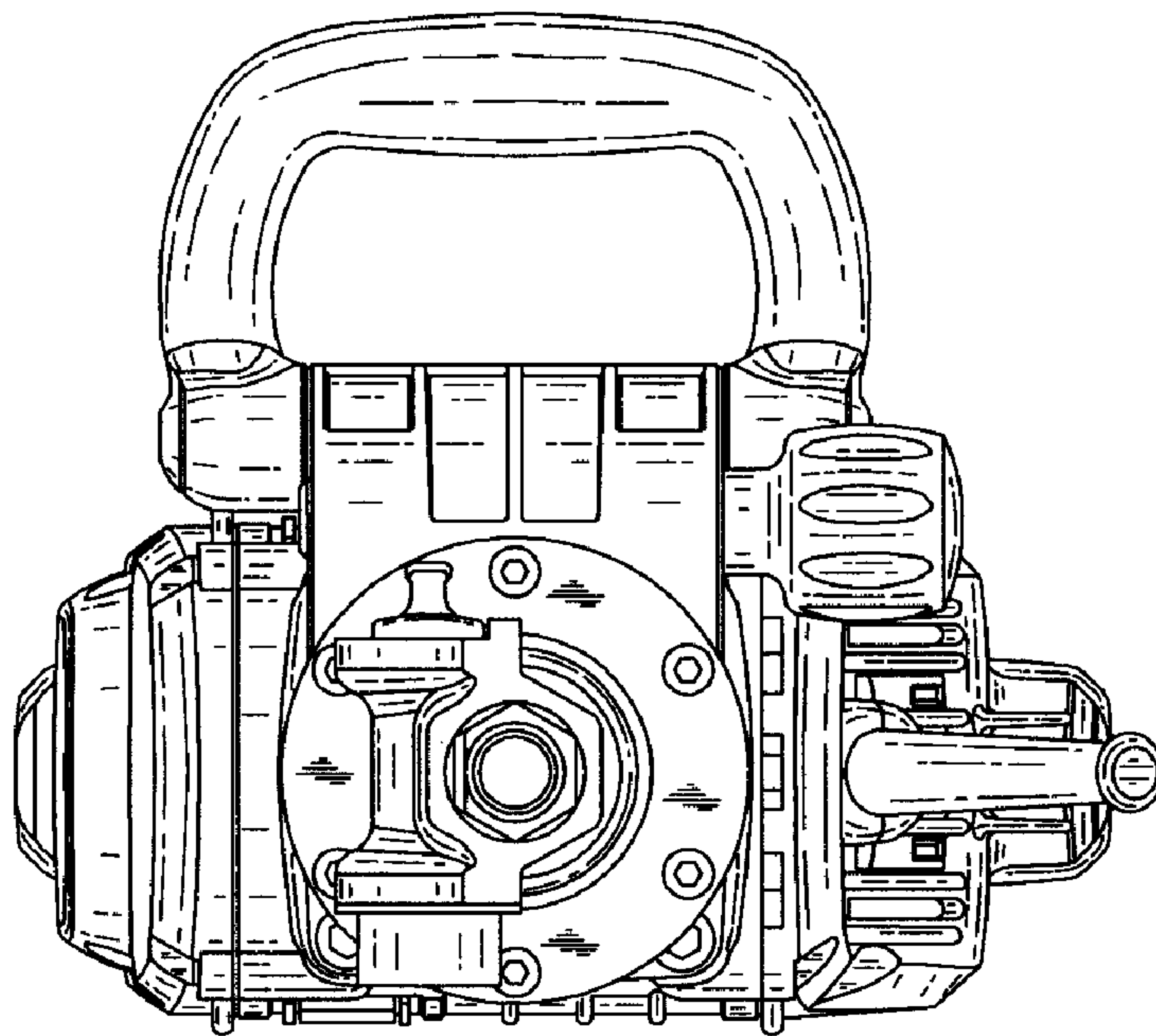


FIG.6