



US00D641602S

(12) **United States Design Patent**
Snelgar

(10) **Patent No.:** **US D641,602 S**

(45) **Date of Patent:** **** Jul. 19, 2011**

(54) **STAPLE-FREE STAPLER**
(75) Inventor: **Cameron Snelgar**, North Vancouver (CA)
(73) Assignee: **Carry Heijman**, Vancouver, British Columbia (CA)

(**) Term: **14 Years**

(21) Appl. No.: **29/384,969**

(22) Filed: **Feb. 7, 2011**

(51) **LOC (9) Cl.** **19-02**

(52) **U.S. Cl.** **D8/49**

(58) **Field of Classification Search** D8/49,
D8/50; D19/72; 227/120, 126, 127, 128,
227/131, 132, 134, 156; D21/499; 434/211
See application file for complete search history.

(56) **References Cited**

U.S. PATENT DOCUMENTS

D149,441 S * 4/1948 Peterson D8/50
D161,423 S * 1/1951 Claffin D21/499
D254,977 S * 5/1980 Villwock et al. D8/50
D304,416 S * 11/1989 Tanigami D8/49
D310,950 S * 10/1990 Olesen et al. D8/49

D334,327 S * 3/1993 Hiromori D8/50
D455,784 S * 4/2002 FitzGerald D19/65
D498,801 S * 11/2004 Cochrane D21/707
D516,888 S * 3/2006 Harris et al. D8/50
D535,168 S * 1/2007 Hattori D8/50
7,713,060 B1 * 5/2010 Ichino 434/211

* cited by examiner

Primary Examiner — Austin Murphy

(74) *Attorney, Agent, or Firm* — Sheema Khan; Miltons IP/p.i.

(57) **CLAIM**

I claim the ornamental design of a staple-free stapler, as shown and described.

DESCRIPTION

FIG. 1 is a perspective view of the staple-free stapler; FIG. 2 is a top view of the staple-free stapler of FIG. 1; FIG. 3 is a front view of the staple-free stapler of FIG. 1; FIG. 4 is a bottom view of the staple-free stapler of FIG. 1; FIG. 5 is a rear view of the staple-free stapler of FIG. 1; FIG. 6 is a left side view of the staple-free stapler of FIG. 1; and, FIG. 7 is a right side view of the staple-free stapler of FIG. 1.

1 Claim, 7 Drawing Sheets

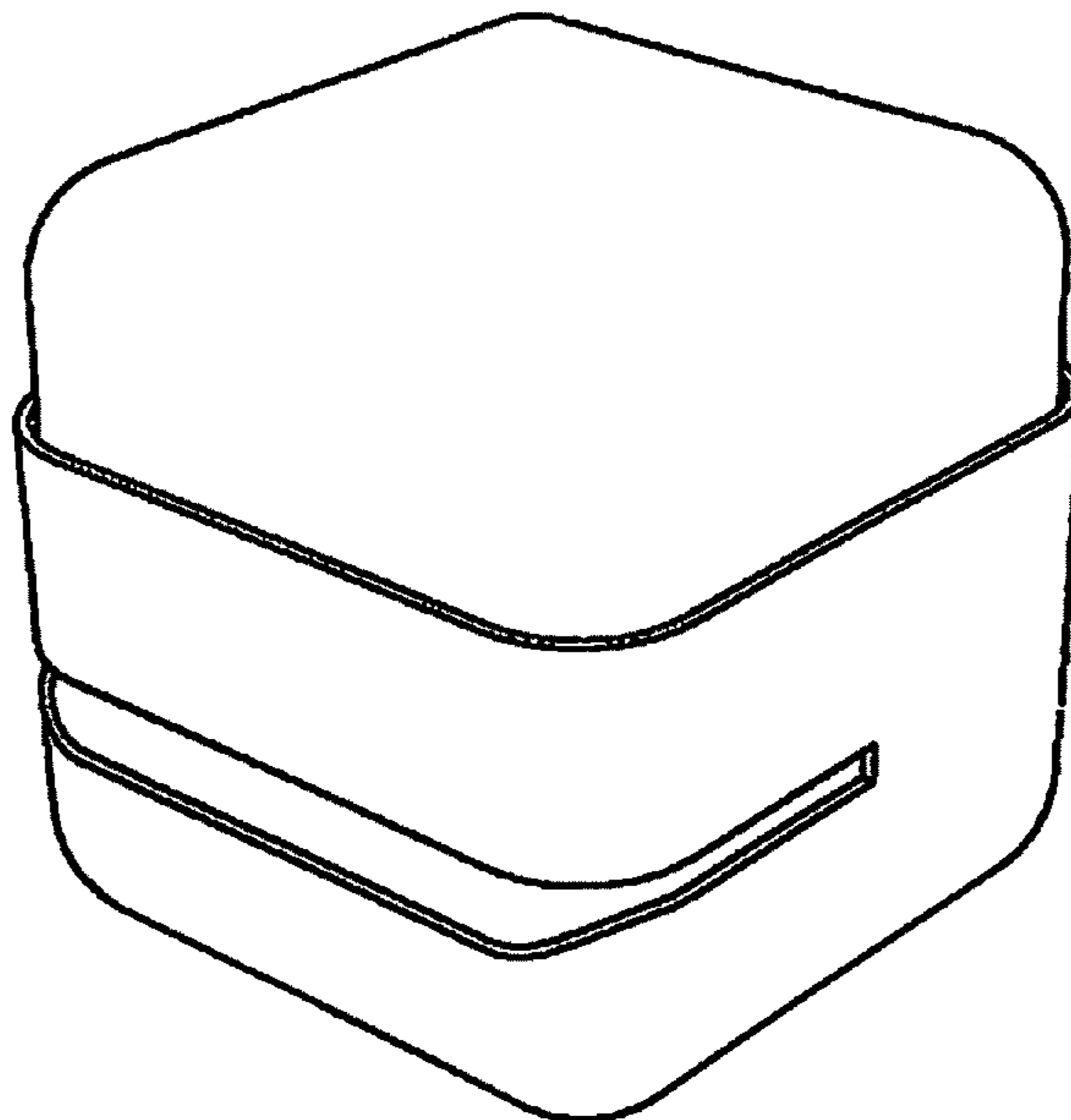


FIG. 1

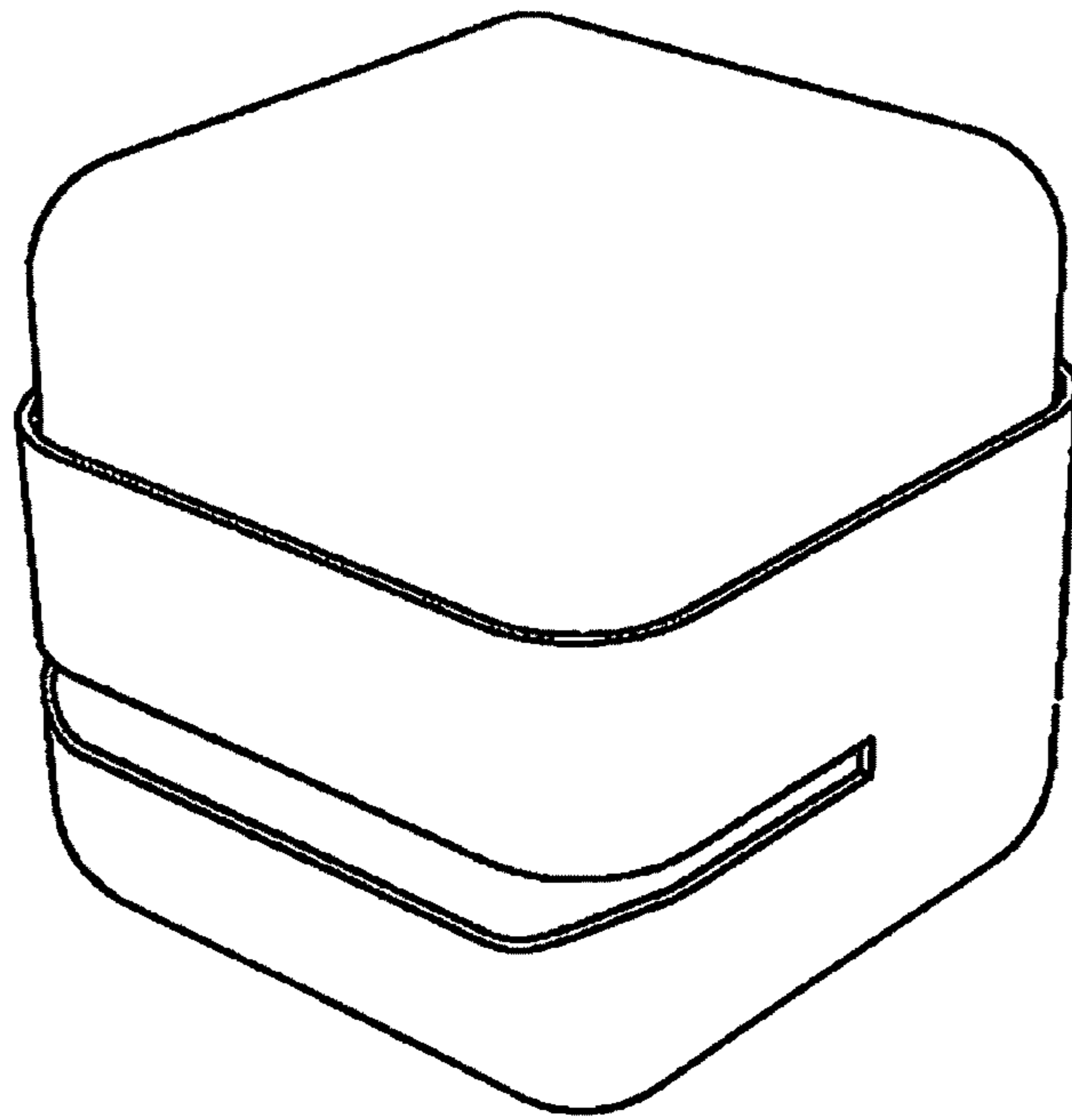


FIG. 2

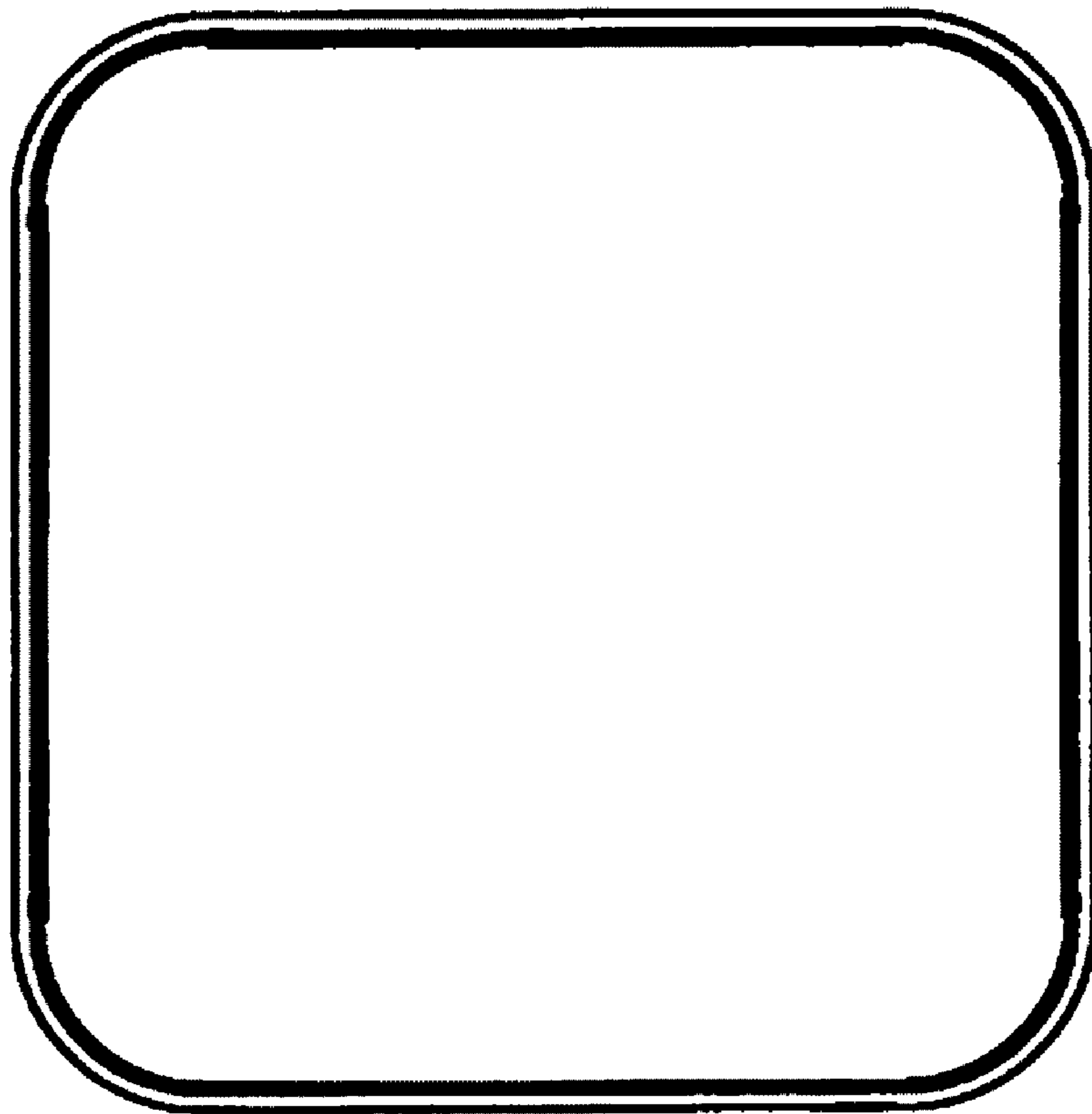


FIG. 3

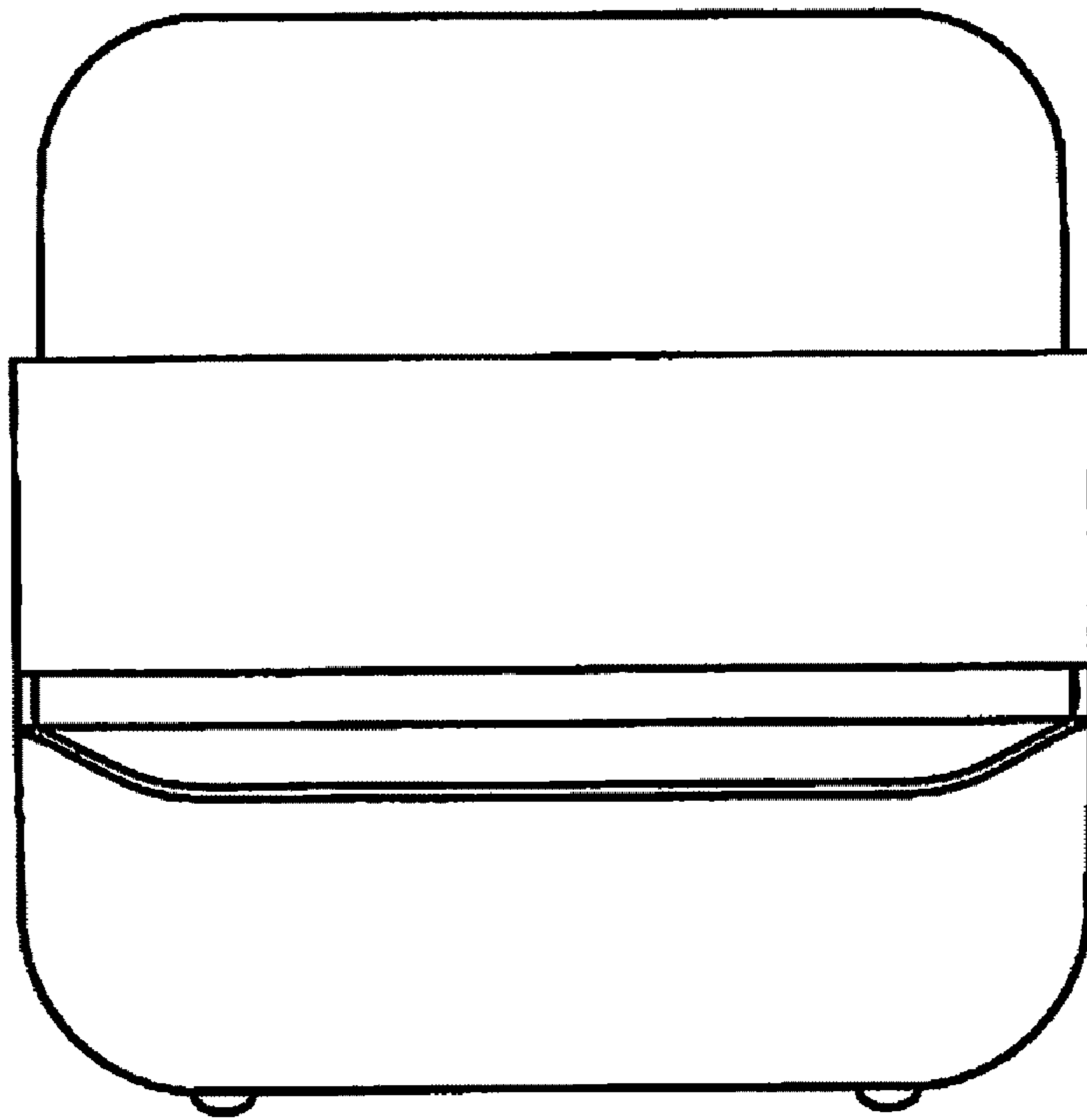


FIG. 4

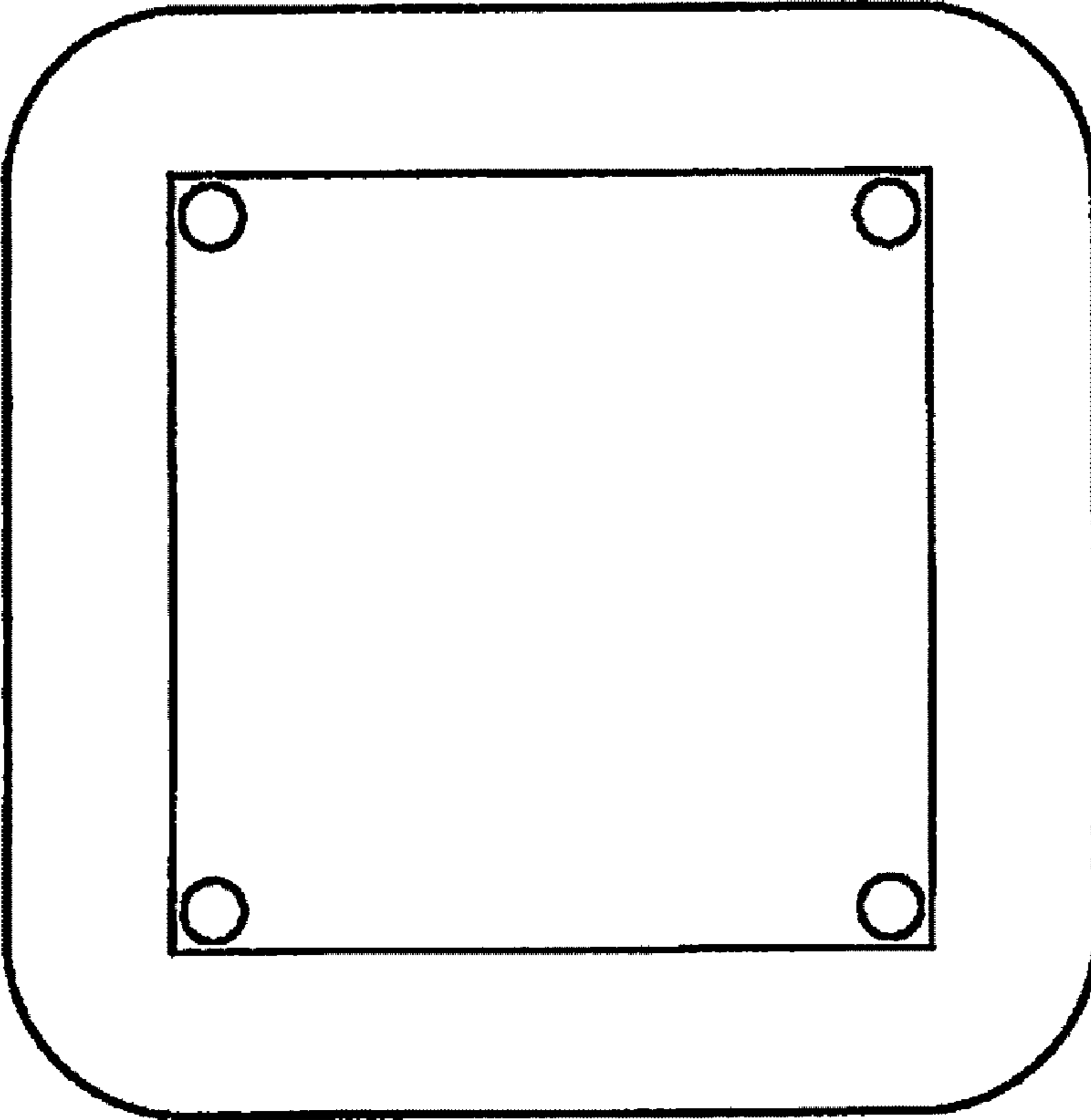


FIG. 5

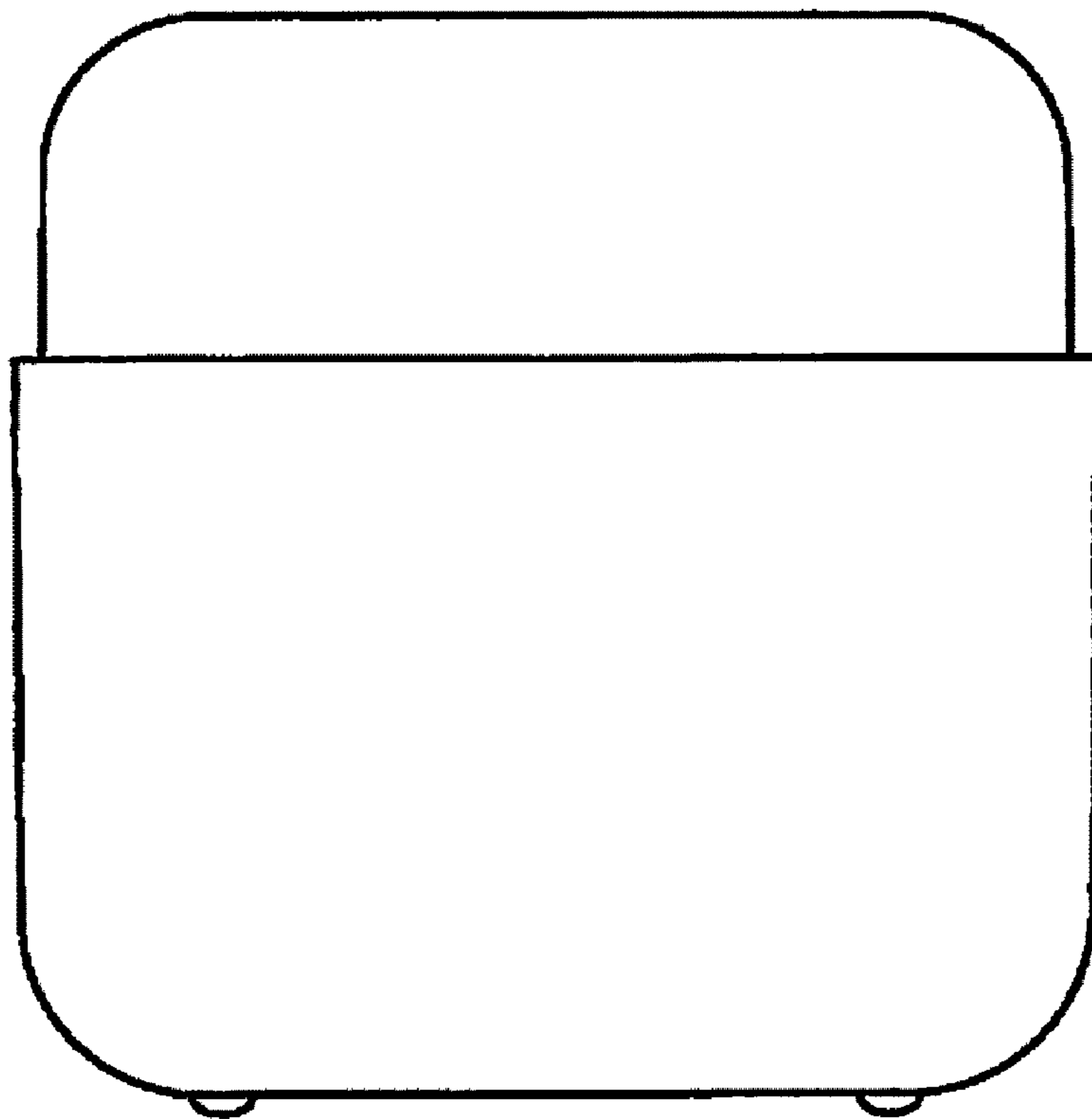


FIG. 6

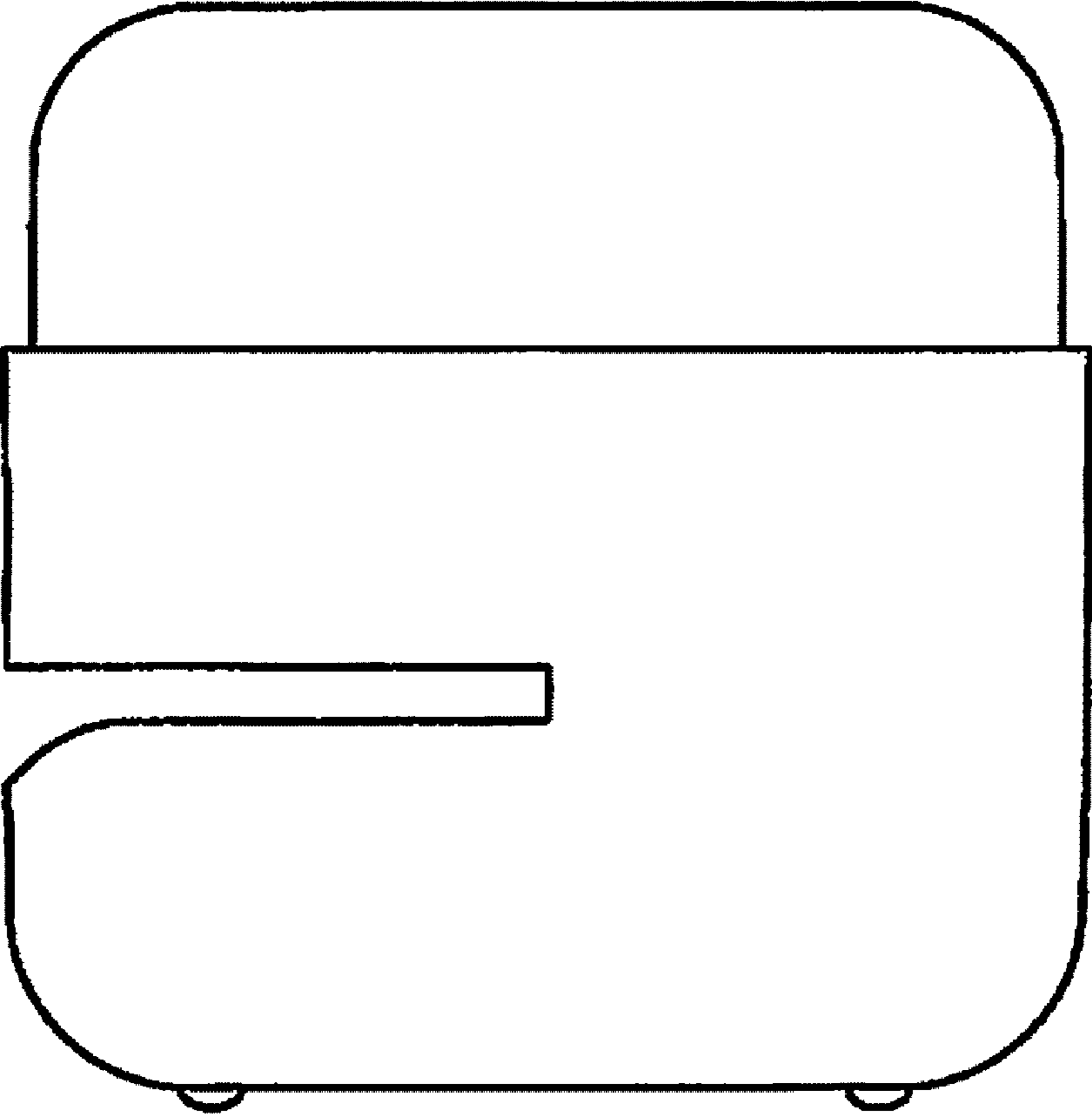


FIG. 7

